



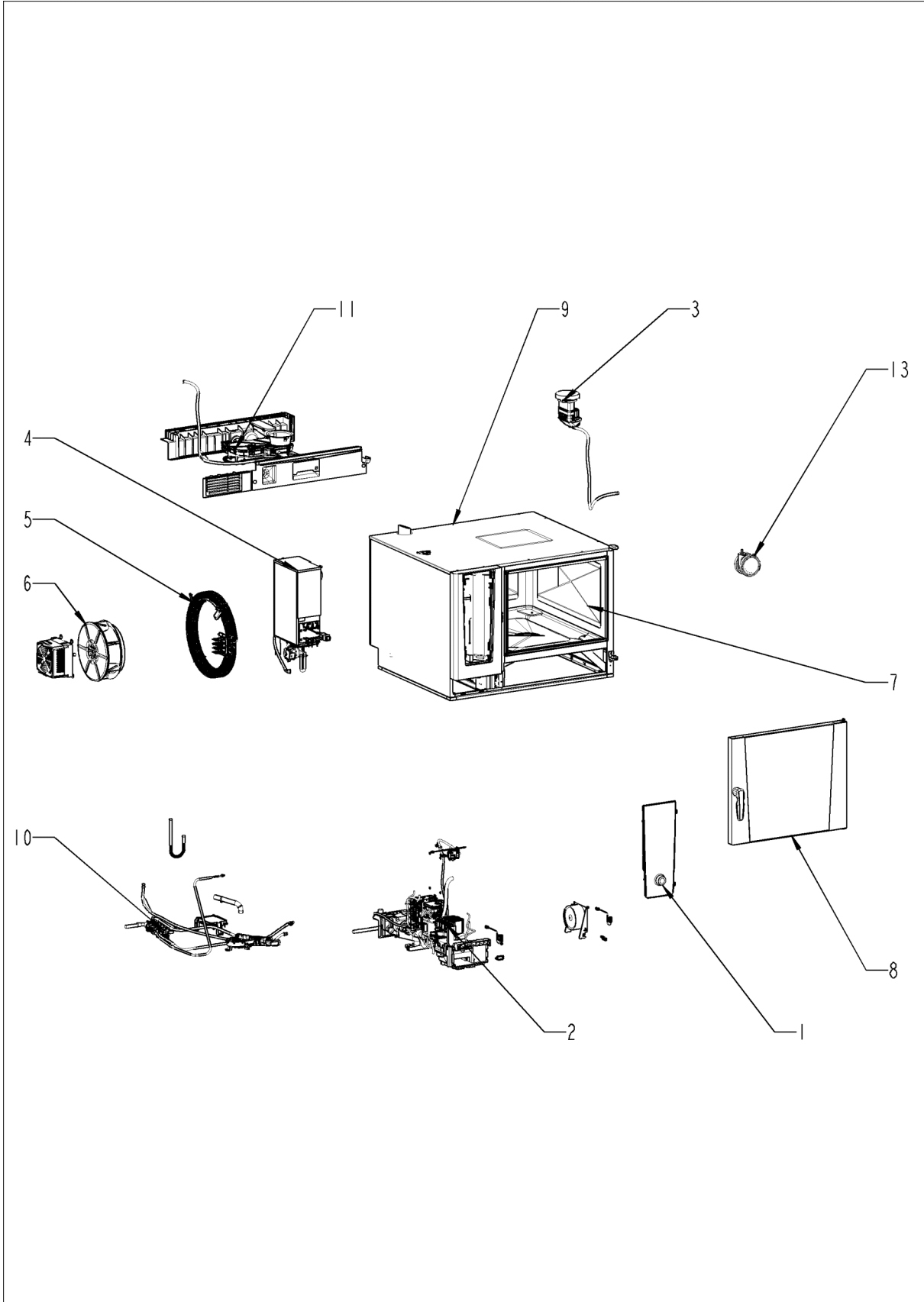
# Service part catalogue

iCombi® ab 03/2020 62 - 6 x 2/1 Gastronorm

E62MJ2005



# Overview

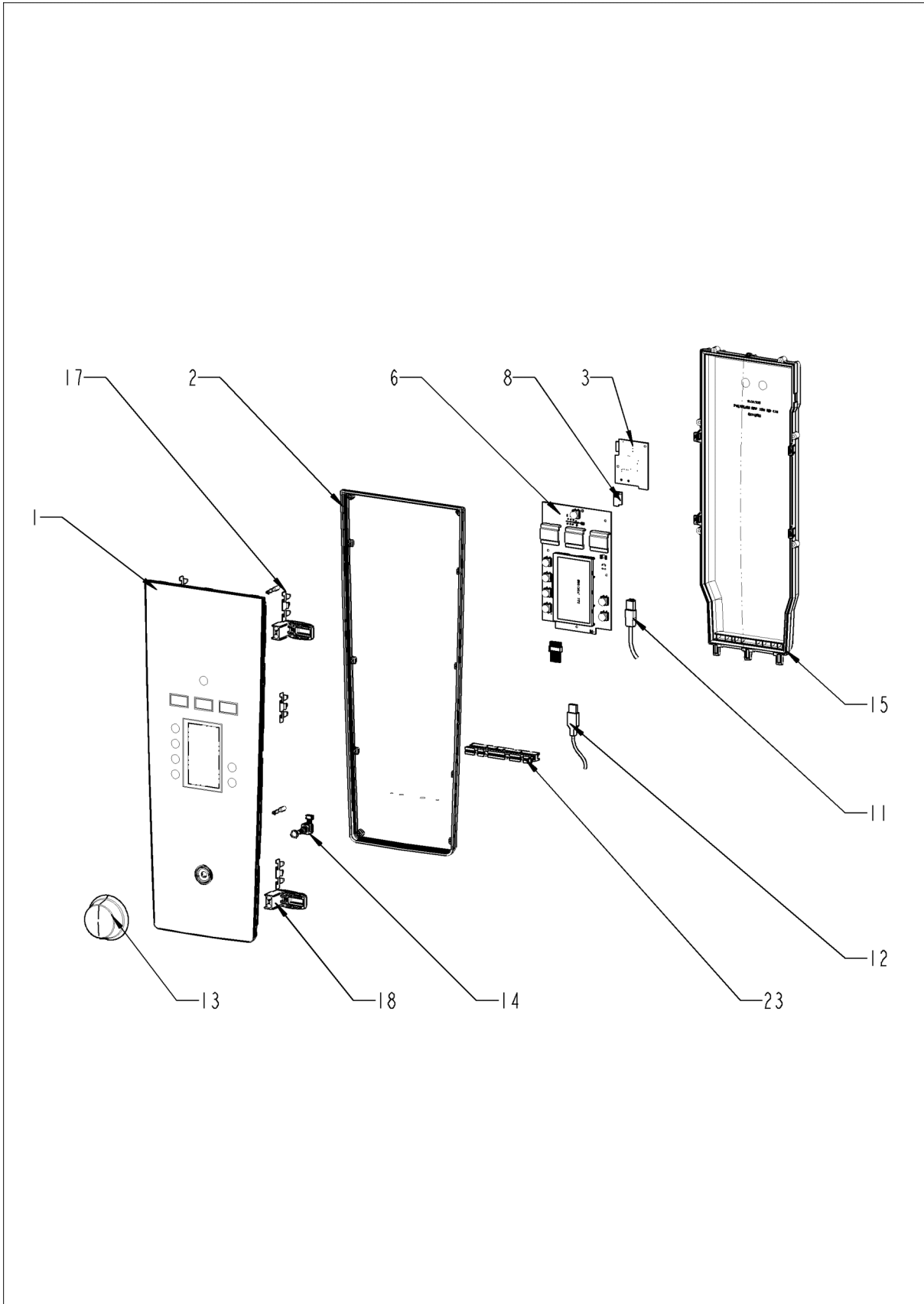


---

## Overview

<b>Pos.</b>	<b>Assembly</b>	<b>Page</b>
1	Control panel .....	4
2	Electrical installation .....	6
3	ClimaPlus .....	12
4	Steam generator .....	14
5	Hot air heating .....	16
6	Motor and fan wheel .....	18
7	Interior cabinet .....	20
8	Door .....	22
9	Exterior cabinet .....	26
10	Water .....	30
11	CleanJet + Care .....	32
13	Standard accessory .....	34

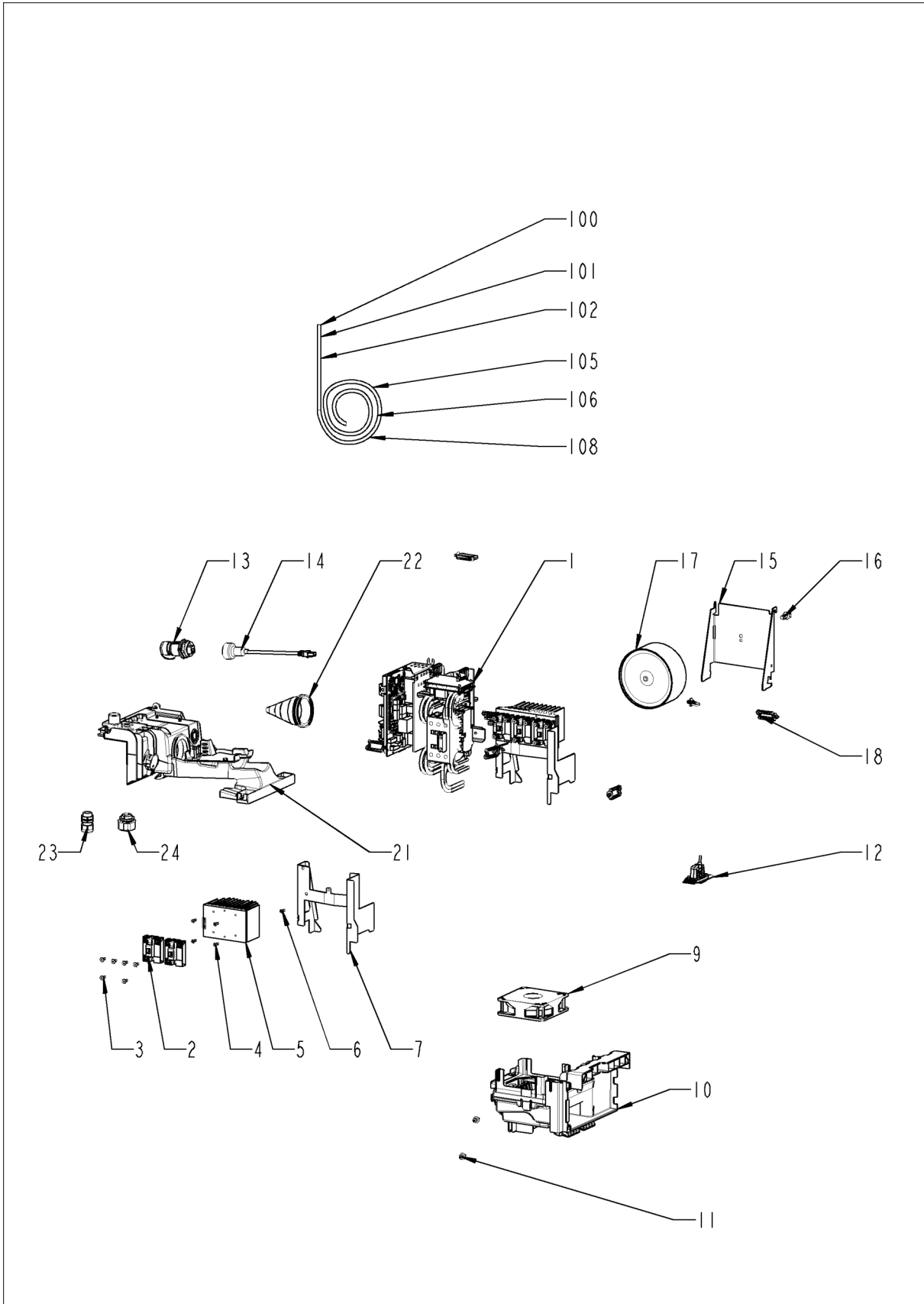
## Control panel



## Control panel

Pos.	Part no.	Description	Qty.
1	87.01.536S	Front panel with overlay *RAT*	1
2	16.03.342P	Sealing f. panel insert	1
6	42.00.292P	Control pcb (w/o Eeprom)	1
8	42.00.293P	External memory	1
11	40.06.044P	USB socket with cable	1
12	40.06.409P	Interface cable LAN 1.5m	1
13	16.03.752P	Dial f. pulse generator	1
14	40.06.037P	Pulse generator	1
15	16.03.735P	Cover f. control pcb w. gasket	1
17	16.03.748P	Metal cramp f. panel insert	6
18	16.03.749P	Hook for parking position	2
23	16.04.062P	Sealing block	1
23	16.03.701P	Sealing block LAN	1

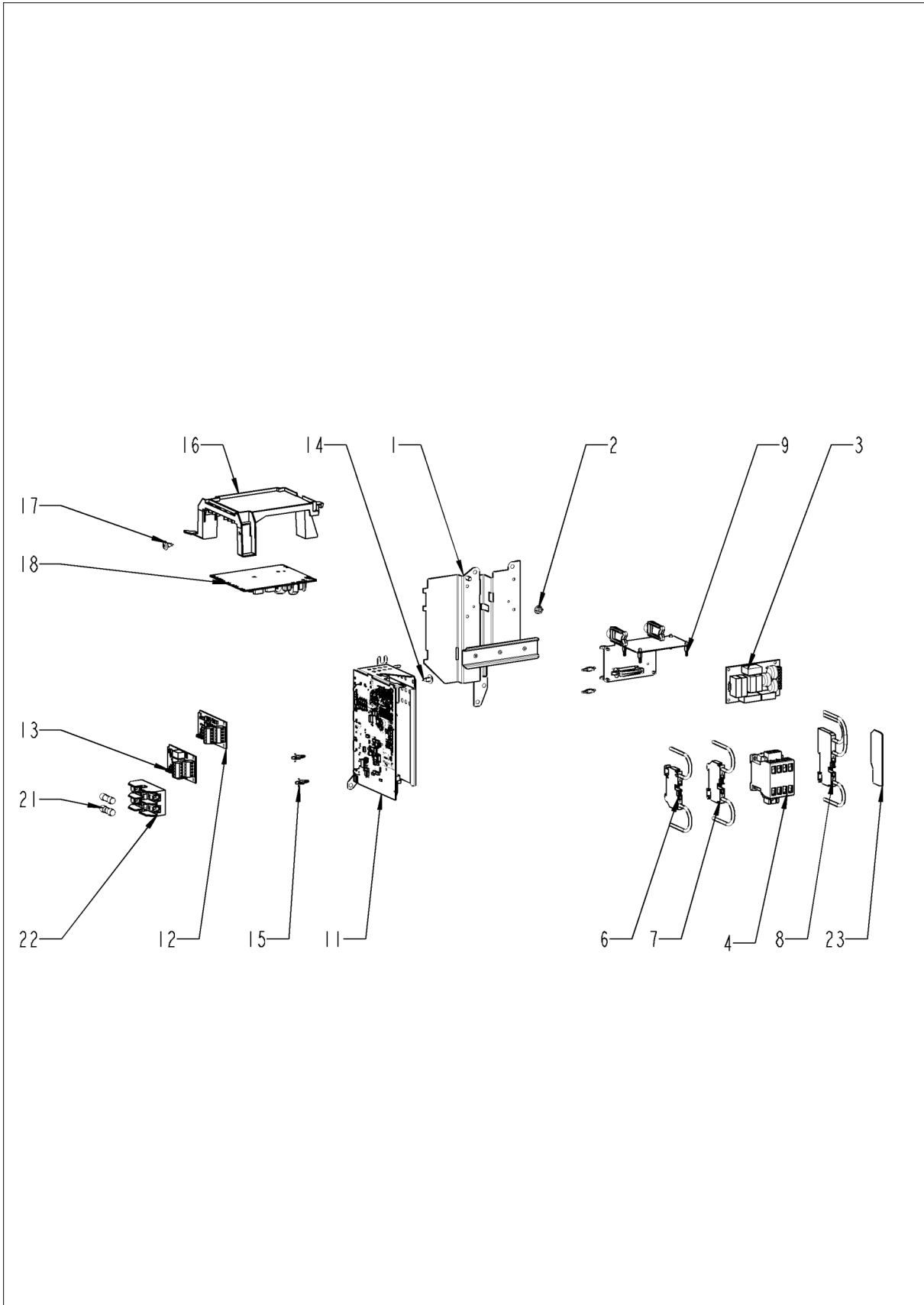
# Electrical installation



## Electrical installation

Pos.	Part no.	Description	Qty.
1		Electrical installation	1
2	40.00.453P	Solid state relais	2
3	10.01.266P	Pan head screw Torx T20 10,5mm	5
4	10.01.776P	Pan head screw Torx T20 M4x12	4
5	40.03.932P	Heat sink big 2 SSR	1
6	10.01.776P	Pan head screw Torx T20 M4x12	1
7	40.06.074P	Mounting device heat sink SSR	1
9	40.05.993P	Cooling fan	1
10	40.06.565P	Air shaft cpl.	1
11	10.00.989P	Rivet with screw	1
12	40.06.043P	Interface USB	1
15	40.05.968P	Mounting support power transformer	1
16	1008.0769P	Ornamental screw M8x30	1
18	40.06.878P	Cable holder	7
21	87.01.620S	Cable entry	1
22	40.00.391S	Cable bushing f. cable entry	1
23	40.00.320S	Cable gland M20x1.5	1
24	40.04.495P	Cable connection M25 ø5mm *divisible*	1
100	40.06.058P	Cable control harness	1
101	40.06.625P	Pump harness	1
102	40.06.624P	Cable harness base	1
108	40.06.250P	Cable, Care pump	1
112	40.06.740P	Power supply cable 5x4 mm <sup>2</sup> 3m	1
114	40.05.895P	Bus cable 1.16m	1
115	40.05.858P	Bus cable 1.08m	1
116	40.05.858P	Bus cable 1.08m	1
129	40.07.451P	Cable hot air probe - eSTB	1
130	40.07.453P	Cable, steam probe - eSTB	1

# Electrical installation

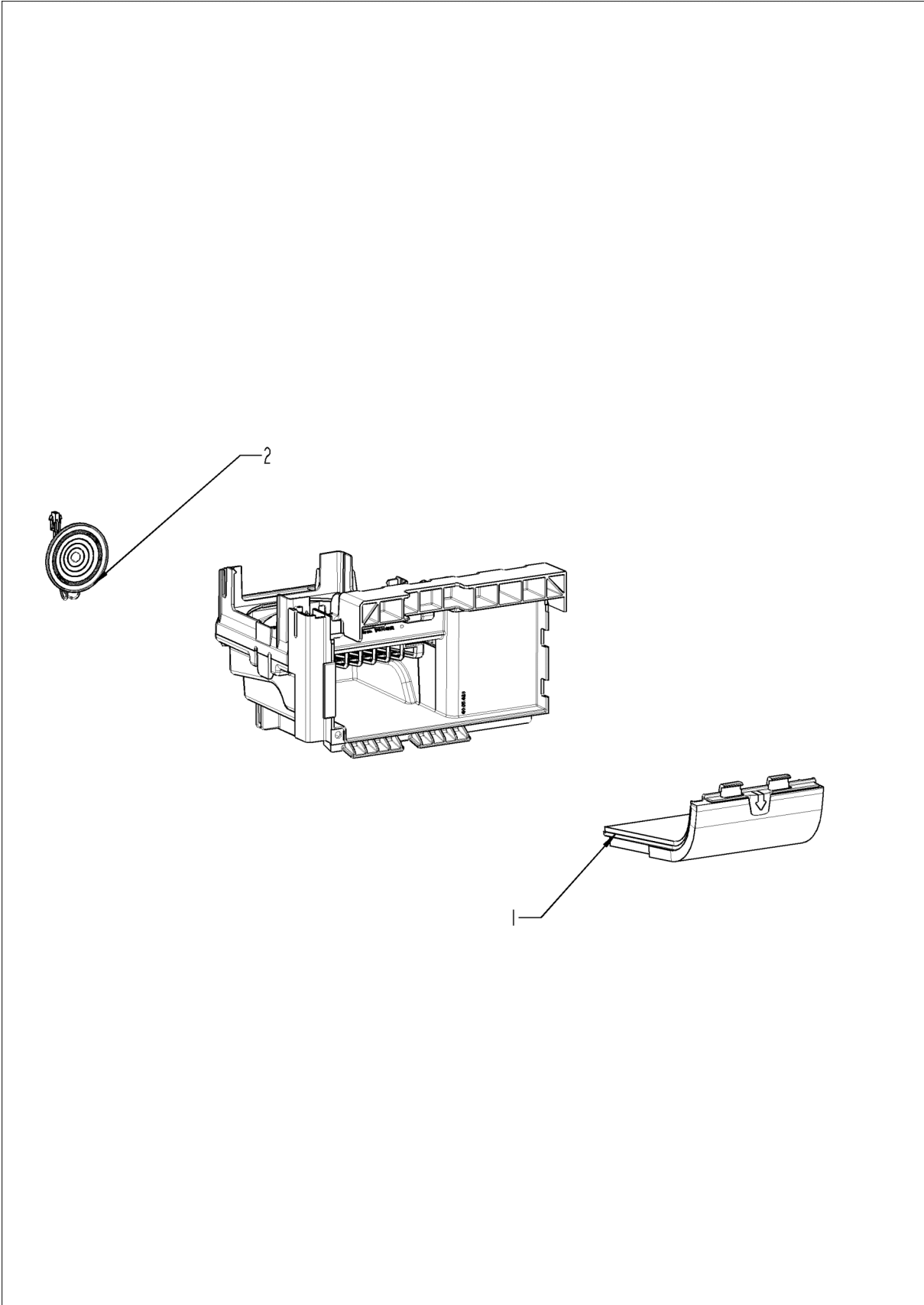




## Electrical installation

Pos.	Part no.	Description	Qty.
1	40.06.384P	Electrical mounting plate	1
2	10.00.709P	Hex nut M6 w. locking	1
3	42.00.336P	Electronic noise filter	1
4	40.06.454P	Contacteur K3-18NBV10 190R T B01 AZ	1
6	40.04.640P	Earth terminal WKFN 6 SL/35	1
7	40.05.277P	Terminal block blue WKFN6/35	1
8	40.04.642P	Terminal block grey WKFN 10 D1/2/35	1
9	40.03.756P	Fixing clip f. pcb	1
11	40.05.919P	IO-module	1
14	10.00.989P	Rivet with screw	1
15	40.03.756P	Fixing clip f. pcb	1
16	40.04.953P	Mounting support for pump pcb	1
17	10.00.989P	Rivet with screw	1
18	42.00.273P	Pump pcb	1
23	40.05.280P	End cover APFN 10 D1/2/35	1
28	40.06.767P	Fuse 4A *Typ 5HT 4-R*	1

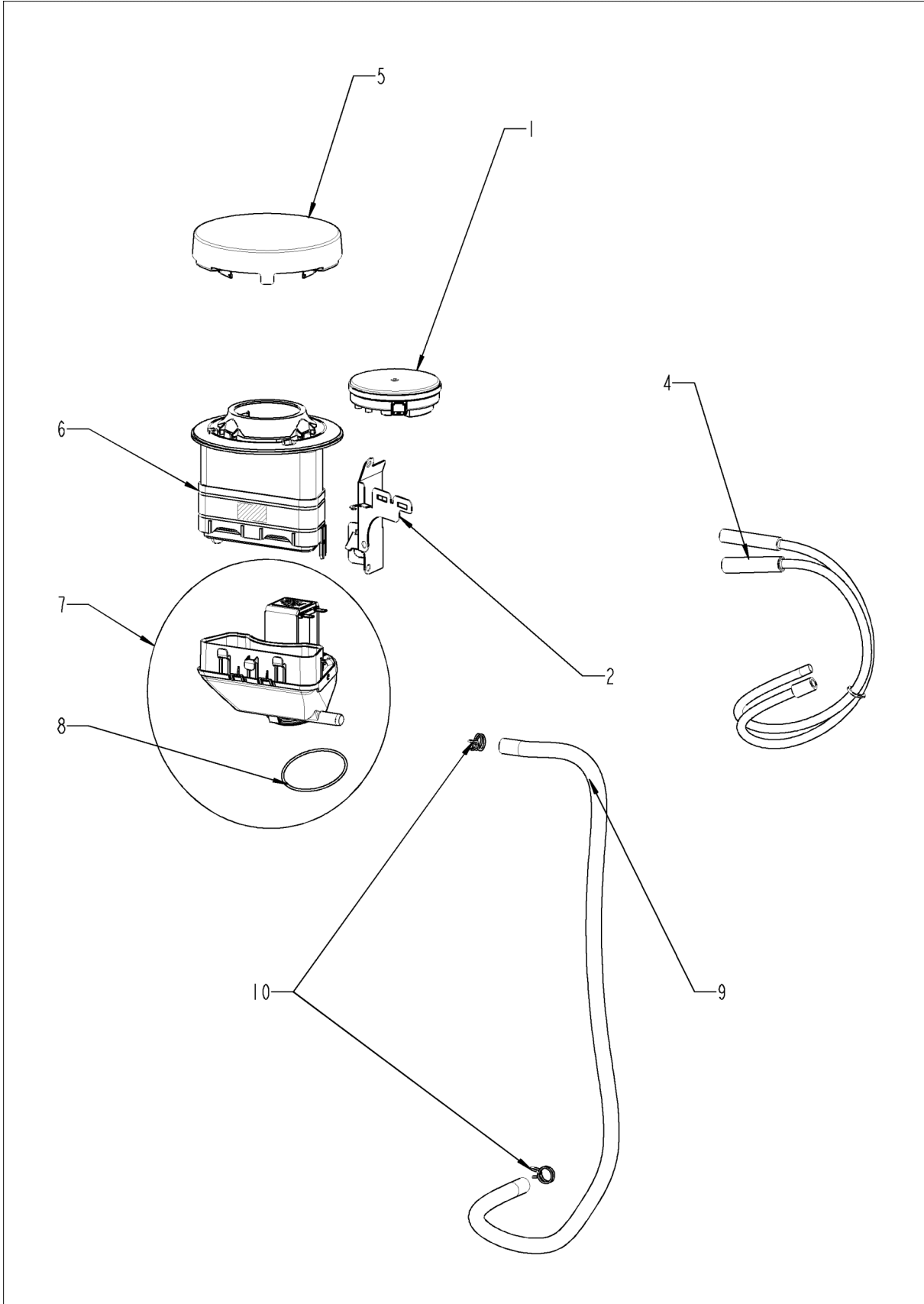
## Air shaft cpl.



## Air shaft cpl.

Pos.	Part no.	Description	Qty.
1	40.05.424P	Air inlet filter cpl.	1
2	40.07.257P	Loudspeaker K 64 WP FR	1

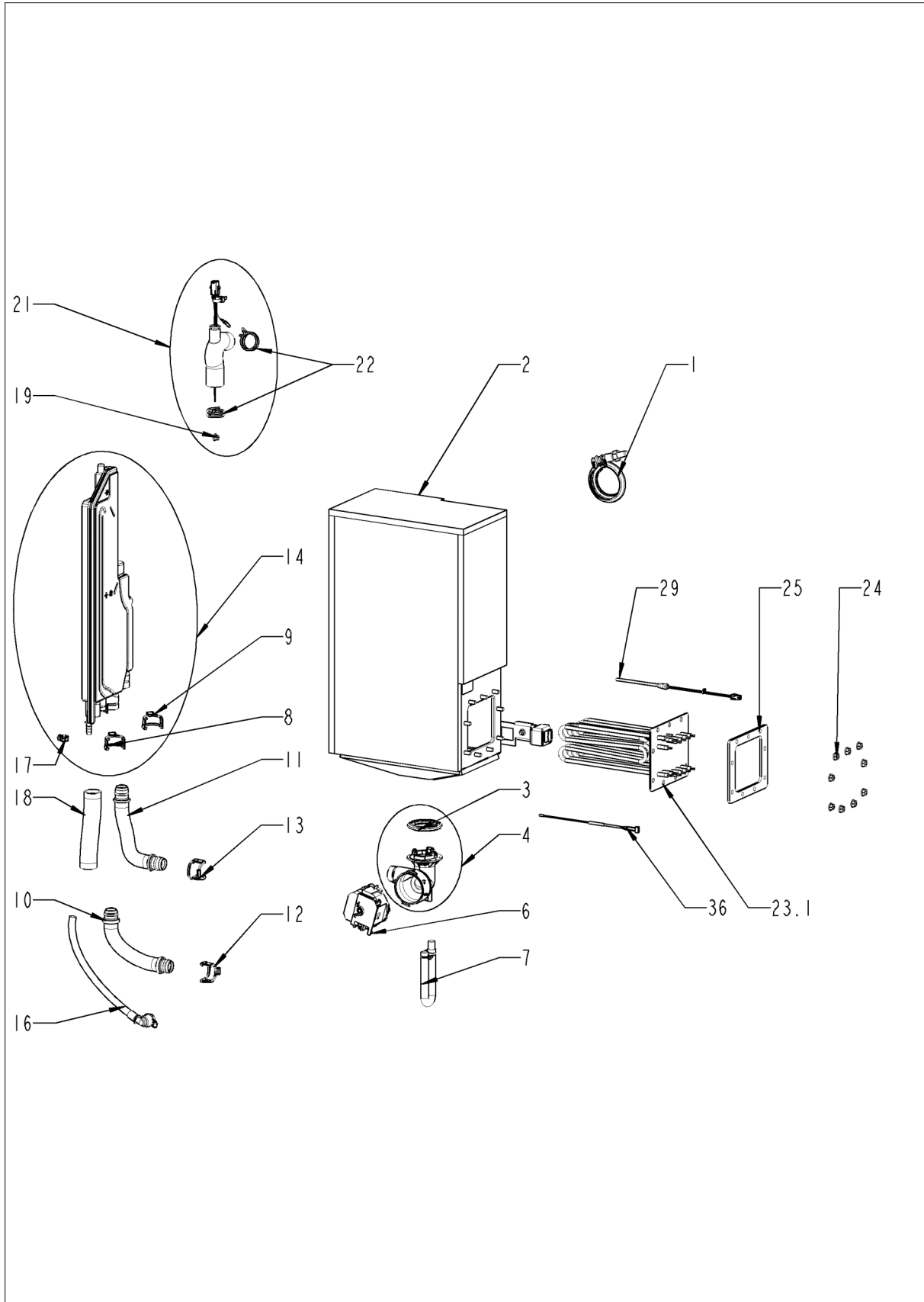
# ClimaPlus



## ClimaPlus

Pos.	Part no.	Description	Qty.
1	3017.1011P	Pressure sensor Huba 401	1
2	40.05.435P	Mounting device f. pressure sensor	1
4	22.01.521P	Hose set f. humidity control	1
5	22.01.409P	Vent cover	1
6	87.01.553S	Air inlet pipe	1
7	22.01.402P	Humidity control cpl.	1
8	10.01.694P	O-ring for humidity control	2
9	56.01.519P	Drain hose set, humidity control, unit drip collector	1
10	2066.0527P	Hose clamp ø14mm	2

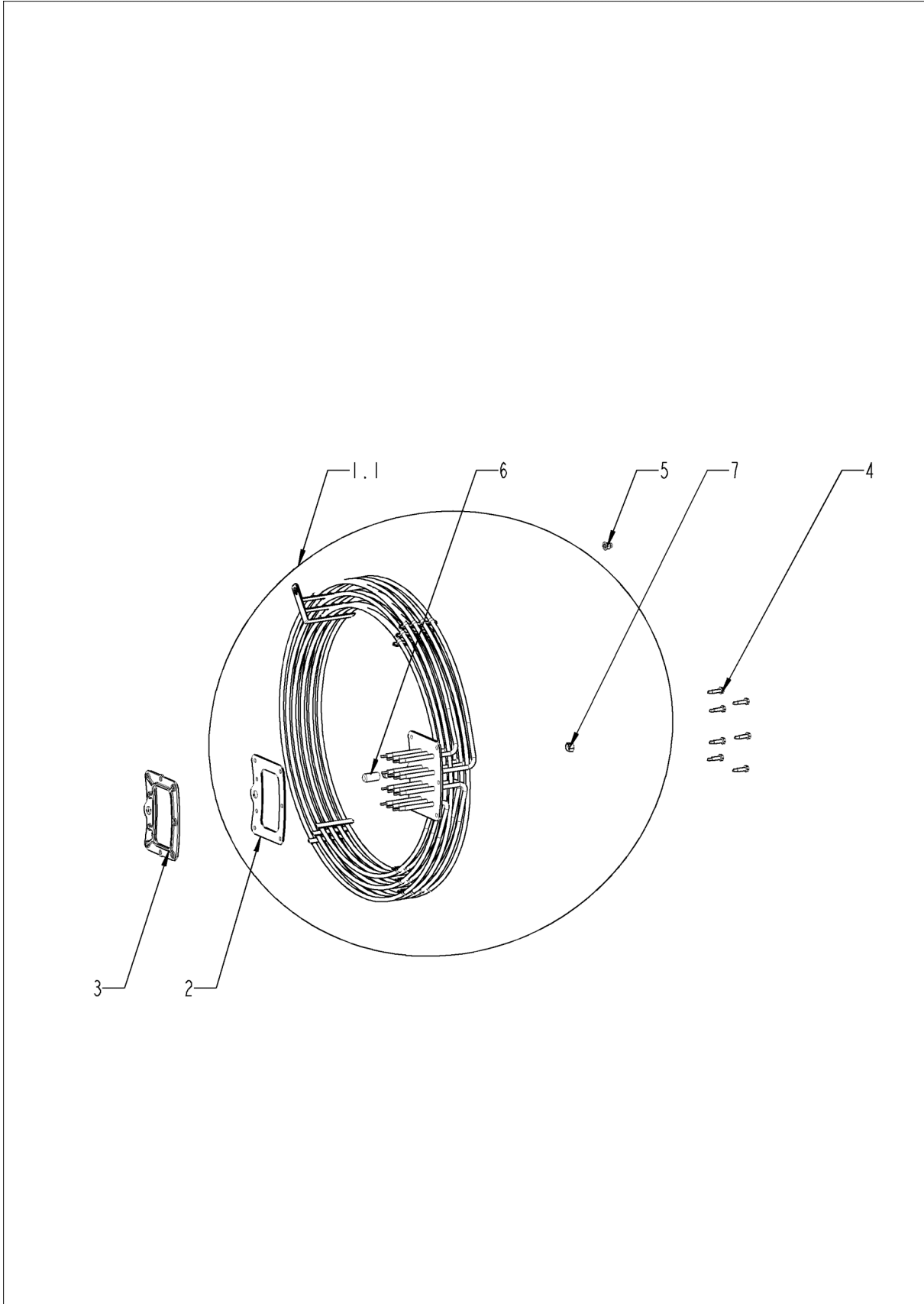
# Steam generator



## Steam generator

Pos.	Part no.	Description	Qty.
1	72.00.492P	V Clamp 50mm right	1
2	87.01.621S	Kit Steam generator insolated	1
3	44.02.200P	Gasket SC pump	1
4	44.02.179S	Pump housing	1
6	56.01.024P	Emptying pump	1
7	44.02.287P	Emergency drainage hose	1
8	10.01.707P	Locking ring 25mm	1
9	10.01.707P	Locking ring 25mm	1
10	44.02.225S	Supply hose safety armature	1
11	44.02.219S	Drain hose steam generator	1
12	10.01.707P	Locking ring 25mm	1
13	10.01.707P	Locking ring 25mm	1
14	87.01.542S	Safety device / water supply for steam generator	1
16	50.02.115P	Hose, water supply, steam generator	1
17	2066.0205P	Hose clamp 8-16x9 mm SW 7mm	1
18	44.02.229P	Drain hose steam generator	1
19	44.01.505P	Grommet Ø12x8,2	1
21	44.02.493S	Molded hose with level electrode	1
22	2066.0518P	Hose clamp 30mm	2
23.1	44.02.195S	Heating element with gasket	1
24	10.00.709P	Hex nut M6 w. locking	1
25	44.02.503P	Gasket f. heating element	1
29	40.06.133P	Temperature sensor eSTB 100mm *S*	1
36	40.06.225P	Thermocouple steam generator *B5*	1

## Hot air heating

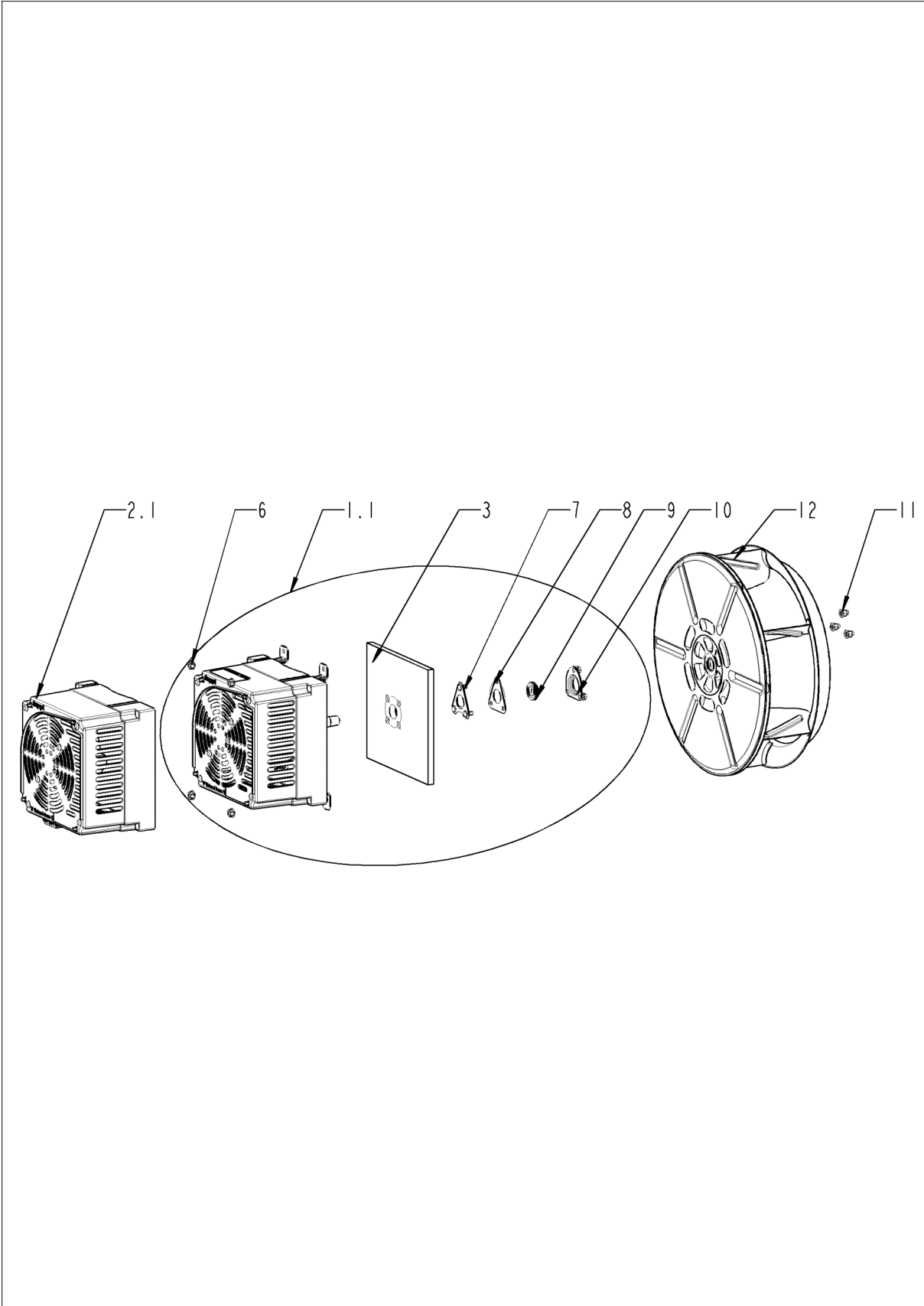




## Hot air heating

Pos.	Part no.	Description	Qty.
1.1	87.01.673S	Heating assembly with gasket	1
2	46.00.289P	Gasket f. heating assembly	1
3	46.00.290P	Mating flange f. heating assembly	1
4	10.00.109P	Hex screw M5x23	7
5	10.01.076P	Cap nut M5*A2	1
6	10.00.991P	Sealing cap	1
7	50.02.309P	Cap nut M10x1	1

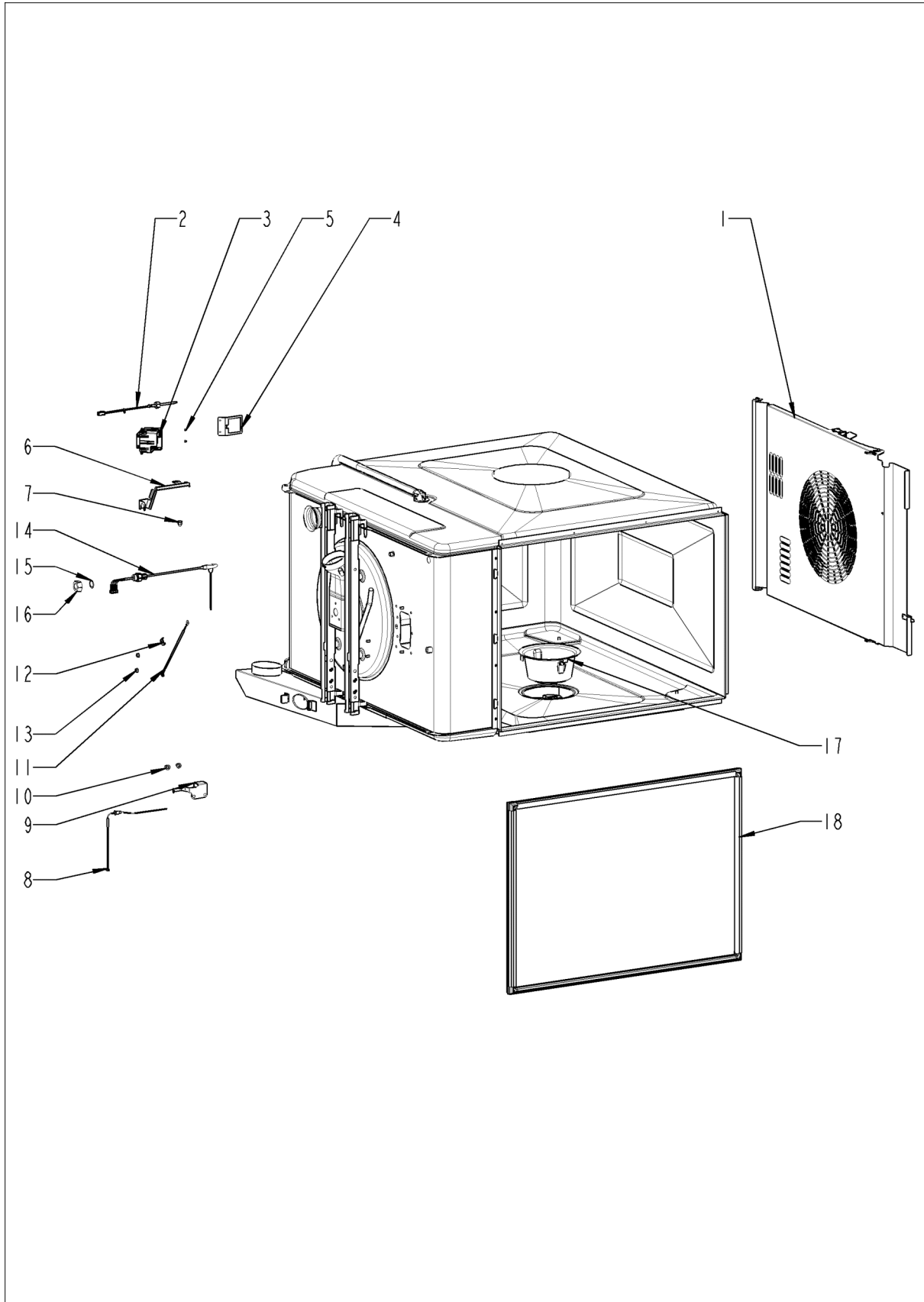
## Motor and fan wheel



## Motor and fan wheel

Pos.	Part no.	Description	Qty.
1.1	87.01.559S	Fan motor	1
2.1	42.00.278P	Motor control for fan motor	1
3	20.02.807P	Isolation for mounting plate for motor	1
6	10.00.709P	Hex nut M6 w. locking	4
7	22.01.423P	Mounting support f. gasket flange	1
8	22.01.425P	Graphit seal for gasket flange	1
9	22.00.985P	Motor shaft gasket D15	1
10	22.01.427P	Flange f. motor shaft gasket	1
11	10.01.076P	Cap nut M5*A2	3
12	22.01.151S	Fan wheel	1
13	1308.0162P	Washer A8,4	1
14	10.00.936P	Hex screw M8x20	1

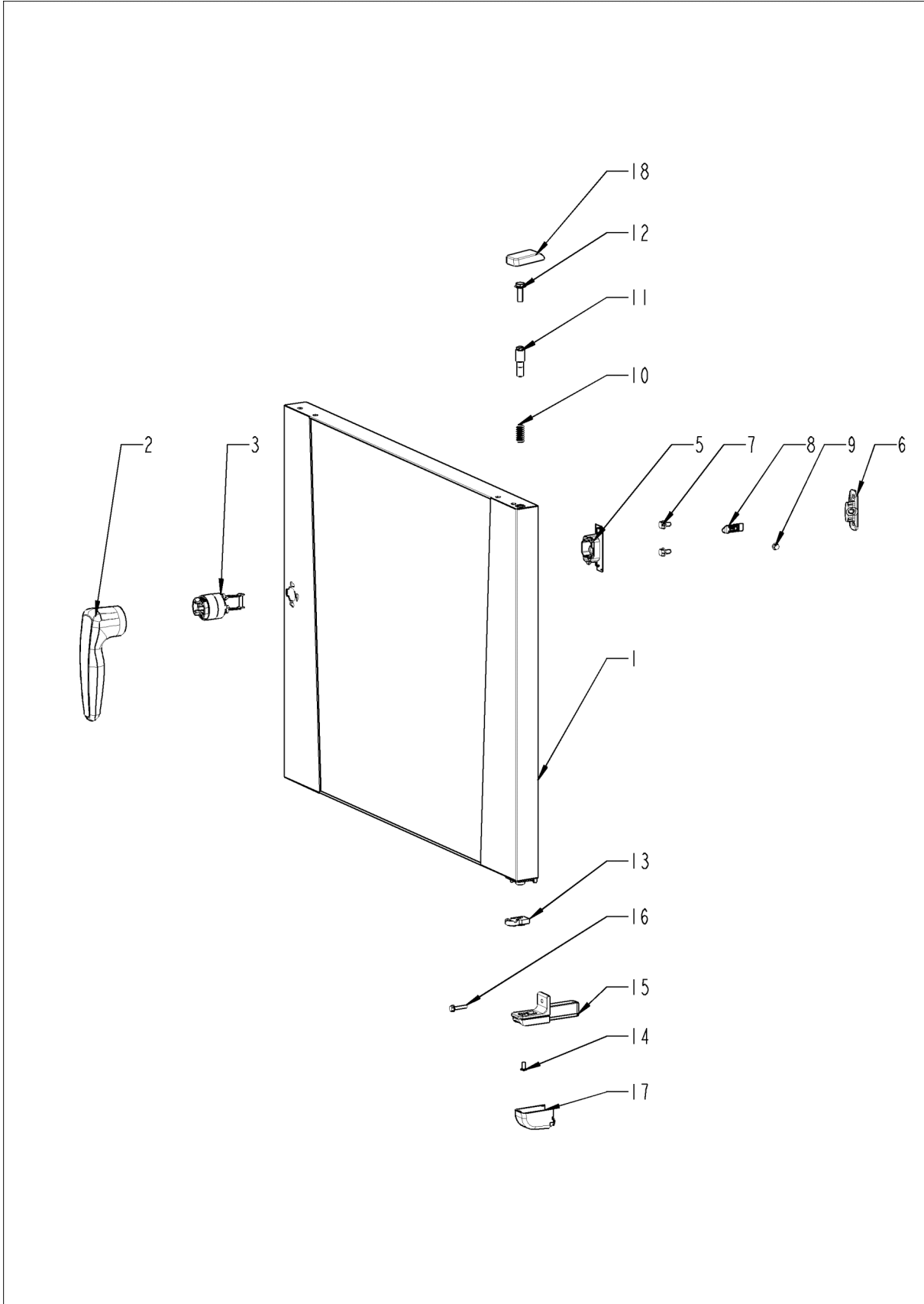
## Interior cabinet



## Interior cabinet

Pos.	Part no.	Description	Qty.
1	22.01.273P	Air baffle	1
2	40.06.112S	Temperature sensor eSTB *HA*	1
3	40.06.682P	Safety temperature limiter	1
4	40.06.053P	Fixing device for safety temperature limiter	1
5	10.00.515P	Rivet 3,2x6.8 A2/NSF	2
6	40.06.098P	Screen core temperature sensor	1
7	10.01.076P	Cap nut M5*A2	1
8	40.05.995P	Thermocouple	1
9	40.05.489P	Screen interior cabinet sensor	1
10	10.01.076P	Cap nut M5*A2	2
11	40.06.210S	Thermocouple humidity *B4*	1
12	10.00.087P	Clamp strap f. sensor	1
13	10.01.065P	Hex nut M5	1
14	40.06.217P	Meat probe sensor	1
15	1315.0104P	Copper washer 16x20x1,5	1
16	10.01.751P	Hex nut M16 DIN934 A2	1
17	56.01.503P	Outlet sieve	1
18	20.02.551P	Door gasket	1

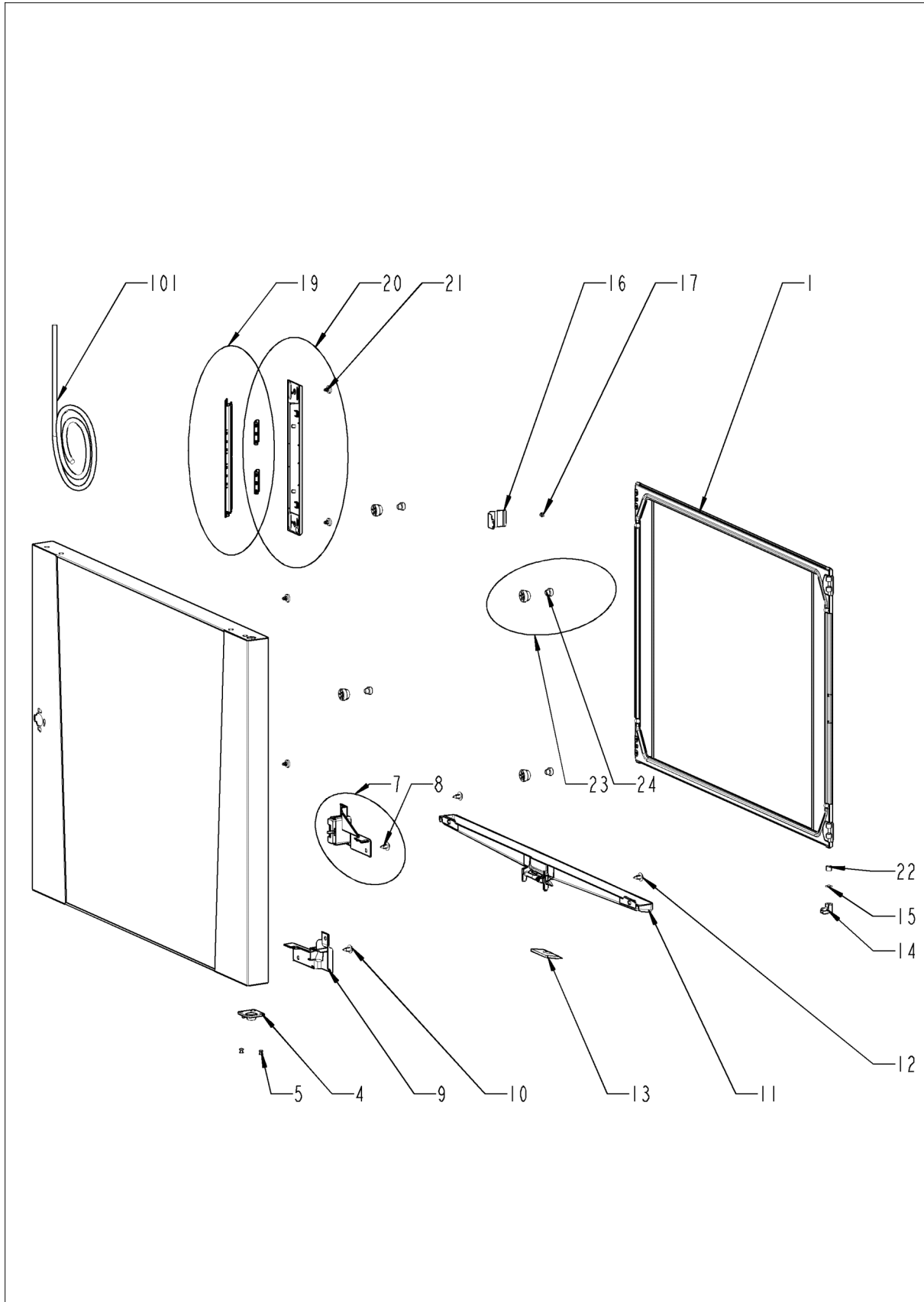
# Door



## Door

<b>Pos.</b>	<b>Part no.</b>	<b>Description</b>	<b>Qty.</b>
1	24.04.100S	Door	1
2	24.04.084P	Door handle	1
3	24.03.041P	Door lock with spring U-bolt	1
5	24.04.211P	Lock cover	1
6	24.02.958P	Holding bracket f. door catch	1
7	10.01.719P	Hex screw M6x12	2
8	24.02.959P	Door catch	1
9	24.02.960P	Interlocking tooth screw M5x6	1
10	2001.0109P	Compression spring	1
11	24.03.040P	Door bolt	1
12	1008.0768P	Ornamental screw M8x16	1
13	14.01.057P	Door bolt	1
14	10.00.099P	Hex screw M8x12	1
15	14.01.056P	Door mounting support bottom	1
16	10.01.755P	Countersunk screw M5x20 A2	1
17	56.01.245P	Cap for door mounting support bottom	1
18	16.04.110P	Cover for door mounting support	1

## Door

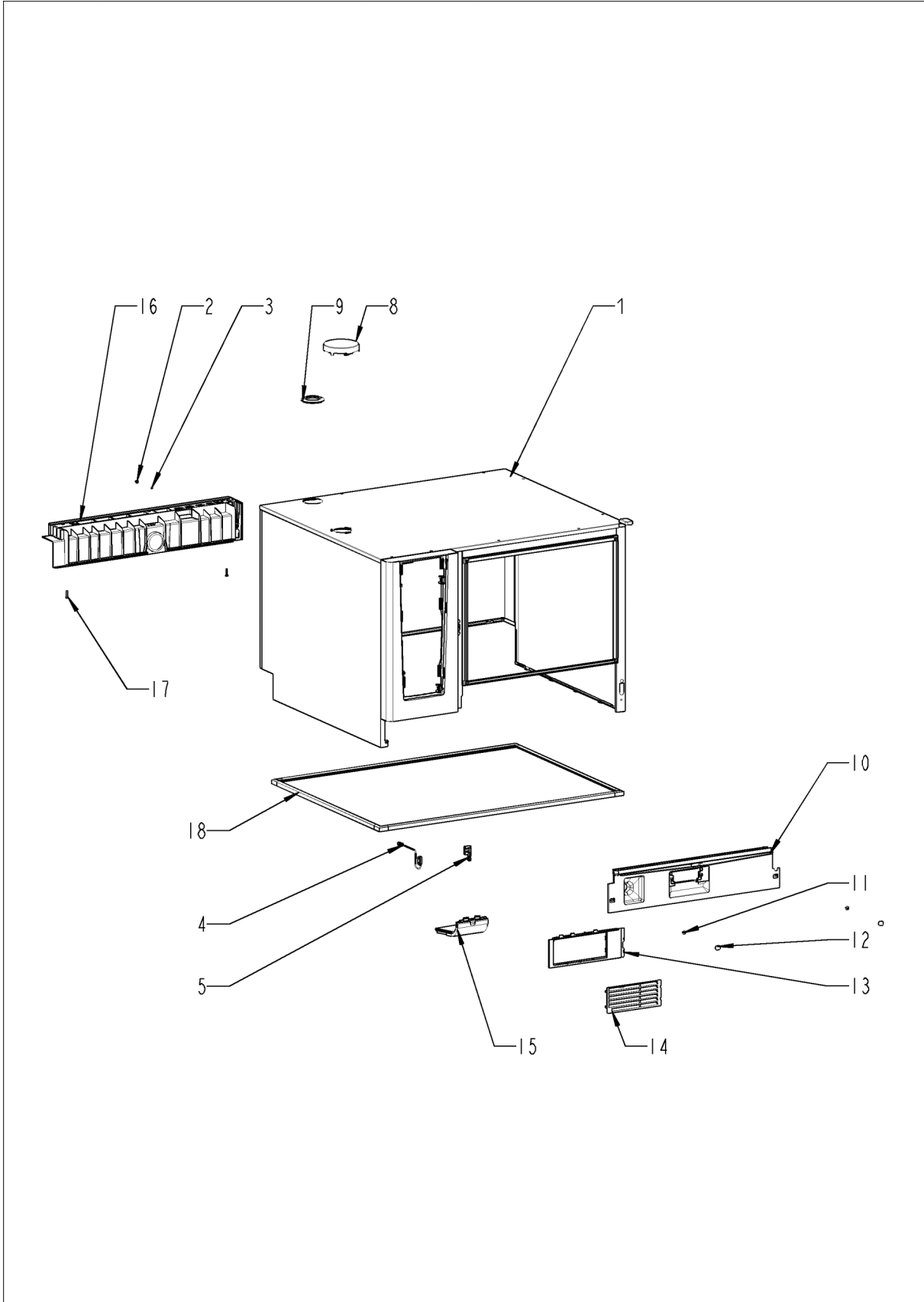




## Door

Pos.	Part no.	Description	Qty.
1	24.04.330S	Inner door pane	1
4	24.04.217P	Door setting bolt	1
5	10.00.904P	Rivet B4x8	2
7	24.04.596S	Cover for door magnet with magnet	1
8	10.02.008P	Rivet with screw	2
9	24.05.303S	Hinge cover	1
10	10.00.989P	Rivet with screw	2
11	24.05.383P	Door drip collector	1
12	10.00.989P	Rivet with screw	2
13	24.05.345P	Drain seal for door drip collector	1
14	24.03.056P	Slide bush for door	1
15	24.03.057P	Abrasion protection for glide socket	1
16	24.03.787S	Fixing bracket kit for interior glass pane	2
17	1604.0161P	Rivet 4x6 CNS	1
19	87.01.578S	LED bar	1
20	87.01.586S	LED optics	1
21	24.05.458P	Plastic spreader rivet	2
22	24.03.764P	Spacer for door	1
23	87.01.438	Spacer kit for glass pane	1
24	24.00.171P	Silicone buffer 7mm for door	6
101	40.06.082P	Cable, interior light W40 *door lighting*	1

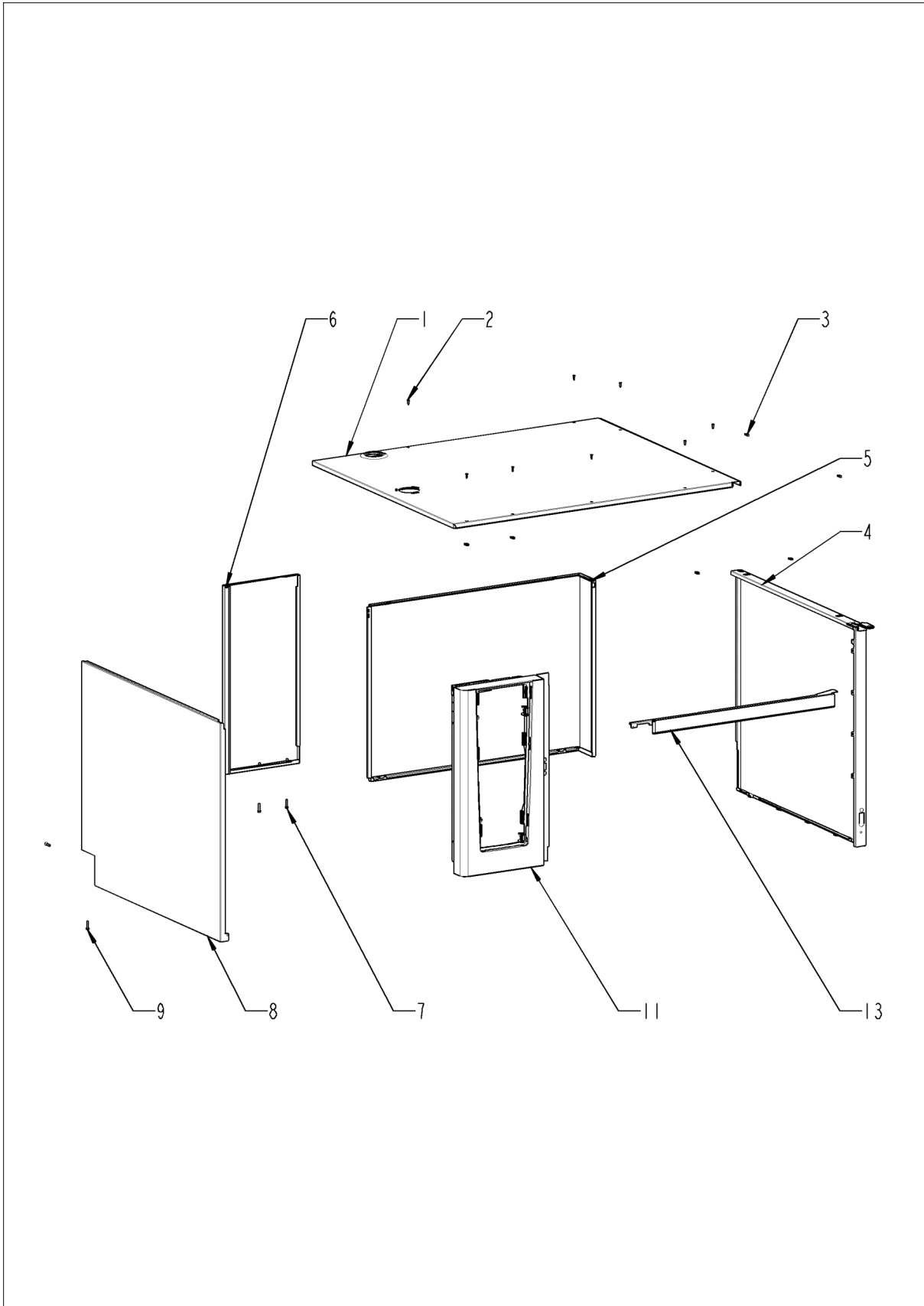
## Exterior cabinet



## Exterior cabinet

Pos.	Part no.	Description	Qty.
1		Exterior cabinet	1
2	10.01.076P	Cap nut M5*A2	1
3	1205.0120P	Tooth lock washer A5,3	1
4	40.06.664P	Door switch	1
5	14.00.937P	Bracket for door contact switch	1
8	22.01.409P	Vent cover	1
9	16.01.434P	Gasket for venting tube d=73mm	1
10	56.01.425P	Base panel right	1
11	10.00.989P	Rivet with screw	4
12	56.01.419P	Plastic cap	2
13	56.01.424P	Base panel left	1
14	56.01.422P	Grid cover	1
15	40.05.424P	Air inlet filter cpl.	1
16	56.01.523P	Waste water cover	1
17	10.01.755P	Countersunk screw M5x20 A2	3
18	12.02.665P	Gasket for base frame	1

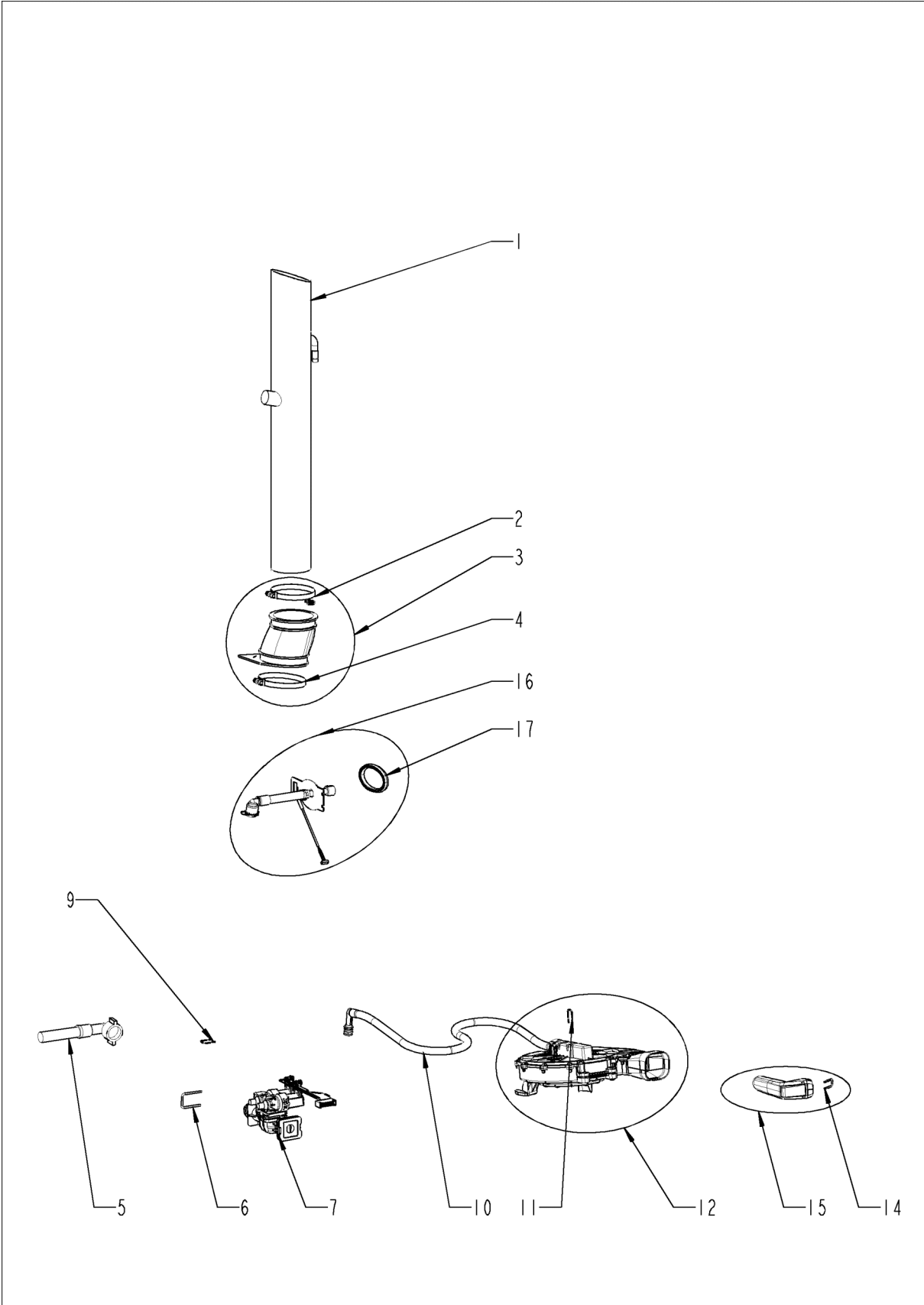
## Exterior cabinet



## Exterior cabinet

Pos.	Part no.	Description	Qty.
1	16.03.404P	Top cover	1
2	1003.2265P	Countersunk self tapping screw 4,2x16	8
3	1104.0820P	Snap nut 4,2mm	8
4	16.04.075P	Side panel right	1
5	16.04.084P	Back panel, right	1
6	16.03.987P	Back panel, left	1
7	10.01.755P	Countersunk screw M5x20 A2	2
8	16.03.409P	Side panel left	1
9	10.01.755P	Countersunk screw M5x20 A2	2
11	16.03.634P	Front panel	1
13	16.04.093P	Crossbar top	1

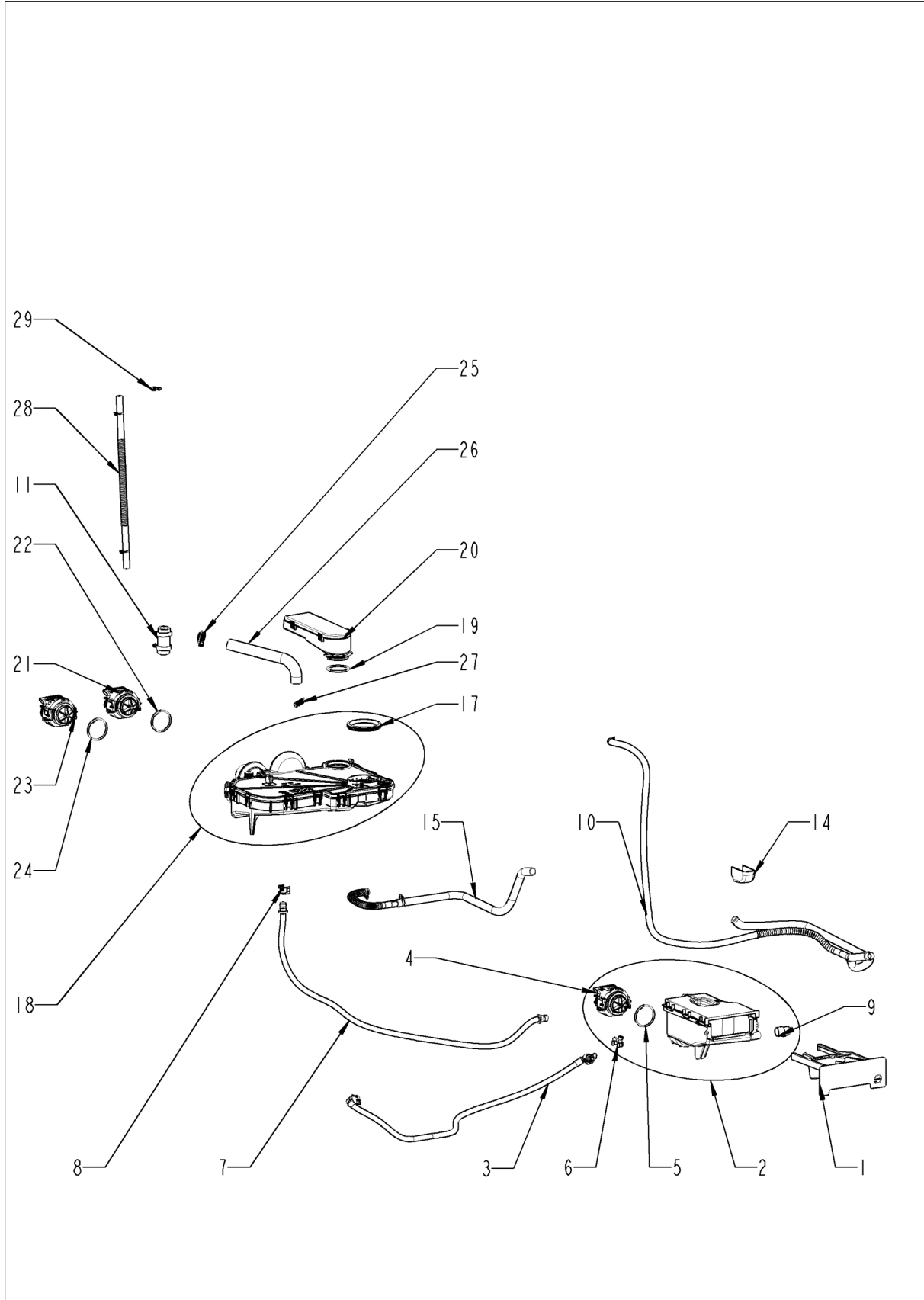
# Water



## Water

Pos.	Part no.	Description	Qty.
1	54.01.604P	Ventilation pipe	1
2	10.01.262P	Hose clamp 76 mm	1
3	54.01.729S	Rubber form piece venting pipe	1
4	10.01.686P	Hose clamp Ø82mm	1
5	2067.0709P	Hose for water supply 2500mm	1
6	50.02.112P	Locking plate f. water distribution	1
7	50.02.102P	Solenoid valve triple	1
9	50.00.085P	Plug-in spring f. hand shower roll guide	1
10	52.00.106S	Connect. hose f. hand shower roll guide	1
11	50.00.085P	Plug-in spring f. hand shower roll guide	1
12	52.00.096P	Hand shower roll guide	1
14	50.00.156P	Clamp f. hand shower roll guide	1
15	52.00.127S	Hand shower black	1
16	54.01.896S	Inspection lid, B2	1
17	54.01.168P	Gasket f. inspection lid	1

## CleanJet + Care

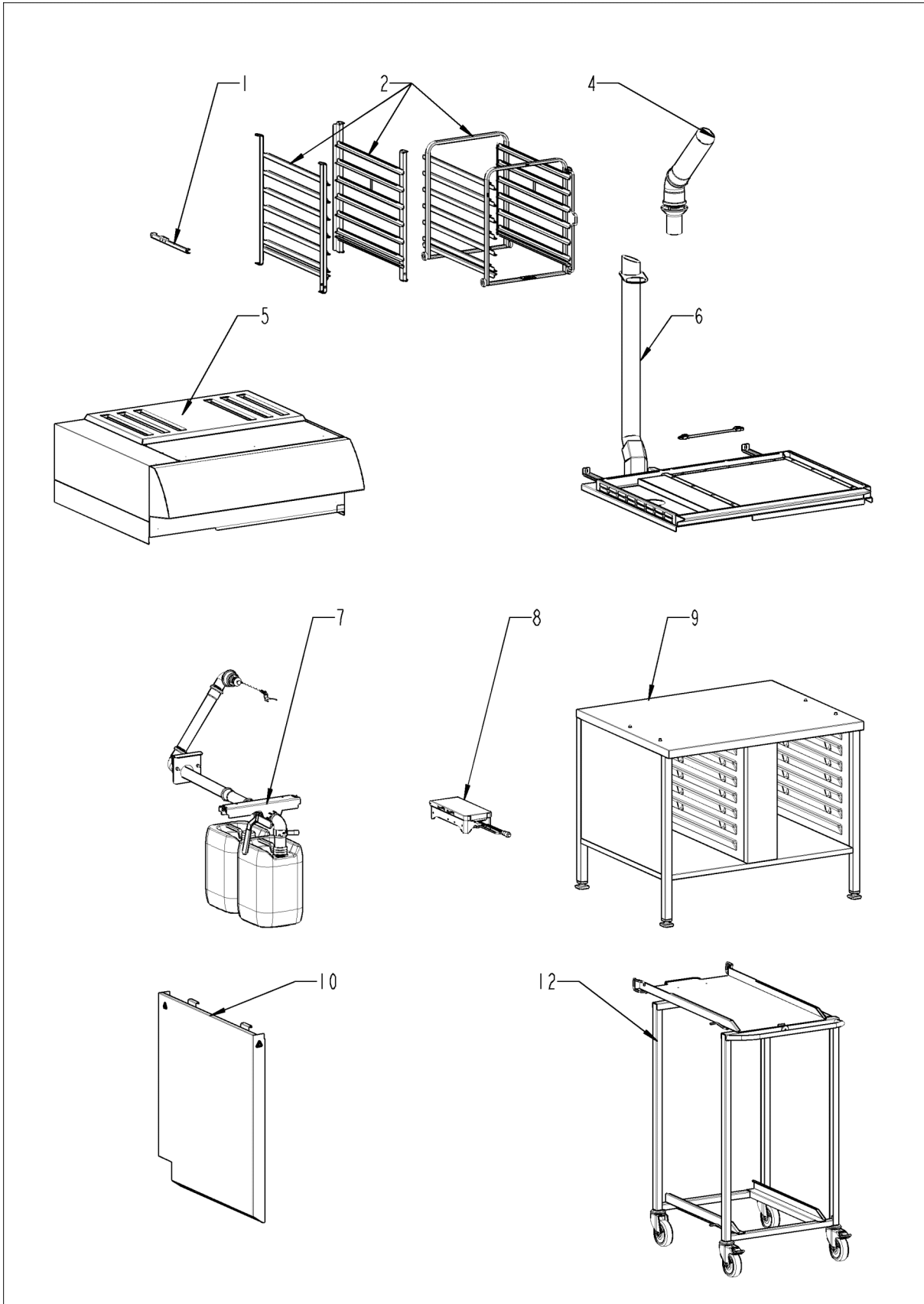




## CleanJet + Care

Pos.	Part no.	Description	Qty.
1	56.00.952P	Drawer Care container	1
2	56.01.466P	Care container with pump	1
3	50.02.133P	Supply hose for "Care box"	1
4	56.01.028P	Pump f. CareControl	1
5	56.01.631P	O-ring for pump	1
6	10.01.703P	Locking ring 16 mm	1
7	56.01.510S	Care hose	1
8	10.01.703P	Locking ring 16 mm	1
9	56.00.752P	Hose fitting EPDM-70ShA	1
10	56.01.519P	Drain hose set, humidity control, unit drip collector	1
11	56.01.682S	Bushing CleanJet pipe	1
14	56.01.245P	Cap for door mounting support bottom	1
15	56.01.699P	Drain hose drip collector	1
16	10.00.982P	Hose clamp D=18.2	1
17	56.01.461P	Gasket DN60	1
18	56.01.486P	Cleaning box	1
19	56.01.481P	O Ring emergency overflow	1
20	56.01.454S	Emergency overflow cleaning box	1
21	56.01.017P	Waste water pump Cleaning box	1
22	56.01.631P	O-ring for pump	1
23	56.01.020P	Pump f. cleaning	1
24	56.01.631P	O-ring for pump	1
25	2066.0521P	Hose clamp 27mm	1
26	56.01.677P	CleanJet hose	1
27	2066.0521P	Hose clamp 27mm	1
28	56.01.688S	Silicone hose with hose clamps	1
29	2066.0527P	Hose clamp ø14mm	1

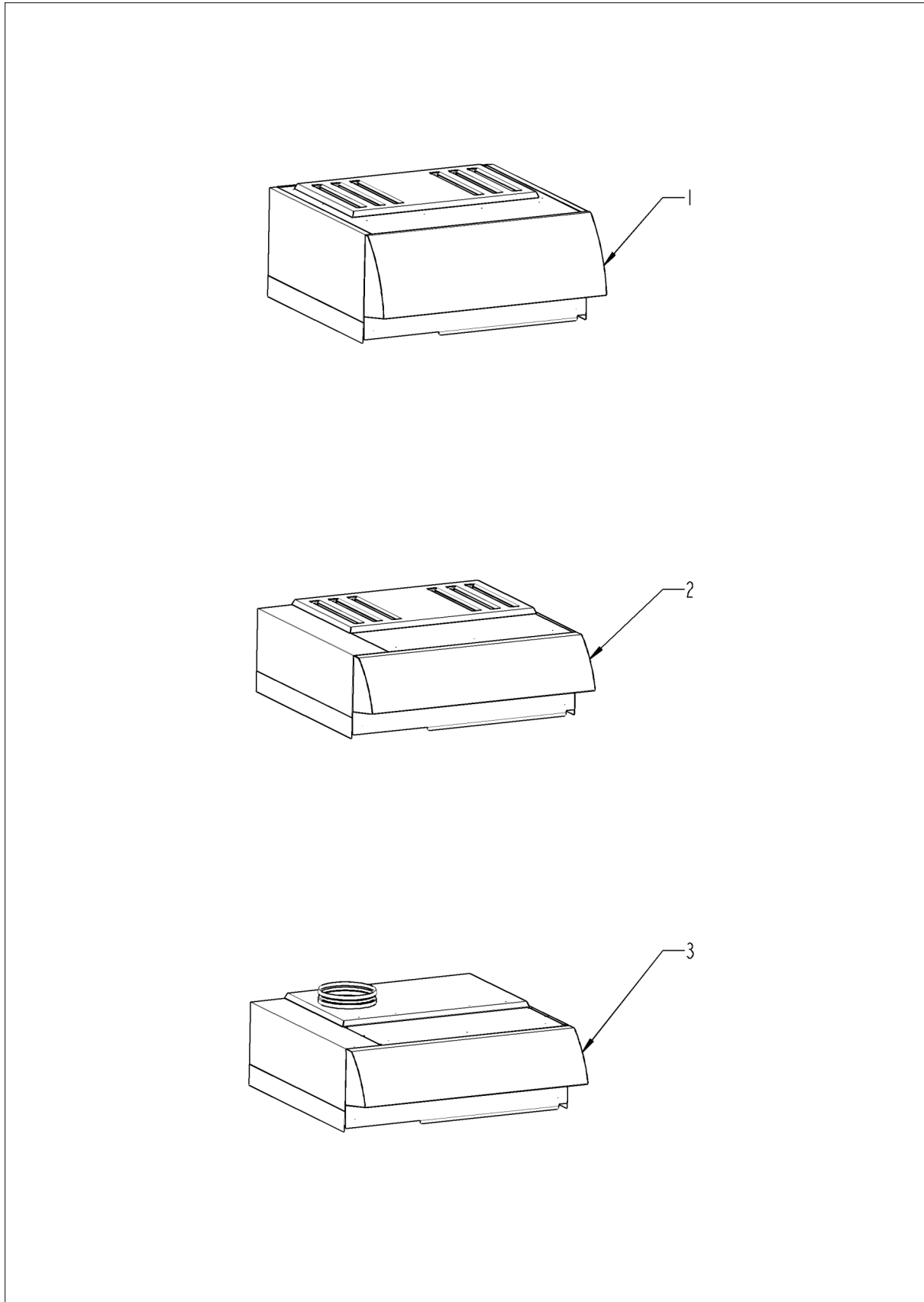
## Standard accessory



## Standard accessory

Pos.	Part no.	Description	Qty.
1	60.71.022	Positioning support for core sensor	1
2	60.62.123	Hinging rack type 6-2/1,	1
4	60.72.592	Condensation breaker	1
5		Exhaust hood	1
6		CombiDuo	1
7		Internal fat drain table unit	1
8		VarioSmoker	1
9		Stands	1
10		Heat shield	1
12		Transport trolley	1
20		Repair and retrofit kit	1

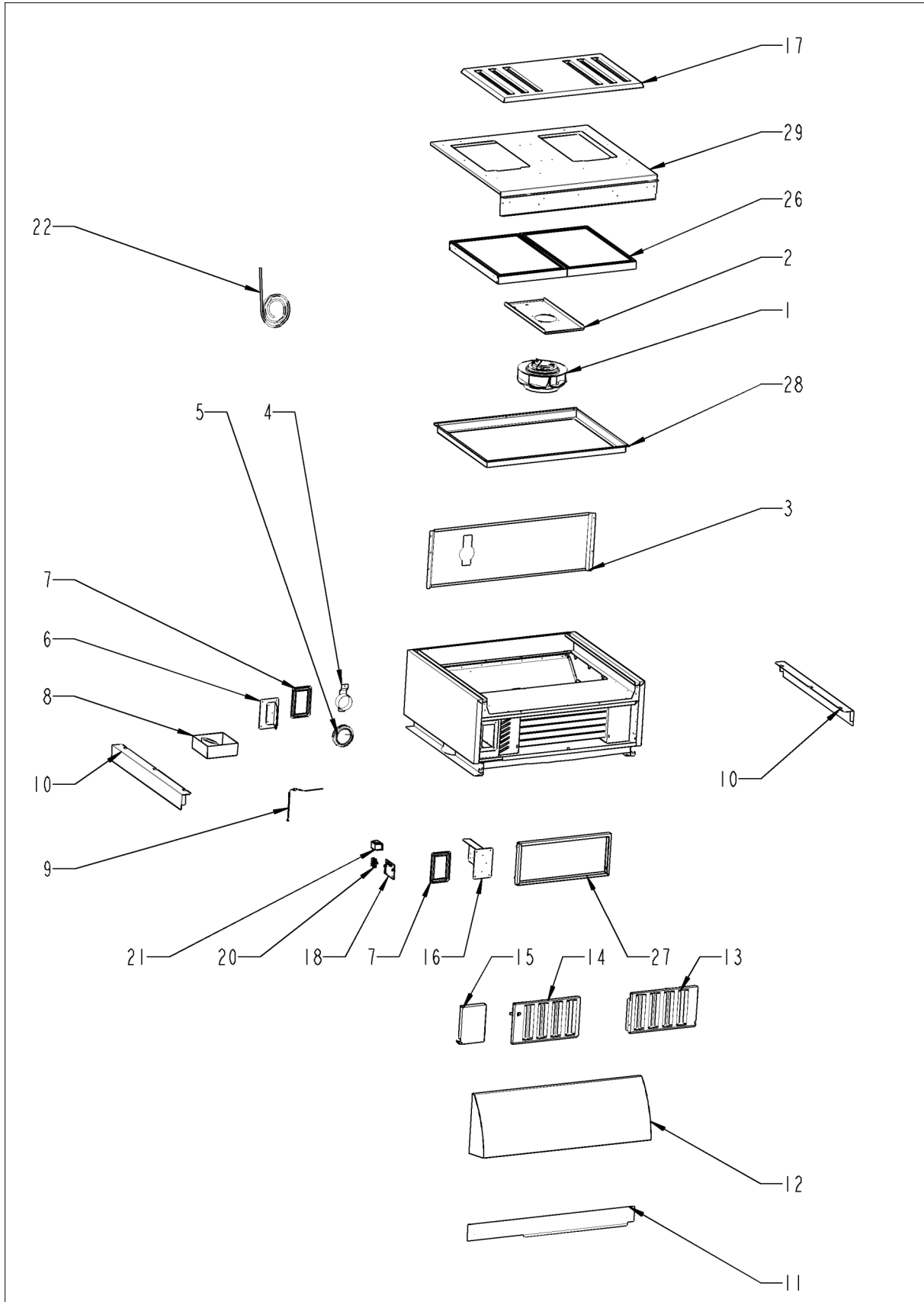
## Exhaust hood



## Exhaust hood

Pos.	Part no.	Description	Qty.
1		UltraVent Plus	1
2		UltraVent	1
3		Extractor hood	1

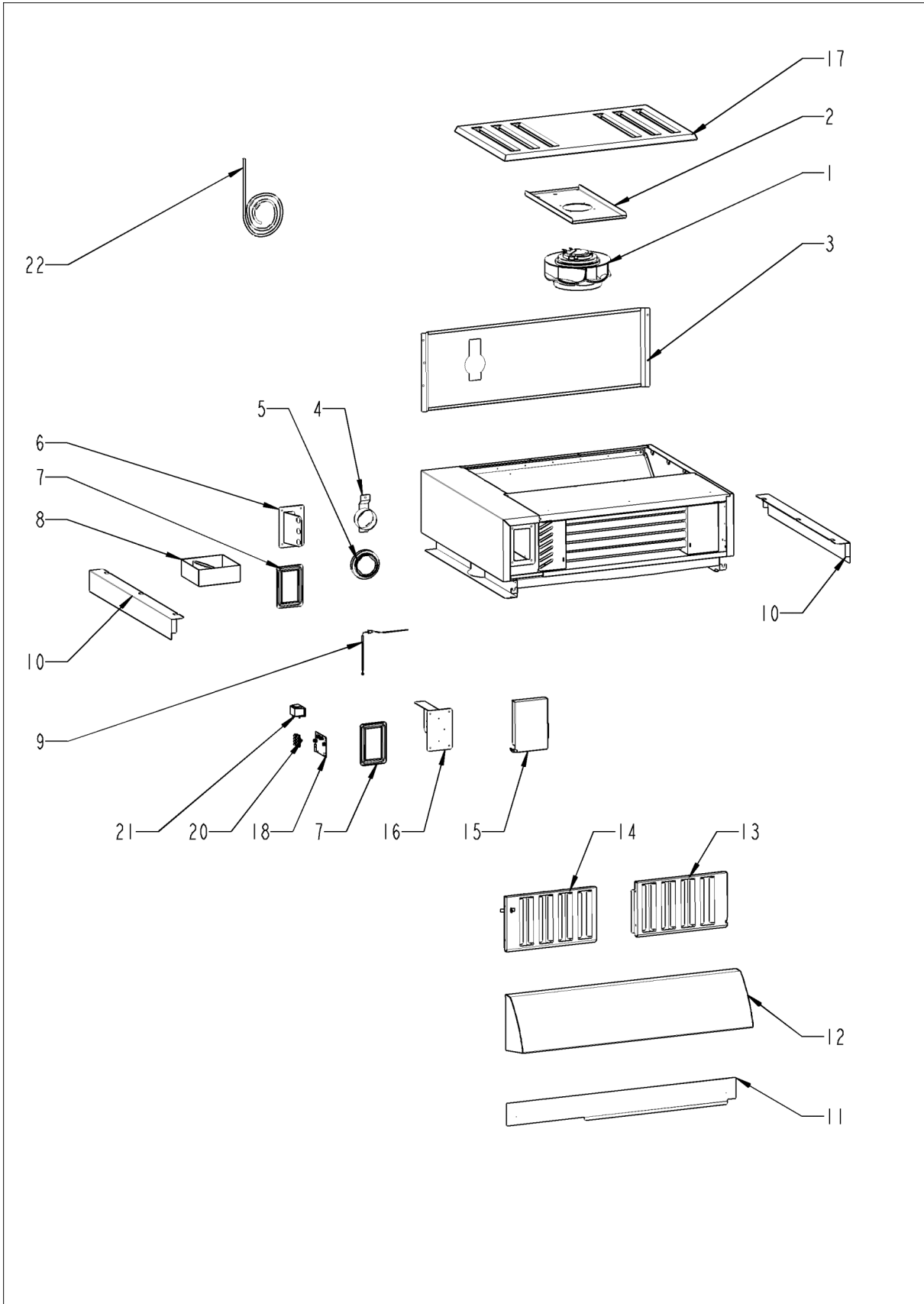
# UltraVent Plus



## UltraVent Plus

Pos.	Part no.	Description	Qty.
1	60.74.890S	Blower motor for Ultravent	1
1	60.74.889S	Blower motor for Ultravent	1
2	60.75.179S	Motor mounting plate	1
3	60.75.218S	Heat protection plate	1
4	60.75.215S	Closure Combi-Duo 70mm	1
5	60.75.156P	Gasket 70mm	1
6	60.75.171S	Electrical box cover back	1
7	60.75.212P	Electrical box seal	1
8	60.75.160P	Condensate collector 70mm	1
9	40.05.995P	Thermocouple	1
10	60.75.174P	side panels	1
11	60.75.177S	Front panel	1
12	60.75.199S	Front hood	1
13	60.76.456P	Baffle plate filter right	1
14	60.75.201P	Baffle plate filter left	1
15	60.75.209P	Electrical box cover	1
16	60.75.175S	Electric box cover front	1
17	60.76.572S	IPX5 Coverage	1
18	42.00.308S	Control pcb UltraVent	1
19	60.76.574P	spacer CPU	1
20	60.76.447S	Connection terminal	1
21	60.76.448S	Power chokes	1
21	60.76.449P	Capacitors	1
22	40.06.597P	Bus cable	1
24	87.01.781S	Thermocouple	1
26	60.75.210P	HEPA filtert	1
27	60.75.214P	Prefilter metal mesh	1
28	60.76.528S	Pressure frame HEPA filtert	1
29	60.76.571S	filter cassette clp.	1
30	42.00.309S	Adapter pcb f. UVP	1
31	60.75.211P	Hose set Filter detection	1

# UltraVent

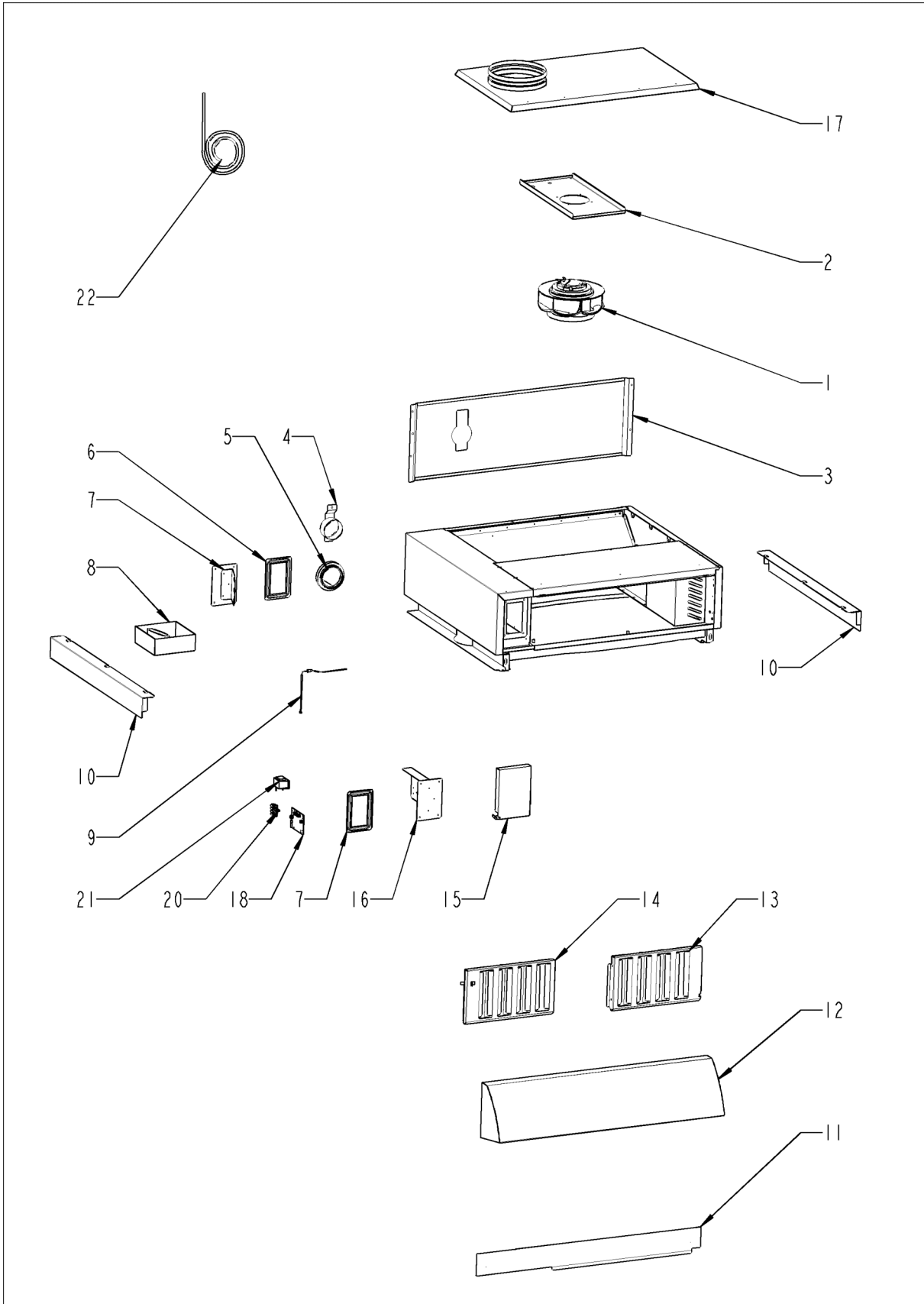




## UltraVent

Pos.	Part no.	Description	Qty.
1	60.74.890S	Blower motor for Ultravent	1
1	60.74.889S	Blower motor for Ultravent	1
2	60.75.179S	Motor mounting plate	1
3	60.75.218S	Heat protection plate	1
4	60.75.215S	Closure Combi-Duo 70mm	1
5	60.75.156P	Gasket 70mm	1
6	60.75.171S	Electrical box cover back	1
7	60.75.212P	Electrical box seal	1
8	60.75.160P	Condensate collector 70mm	1
9	40.05.995P	Thermocouple	1
10	60.75.174P	side panels	1
11	60.75.177S	Front panel	1
12	60.75.195S	Front hood	1
13	60.76.456P	Baffle plate filter right	1
14	60.75.201P	Baffle plate filter left	1
15	60.75.209P	Electrical box cover	1
16	60.75.175S	Electric box cover front	1
17	60.76.534S	IPX5 Coverage	1
18	42.00.308S	Control pcb UltraVent	1
19	60.76.574P	spacer CPU	1
20	60.76.447S	Connection terminal	1
21	60.76.448S	Power chokes	1
21	60.76.449P	Capacitors	1
22	40.06.597P	Bus cable	1
24	87.01.781S	Thermocouple	1

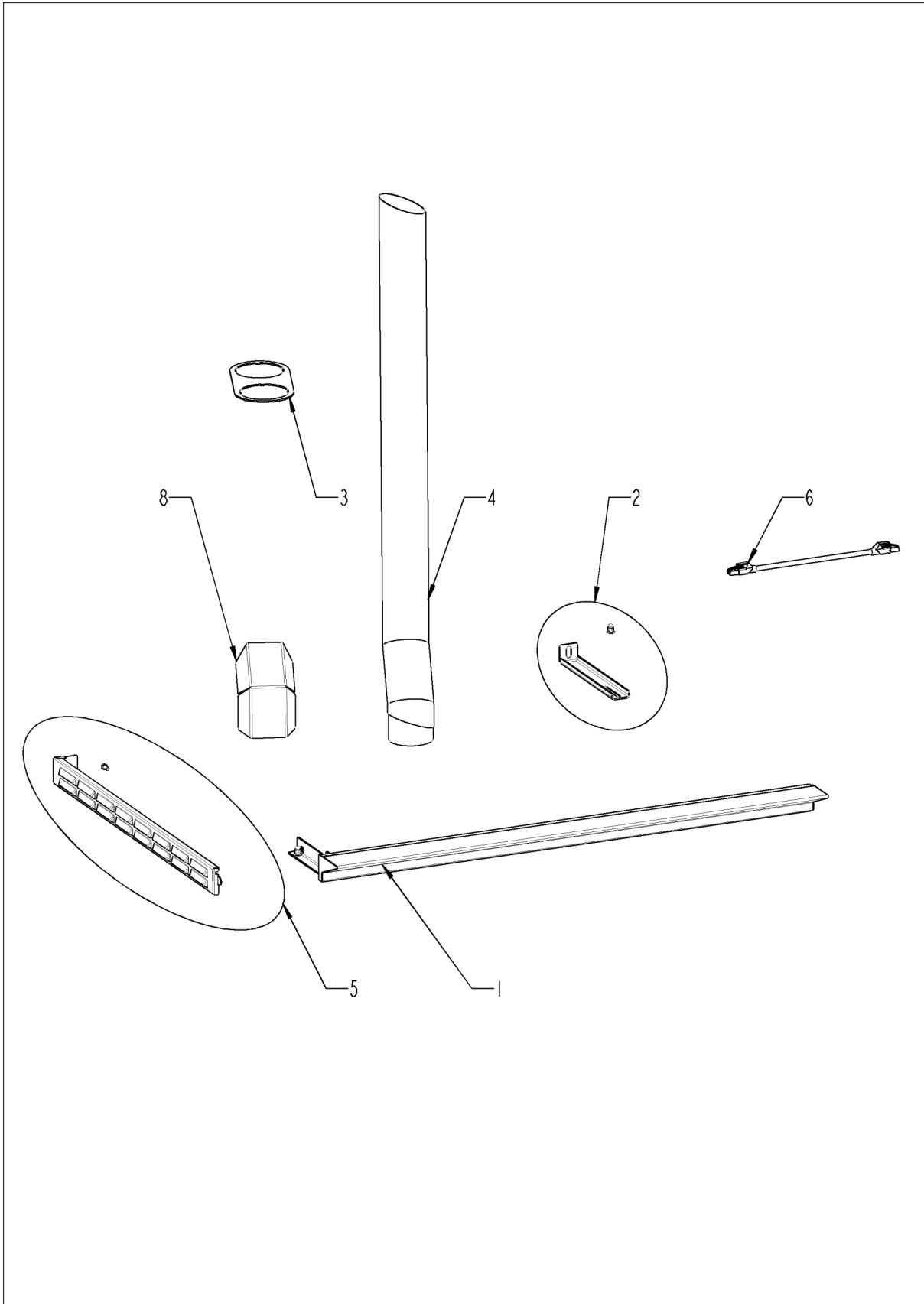
# Extractor hood



## Extractor hood

Pos.	Part no.	Description	Qty.
1	60.74.889S	Blower motor for UltraVent	1
1	60.74.890S	Blower motor for UltraVent	1
2	60.75.179S	Motor mounting plate	1
3	60.75.218S	Heat protection plate	1
4	60.75.212P	Electrical box seal	1
5	60.75.156P	Gasket 70mm	1
6	60.75.171S	Electrical box cover back	1
7	60.75.212P	Electrical box seal	1
8	60.75.160P	Condensate collector 70mm	1
9	40.05.995P	Thermocouple	1
10	60.75.174P	side panels	1
11	60.75.177S	Front panel	1
12	60.75.195S	Front hood	1
13	60.76.456P	Baffle plate filter right	1
14	60.75.201P	Baffle plate filter left	1
15	60.75.209P	Electrical box cover	1
16	60.75.175S	Electric box cover front	1
17	60.76.546S	Exhaust air plate	1
18	42.00.308S	Control pcb UltraVent	1
19	60.76.574P	spacer CPU	1
20	60.76.447S	Connection terminal	1
21	60.76.448S	Power chokes	1
21	60.76.449P	Capacitors	1
22	40.06.597P	Bus cable	1
24	87.01.781S	Thermocouple	1

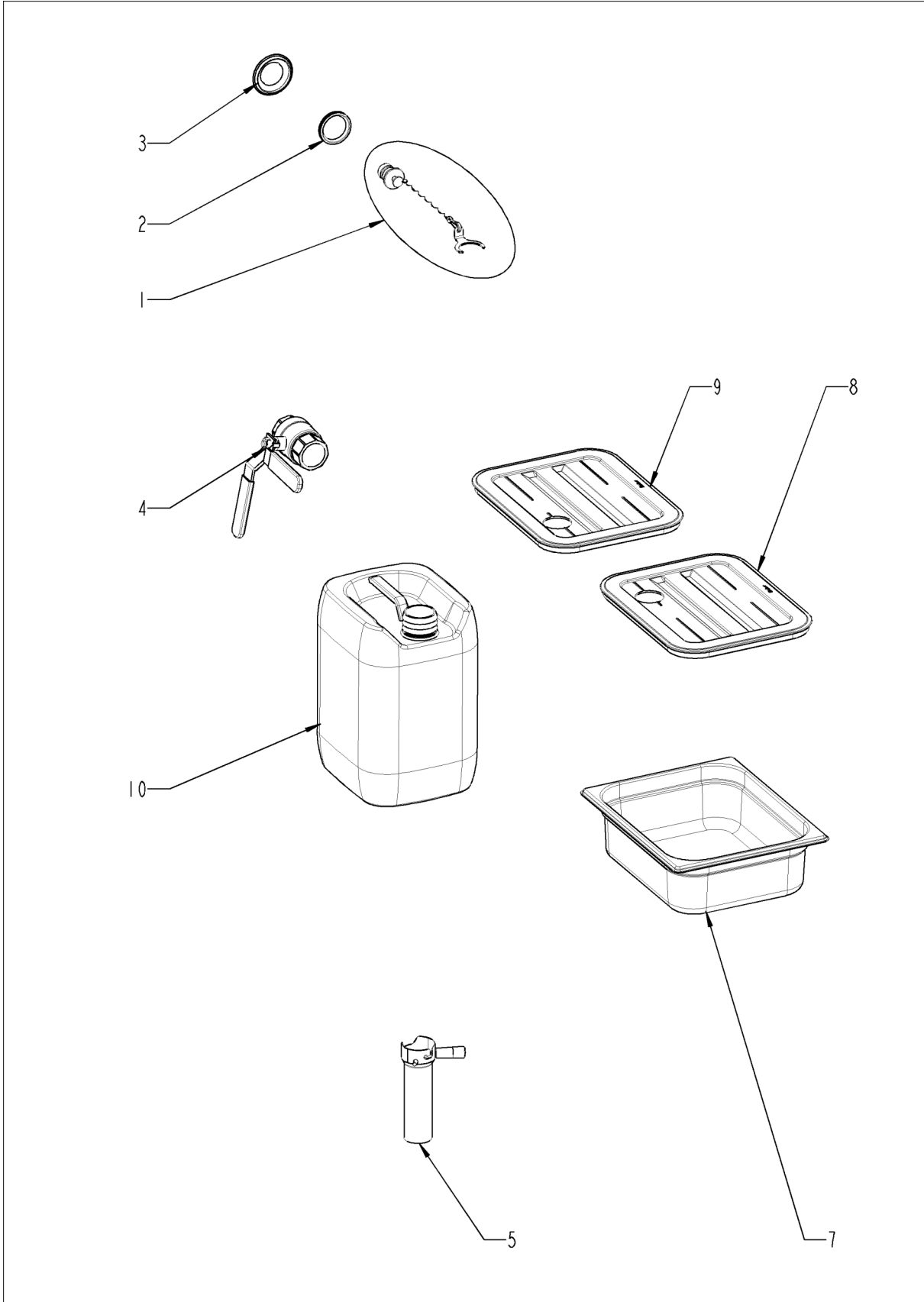
## CombiDuo



## CombiDuo

Pos.	Part no.	Description	Qty.
1	60.75.867S	Front panel	1
2	60.74.841S	Elbow	1
3	60.74.311P	Bracket for venting pipe, CombiDuo	1
4	60.75.414P	Venting pipe for Combi-Duo	1
4	60.74.747P	Venting pipe for Combi-Duo Univ.	1
5	60.74.739S	Side panel left	1
6	40.05.839P	Bus cable RJ45 2.85m	1
8	60.75.409P	Heat Shield	1

## Internal fat drain table unit

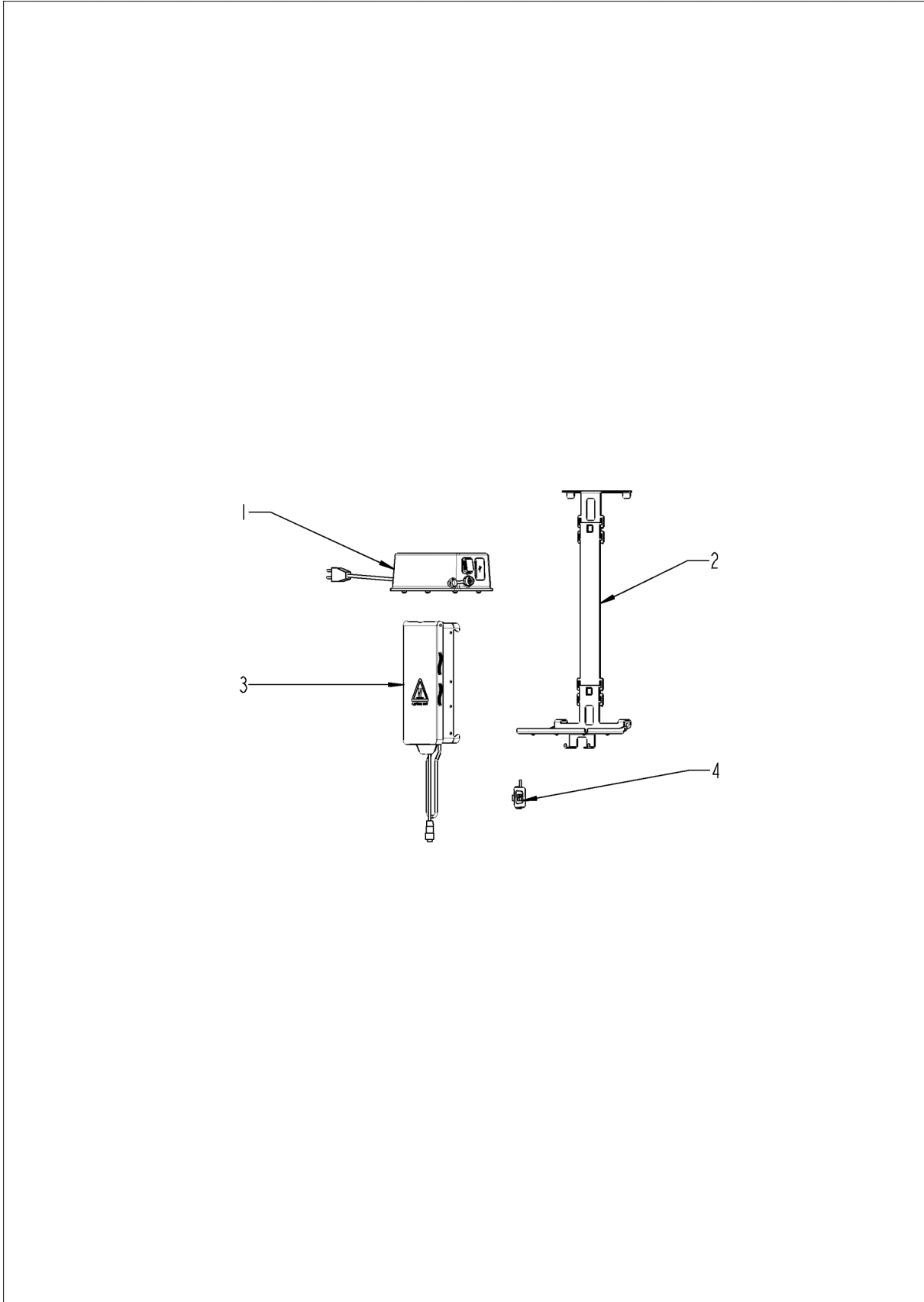


---

## Internal fat drain table unit

Pos.	Part no.	Description	Qty.
1	60.76.409P	End cap for Internal fat drain	1
2	60.74.564P	Gasket for int. fat drain	1
3	56.00.874P	Gasket wastewater	1
4	60.72.729P	Ball valve DN32 (1 1/4")	1
5	60.72.609P	Drain pipe, bayonet with handle	1
7	6013.1210	Tray, 1/2 GN, 100 mm (4") deep	1
8	60.72.696P	Lid for tray, hole right side, GN1/2	1
9	60.72.745P	Lid for tray, hole left side, GN1/2	1
10	60.72.619	Jerry can 10l (2,64USGAL)	1

## VarioSmoker

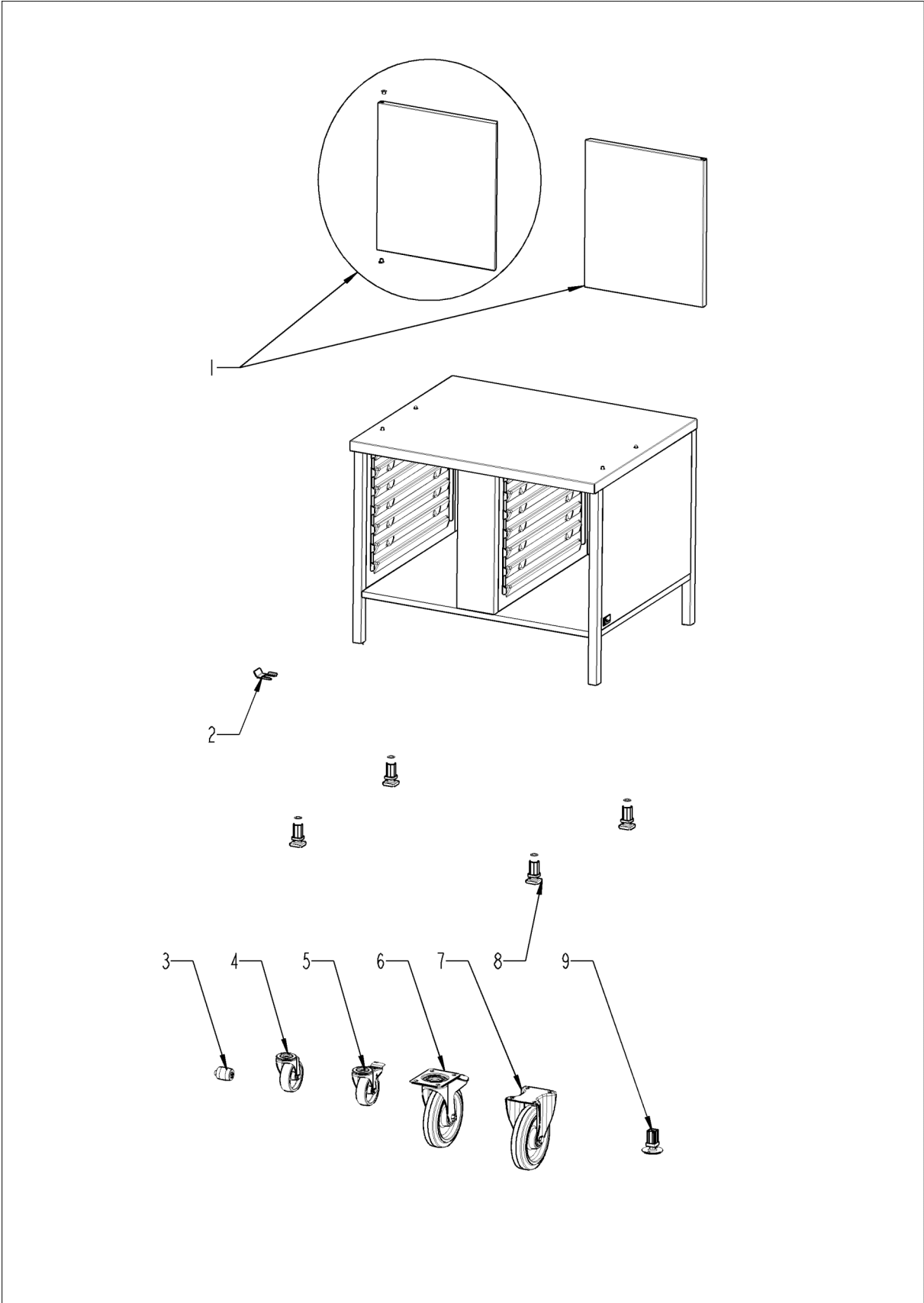




## VarioSmoker

Pos.	Part no.	Description	Qty.
1	60.75.374P	Power supply for VarioSmoker *UK*	1
1	60.75.376P	Power supply for VarioSmoker *ARG*	1
1	60.75.378P	Power supply for VarioSmoker *CH*	1
1	60.75.386P	Power supply for VarioSmoker *BRA*	1
1	60.75.368P	Power supply for VarioSmoker *US*	1
1	60.75.372P	Power supply for VarioSmoker *EU*	1
2	60.76.115S	Mounting device kit for VarioSmoker	1
3	60.76.691P	Smoking box for VarioSmoker	1
4	40.06.837P	Interface cable USB VarioSmoker	1

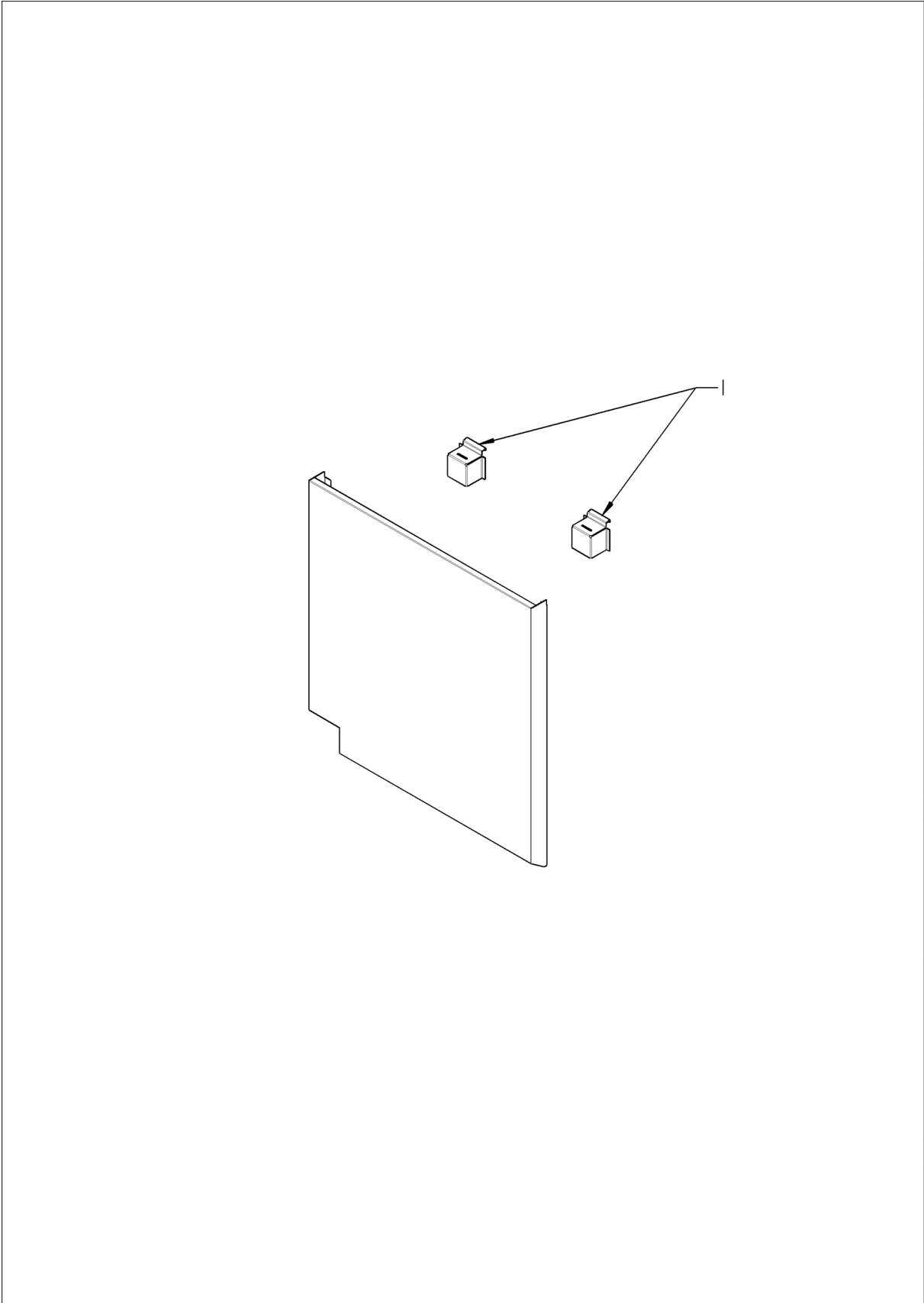
# Stands



## Stands

Pos.	Part no.	Description	Qty.
1	87.01.812S	Door 2/1	1
2	60.31.648P	Castor brake	1
3	60.76.291P	Castor for levelling kit	1
4	60.75.365P	Castor, 100mm without brake	1
5	60.75.366P	Castor, 100mm with brake	1
6	60.73.162S	Castor without brake D=200	1
7	60.73.163S	Castor with brake ø200mm	1
8	60.31.283P	Foot adjustable,30x30	1
9	60.31.351P	Stainless steel base	1

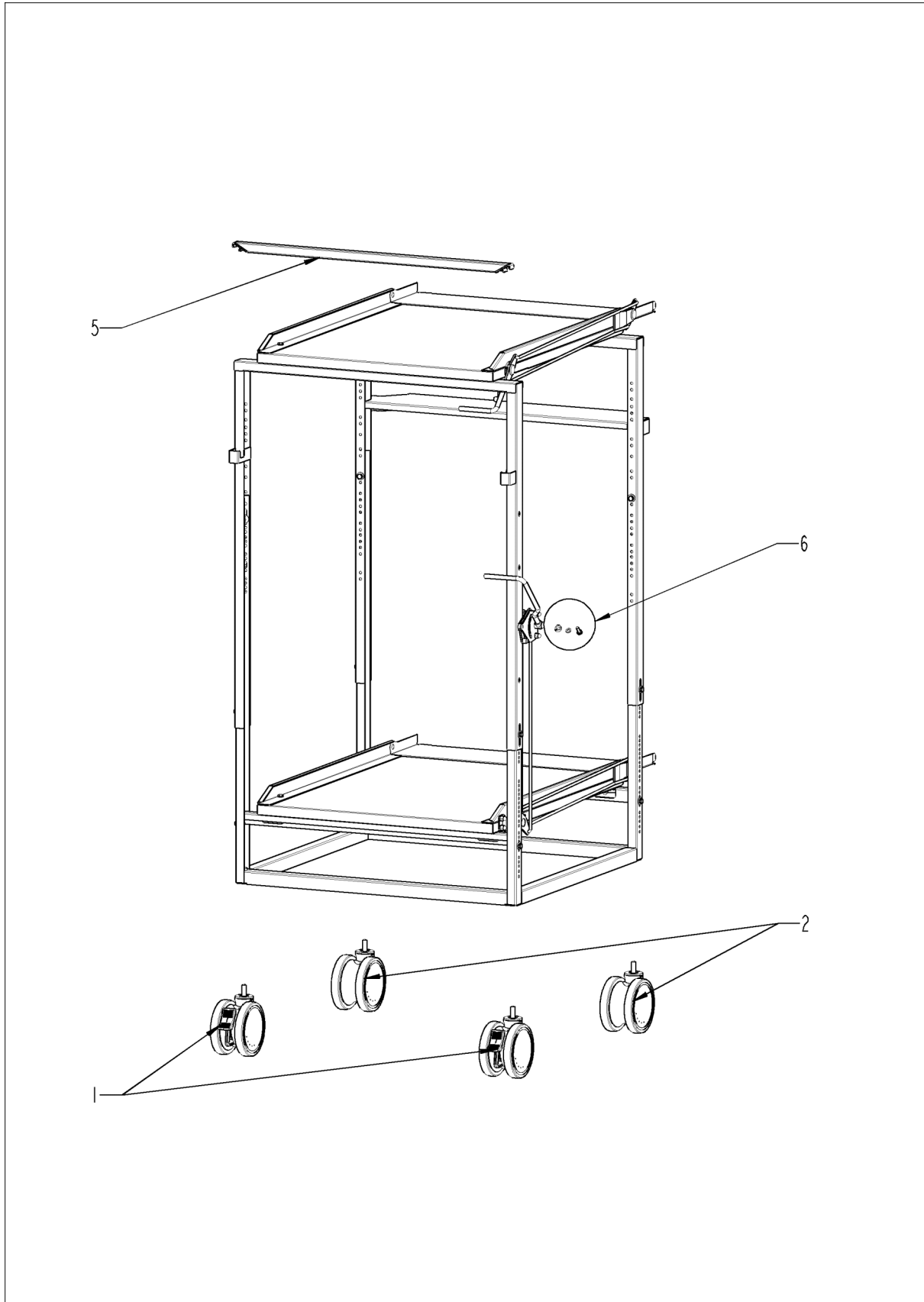
## Heat shield



## Heat shield

Pos.	Part no.	Description	Qty.
1	60.75.111P	heat shield holder top	1

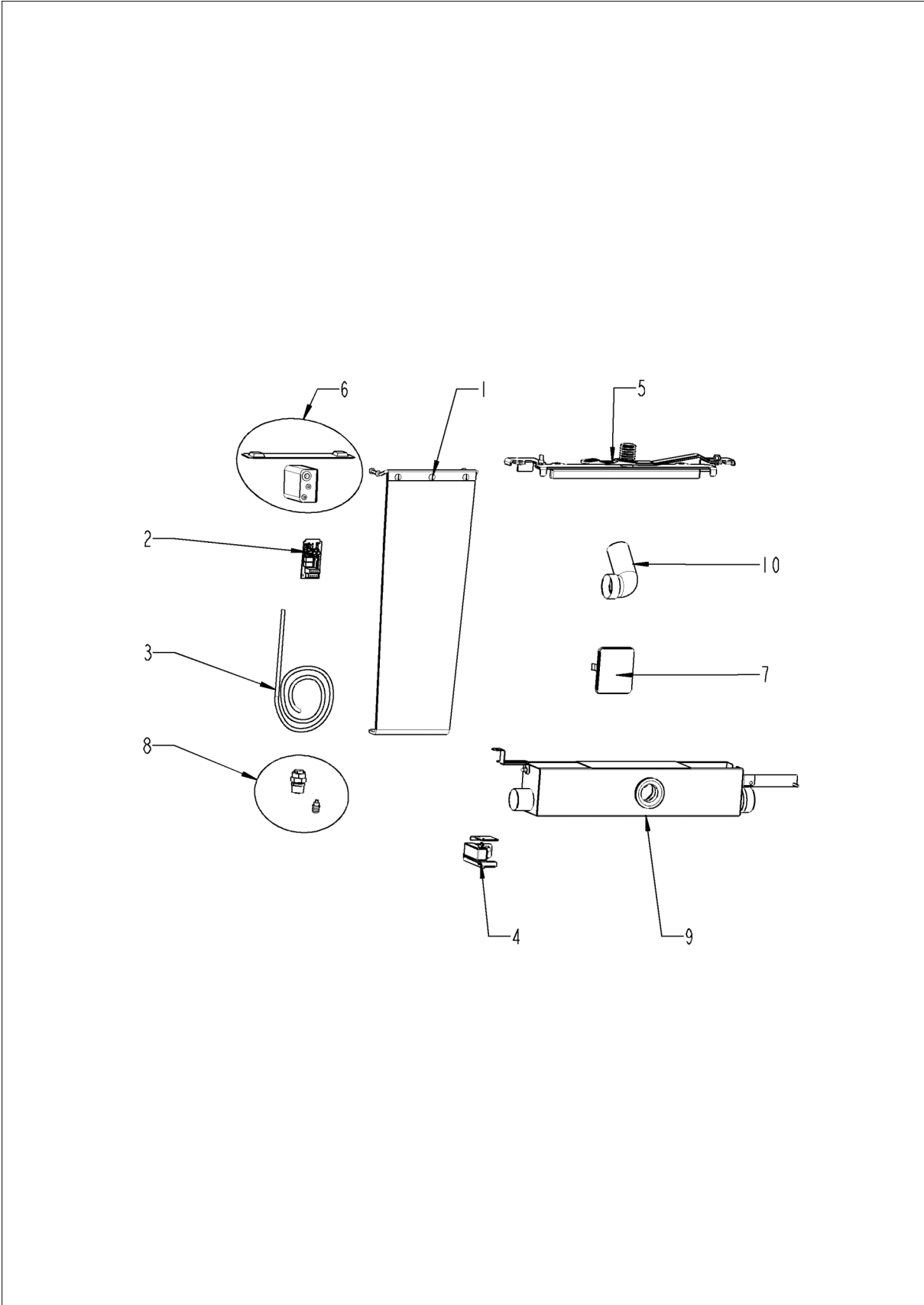
## Transport trolley



## Transport trolley

Pos.	Part no.	Description	Qty.
1	60.74.681P	Castor with brake ø125mm	2
2	60.74.680P	Castor without brake ø125mm	2
5	60.75.849P	Handle for transport trolley	1
6	60.76.540S	Bush for transport trolley	1

## Repair and retrofit kit





## Repair and retrofit kit

Pos.	Part no.	Description	Qty.
1	87.01.866S	Retrofit kit *Collision protection*	1
2	87.01.785S	Retrofit kit Energy_opt.	1
3	40.07.089S	Cable, UPS	1
5	87.01.894S	Door fixing mechanism marine version	1
6	60.76.876	Extension set for USB core temperature probe	1
7	87.01.790S	Conversion kit blind cover for hand shower	1
8	60.77.082	Second water connection for filling the hand shower.	1
9	56.01.809P	Waste water box	1
10	87.01.897	Retrofit kit waste water piping DN90	1

## Index

Part no.	Description	Page
24.03.057P	Abrasion protection for glide socket .....	25
42.00.309S	Adapter pcb f. UVP .....	39
22.01.273P	Air baffle .....	21
40.05.424P	Air inlet filter cpl. ....	11, 27
87.01.553S	Air inlet pipe .....	13
40.06.565P	Air shaft cpl. ....	7
16.03.987P	Back panel, left .....	29
16.04.084P	Back panel, right .....	29
60.75.201P	Baffle plate filter left .....	39, 41, 43
60.76.456P	Baffle plate filter right .....	39, 41, 43
60.72.729P	Ball valve DN32 (1 1/4") .....	47
56.01.424P	Base panel left .....	27
56.01.425P	Base panel right .....	27
60.74.890S	Blower motor for Ultravent .....	39, 41, 43
60.74.889S	Blower motor for Ultravent .....	39, 41, 43
14.00.937P	Bracket for door contact switch .....	27
60.74.311P	Bracket for venting pipe, CombiDuo .....	45
40.06.597P	Bus cable .....	39, 41, 43
40.05.858P	Bus cable 1.08m .....	7
40.05.895P	Bus cable 1.16m .....	7
40.05.839P	Bus cable RJ45 2.85m .....	45
60.76.540S	Bush for transport trolley .....	55
56.01.682S	Bushing CleanJet pipe .....	33
40.00.391S	Cable bushing f. cable entry .....	7
40.04.495P	Cable connection M25 ø5mm *divisible* .....	7
40.06.058P	Cable control harness .....	7
87.01.620S	Cable entry .....	7
40.00.320S	Cable gland M20x1.5 .....	7
40.06.624P	Cable harness base .....	7
40.06.878P	Cable holder .....	7
40.07.451P	Cable hot air probe - eSTB .....	7
40.06.250P	Cable, Care pump .....	7

## Index

Part no.	Description	Page
40.06.082P	Cable, interior light W40 *door lighting*	25
40.07.453P	Cable, steam probe - eSTB	7
40.07.089S	Cable, UPS	57
56.01.245P	Cap for door mounting support bottom	23, 33
10.01.076P	Cap nut M5*A2	17, 19, 21, 27
50.02.309P	Cap nut M10x1	17
60.76.449P	Capacitors	39, 41, 43
56.01.466P	Care container with pump	33
56.01.510S	Care hose	33
60.31.648P	Castor brake	51
60.76.291P	Castor for levelling kit	51
60.74.681P	Castor with brake ø125mm	55
60.73.163S	Castor with brake ø200mm	51
60.73.162S	Castor without brake D=200	51
60.74.680P	Castor without brake ø125mm	55
60.75.366P	Castor, 100mm with brake	51
60.75.365P	Castor, 100mm without brake	51
50.00.156P	Clamp f. hand shower roll guide	31
10.00.087P	Clamp strap f. sensor	21
56.01.486P	Cleaning box	33
56.01.677P	CleanJet hose	33
60.75.215S	Closure Combi-Duo 70mm	39, 41
2001.0109P	Compression spring	23
60.75.160P	Condensate collector 70mm	39, 41, 43
60.72.592	Condensation breaker	35
52.00.106S	Connect. hose f. hand shower roll guide	31
60.76.447S	Connection terminal	39, 41, 43
40.06.454P	Contacteur K3-18NBV10 190R T B01 AZ	9
42.00.292P	Control pcb (w/o Eeprom)	5
42.00.308S	Control pcb UltraVent	39, 41, 43
87.01.790S	Conversion kit blind cover for hand shower	57
40.05.993P	Cooling fan	7

## Index

Part no.	Description	Page
1315.0104P	Copper washer 16x20x1,5 .....	21
10.01.755P	Countersunk screw M5x20 A2 .....	23, 27, 29
1003.2265P	Countersunk self tapping screw 4,2x16 .....	29
16.03.735P	Cover f. control pcb w. gasket .....	5
24.04.596S	Cover for door magnet with magnet .....	25
16.04.110P	Cover for door mounting support .....	23
16.04.093P	Crossbar top .....	29
16.03.752P	Dial f. pulse generator .....	5
24.04.100S	Door .....	23
87.01.812S	Door 2/1 .....	51
24.03.040P	Door bolt .....	23
14.01.057P	Door bolt .....	23
24.02.959P	Door catch .....	23
24.05.383P	Door drip collector .....	25
87.01.894S	Door fixing mechanism marine version .....	57
20.02.551P	Door gasket .....	21
24.04.084P	Door handle .....	23
24.03.041P	Door lock with spring U-bolt .....	23
14.01.056P	Door mounting support bottom .....	23
24.04.217P	Door setting bolt .....	25
40.06.664P	Door switch .....	27
56.01.699P	Drain hose drip collector .....	33
56.01.519P	Drain hose set, humidity control, unit drip collector .....	13, 33
44.02.219S	Drain hose steam generator .....	15
44.02.229P	Drain hose steam generator .....	15
60.72.609P	Drain pipe, bayonet with handle .....	47
24.05.345P	Drain seal for door drip collector .....	25
56.00.952P	Drawer Care container .....	33
40.04.640P	Earth terminal WKFN 6 SL/35 .....	9
60.74.841S	Elbow .....	45
60.75.175S	Electric box cover front .....	39, 41, 43
60.75.209P	Electrical box cover .....	39, 41, 43

## Index

Part no.	Description	Page
60.75.171S	Electrical box cover back .....	39, 41, 43
60.75.212P	Electrical box seal .....	39, 41, 43
40.06.384P	Electrical mounting plate .....	9
42.00.336P	Electronic noise filter .....	9
44.02.287P	Emergency drainage hose .....	15
56.01.454S	Emergency overflow cleaning box .....	33
56.01.024P	Emptying pump .....	15
60.76.409P	End cap for Internal fat drain .....	47
40.05.280P	End cover APFN 10 D1/2/35 .....	9
60.76.546S	Exhaust air plate .....	43
60.76.876	Extension set for USB core temperature probe .....	57
42.00.293P	External memory .....	5
87.01.559S	Fan motor .....	19
22.01.151S	Fan wheel .....	19
60.76.571S	filter cassette clp. ....	39
24.03.787S	Fixing bracket kit for interior glass pane .....	25
40.03.756P	Fixing clip f. pcb .....	9
40.06.053P	Fixing device for safety temperature limiter .....	21
22.01.427P	Flange f. motor shaft gasket .....	19
60.31.283P	Foot adjustable,30x30 .....	51
60.75.199S	Front hood .....	39
60.75.195S	Front hood .....	41, 43
16.03.634P	Front panel .....	29
60.75.177S	Front panel .....	39, 41, 43
60.75.867S	Front panel .....	45
87.01.536S	Front panel with overlay *RAT* .....	5
40.06.767P	Fuse 4A *Typ 5HT 4-R* .....	9
60.75.156P	Gasket 70mm .....	39, 41, 43
56.01.461P	Gasket DN60 .....	33
46.00.289P	Gasket f. heating assembly .....	17
44.02.503P	Gasket f. heating element .....	15
54.01.168P	Gasket f. inspection lid .....	31

## Index

<b>Part no.</b>	<b>Description</b>	<b>Page</b>
12.02.665P	Gasket for base frame .....	27
60.74.564P	Gasket for int. fat drain .....	47
16.01.434P	Gasket for venting tube d=73mm .....	27
44.02.200P	Gasket SC pump .....	15
56.00.874P	Gasket wastewater .....	47
22.01.425P	Graphit seal for gasket flange .....	19
56.01.422P	Grid cover .....	27
44.01.505P	Grommet Ø12x8,2 .....	15
52.00.127S	Hand shower black .....	31
52.00.096P	Hand shower roll guide .....	31
60.75.849P	Handle for transport trolley .....	55
60.75.218S	Heat protection plate .....	39, 41, 43
60.75.409P	Heat Shield .....	45
60.75.111P	heat shield holder top .....	53
40.03.932P	Heat sink big 2 SSR .....	7
87.01.673S	Heating assembly with gasket .....	17
44.02.195S	Heating element with gasket .....	15
60.75.210P	HEPA filtert .....	39
10.01.065P	Hex nut M5 .....	21
10.00.709P	Hex nut M6 w. locking .....	9, 15, 19
10.01.751P	Hex nut M16 DIN934 A2 .....	21
10.00.109P	Hex screw M5x23 .....	17
10.01.719P	Hex screw M6x12 .....	23
10.00.099P	Hex screw M8x12 .....	23
10.00.936P	Hex screw M8x20 .....	19
24.05.303S	Hinge cover .....	25
60.62.123	Hinging rack type 6-2/1, .....	35
24.02.958P	Holding bracket f. door catch .....	23
16.03.749P	Hook for parking position .....	5
2066.0205P	Hose clamp 8-16x9 mm SW 7mm .....	15
2066.0521P	Hose clamp 27mm .....	33
2066.0518P	Hose clamp 30mm .....	15

## Index

Part no.	Description	Page
10.01.262P	Hose clamp 76 mm .....	31
10.00.982P	Hose clamp D=18.2 .....	33
2066.0527P	Hose clamp ø14mm .....	13, 33
10.01.686P	Hose clamp Ø82mm .....	31
56.00.752P	Hose fitting EPDM-70ShA .....	33
2067.0709P	Hose for water supply 2500mm .....	31
22.01.521P	Hose set f. humidity control .....	13
60.75.211P	Hose set Filter detection .....	39
50.02.115P	Hose, water supply, steam generator .....	15
22.01.402P	Humidity control cpl. ....	13
24.04.330S	Inner door pane .....	25
54.01.896S	Inspection lid, B2 .....	31
40.06.409P	Interface cable LAN 1.5m .....	5
40.06.837P	Interface cable USB VarioSmoker .....	49
40.06.043P	Interface USB .....	7
24.02.960P	Interlocking tooth screw M5x6 .....	23
40.05.919P	IO-module .....	9
60.76.572S	IPX5 Coverage .....	39
60.76.534S	IPX5 Coverage .....	41
20.02.807P	Isolation for mounting plate for motor .....	19
60.72.619	Jerry can 10l (2,64USGAL) .....	47
87.01.621S	Kit Steam generator insulated .....	15
87.01.578S	LED bar .....	25
87.01.586S	LED optics .....	25
60.72.745P	Lid for tray, hole left side, GN1/2 .....	47
60.72.696P	Lid for tray, hole right side, GN1/2 .....	47
24.04.211P	Lock cover .....	23
50.02.112P	Locking plate f. water distribution .....	31
10.01.703P	Locking ring 16 mm .....	33
10.01.707P	Locking ring 25mm .....	15
40.07.257P	Loudspeaker K 64 WP FR .....	11
46.00.290P	Mating flange f. heating assembly .....	17

## Index

Part no.	Description	Page
40.06.217P	Meat probe sensor .....	21
16.03.748P	Metal clamp f. panel insert .....	5
44.02.493S	Molded hose with level electrode .....	15
42.00.278P	Motor control for fan motor .....	19
60.75.179S	Motor mounting plate .....	39, 41, 43
22.00.985P	Motor shaft gasket D15 .....	19
40.05.435P	Mounting device f. pressure sensor .....	13
40.06.074P	Mounting device heat sink SSR .....	7
60.76.115S	Mounting device kit for VarioSmoker .....	49
22.01.423P	Mounting support f. gasket flange .....	19
40.04.953P	Mounting support for pump pcb .....	9
40.05.968P	Mounting support power transformer .....	7
56.01.481P	O Ring emergency overflow .....	33
10.01.694P	O-ring for humidity control .....	13
56.01.631P	O-ring for pump .....	33
1008.0768P	Ornamental screw M8x16 .....	23
1008.0769P	Ornamental screw M8x30 .....	7
56.01.503P	Outlet sieve .....	21
10.01.266P	Pan head screw Torx T20 10,5mm .....	7
10.01.776P	Pan head screw Torx T20 M4x12 .....	7
56.01.419P	Plastic cap .....	27
24.05.458P	Plastic spreader rivet .....	25
50.00.085P	Plug-in spring f. hand shower roll guide .....	31
60.71.022	Positioning support for core sensor .....	35
60.76.448S	Power chokes .....	39, 41, 43
40.06.740P	Power supply cable 5x4 mm <sup>2</sup> 3m .....	7
60.75.376P	Power supply for VarioSmoker *ARG* .....	49
60.75.386P	Power supply for VarioSmoker *BRA* .....	49
60.75.378P	Power supply for VarioSmoker *CH* .....	49
60.75.372P	Power supply for VarioSmoker *EU* .....	49
60.75.374P	Power supply for VarioSmoker *UK* .....	49
60.75.368P	Power supply for VarioSmoker *US* .....	49



## Index

Part no.	Description	Page
60.75.214P	Prefilter metal mesh .....	39
60.76.528S	Pressure frame HEPA filtert .....	39
3017.1011P	Pressure sensor Huba 401 .....	13
40.06.037P	Pulse generator .....	5
56.01.028P	Pump f. CareControl .....	33
56.01.020P	Pump f. cleaning .....	33
40.06.625P	Pump harness .....	7
44.02.179S	Pump housing .....	15
42.00.273P	Pump pcb .....	9
87.01.866S	Retrofit kit *Collision protection* .....	57
87.01.785S	Retrofit kit Energy_opt. ....	57
87.01.897	Retrofit kit waste water piping DN90 .....	57
10.00.515P	Rivet 3,2x6.8 A2/NSF .....	21
1604.0161P	Rivet 4x6 CNS .....	25
10.00.904P	Rivet B4x8 .....	25
10.00.989P	Rivet with screw .....	7, 9, 25, 27
10.02.008P	Rivet with screw .....	25
54.01.729S	Rubber form piece venting pipe .....	31
87.01.542S	Safety device / water supply for steam generator .....	15
40.06.682P	Safety temperature limiter .....	21
40.06.098P	Screen core temperature sensor .....	21
40.05.489P	Screen interior cabinet sensor .....	21
16.04.062P	Sealing block .....	5
16.03.701P	Sealing block LAN .....	5
10.00.991P	Sealing cap .....	17
16.03.342P	Sealing f. panel insert .....	5
60.77.082	Second water connection for filling the hand shower. ....	57
16.03.409P	Side panel left .....	29
60.74.739S	Side panel left .....	45
16.04.075P	Side panel right .....	29
60.75.174P	side panels .....	39, 41, 43
24.00.171P	Silicone buffer 7mm for door .....	25

## Index

Part no.	Description	Page
56.01.688S	Silicone hose with hose clamps .....	33
24.03.056P	Slide bush for door .....	25
60.76.691P	Smoking box for VarioSmoker .....	49
1104.0820P	Snap nut 4,2mm .....	29
50.02.102P	Solenoid valve triple .....	31
40.00.453P	Solid state relais .....	7
60.76.574P	spacer CPU .....	39, 41, 43
24.03.764P	Spacer for door .....	25
87.01.438	Spacer kit for glass pane .....	25
60.31.351P	Stainless steel base .....	51
50.02.133P	Supply hose for "Care box" .....	33
44.02.225S	Supply hose safety armature .....	15
40.06.112S	Temperature sensor eSTB *HA* .....	21
40.06.133P	Temperature sensor eSTB 100mm *S* .....	15
40.05.277P	Terminal block blue WKFN6/35 .....	9
40.04.642P	Terminal block grey WKFN 10 D1/2/35 .....	9
40.05.995P	Thermocouple .....	21, 39, 41, 43
87.01.781S	Thermocouple .....	39, 41, 43
40.06.210S	Thermocouple humidity *B4* .....	21
40.06.225P	Thermocouple steam generator *B5* .....	15
1205.0120P	Tooth lock washer A5,3 .....	27
16.03.404P	Top cover .....	29
6013.1210	Tray, 1/2 GN, 100 mm (4") deep .....	47
40.06.044P	USB socket with cable .....	5
72.00.492P	V Clamp 50mm right .....	15
22.01.409P	Vent cover .....	13, 27
54.01.604P	Ventilation pipe .....	31
60.75.414P	Venting pipe for Combi-Duo .....	45
60.74.747P	Venting pipe for Combi-Duo Univ. ....	45
1308.0162P	Washer A8,4 .....	19
56.01.809P	Waste water box .....	57
56.01.523P	Waste water cover .....	27



## Index

Part no.	Description	Page
56.01.017P	Waste water pump Cleaning box .....	33

