



Modular ice maker - Granular system

Hotel	██████████
Restaurant	██████████
Fast food	██████████
Bar	██████████
Disco	██████████
Fish market	██████████
Supermarket	██████████
Medical & SPA	██████████
Industry	██████████

► Position n°



► Features & Plus

- Granular ice - 80-82% dry
- 1l (water) - 1kg (ice)
- AISI 304 SS Scotch Brite finish
- Tropical class +43°C
- Specific volume 1 m³ = 550 kg of ice
- Removable and cleanable air filter
- AISI 304 SS evaporator
- Air cooling system
- Easy cleanable internal rounded surfaces
- Dust-proof water basin
- RoHS Free
- Electromechanical operation
- ON-OFF rocker switch
- Rotation sensor on low speed shaft
- Automatic water charge
- Frame in INOX



Removable and cleanable air filter



AISI 304 SS evaporator



Dust-proof water basin



Easy cleanable internal rounded surfaces



Frame in INOX

Years Warranty

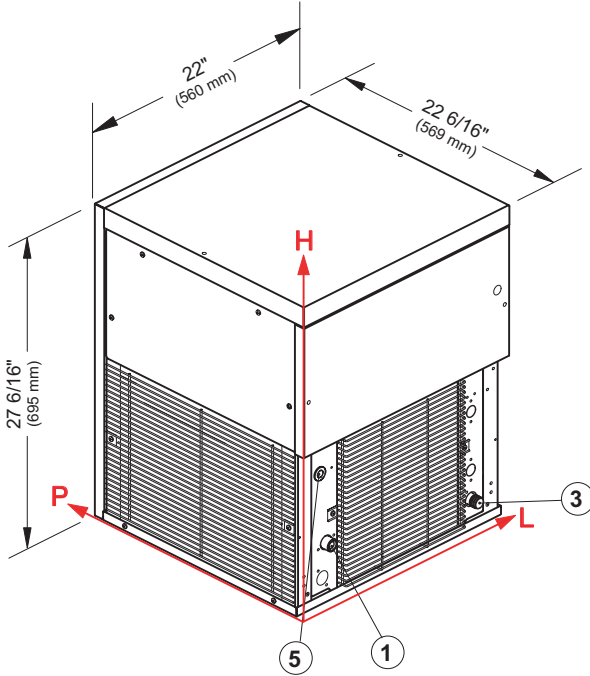
subject to limitations

► Prod. 24h

	Air temp.	Water temp.	lbs
	50° F	50° F	728
	70° F	60° F	657
	90° F	70° F	556

► Certifications available for this model



**Modular ice maker - Granular system****► Working conditions**

- Location: **Indoor**

	Min	Max
Ambient temperature	+50° F	+110° F
Water temperature	+37° F	+90° F
Voltage	-10%	+10%
Water inlet pressure	1bar (14 psi)	6bar (84 psi)

► Connections

All measures are referred to the down-left corner (L-H-Ø)

- ① Water in.: 3 6/16 " - 5 2/16 " - 3/4"
- ② Electrical connection: 2 11/16 " - 11 7/16 " - 15/16"
- ③ Water out.: 18 14/16 " - 2 9/16 " - 15/16"

► Technical information

Production in 24h *	556 lbs	Water consumption **	12 gal/100 lbs
Cooling system	A	Sizes (L-P-H in)	22 - 22 6/16 - 27 6/16
Refrigerant	R404A	Sizes with pack (L-P-H in)	25 6/16 - 25 6/16 - 35 13/16
Standard voltage model 115 V	115 V ~ 60Hz	Net weight	183 lbs
model 220 V	220 V ~ 60Hz	Gross weight	205 lbs
Electrical consumption ***	1050 W	Finish	AISI 304 stainless steel, scotch brite
Fuse model 115 V	25 A		
model 220 V	15 A		

All the technical information must be considered at the following conditions:

* Production at Ambient temperature **+90° F** / Water temperature **+70° F**

** Water consumption at Ambient temperature **+70° F** / Water temperature **+60° F**

*** Electrical consumption at ambient temperature **+109° F**

Models and specifications are subject to change without notice

Rev. 01 - Issued January 2016

