

Section 4: Parts

- **Parts Warranty Explanation**
- **Model C712 Exploded View**
- **Operator Parts (Model C712)**
- **Model C713 Exploded View**
- **Operator Parts (Model C713)**
- **Control A. - X67560-27 (Model C712)**
- **Control A. - X67561-27-(Model C713)**
- **Box A.-Cap & Relay - X6540227SP - (Model C712 & C713/Bristol)**
- **Box A.-Cap & Relay - X81081-27 (Model C713/Copeland)**
- **Pump A.-Mix Simplified - X57029- (Model C712)**
- **Door and Beater Assembly (Model C712)**
- **Door and Beater Assembly (Model C713)**
- **Plate A.-Dec (Model C712)**
- **Plate A.-Dec (Model C713)**
- **Rail-Syrup - X63883-27 (Optional)**
- **Switch A.-Dual Lever - X69838 (Model C712 & C713)**
- **Actuator A.-Draw Switch - X69835 (Model C712 & C713)**
- **Blower A. X53725-27 (Model C712 & C713)**
- **Condenser A. - X68077-27G (Model C712 & C713)**
- **Accessories**
- **Brushes (Model C712 & C713)**

Parts Warranty Explanation

- Class 103 Parts:** The warranty for new equipment parts is one year from the original date of unit installation, with a replacement parts warranty of three months.
- Class 212 Parts:** The warranty for new equipment parts is two years from the original date of unit installation, with a replacement parts warranty of twelve months.
- Class 512 Parts:** The warranty for new equipment parts is five years from the original date of unit installation, with a replacement parts warranty of twelve months.
- Class 000 Parts:** Wear Items—no warranty.

CAUTION: Warranty is valid only if required service work is provided by an authorized Taylor service technician.

Note: *Taylor reserves the right to deny warranty claims on equipment or parts if a unapproved refrigerant was installed in the machine, system modifications were performed beyond factory recommendations, or it is determined that the failure was caused by neglect or abuse.*

Note: *See your authorized Taylor distributor for possible labor warranty.*

Model C712 Exploded View

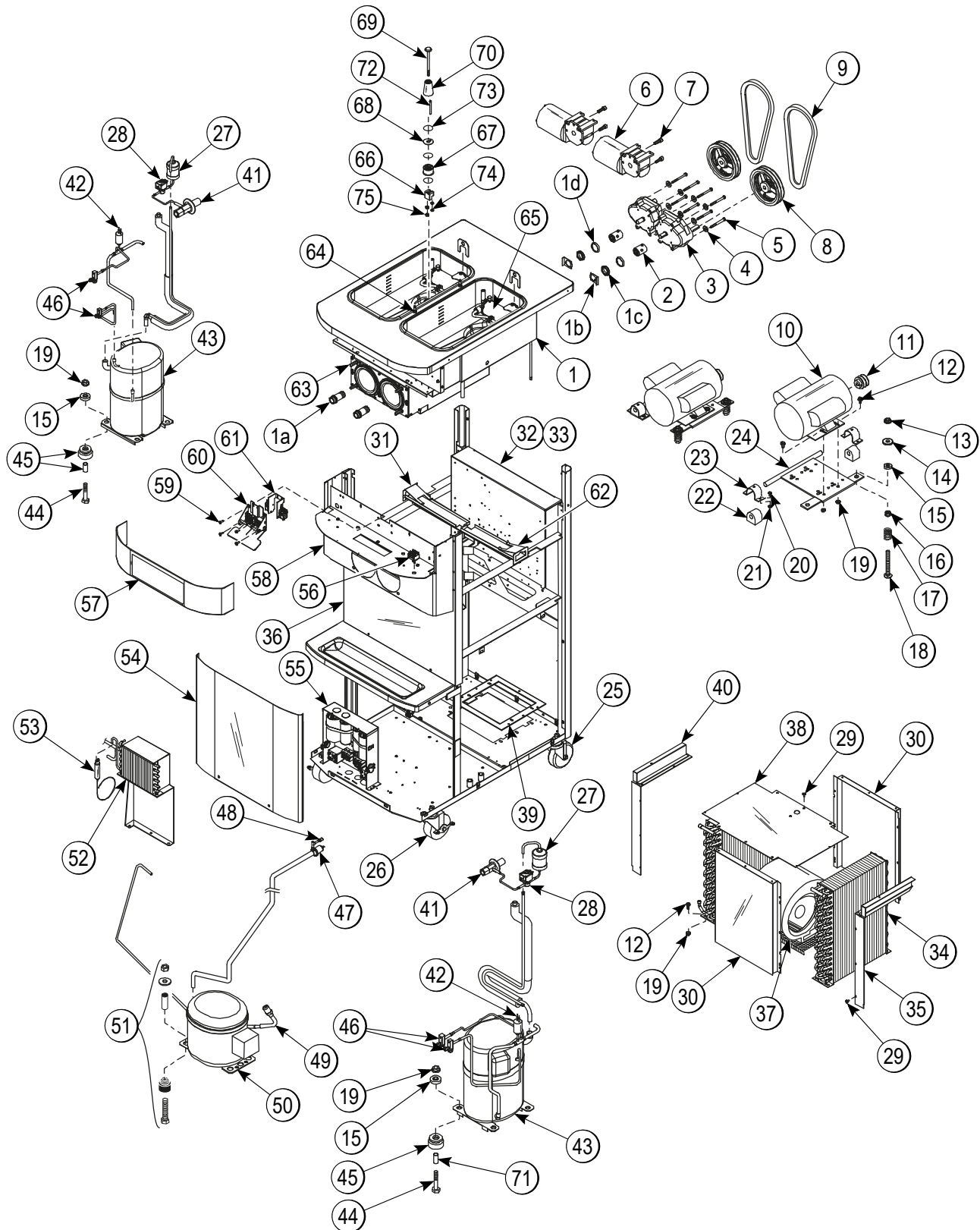


Figure 4-1

PARTS

Model C712 Exploded View Parts Identification

Item	Description	Part No.
1	Shell A.-Insulated	X63324-SER
1a	Bearing-Rear Shell	031324
1b	Washer-Bearing Lock	012864
1c	Nut-Bearing	028991
1d	Guide-Drip Seal	028992
2	Coupling-Drive 3/4 Hex	012721
3	Gear A.*Reducer 4.21:1	021286-SER
4	Washer-5/16 SAE Flat	017660-SP
5	Screw-5/16-18X3-1/4 Hex	022678
6	Motor-Reducer-32 RPM	036955-34S
7	Screw-1/4-20X-3/4 Socket	020128-2
8	Pulley-2AK74-5/8	027822
9	Belt-AX32	032769
10	Motor-1.5 HP	021522-27
11	Pulley-2AK22	016403
12	Screw-5/16-18X5/8 SERR.	017326
13	Nut-Flange-5/16-18 Lock	011860
14	Washer-5/16 USS Flat	000651
15	Cap-Rubber Mount	011844
16	Grommet-7/16 X 5/16	016212
17	Spring-Comp.970X.115X2	025707
18	Bolt-Carriage-5/16-18X3	056331
19	Nut-5/16-18 Flange Nut	017327
20	Screw-1/4-20X5/8 SERR	017522
21	Nut-1/4-20 Flange Lock	017523
22	Bushing-Rubber Mount	012258
23	Clamp-Mounting	012257
24	Hinge A.-Motor	X25736
25	Caster-4" SWV 3/4-10 STM	044106
26	Caster-4" SWV w/Brake	046437
27	Dryer-Filter-HP62-3/8	048901
28	Valve-Solenoid 7/64ORF	043449-27
29	Screw-10X3/8 Slotted	015582

Item	Description	Part No.
30	Shroud-Front & Rear	059884
31	Guide A.-Drip Pan-Left	X59910
32	Control A. (See Pg 4-13)	X67560-27
33	Cover-Control Box	067984
34	Condenser-AC Left	055813-1
	Condenser-AC Right	055813-2
35	Guide A.-Filter-Right	X59930
36	Panel A.-Front	X63879
37	Blower A.-Std Output (See Pg 4-27)	X53725-27
38	Shroud-Top	059838
39	Plate-Adaptor-Blower	059926-SP
40	Guide A.-Filter-Left	X59931
41	Valve-Exp-Auto-1/4S X1/4	046365
42	Switch-Pressure 440 PSI	048230
43	Compressor	048259-27E
44	Screw-5/16-18X1-3/4	019691
45	Grommet-Compressor	037428
46	Valve-Access-1/4MFL	053565
47	Valve-EPR 1/4S	022665
48	Valve-Access-1/4FL X 1/4	044404
49	Valve-Access-1/4 MFLX1/4	047016
50	Compressor TL3G-R134A	047701-27
51	Kit-MT-Compressor	047704
52	Condenser A.-Danfoss	X68077-27G See Pg 4-28
53	Dryer-Cap. Tube .026ID	047699
54	Panel A.-Front Lower	X59854-SER
55	Box A.-Cap&Relay	X6540227SP See Pg 4-17
56	Switch-Toggle-3PDT	068221
57	Plate-DEC	062121 See Pg 4-22
58	Panel A.-Front *Upper	X59836

PARTS

Item	Description	Part No.
59	Screw-10-32X1/2	048330
60	Actuator A.-Draw Switch	X69835 See Pg 4-26
61	Switch A.-Dual Lever	X69838
62	Guide A.-Drip Pan-Right	X59911
63	Stud-Nose Cone	055987
64	Pin-Retaining-Hopper	043934
65	Pump A.-Mix Simplified S.S.	X57029-14 See Pg 4-19
66	Spacer-Mix Probe	056985

Item	Description	Part No.
67	Spacer-Probe-Mix-Mid	056907
68	Probe-Mix Out	056908
69	Probe A.-Mix	X56912
70	Spacer-Probe-Mix-Upper	056910
71	Sleeve-Mounting-Comp.	039924
72	Screw-10-32X2-1/4 Slot	057610
73	O-ring-1-3/8 OD X .070W	017395
74	Nut-10-32 Hex Screw	005598
75	Nut-1/4-20 Finished Hex	000707

Operator Parts (Model C712)

4

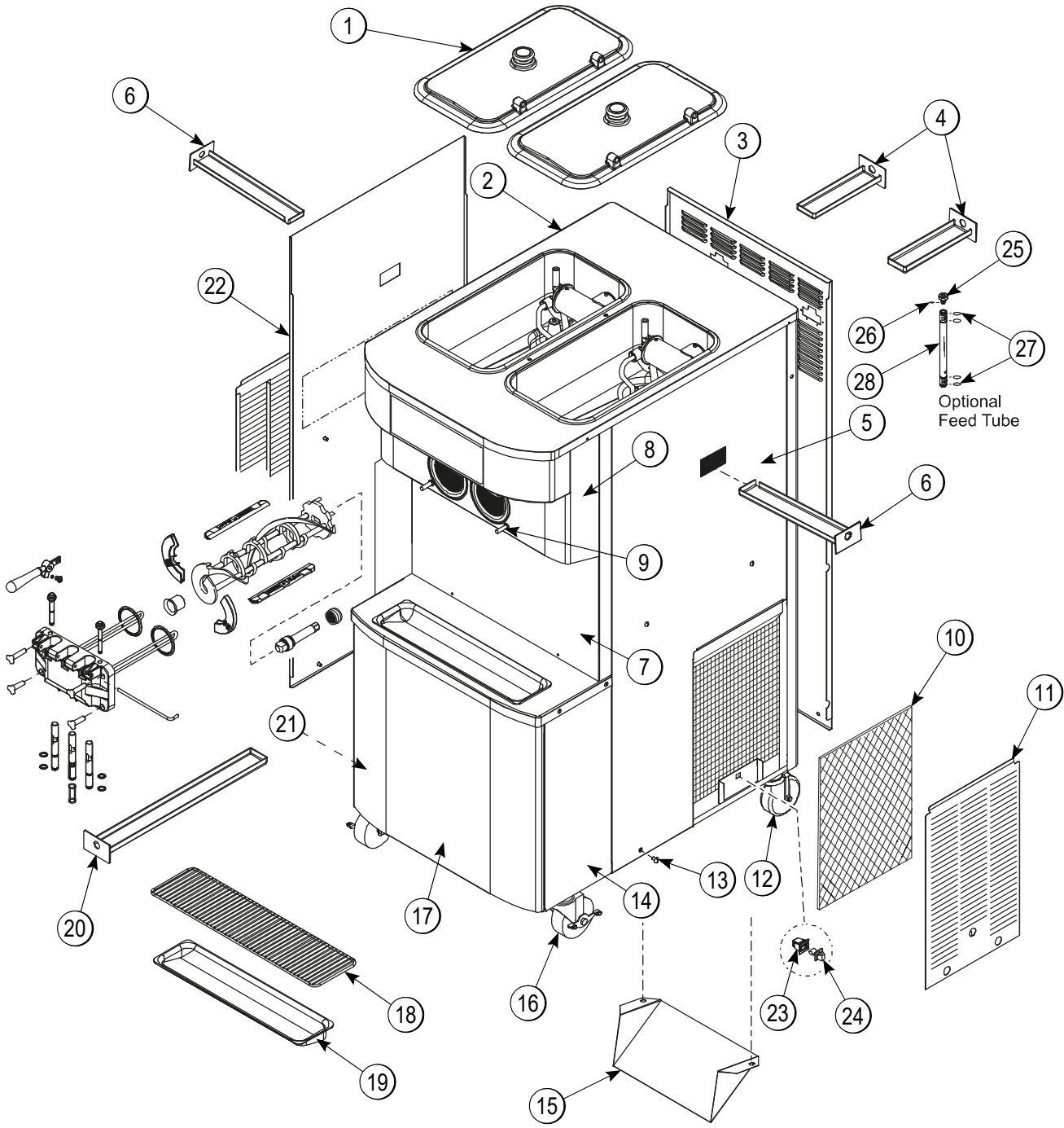


Figure 4-2

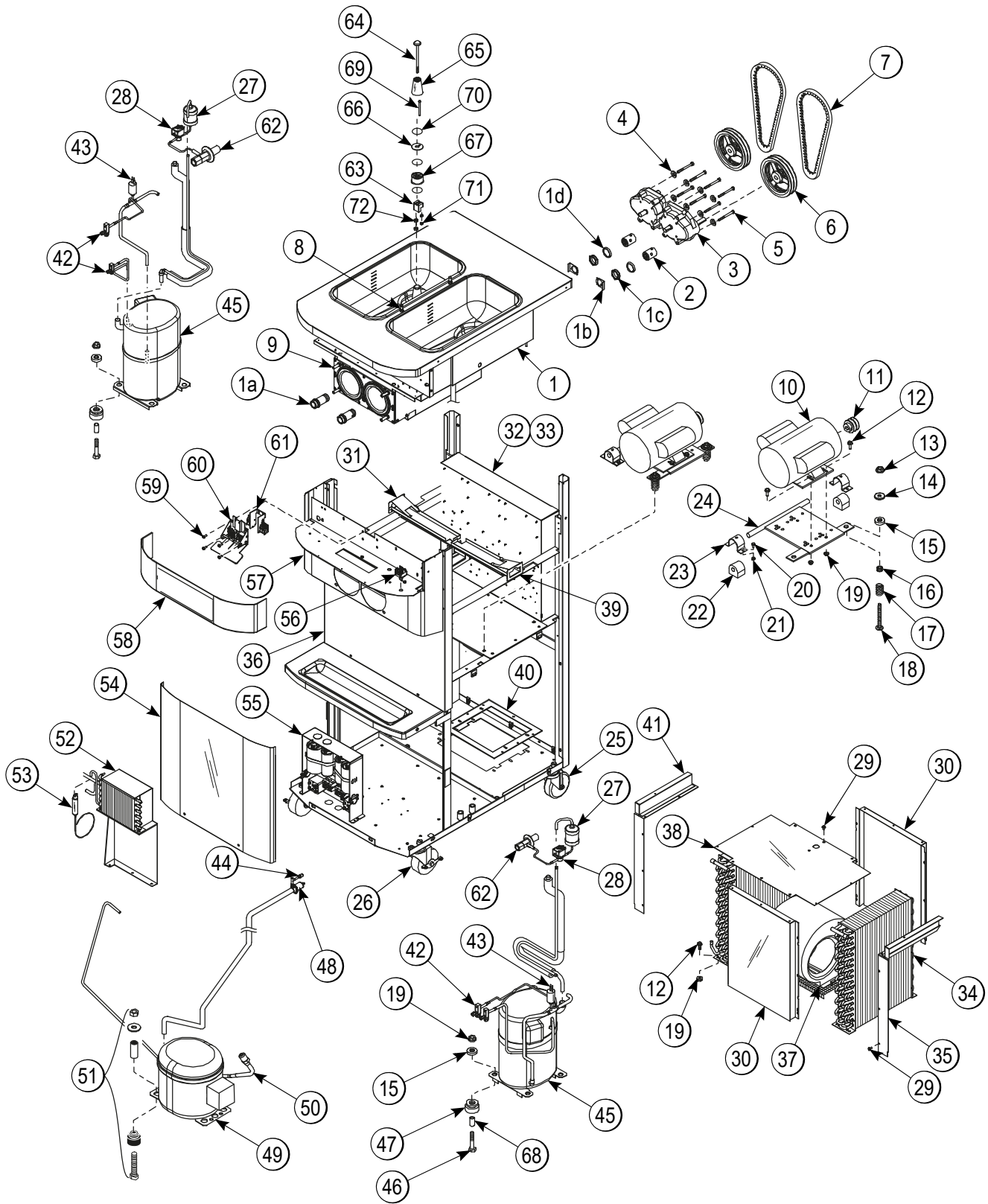
C712 Exploded View Parts Identification

Item	Description	Part No.
1	Kit A.-Cover-Hopper*Dual	X67061-SP
2	Pump A.-Mix Simplified	X57029-14
3	Panel-Rear	064258-SER
4	Pan-Drip 7.875	059737
5	Panel-Side*Right	059907
6	Pan-Drip 12.5	059736
7	Panel A.-Front-Middle	X63879
8	Panel A.-Front-Upper	X59836
9	Stud-Nose Cone	055987
10	Filter-Air-Poly-Flo	052779-11
11	Panel A.-Filter-Louvered	X59928
12	Caster-4" SWV 3/4-10 STM	044106
13	Screw-1/4-20 X 3/8 RHM	011694
14	Panel-Corner-Front-R	063087
15	Deflector-Blower EXH	047912

Item	Description	Part No.
16	Caster-4" SWV 3/4-10 Stem w/ Brake	046437
17	Panel A.-Front Lower	X59854-SER
18	Shield-Splash-Wire-19-3/4 L	033813
19	Tray-Drip-19-5/8 L X 4-7/8	033812
20	Pan-Drip 19-1/2 Long	035034
21	Panel-Corner-FRNT-L	063088
22	Panel-Side-Left	059906
23	Fastener-Door Latch	030787
24	Fastener-Door Strike	030788
*25	Orifice	022465-100
*26	O-ring-3/8 OD X .070W (100 to Bag)	016137
*27	O-ring-.643 OD X .077W (50 to Bag)	018572
*28	Tube A.-Feed-SS-5/32 Hole	X29429-2

*Optional Feed Tube - Can be used instead of mix pump.

Model C713 Exploded View



4

Figure 4-3

Model C713 Exploded View Parts Identification

Item	Description	Part No.
1	Shell A.-Insulated	X63337-SER
1a	Bearing-Rear Shell	031324
1b	Washer-Bearing Lock	012864
1c	Nut-Bearing	028991
1d	Guide-Drip Seal	028992
2	Coupling-Drive 3/4 Hex	012721
3	Gear A.*Reducer 4.21:1	021286-SER
4	Washer-5/16 SAE Flat Zinc	017660-SP
5	Screw-5/16-18X3-1/4 Hex HD	022678
6	Pulley-2AK64-5/8 Bore	039695
7	Belt-AX30	052191
8	Pin-Retaining-Hopper CVR	043934
9	Stud-Nose Cone	055987
10	Motor-1.5 HP	021522-27
11	Pulley-2AK22	016403
12	Screw-5/16-18X7/8 SERR.	017973
13	Nut-Flange-5/16-18 Lock	011860
14	Washer-5/16 USS Flat CR3	000651
15	Cap-Rubber Mount	011844
16	Grommet-7/16 X 5/16	016212
17	Spring-Comp.970X.115X2.00	025707
18	Bolt-Carriage-5/16-18X3	056331
19	Nut-5/16-18 Whiz Flange	017327
20	Screw-1/4-20X5/8 Serrated	017522
21	Nut-1/4-20 Flange Lock	017523
22	Bushing-Rubber Mount	012258
23	Clamp-Mounting	012257
24	Hinge A.-Motor	X25736
25	Caster-4" SWV 3/4-10 Stem	044106
26	Caster-4" SWV 3/4-10 Stem w/ Brake	046437
27	Dryer-Filter-HP62-3/8	048901
28	Valve-Solenoid 7/64ORF	043449-27
29	Screw-10X3/8 Slotted Hex	015582

Item	Description	Part No.
30	Shroud-Front & Rear	059884
31	Guide A.-Drip Pan-Left	X59910
32	Control A. (See Pg 4-15)	X67561-27
33	Cover-Control Box	067984-SP1
34	Condenser-AC (Left)	055813-1
	Condenser-AC (Right)	055813-2
35	Guide A.-Filter-Right	X59930
36	Panel A.-Front	X63879
37	Blower A.-Std Output	X53725-27
37a	Motor-Fan 208-230V 50/60	053481-27
37b	Capacitor-Run 7.5UF/370V	034749
38	Shroud-Top	059838
39	Guide A.-Drip Pan-Right	X59911
40	Plate-Adaptor-Blower	059926-SP
41	Guide A.-Filter-Left	X59931
42	Valve-Access-1/4MFL X 3/8	053565
43	Switch-Pressure 440 PSI	048230
44	Valve-Access-1/4FL X 1/4	044404
45	Compressor L64A113BBCA	048259-27E
46	Screw-5/16-18X1-3/4	019691
47	Grommet-Compressor MT	037428
48	Valve-EPR 1/4S	022665
49	Compressor TL3G-R134A	047701-27
50	Valve-Access-1/4 MFLX1/4	047016
51	Kit-Mounting-Compressor	047704
52	Condenser A.-Danfoss	X68077-27G See Pg 4-28
53	Dryer-Cap. Tube .026ID	047699
54	Panel A.-Front Lower	X59854-SER
55	Box A.-Cap&Relay *Bristol	X6540227SP See Pg 4-17
56	Switch-Toggle-3PDT	068221
57	Panel A.-Front *Upper	X59836
58	Plate-DEC	062122 See Pg 4-23

PARTS

Item	Description	Part No.
59	Screw-10-32X1/2 Torx	048330
60	Actuator A.-Draw Switch	X69835 See Pg 4-26
61	Switch-Lever-SPDT-10A-125	028889
62	Valve-Exp-Auto-1/4S X1/4	046365
63	Spacer-Mix Probe	056985
64	Probe A.-Mix	X56912
65	Spacer-Probe-Mix-Upper	056910

Item	Description	Part No.
66	Probe-Mix Out	056908
67	Spacer-Probe-Mix-Middle	056907
68	Sleeve-Mounting-Comp.	039924
69	Screw-10-32X2-1/4 Slot	057610
70	O-ring-1-3/8 OD X .070W	017395
71	Nut-10-32 Hex Screw	005598
72	Nut-1/4-20 Finished Hex	000707

Operator Parts (Model C713)

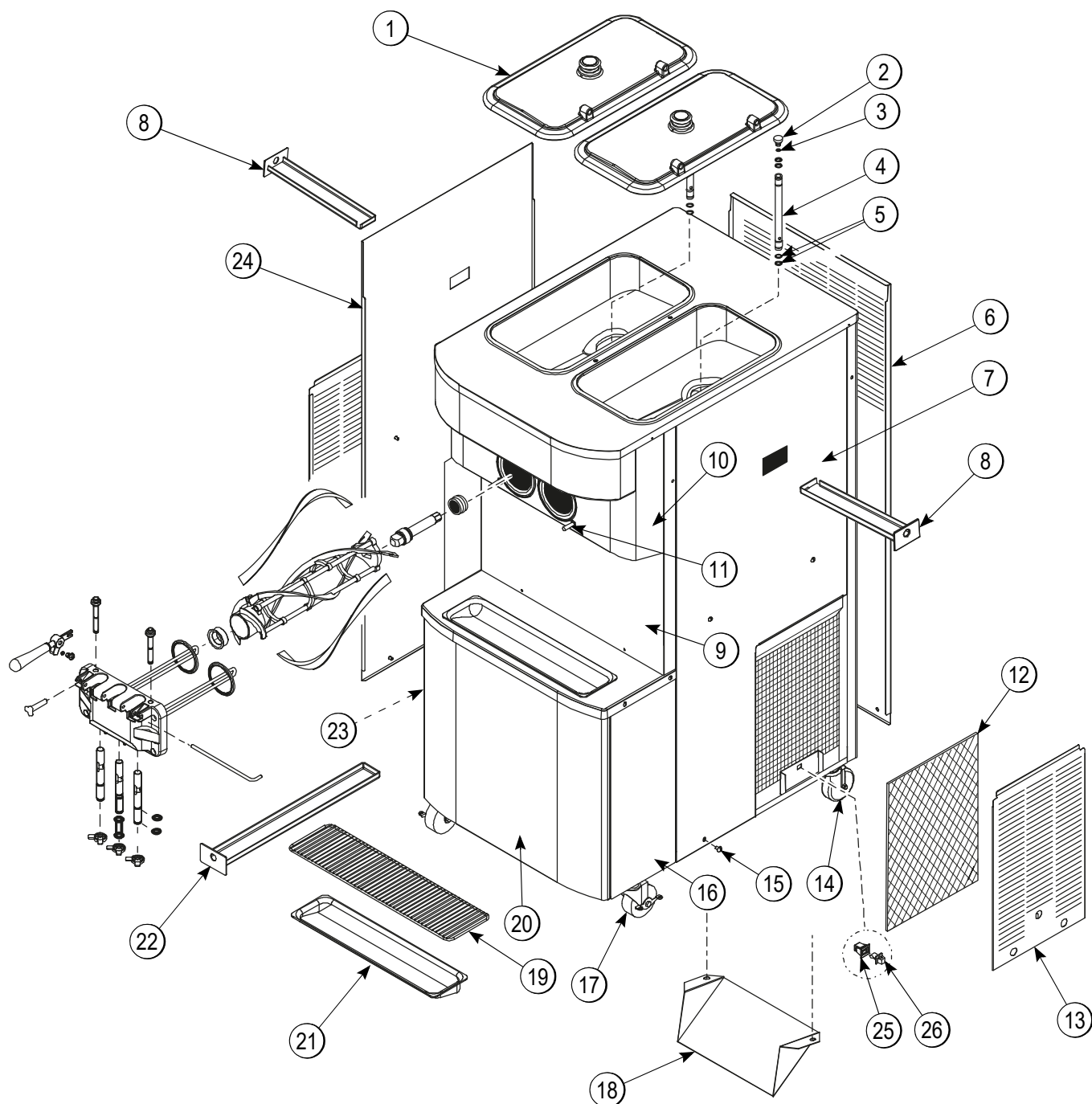


Figure 4-4

4

PARTS

C713 Exploded View Parts Identification

Item	Description	Part No.
1	Kit A.-Cover-Hopper	X67061-SP
2	Orifice	022465-100
3	O-ring-Pkg (100 to Bag)	016137-SER
4	Tube A.-Feed-SS-5/32 Hole	X29429-2
5	O-ring-.643 OD X .077 W	018572
6	Panel-Rear	059917
7	Panel-Side*Right	059907
8	Pan-Drip 12.5	059736
9	Panel A.-Front	X63879
10	Panel A.-Front	X59836
11	Stud-Nose Cone	055987
12	Filter-Air-Poly-Flo	052779-11
13	Panel A.-Filter-Louvered	X59928

Item	Description	Part No.
14	Caster-4" SWV 3/4-10 STM	044106
15	Screw-1/4-20 X 3/8 RHM	011694
16	Panel-Corner-Fmt-R	063087
17	Caster-4" SWV w/Brake	046437
18	Deflector-Blower	047912
19	Shield-Splash-Wire-19-3/4 L	033813
20	Panel A.-Front Lower	X59854-SER
21	Tray-Drip-19-5/8 L X 4-7/8	033812
22	Pan-Drip 19-1/2 Long	035034
23	Panel-Corner-Fmt-L	063088
24	Panel-Side-Left	059906
25	Fastener-Door Latch	030787
26	Fastener-Door Strike	030788

4

PARTS

Control Assembly X67560-27 (C712) Parts Identification

Item	Description	Part No.
1	Control-INTERF-HT-SS	063967-SER
1a	PCB A.-ROHS-Person-HT-SS	063922-SER
*1b	Cntrl-ROHS-INTF-Hotgas	063926-SER
2	Standoff-Nylon-Snap-1/2L	053413
3	Cable-Ribbon-50C-25"L	040040-025
4	Cable-Ribbon-20C-16"L	040040-049
5	Cable-Ribbon-50C-10"L	040040-058
6	Cable-Ribbon-20C-14"L	040040-040
7	PCB A.-Control *UVC4	X69355-SER
7a	Control-UVC4 (Base Board)	X68114-SER
8	Screw-8x1/4 SLTD Hex	009894
9	Relay-MTR Start TI#4CR	039725-27
10	Trans.-120/208/240V	051660
11	Block-Terminal 1P	073423
12	Capacitor-Start 47-56UF	037251-34
13	Bushing-Snap 1-5/8ID x 2 OD	043637
14	Relay-DPDT 100UA-7A 1/8HP	052111-03

Item	Description	Part No.
15	Screw-6x5/16 SLTD Round	013646
16	Starter-1 Phase 6.3 to 10A	066794-27K
16a	Overload-Thermal-1P	067461-1K
17	Screw-10-32x5/8 UN SL HWH	039382
18	Relay-3 POLE-20A-208/240	066795-33
19	Bushing-Snap 15/16 ID	023396
20	Filter-Corcom 6EH1	040140-001
21	Overload-Thermal-Remot	067965
22	Nut-6-32 KEPS Nut 18-8 SS	054431
23	Screw-6-32x3/8 SLTD Bind	002201
24	Bushing-Snap 11/16 ID x 7/8	010548
25	Trans.-Cont.-32VA 120	054834
26	Cable-Ribbon-20C-17"L	040040-013
*27	Harness-Wire-Cntrl Box	068007
**	Holder-Fuse-Inline-HFA	064538
**	Fuse-Buss-ABC-15-R ROHS	076414

*Not Shown

**Not Included in X67560-27

Control A. - X67561-27-(Model C713)

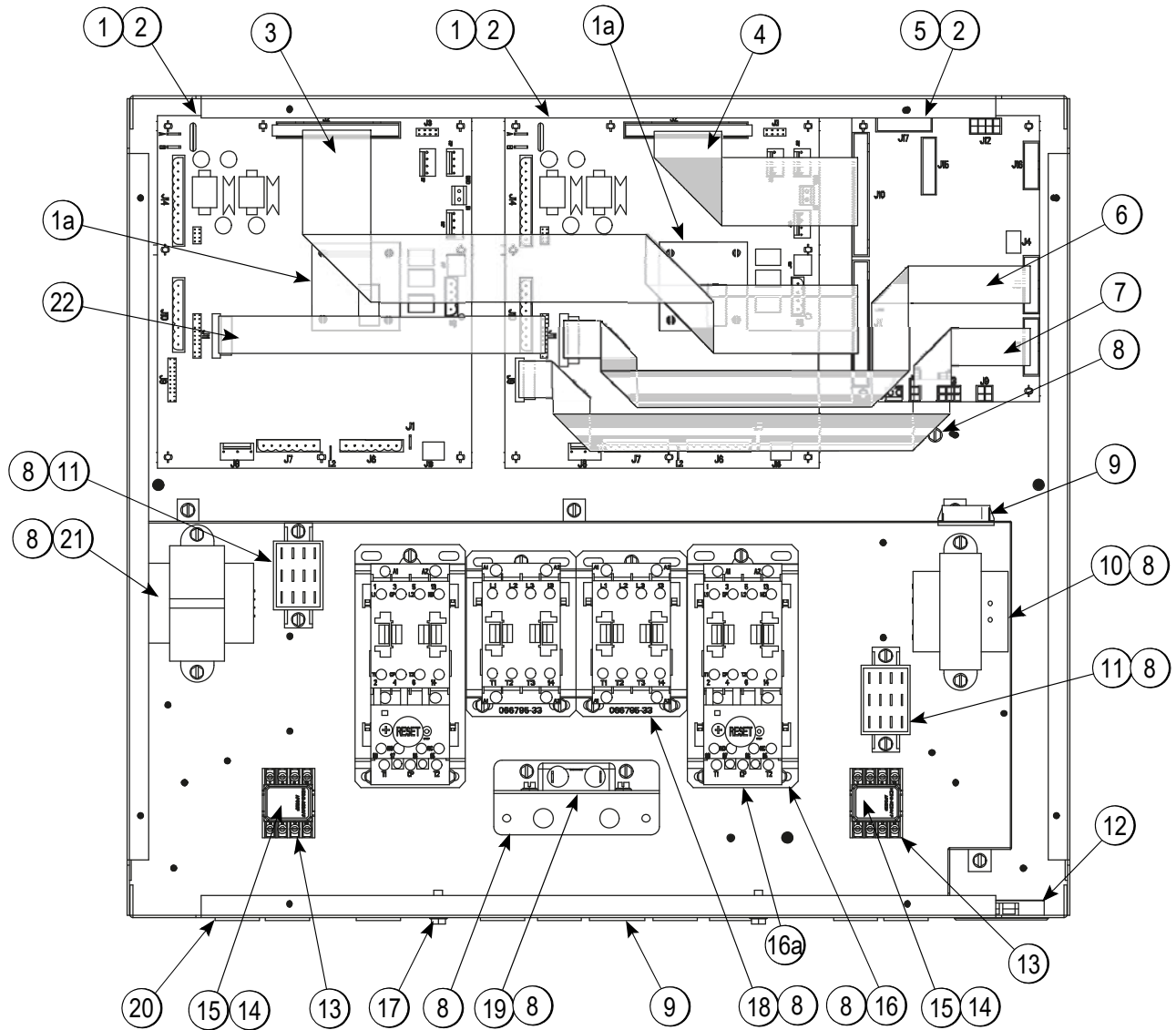


Figure 4-6

PARTS

Control Assembly X67561-27 (C713) Parts Identification

Item	Description	Part No.
1	Control-INTERF-HT-SS	063967-SER
1a	PCB A.-ROHS-Person-HT-SS	063922-SER
*1b	Cntrl-ROHS-INTF-Hotgas	063926-SER
2	Standoff-Nylon-Snap-1/2L	053413
3	Cable-Ribbon-50C-25"L	040040-025
4	Cable-Ribbon-50C-10"L	040040-058
5	PCB A.-Control *UVC4	X69355-SER
5a	Control-UVC4 (Base Board)	X68114-SER
6	Cable-Ribbon-20C-14"L	040040-040
7	Cable-Ribbon-20C-16"L	040040-049
8	Screw-8X1/4 SLTD Hex	009894
9	Bushing-Snap 15/16 ID	023396
10	Trans.-120/208/240V	051660
11	Block-Terminal 1P	073423

Item	Description	Part No.
12	Bushing-Snap 1-5/8ID X 2 OD	043637
13	Harness-Wire-Cntrl Box	068007
14	Screw-6X5/16 SLTD Round	013646
15	Relay-DPDT 100UA -7A 1/8HP	052111-03
16	Starter-1 Phase 6.3 to 10A	066794-27K
16a	Overload-Thermal-1P	067461-1K
17	Screw-10-32X5/8 UN SL HWH	039382
18	Relay-3 Pole-20A-208/240	066795-33
19	Filter-Corcom 6EH1	040140-001
20	Bushing-Snap 11/16 ID X 7/8	010548
21	Trans.-Cont.-32VA	054834
22	Cable-Ribbon-20C-17"L	040040-013
*	Holder-Fuse-Inline-HFA	064538
*	Fuse-BUSS-ABC-15-R ROHS	076414

*Not Shown, Not Included in X67561-27

Box A.-Cap & Relay - X6540227SP - (Model C712 & C713/Bristol)

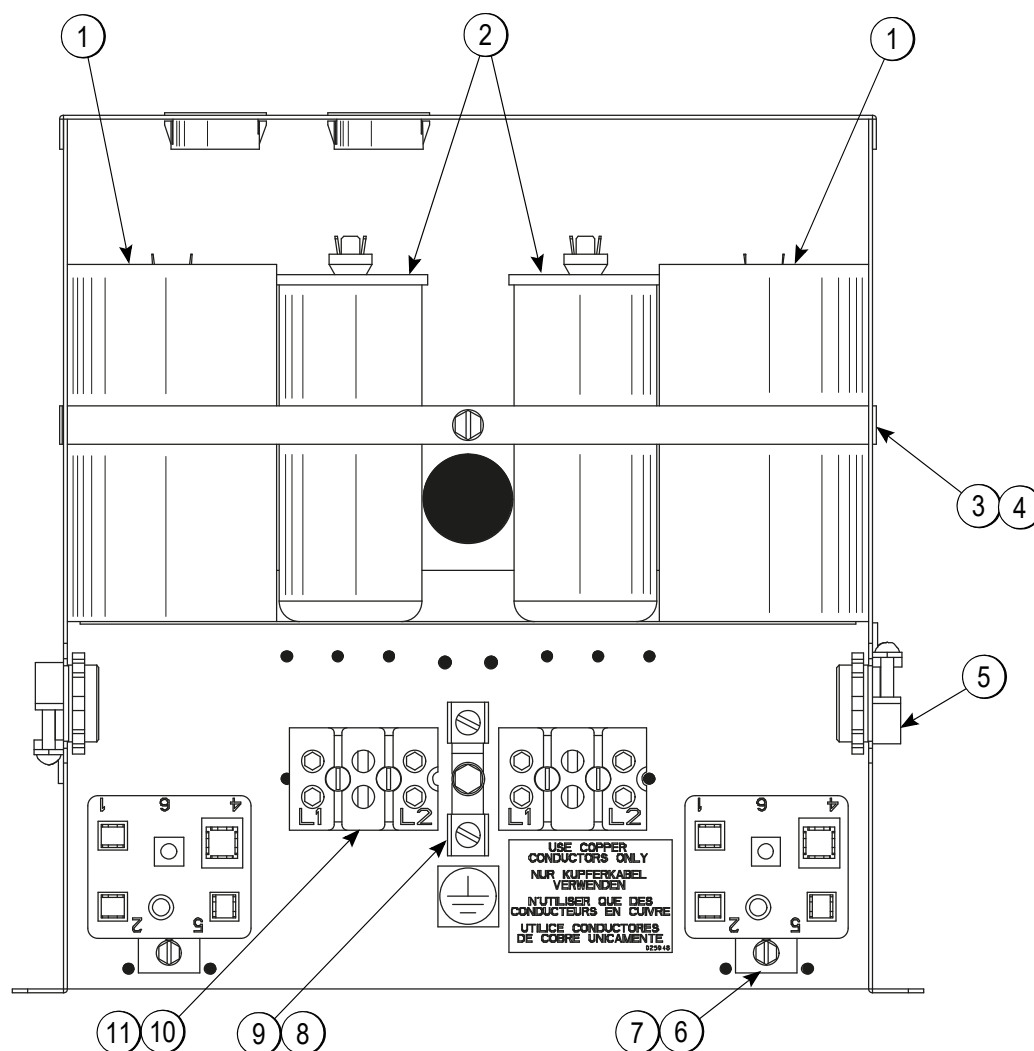


Figure 4-7

Item	Description	Part No.
1	Capacitor-Start 189-227UF	033044-1
2	Capacitor-Run 25UF/440V	037431
3	Strap-Capacitor 7-11/32	037890
4	Screw-10x3/8 Slotted Hex	015582
5	Harness-Wire	06543627SP
6	Relay-Start-Compressor	062363

Item	Description	Part No.
7	Screw-8x1/4 SLTD Hex	009894
8	Lug-Grounding	017667
9	Screw-10-32x3/8 UNSL	039381
10	Block-Terminal 2P L1,L2	039422
11	Screw-8x1 1/4 PHLP HD RD B	039420

Box A.-Cap & Relay - X81081-27 (Model C713/Copeland)

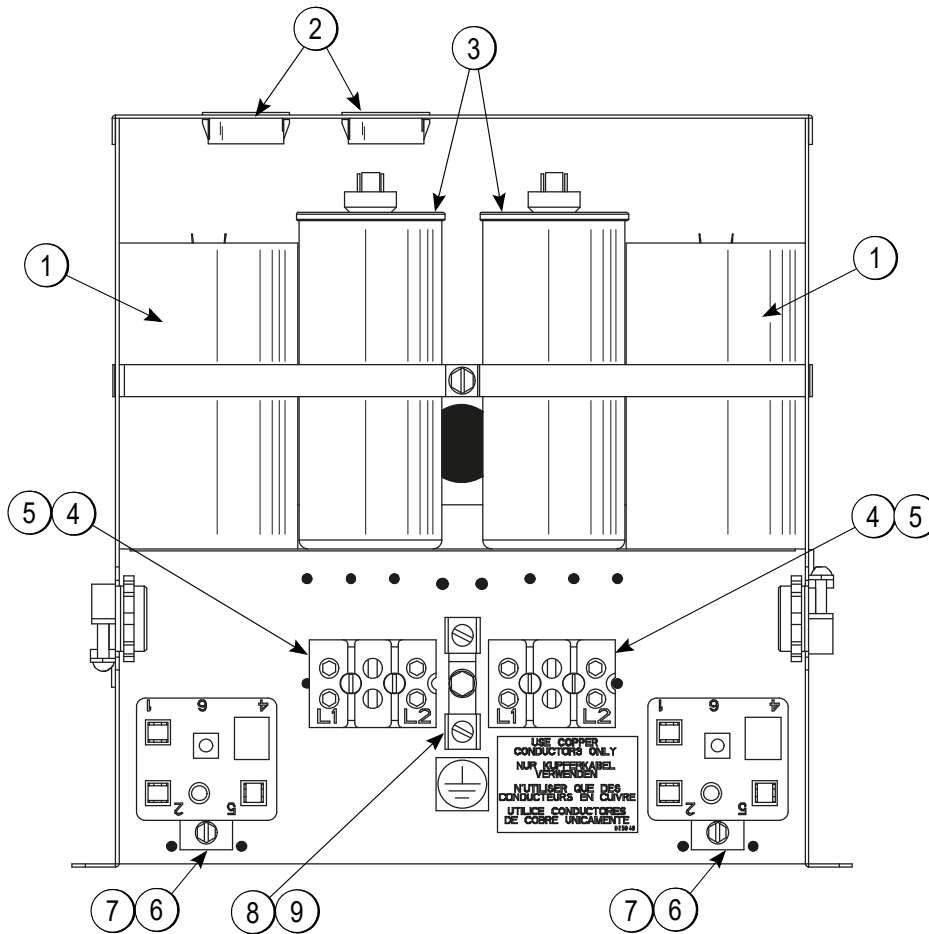


Figure 4-8

Item	Description	Part No.
1	Capacitor-Start 189-22UF	033044-1
2	Plug-Hole 1.093/1.125 DIA	049187
3	Capacitor-Run 40MF/440V	036049
4	Screw-8x1 1/4 PHLP HD RD B	039420
5	Block-Terminal 2P L1,L2	039422

Item	Description	Part No.
6	Screw-8x1/4 SLTD Hex	009894
7	Relay-Start-Compressor	052401-27
8	Lug-Grounding 4-14GA	017667
9	Screw-10-32x3/8 UNSL HWH	039381
*	Harness-Wire	06543627SP

*Not Shown

4

Pump A.-Mix Simplified - X57029- (Model C712)

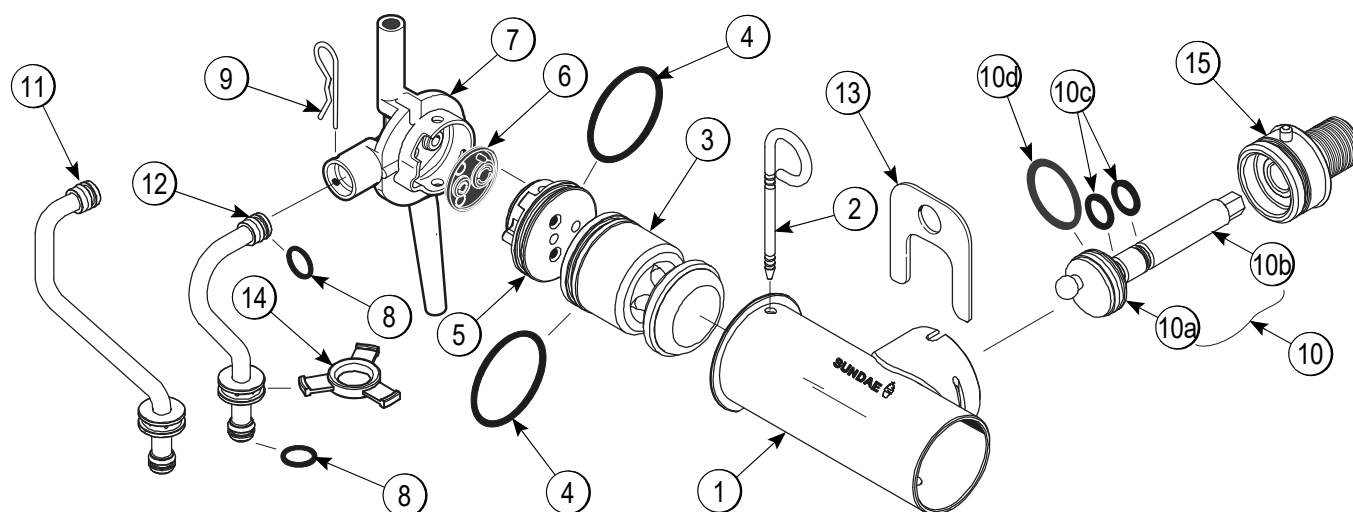


Figure 4-9

Item	Description	Part No.
1-7	Pump A.-Mix Simplified S.S.	X57029-14*
1	Cylinder-Pump Hopper	057943
2	Pin-Retaining	X55450
3	Piston-Pump-Simplified	053526
4	O-ring-2-1/8 OD x .139W-#225	020051
5	Cap-Valve Body SS	056874-14*
6	Gasket-Simplified Pump Valve	053527
7	Adaptor-Mix Inlet-SS-Red	054825
8	O-ring-11/16ODX.103W-Red	016132
9	Pin-Cotter-Hairpin-1/8DIA	044731
10	Shaft A.-Drive-Mix Pump- Hopper	X41947
10a	Crank-Drive-Hopper Mix Pump	039235

Item	Description	Part No.
10b	Shaft-Drive-Mix Pump- Hopper	041948
10c	O-ring 1/2 ID x .139W-Shaft	048632
10d	O-ring-1-3/4 OD x .139W- Crank	008904
11	Tube A.-Feed-Left	X59808
12	Tube A.-Feed-Right	X59809
13	Clip-Retainer-Mix Pump	044641
14	Ring-Check-Feed-Tube	056524
**15	Sleeve A.-Mix Pump *HT	X44761

Note: The standard pump is X57029-14. Overrun can be changed higher or lower by substituting the valve body cap. The higher the (-), the higher the overrun. Your machine Includes 2 Optional Caps, 056874-12 and 056874-16.

**Not Included with X57029-14

Door and Beater Assembly (Model C712)

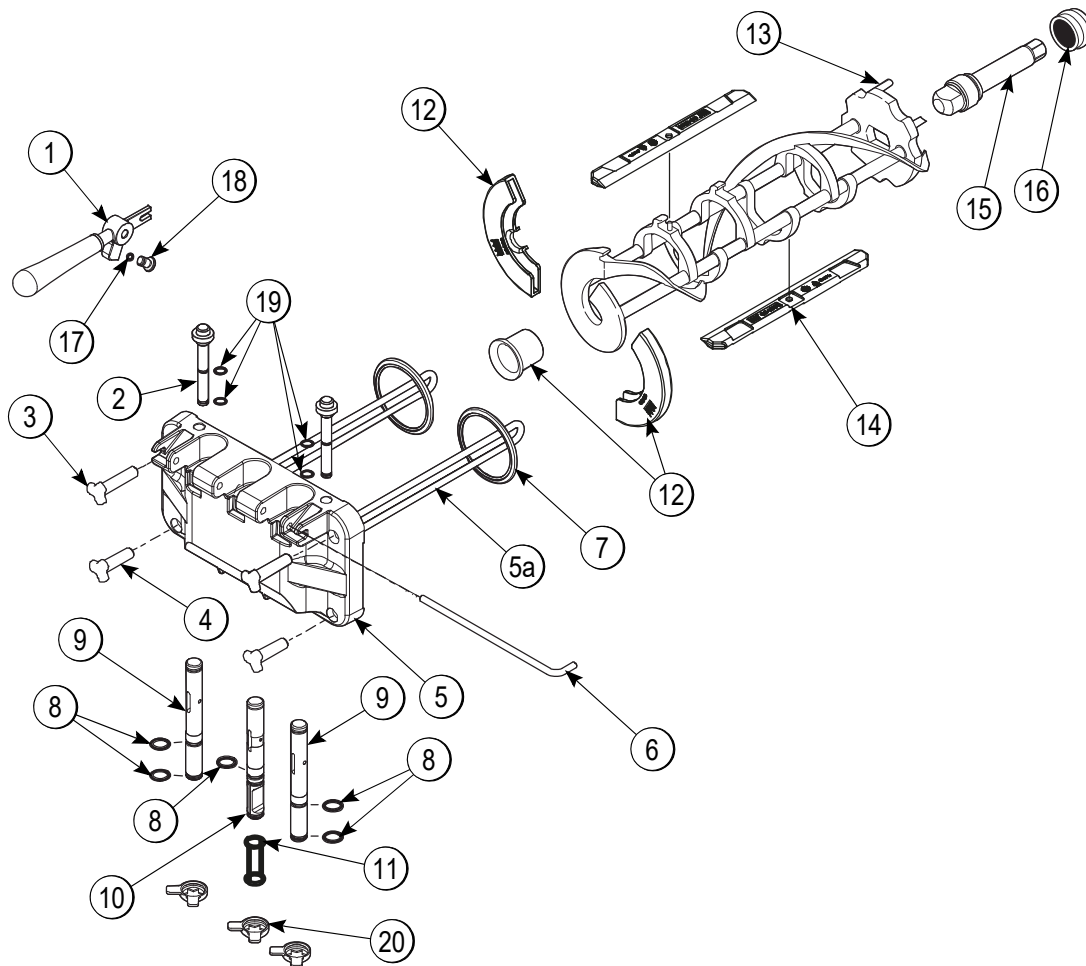


Figure 4-10

Item	Description	Part No.
1	Handle A.-Draw-Welded	X56421-1
2	Plug-Prime Twin	059936
3	Nut-Stud-Black 3.250 Long	058765
4	Nut-Stud-Black 2.563 Long	058764
5	Door A.-3SPT*LG BAF	X59921-SER
5a	Baffle A.-Long 4 IN	X50882
6	Pin-Handle-Twin	059894
7	Gasket-Door HT 4"-Double	048926
8	O-ring-7/8 OD X .103W-SIL	083693
9	Valve A.-Draw	X69615
10	Valve A.-Draw-Center	X62218

Item	Description	Part No.
11	Seal-Draw Valve	034698
12	Kit A.-Beater-Front Shoes-Bearing	X50350
13	Beater A.-3.4QT-1 Pin	X46231
14	Blade-Scraper-Plastic	084350
15	Shaft-Beater	032564
16	Seal-Drive Shaft	032560
17	O-ring-1/4 OD X .070W 50	015872
18	Screw-Adjustment-5/16-24	056332
19	O-ring-.500 OD X .070W	024278
20	Cap-Design 1.010"ID-6 Point	014218

Door and Beater Assembly (Model C713)

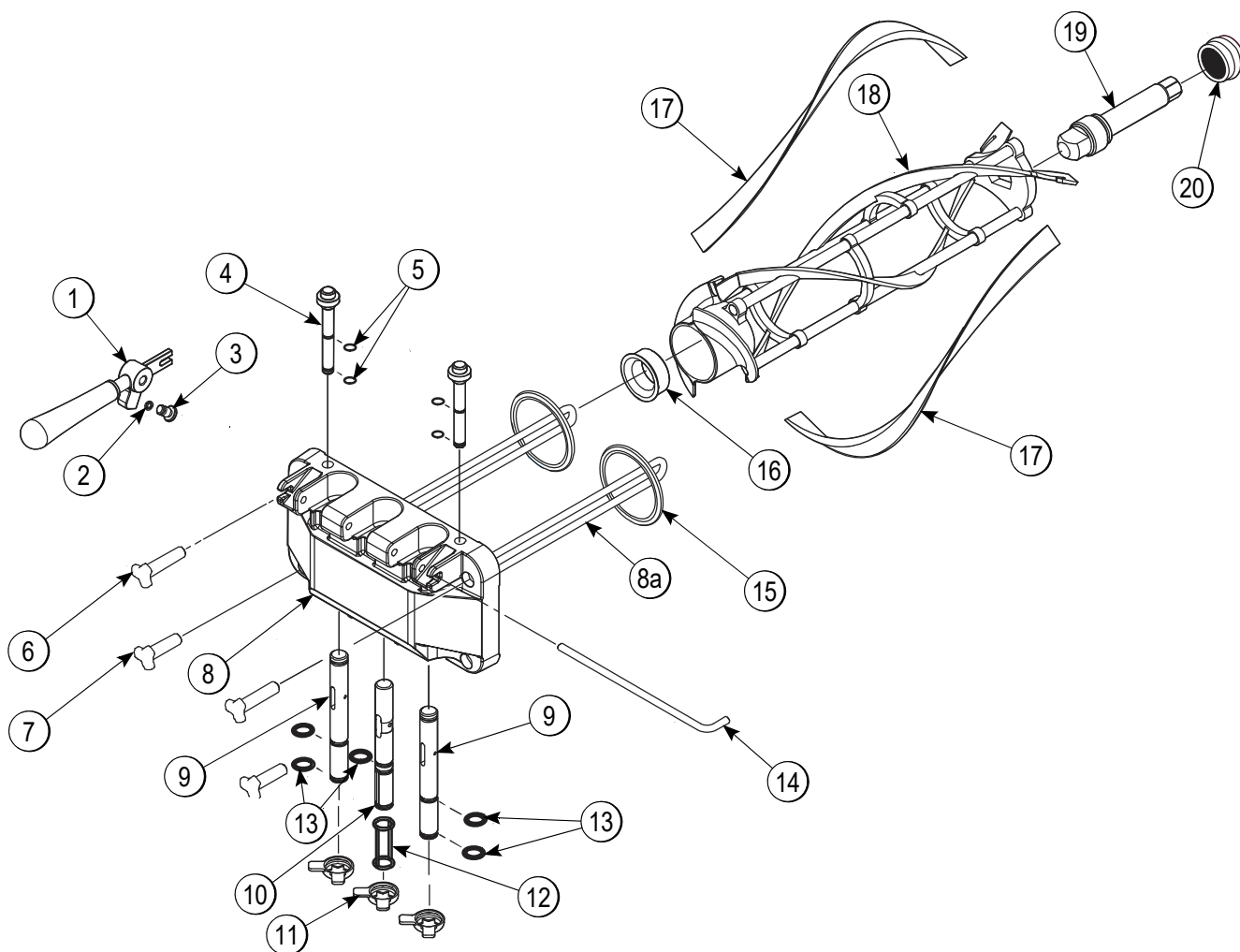


Figure 4-11

Item	Description	Part No.
1	Handle A.-Draw-Welded	X56421-1
2	O-ring-1/4 OD x .070W 50 Duro (25 to Bag)	015872
3	Screw-Adjustment-5/16-24	056332
4	Plug-Prime Twin	059936
5	O-ring-1/2 OD x 0.70 W (50 to Bag)	024278
6	Nut-Stud-Black 3.250 Long	058765
7	Nut-Stud-Black 2.563 Long	058764
8	Door A.-3SPT*LG BAF*W/PRG	X59921-SER
8a	Baffle A.-Long 4 IN w/Rad	X50882
9	Valve A.-Draw	X69615

Item	Description	Part No.
10	Valve A.-Draw Center	X62218
11	Cap-Design 1.010" ID - 6 PNT	014218
12	Seal-Draw Valve	034698
13	O-ring-7/8 OD x .103W-SIL	083693
14	Pin-Handle-Twin	059894
15	Gasket-Door HT 4"-Double	048926
16	Bearing-Front	050216
17	Blade-Scraper-Plastic	035174
18	Beater A.-3.4QT-Helicore	X31761
19	Shaft-Beater	032564
20	Seal-Drive Shaft	032560

Plate A.-Dec (Model C712)

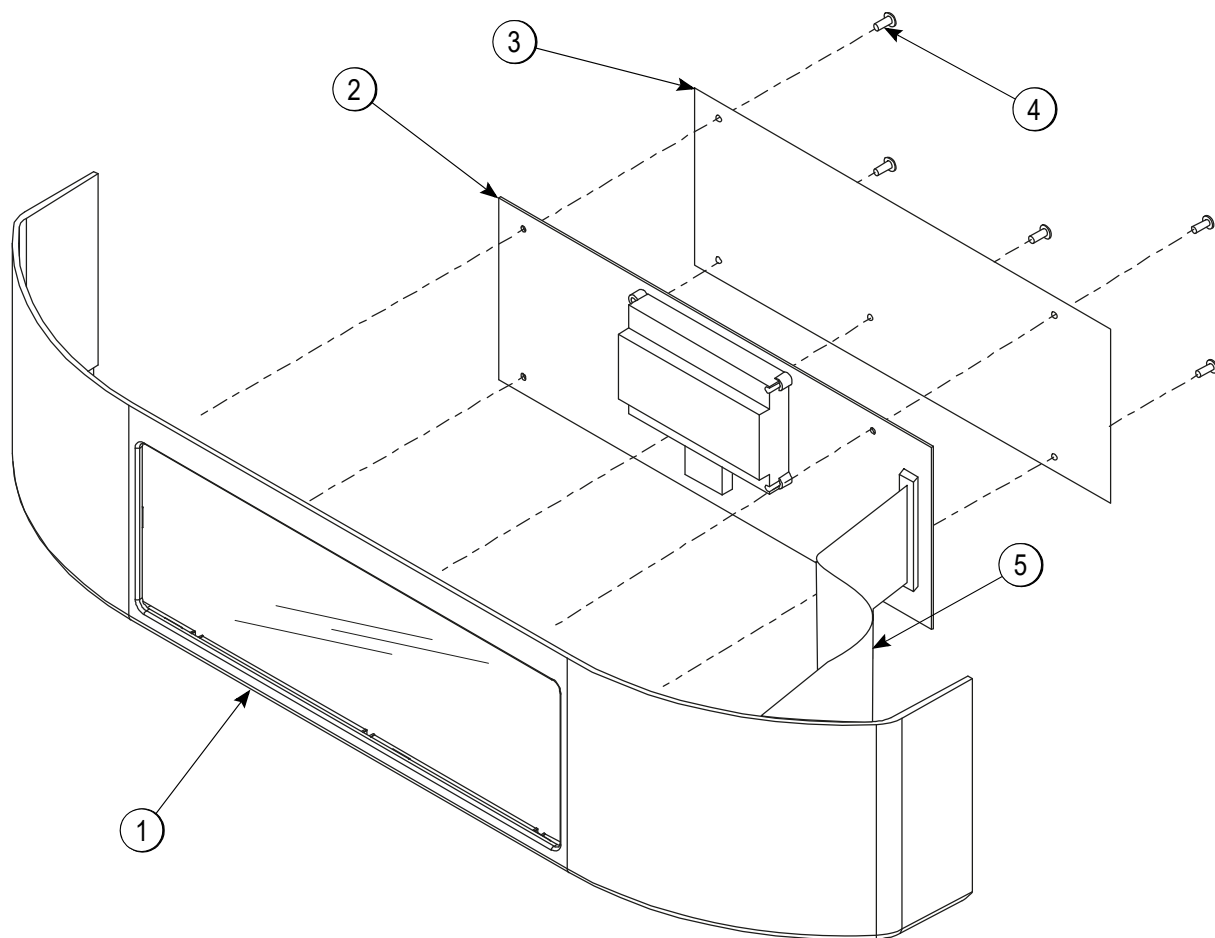


Figure 4-12

Item	Description	Part No.
1	Plate-Dec *Syrup Rail	062121
2	Control-ROHS-INTF	063925-SER
3	Insulator-PCB-Interface	057168

Item	Description	Part No.
4	Screw-6-32X3/8 BIN.HD Slot	002201
5	Cable-Ribbon-14C-3"L	056864

Plate A.-Dec (Model C713)

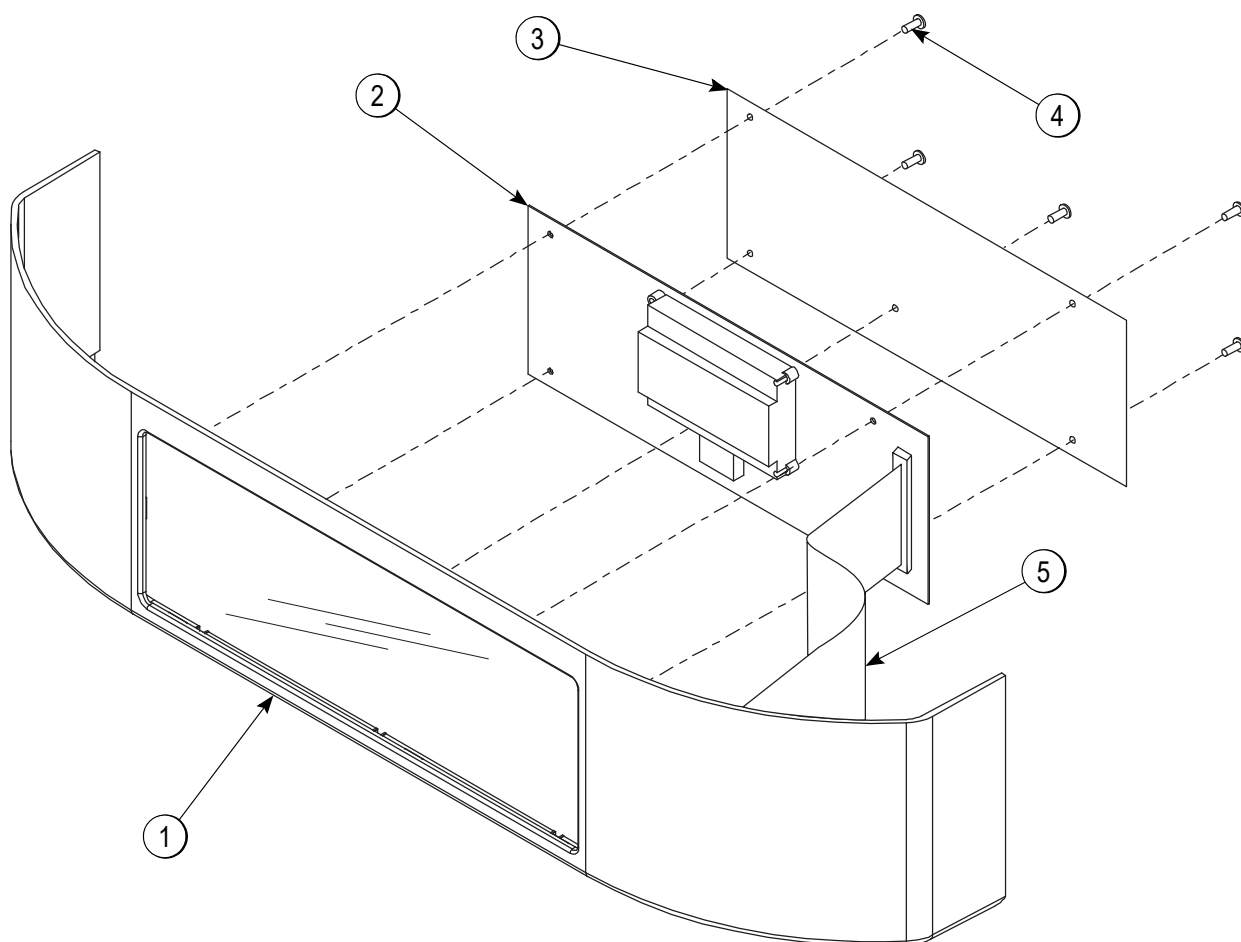


Figure 4-13

Item	Description	Part No.
1	Plate-DEC *Syrup Rail	062122
2	Control-ROHS-INTF	063925-SER
3	Insulator-PCB-Interface	057168

Item	Description	Part No.
4	Screw-6-32x3/8 BIN.HD Slot	002201
5	Cable-Ribbon-14C-3"L	056864

4

Rail-Syrup - X63883-27 (Optional)

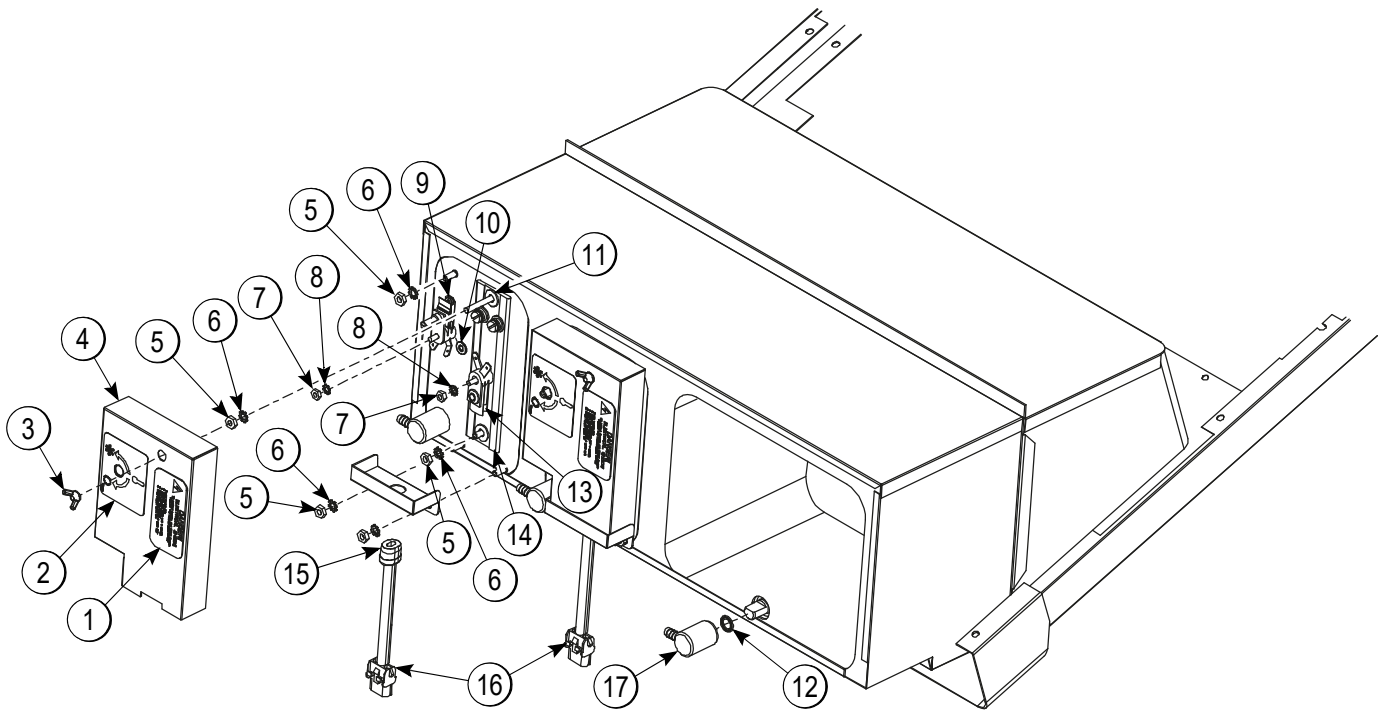


Figure 4-14

Item	Description	Part No.
	Tank A.-Syrup-Heated (Includes:)	X63882-27
1	Label-INST-Syrup Label Reset	055810
2	Label-Adj Temp-Symbol	030994
3	Nut-Wing 10-32 Nylon	034534
4	Box-Heater	043954
5	Nut-10-32 Hex	005598
6	Washer-#10 Ext Tooth Loc	002681
7	Nut-8-32 Hex M/S Nut Small	000969
8	Washer-#8 Ext Tooth Lock	000964

Item	Description	Part No.
9	Thermostat-Adj-Snap	049993
10	Washer-Flat .203 x .437 x .0	080963
11	Washer-3/16 USS Flat 18-8	005194
12	O-ring-9/16 OD x .103W	016369
13	Thermostat-HI Limit-Snap	049992
14	Heater-Strip-175W-240V	042782
15	Relief-Strain-.560X.730-Blk	023764
16	Harness-Wire-SYR-Heaters	068342-27
17	Plug-Drain-Wyott	023953-5

Switch A.-Dual Lever - X69838 (Model C712 & C713)

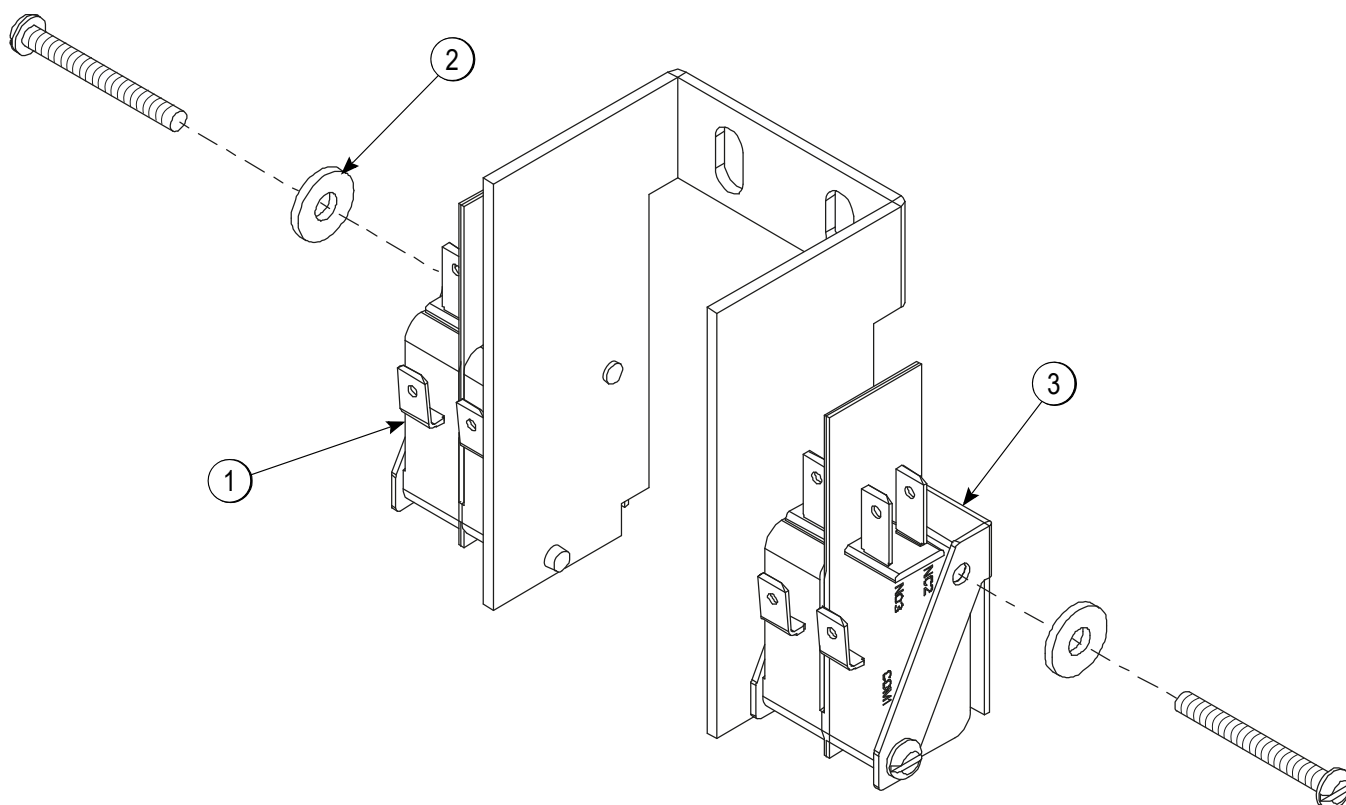


Figure 4-15

Item	Description	Part No.
1	Switch-Lever-SPDT-10A-125	028889
2	Washer-#6 SAE Flat 18-8 SS	023546

Item	Description	Part No.
3	Actuator-Tandem Leaf	062408

Actuator A.-Draw Switch - X69835 (Model C712 & C713)

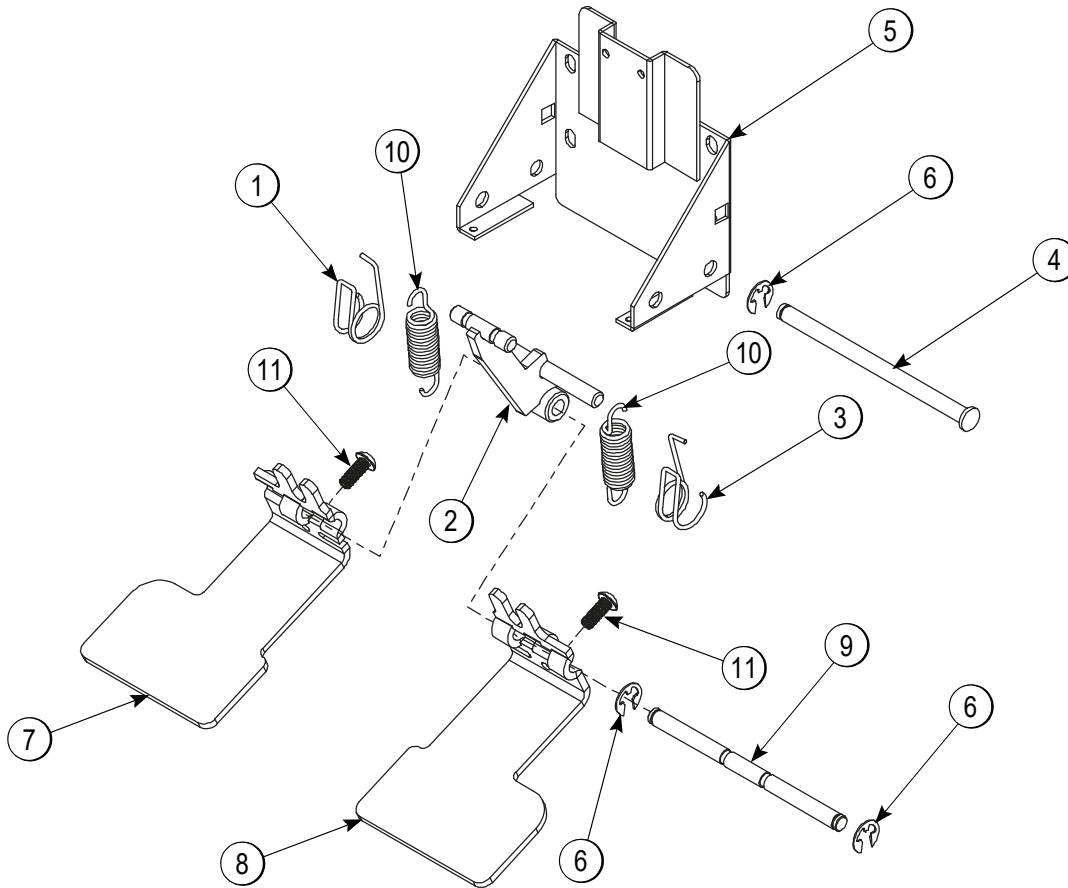


Figure 4-16

Item	Description	Part No.
1	Spring-Return-Left	038923
2	Bracket A.-Spring-Return	X69481
3	Spring-Return-Right	038924
4	Pin-Pivot-Draw Switch	038484
5	Bracket A.-Switch	X69836
6	E-ring 1/4 Black PHOS	032190

Item	Description	Part No.
7	Arm-Draw Switch-Left	069166
8	Arm-Draw Switch-Right	069167
9	Rod-Spring Retainer	038254-SP
10	Spring-Extension.467x.062	069392
11	Screw-Adjustment	069374

Blower A. X53725-27 (Model C712 & C713)

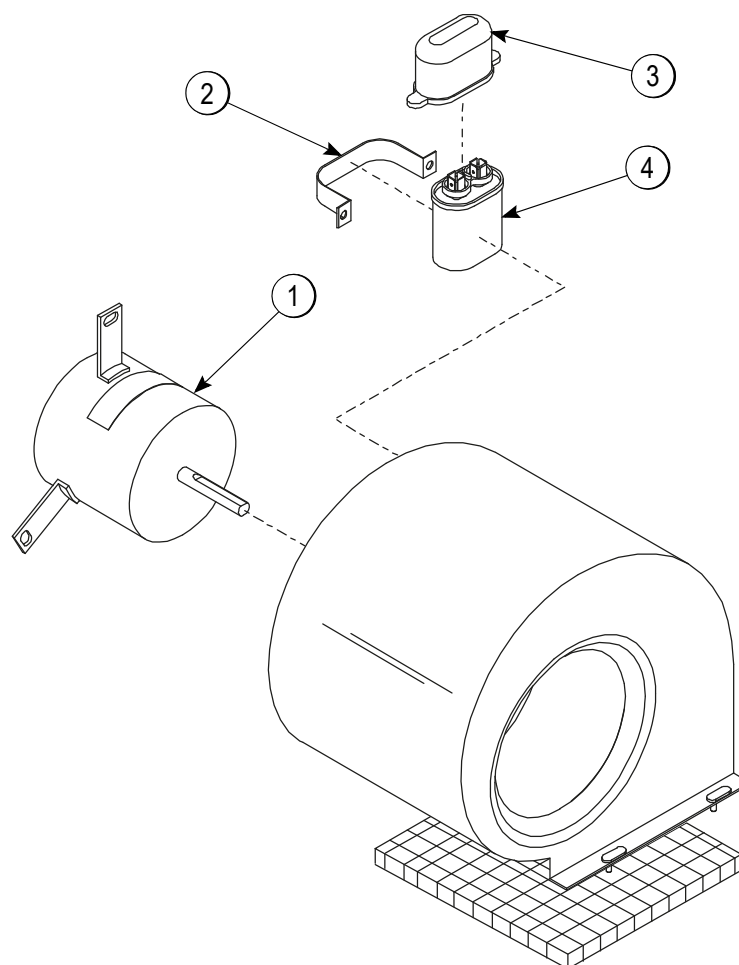


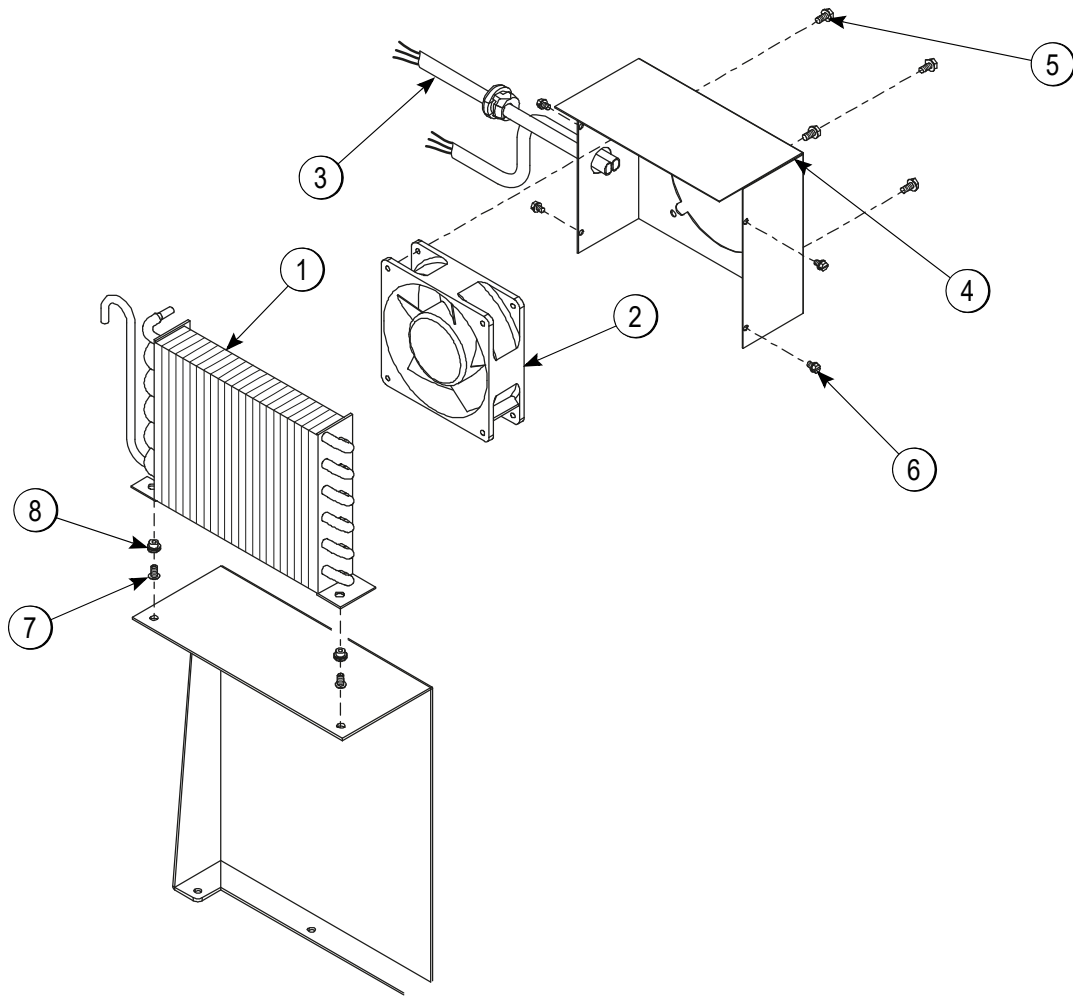
Figure 4-17

Item	Description	Part No.
1	Motor-Fan 208-230V 50/60 HZ	053481-27
2	Bracket-Capacitor 1-1/4X2-1/16	031205

Item	Description	Part No.
3	Boot-Capacitorinsulating	031314
4	Capacitor-Run 7.5UF/370V	034749

4

Condenser A. - X68077-27G (Model C712 & C713)



4

Figure 4-18

Item	Description	Part No.
	Motor A.-Condenser Fan Gnd (Includes Items 1-8)	X68008-27G
1	Condenser-AC 7X6X1.25	027155
2	Kit A.-Motor-Fan	X62253-27
3	Harness-Wire-Danfoss	068006-G

Item	Description	Part No.
4	Shroud-Danfoss	027386
5	Screw-10-32X3/8 UNSL	039381
6	Screw-8X1/4 SLTD Hex	009894
7	Screw-10-32X3/8 Slotted	006749
8	Nutsert-10-32	021106

Accessories

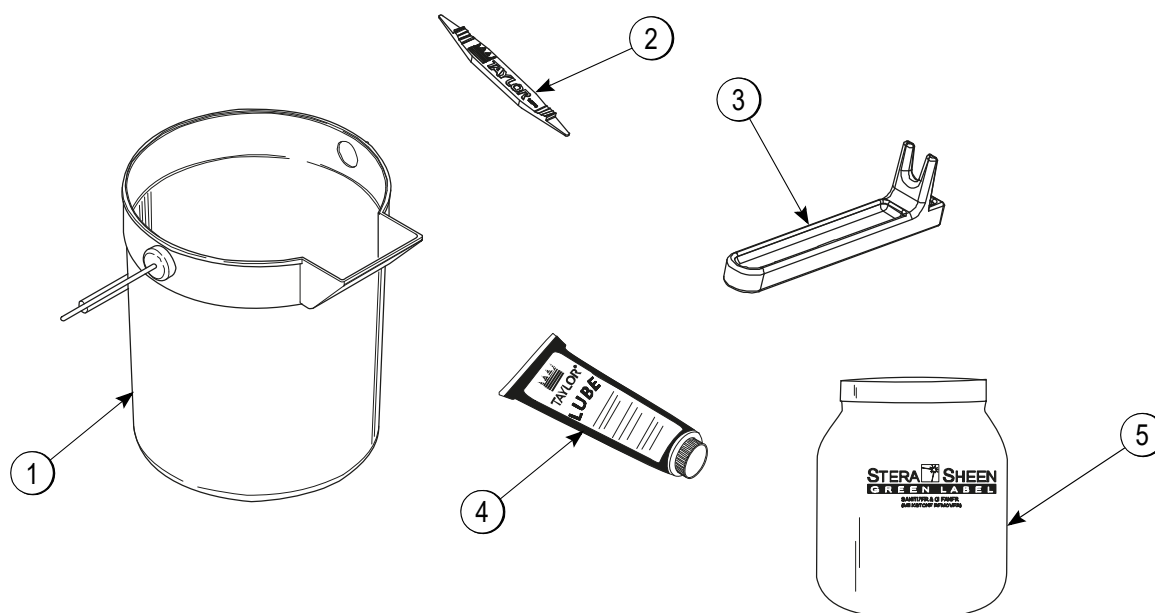


Figure 4-19

4

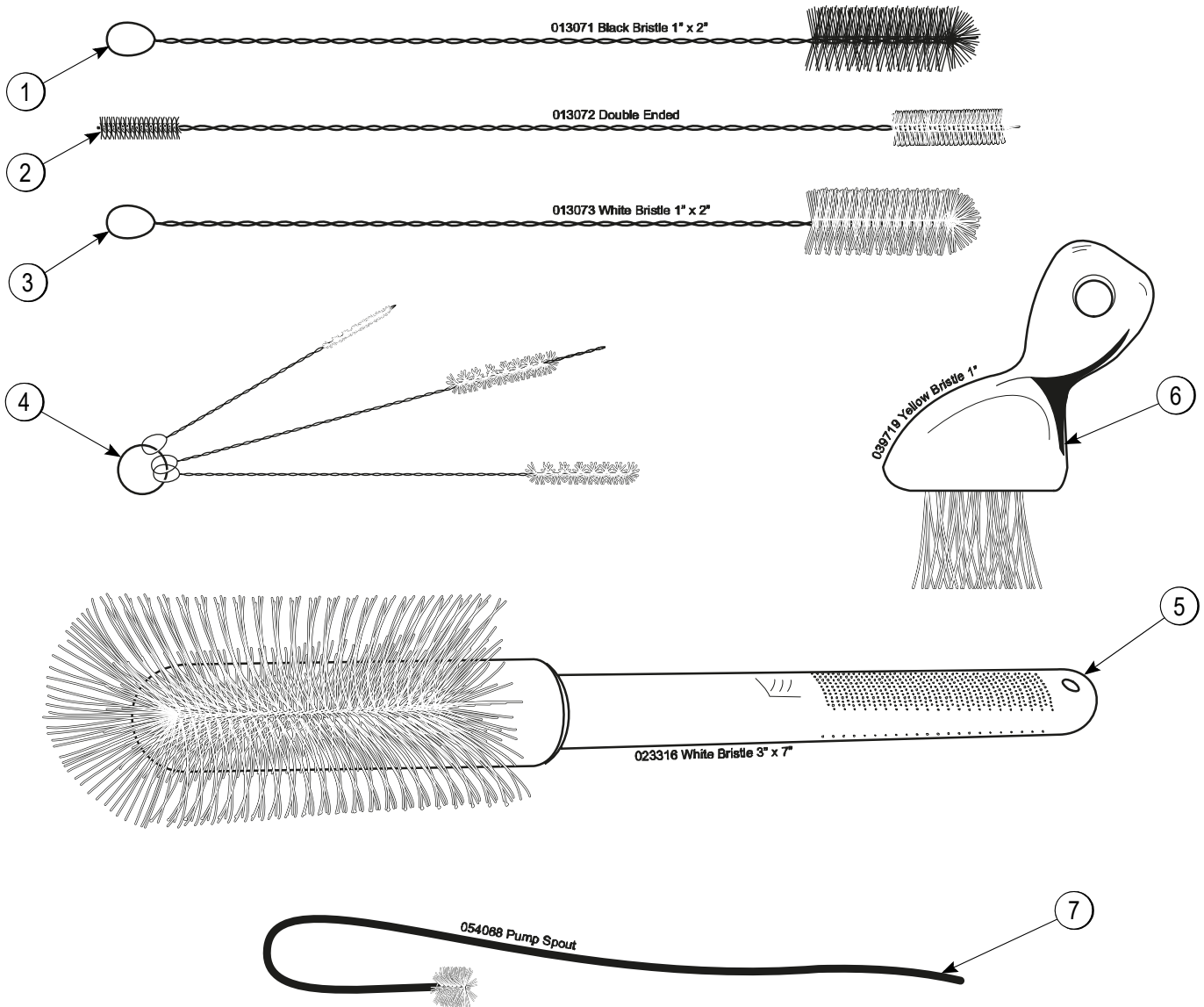
Item	Description	Part No.
1	Pail-10 QT.	013163
2	Tool-O-ring Removal	048260-WHT
3	Tool-Mix Pump Shaft Removal	057167

Item	Description	Part No.
4	Lubricant-Taylor 4 oz.	047518
*5	Sanitizer-Stera Sheen	SEE NOTE
**	Kit A.-Tune-Up C712	X49463-81

Note: A sample container of sanitizer is sent with the machine. For reorders, order Stera-Sheen® part no. 055492 (100 packs) or Kay-5® part no. 041082 (125 packs).

**Not Shown

Brushes (Model C712 & C713)



4

Figure 4-20

Item	Description	Part No.
1	Brush-Rear BRG 1"D x 2"LG	013071
2	Brush-Dbl End-Pump & Feed Tube	013072
3	Brush-Draw Valve 1"OD x 2"x1	014753
4	Brush-Mix Pump Body-3" x 7"	023316

Item	Description	Part No.
5	Brush-End-Door-Spout-SS	039719
6	Brush-Set LVB	050103
7	Brush-Pump Spout	054068