

Section 4

Operator Parts Identification

Model C152

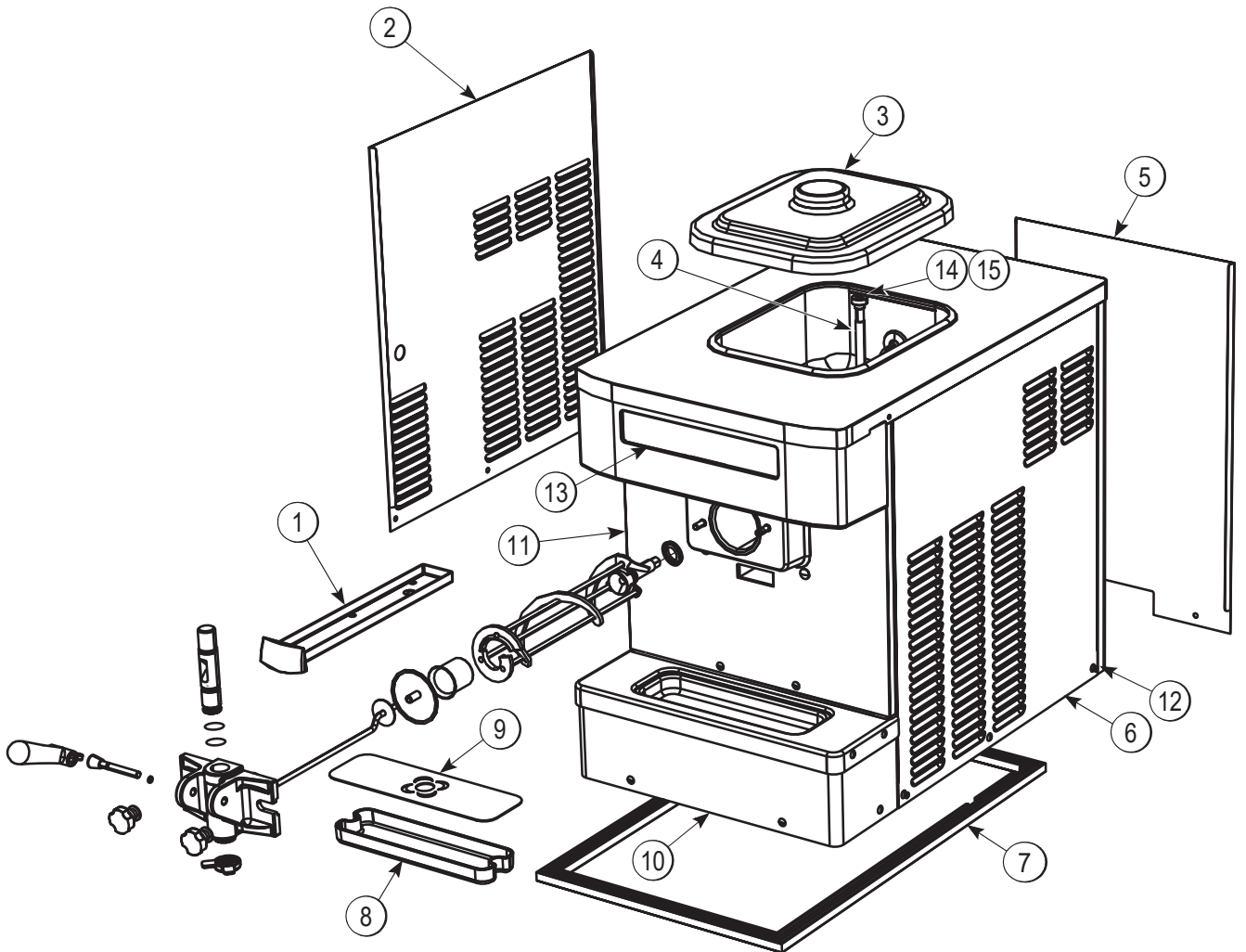


Figure 4-1

Item	Description	Part No.
1	Pan-Drip	085295
2	Panel-Left	086378
3	Cover A.-Hopper	X49633-SP
4	Tube-Feed	035819
5	Panel-Rear	086376
6	Panel-Right	086377
7	Gasket-Base Pan	086306
8	Tray-Drip	086312

Item	Description	Part No.
9	Shield-Splash	086379
10	Panel-Lower Front	086380
11	Panel-Front	086384
12	Trim-Corner-Rear	086375
13	Plate-Dec	X85775
14	Air Orifice	022465-100
15	O-Ring-3/8 OD X.070W	016137

OPERATOR PARTS IDENTIFICATION

Model C161

4

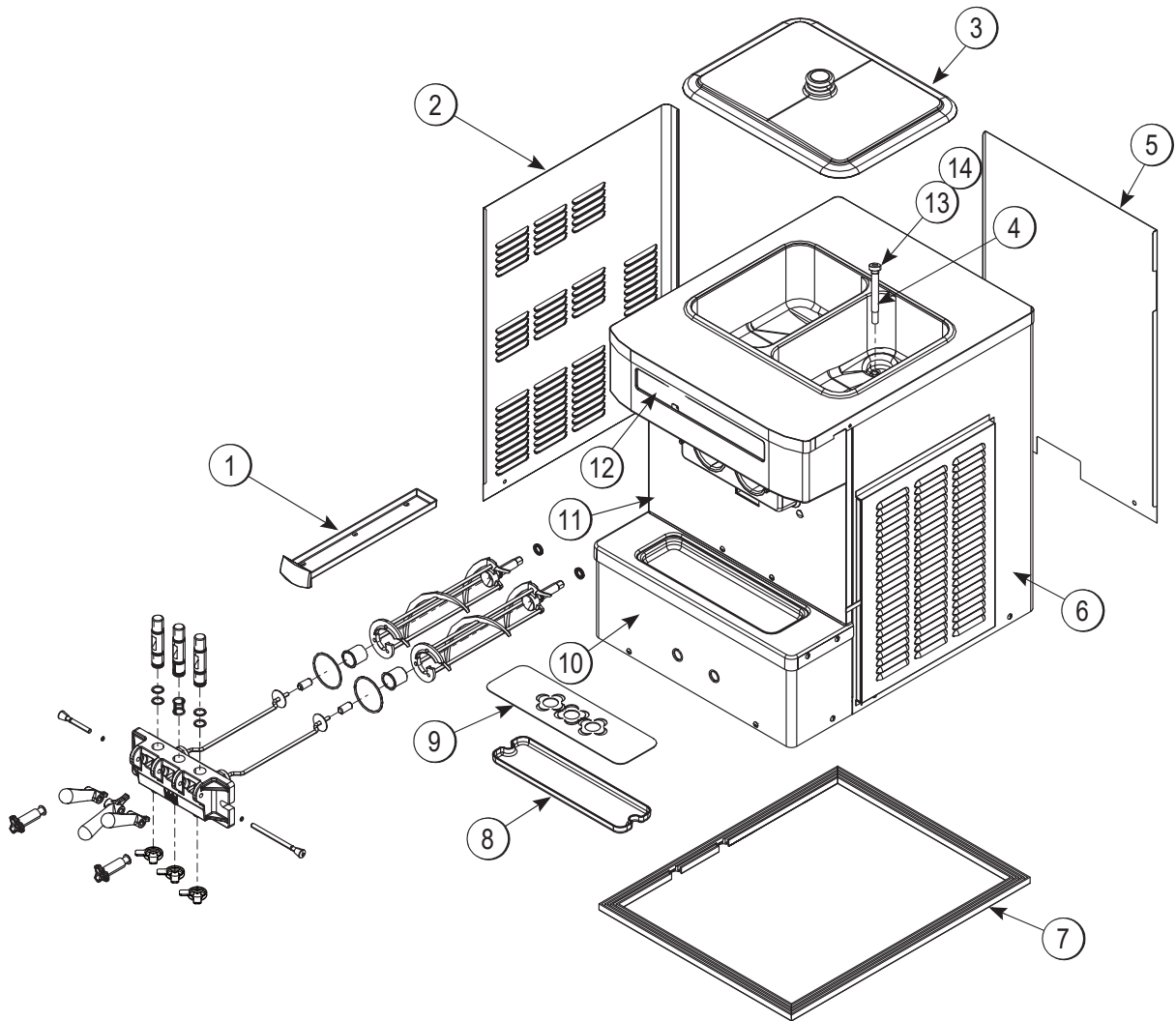


Figure 4-2

Item	Description	Part No.
1	Pan-Drip	085295
2	Panel-Side-Left	085262
3	Cover A.-Hopper	085351
4	Tube-Feed	030797
5	Panel-Rear	085274
6	Panel A.-Side-Right	X69433
7	Gasket-Base Pan	055815-SP

Item	Description	Part No.
8	Tray-Drip 16-7/8L X 4-5/16	085699
9	Shield-Splash	085304
10	Panel-Lower Front	X85729-SER
11	Panel A.-Front	085678
12	Plate-Dec	X85775
13	Air Orifice	022465-100
14	O-Ring 3/8 OD X.070W	016137

C152 Beater Door Assembly

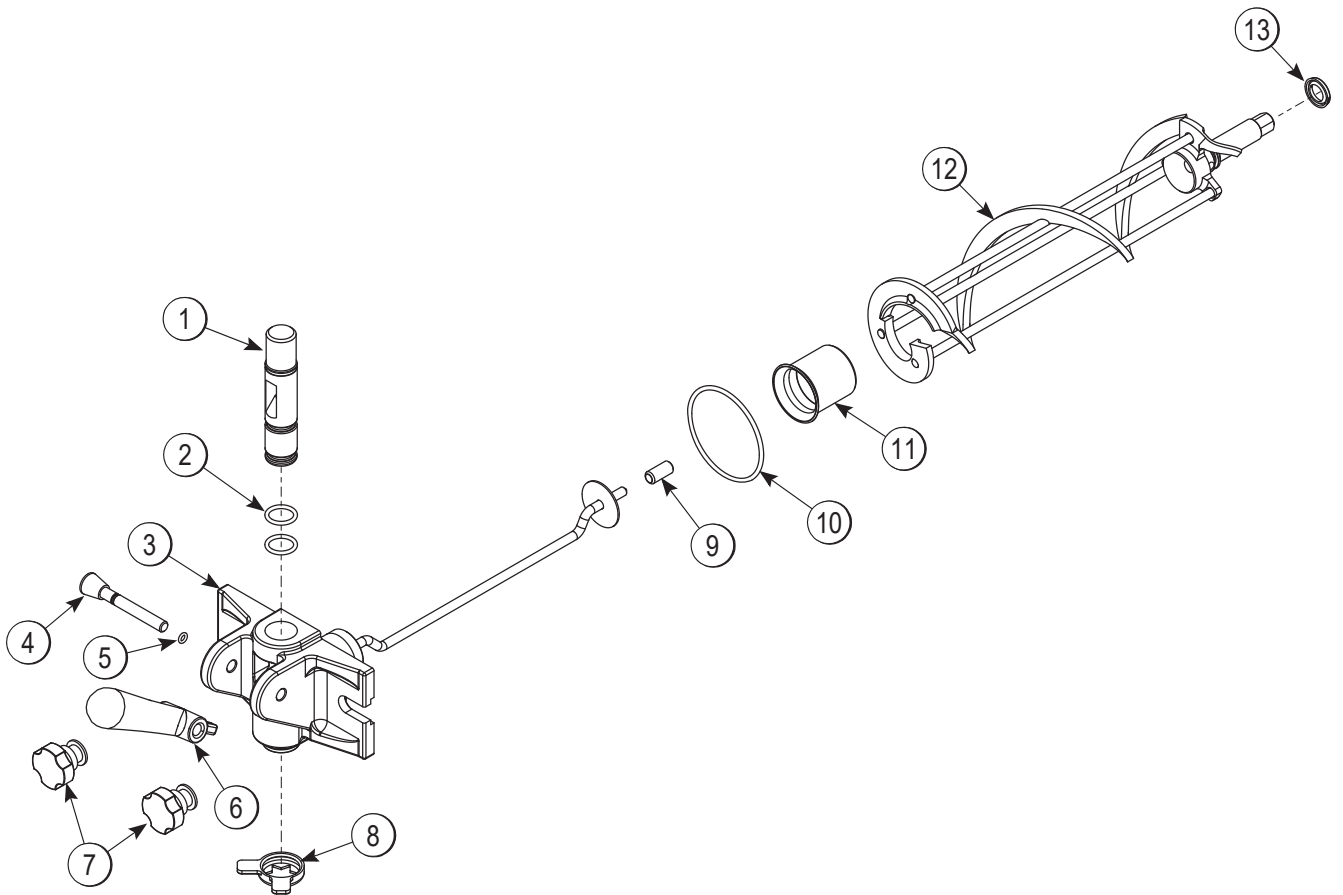


Figure 4-3

Item	Description	Part No.
1	Valve-Draw	024763-SP1
2	O-Ring-7/8 OD X.103W	014402
3	Door A.-3SPT 1.5QT VALOX	X86373-SER
4	Pin A.-Pivot-Short	X38539
5	O-Ring-5/16 OD X.070W	016272
6	Handle-Draw	085615
7	Nut-Stud	034829-SP

Item	Description	Part No
8	Cap-Design 1.010"ID-6 PT.	014218
9	Bearing-Guide	014496
10	O-Ring-2-3/4 OD X .139W	019998
11	Bearing-Front	023262
12	Beater A.	X24689
13	Seal-U-Cup	080534

C161 Beater Door Assembly

4

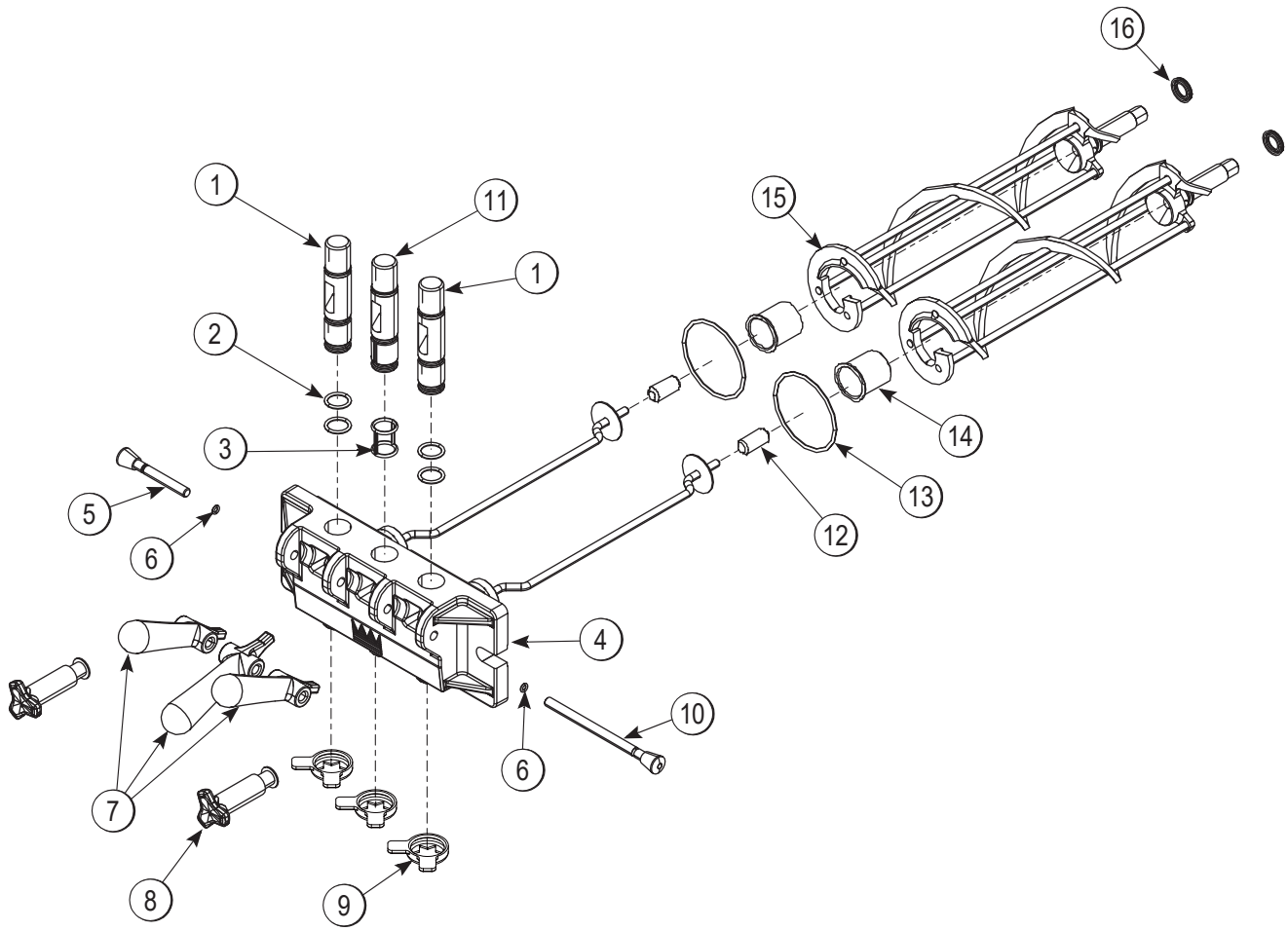
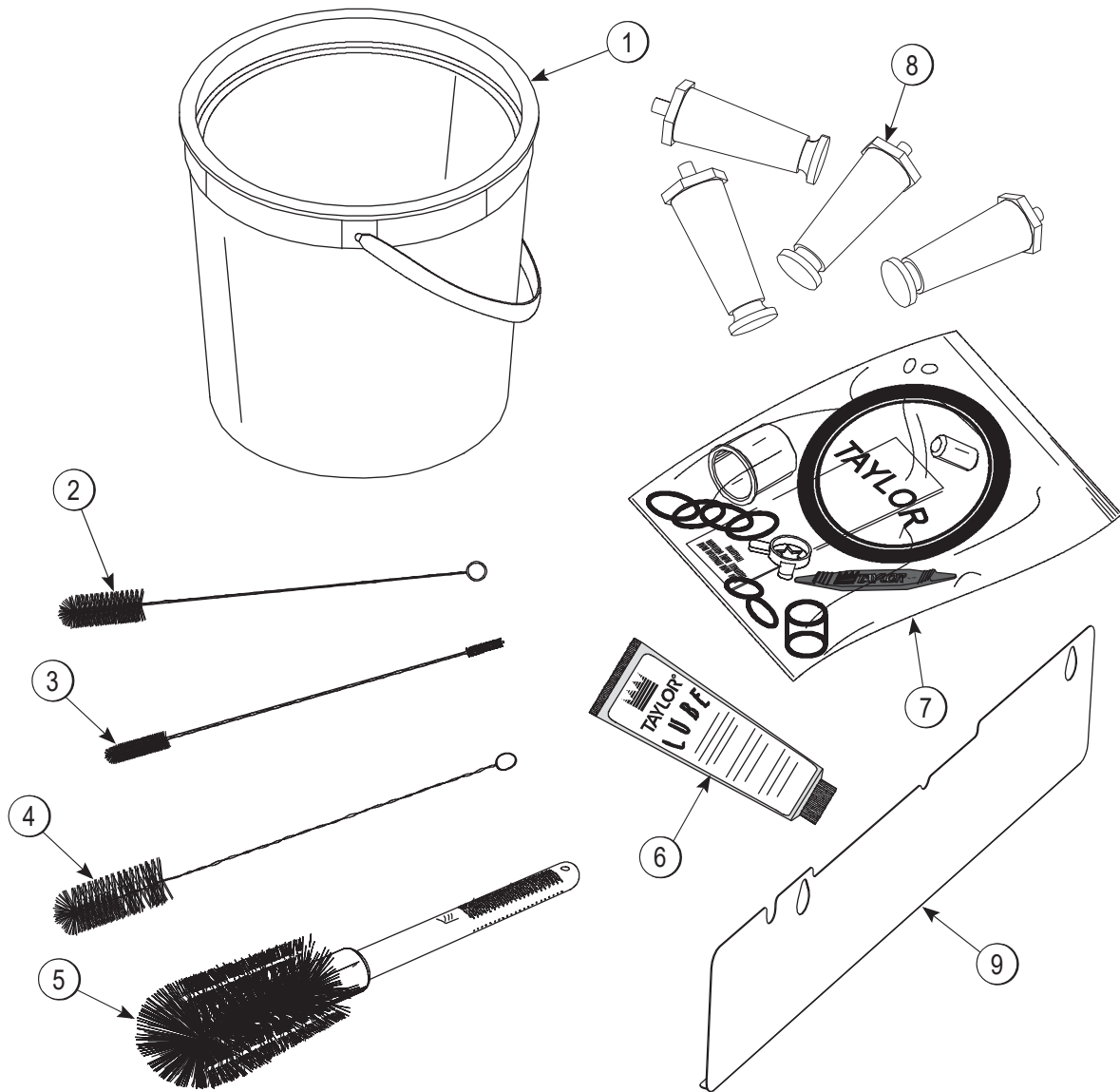


Figure 4-4

Item	Description	Part No.
1	Valve-Draw	024763-SP1
2	O-Ring-7/8 OD X.103W	014402
3	Seal-Draw Valve *Small H-Ring*	030930
4	Door A.-3SPT 1.5QT VALOX	X56906SER3
5	Pin A.-Pivot-Short	X38539
6	O-Ring-5/16 OD X.070W	016272
7	Handle-Draw	085615
8	Nut-Stud	056802-SP

Item	Description	Part No.
9	Cap-Design 1.010"ID-6 PT.	014218
10	Pin A.-Pivot-Long	X38538
11	Valve-Draw-Center	031164-SP
12	Bearing-Guide	014496
13	O-Ring-2-3/4 OD X .139W	019998
14	Bearing-Front	023262
15	Beater A.-	X24689
16	Seal-U-Cup	080534

C152 Accessories



4

Figure 4-5

Item	Description	Part No
1	Pail-6 qt.	023348
2	Brush-Rear BRG 1" D X 2" LG	013071
3	Brush-Double-Ended	013072
4	Brush-Draw Valve-1" OD X 2" X 17"	013073
5	Brush-Mix Pump Body-3"X7" White	023316

Item	Description	Part No.
6	Lubricant-Taylor 4 oz.	047518
7	Kit-A.-Tune Up	X25802
8	Leg (Optional)	024755
9	Skirt (Used with Legs Only)	086649
*	Sanitizer KAY-5 25 pkts	See Note

*Not Shown: A sample container of sanitizer is sent with the unit. For reorders, order Kay-5™ part no. 041082 (200 packs) or Stera Sheen part no. 055492 (100 2 oz. packs).

C161 Accessories

4

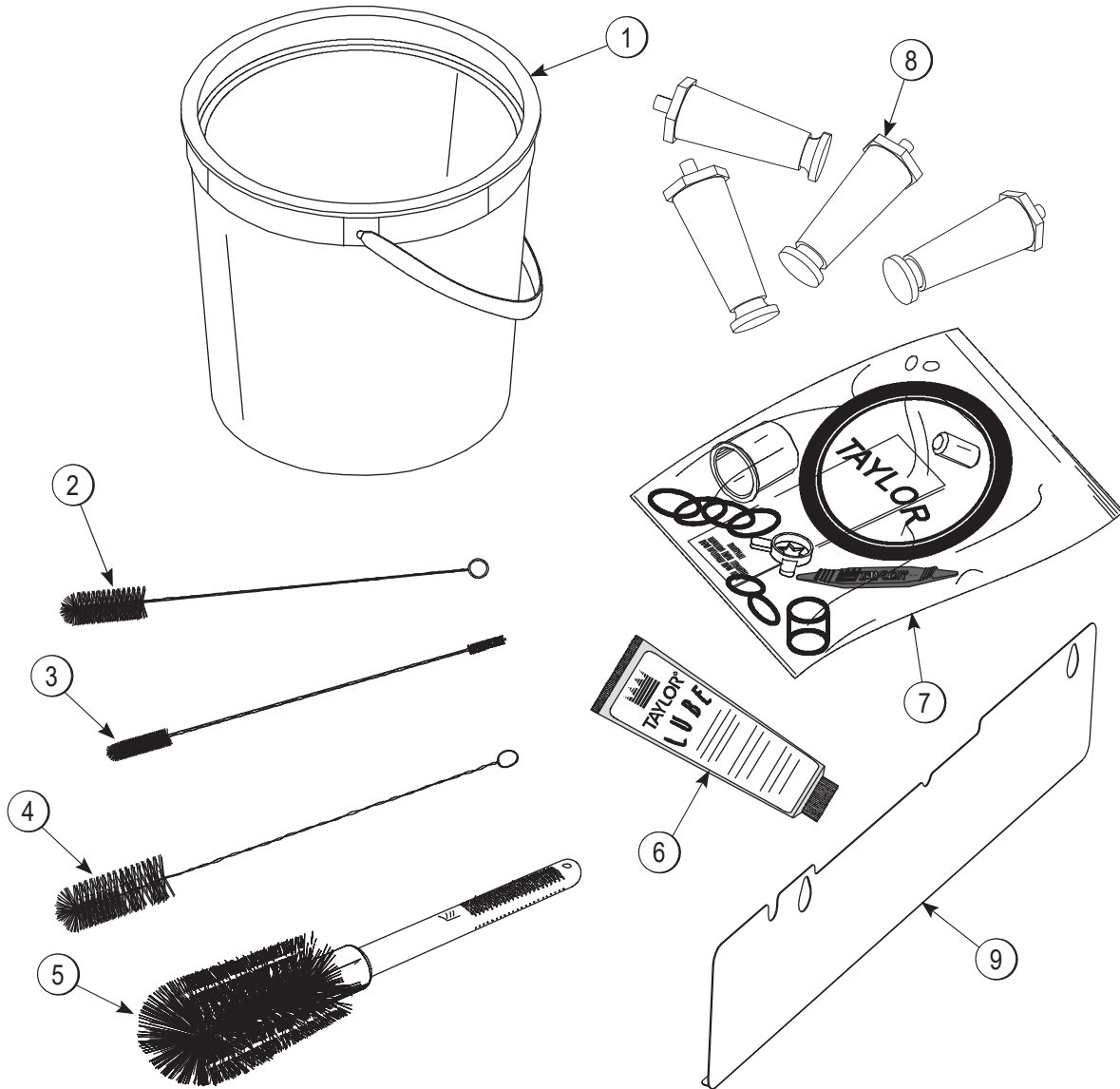


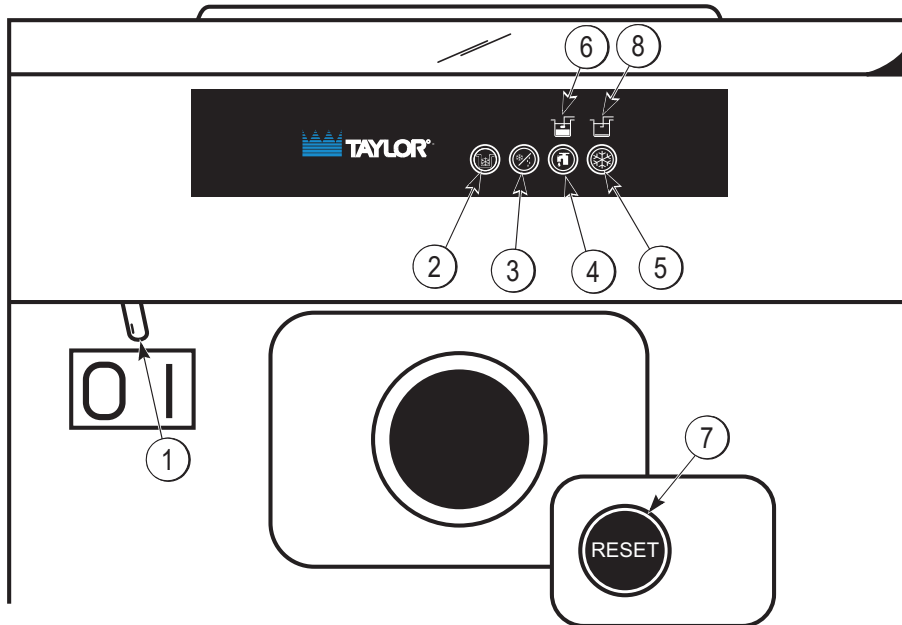
Figure 4-6

Item	Description	Part No
1	Pail-6-QT.	023348
2	Brush-Rear BRG 1" D X 2" LG	013071
3	Brush-Double-Ended	013072
4	Brush-Draw-Valve-1" OD X 2" X 17"	013073
5	Brush-Mix-Pump-Body-3"X7" White	023316

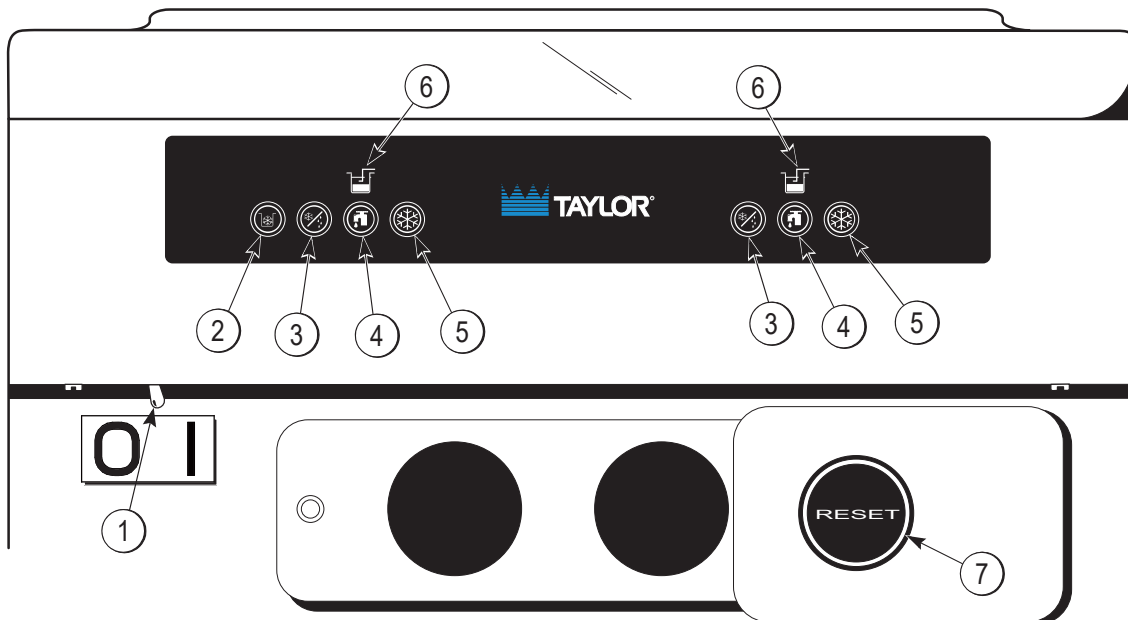
Item	Description	Part No.
6	Lubricant-TAYLOR-4-OZ.	047518
7	Kit-A.-Tune-Up	X31167
8	Leg (Optional)	036397
9	Skirt (Used With Legs Only)	055508
*	Sanitizer KAY-5 25 PKTS	See Note

*Not Shown - A sample container of sanitizer is sent with the unit. For reorders, order Kay-5 part no. 041082 (200 packs) or Stera Sheen part no. 055492 (100 2 oz. packs)

C152



C161



5

Item	Description
1	Power Switch
2	MIX REF Key
3	STANDBY Key
4	WASH Key

Item	Description
5	AUTO Key
6	Indicator Light Mix Low
7	Reset Button
8	Indicator Light Mix Out