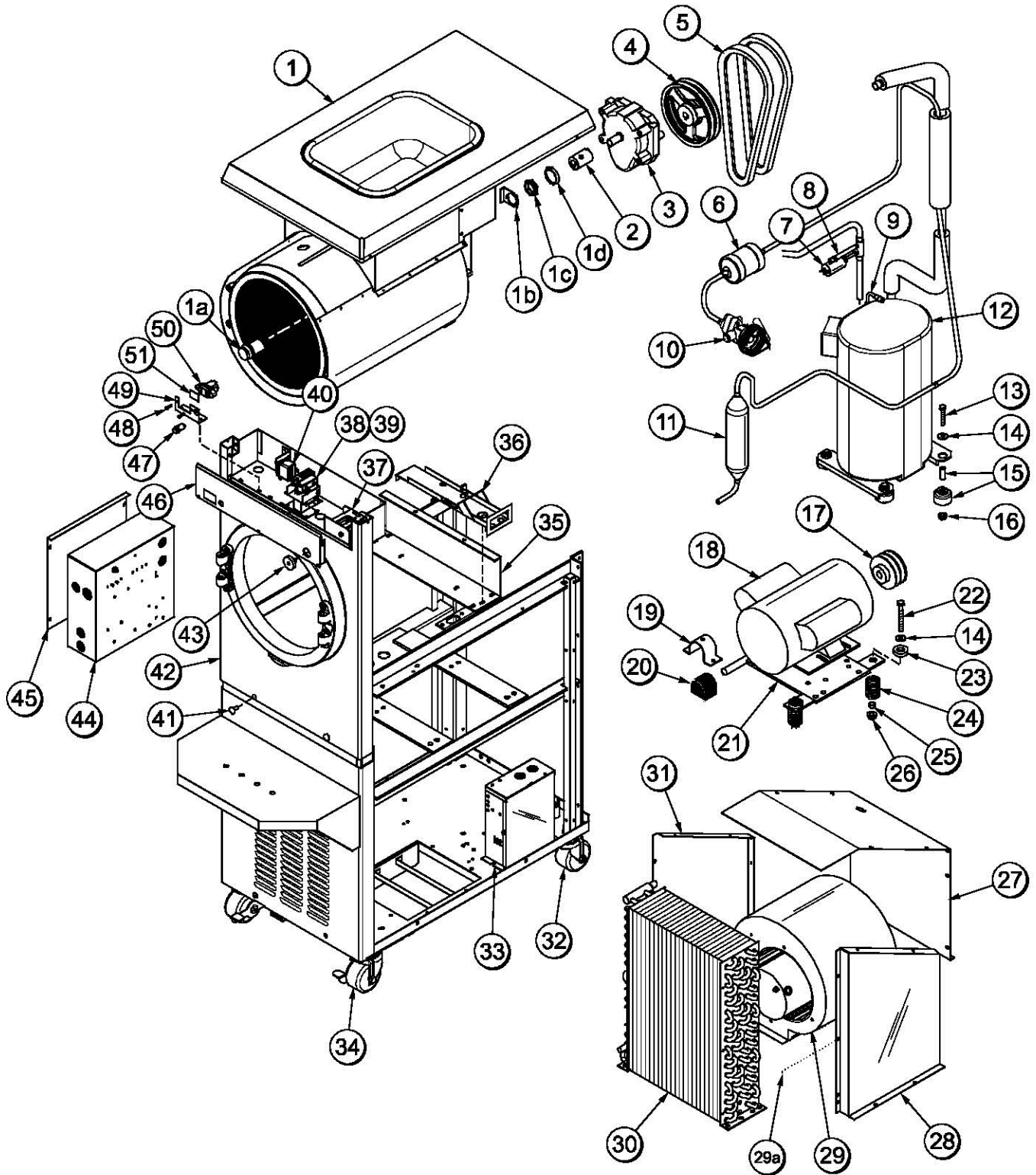


Model 220 Exploded View

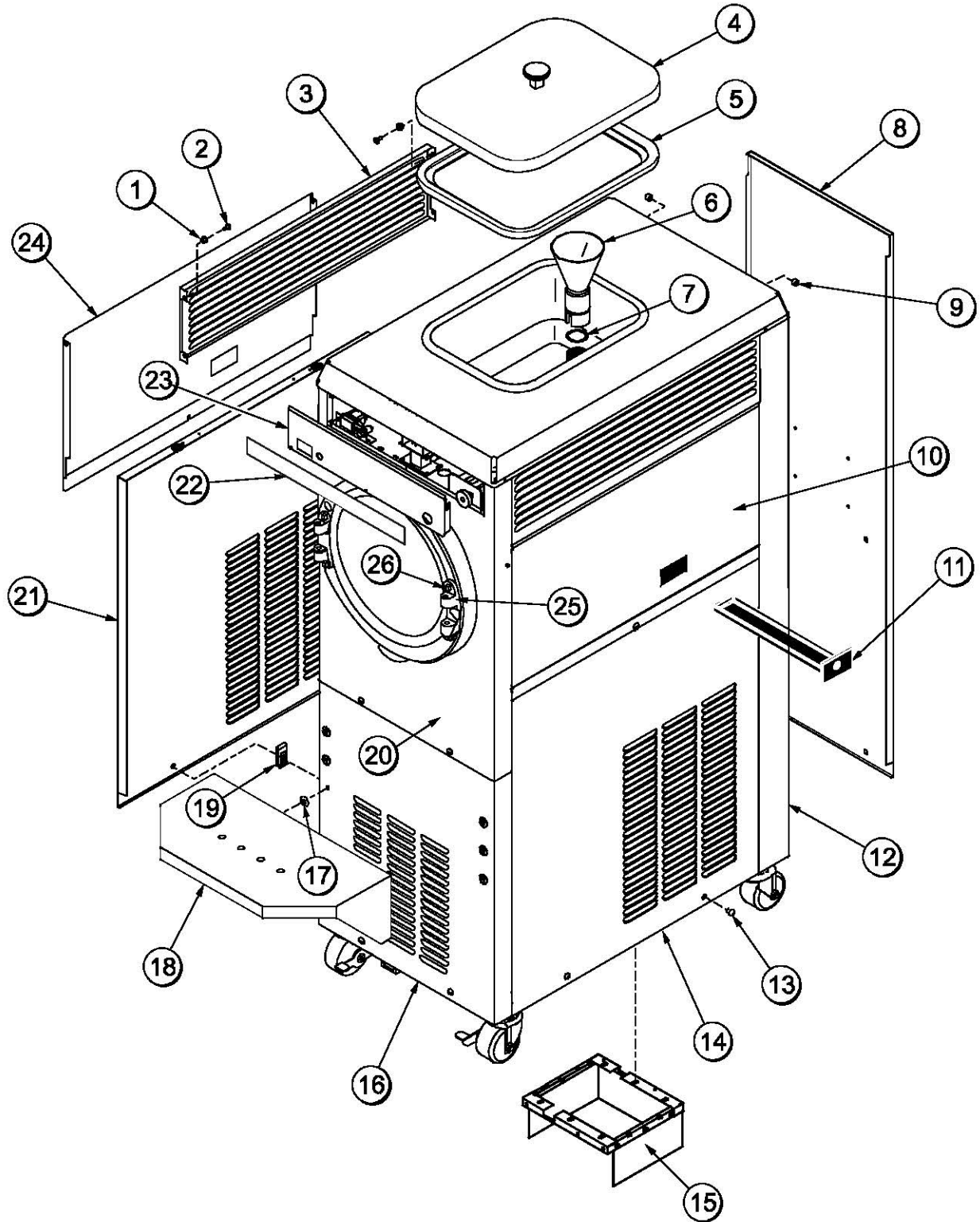


Model 220 Parts Identification

ITEM	DESCRIPTION	PART NO.
1	SHELL A.-INSULATED	X34861
1a	BEARING-REAR SHELL	031324
1b	WASHER-BEARING LOCK	012864
1c	NUT-BRASS BEARING	028991
1d	GUIDE-DRIP SEAL	028992
2	COUPLING-DRIVE 3/4 HEX	012721
3	GEAR A.*REDUCER 4.21:1	021286
4	PULLEY-2AK64-5/8 BORE	039695
5	BELT-V-4L400	007590
6	DRYER-FILTER 3/8 X 3/8	049154
7	SWITCH-PRESSURE 440 PSI	048230
8	VALVE-ACCESS 1/4FL X 3/8	043232
9	VALVE-ACCESS-1/4 MFLX1/4	047016
10	VALVE-EXP-THERMO-3/8S	049425
11	RECEIVER A.	X53505
12	COMPRESSOR CS27K3E-PFV-238	053465-
13	SCREW-5/16-18 X 2 HEX CAP	000153
14	WASHER-5/16-FLAT ZP STEEL	000651
15	KIT-MTNG-COMPRESSOR	052197
16	NUT-3/8-16 MF LOCK	017329
17	PULLEY-2AK32 X .626-.627	016251
18	MOTOR-1.5 HP	021522-
19	CLAMP-MOUNTING	012257
20	BUSHING-MOUNTING RUBBER	012258
21	HINGE A.-MOTOR	X25703
22	SCREW-5/16-18 X 2-3/4 HEX	004191
23	CAP-RUBBER MOUNT	011844
24	SPRING-COMP.970X.115X2.00	025707
25	GROMMET-7/16 X 5/16 SHOCK	016212

ITEM	DESCRIPTION	PART NO.
26	NUT-10-32 HEX	005598
27	SHROUD-TOP	049412
28	SHROUD-RIGHT	049413
29	BLOWER A.-HIGH OUTPUT (See Pg. 41)	X53478-27
29a	SCREEN-BLOWER	053729
30	CONDENSER-AC-12Lx18Hx4.3	019558
31	SHROUD-LEFT	049414
32	CASTER-SWW-3/4-10 ST. 3" WHEEL	021279
33	BOX A.-CAP&RELAY (See Pg. 37)	X53471-
34	CASTER-LOCKING SWIVEL 3" WHEEL	030307
35	SUPPORT-GEAR	031721
36	GUIDE A.-DRIP PAN	X28863
37	CONTROL-TEMP -15F TO 40F	019747
38	SWITCH A.-DRAW (See Pg 40)	X31727-SER
39	SPACER A.-SWITCH	X33136
40	BUZZER	022758-
41	BOLT-CARRIAGE 1/4-20 X 3/4	012347
42	PANEL A.-FRONT	X32154
43	KNOB-TEMP CONTROL	013731
44	CONTROL A. (See Pg. 39)	X49156-
45	COVER-CONTROL BOX	030679
46	PLATE-DEC	033027
47	LIGHT-ORANGE-ROUND	017450
48	SCREW-6-32X5/8 RHM-STNLS	019309
49	BRACKET-ROCKER SWITCH	020820
50	SWITCH-ROCKER-DPDT ON-OFF-ON	014237
51	CARD-SW-EJECT/OFF/AUTO	027910

Model 220 Panels Exploded View

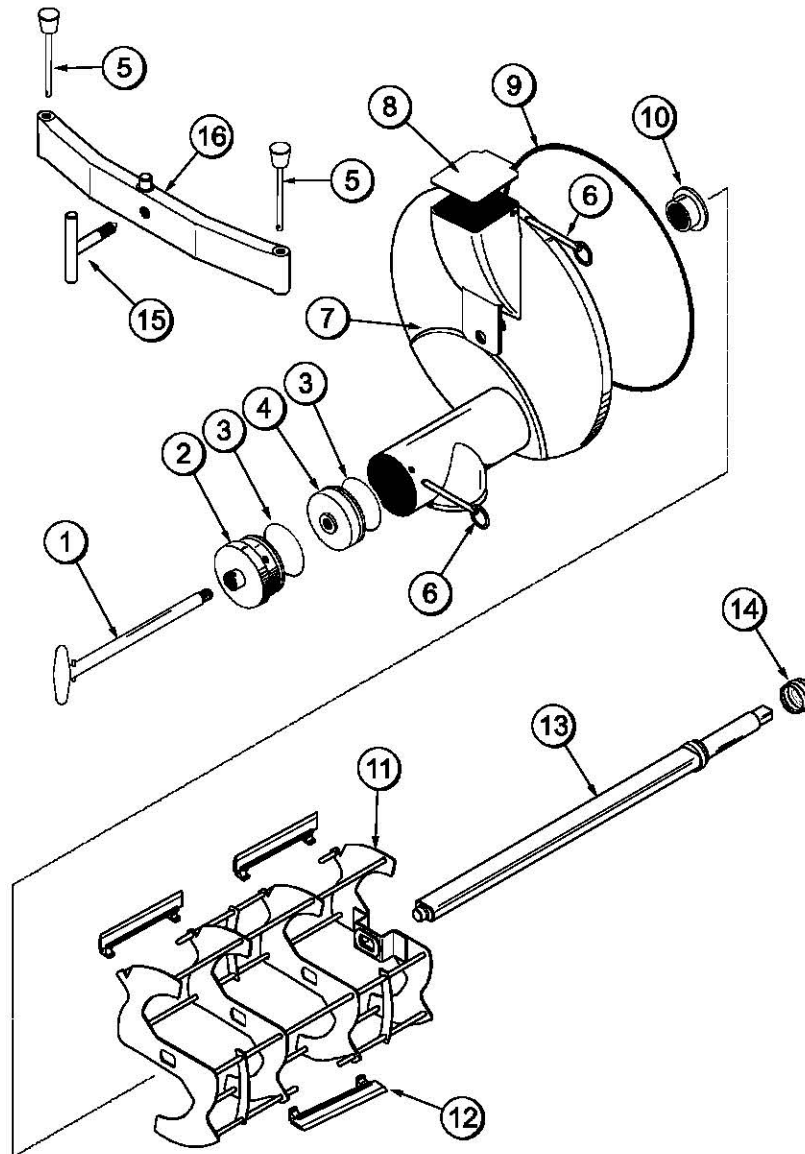


Model 220 Panel Parts Identification

ITEM	DESCRIPTION	PART NO.
1	WASHER-PLASTIC PIVOT	013808
2	SCREW-10-24X1/2-TAPTITE	002077
3	LOUVER-SIDE	019566
4	COVER A.-HOPPER	X24778
5	GASKET-HOPPER CVR-10 QT	011412
6	FUNNEL A.-MIX	X35636
7	O-RING-1-7/8 OD X .139W	018564
8	PANEL-REAR	031749
9	BUSHING-PANEL	013289
10	PANEL-UPPER SIDE R.	033125
11	PAN-DRIP 11-5/8 LONG	027503
12	TRIM-REAR CORNER L.	031894
	TRIM-REAR CORNER R.	031895
13	SCREW-1/4-20X3/8 RHM-SLS	011694

ITEM	DESCRIPTION	PART NO.
14	PANEL A.-SIDE *220* RIGHT	X49481-SER
15	DEFLECTOR A.-AIR EXHAUST	X57183
16	PANEL-FRONT LOWER	049441
17	COLLAR-HOLDING	019481
18	SHELF-DRIP TRAY	031753
19	FASTENER-CLIP 1/4-20 U-TYPE	045865
20	PANEL A.-FRONT	X32154
21	PANEL A.-SIDE *220* LEFT	X68090
22	DECAL-DEC	021872
23	PLATE-DEC	033027
24	PANEL-UPPER SIDE L.	033124
25	HINGE-CROSSBAR	007296
26	SCREW-HINGE	007245

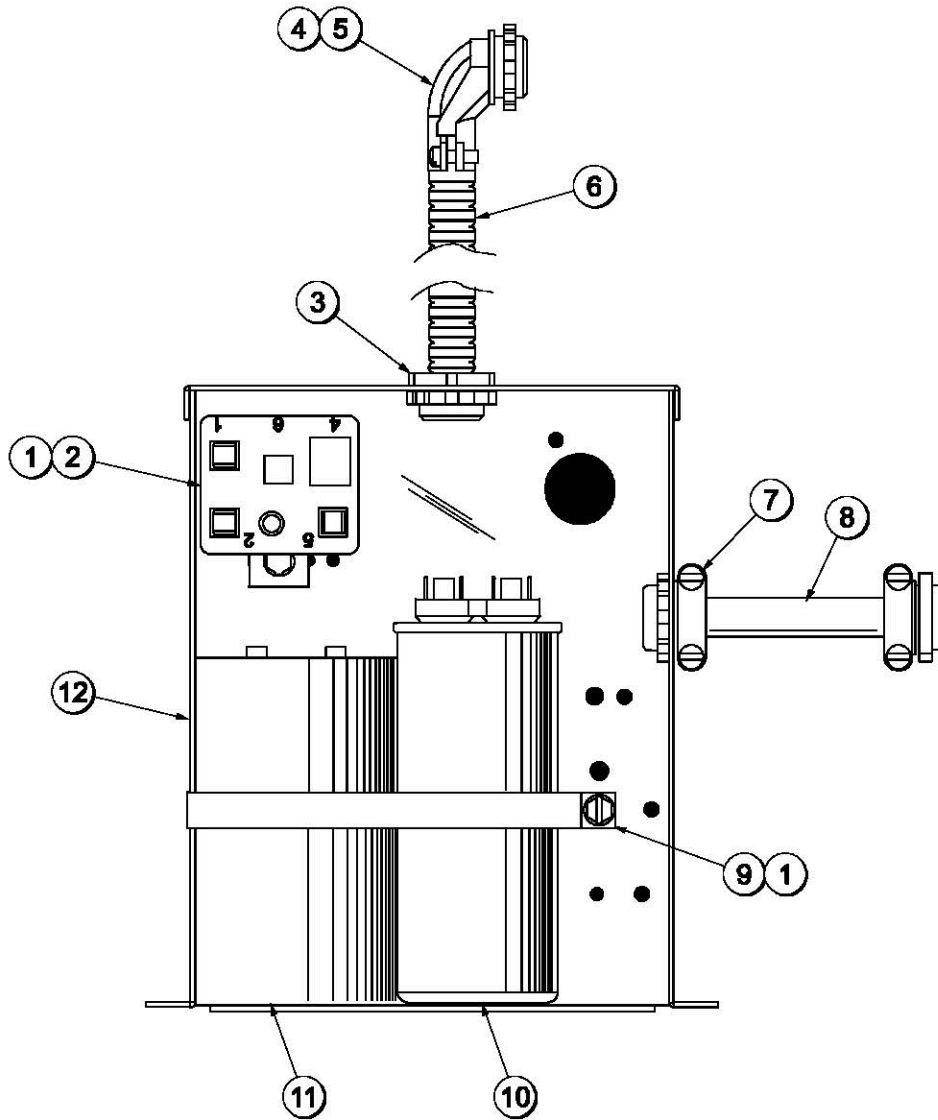
Model 220 Beater Door Assembly



ITEM	DESCRIPTION	PART NO.
1	ROD A.-DRAW	X30079
2	HOLDER A.-BEARING	X30078
3	O-RING-2-1/8 OD X .139W-#225	020051
4	PISTON-VALVE	030083
5	PIN-HINGE	X04329
6	PIN A.-PIVOT	X34737
7	DOOR A.-PARTIAL SPOUT	X32938
8	CAP A.-COVER	X29667

ITEM	DESCRIPTION	PART NO.
9	O-RING-11-3/8OD X .103W	019046
10	BEARING-FRONT	019176
11	BEATER A.	X32269
12	BLADE-SCRAPER	052586
13	SHAFT-BEATER	032276
14	SEAL-DRIVE SHAFT	031316
15	SCREW A.-CROSS BAR	X07233
16	BAR-CROSS	011740

Cap & Relay Box X53471-27 (Model 220)

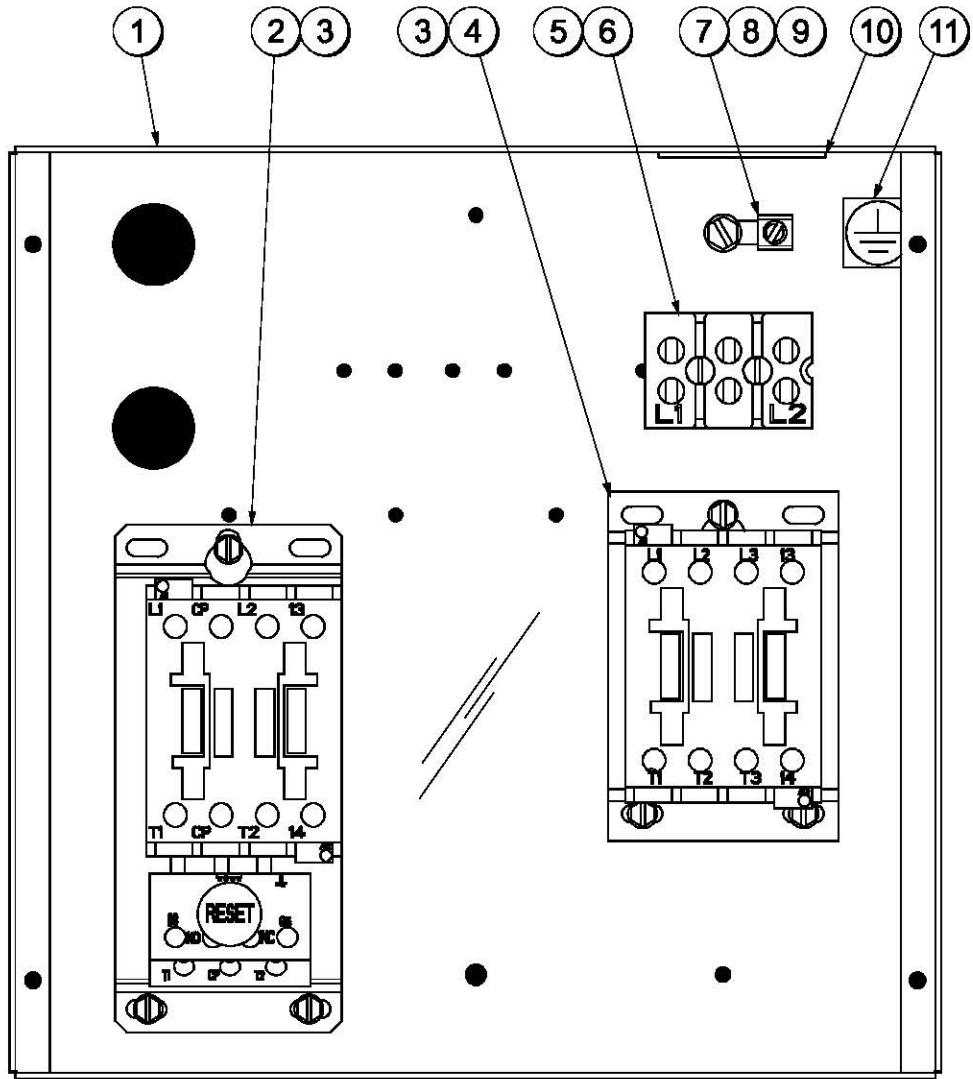


ITEM	DESCRIPTION	PART NO.
1	SCREW-10X3/8TYPEB-HWH	015582
2	RELAY-START-COMPRESSOR	053473
3	CONNECTOR-BX 3/8 STR	001791
4	CONNECTOR-BX 3/8 90D	001793
5	BUSHING-ANTI-SHORT 3/8	019117
6	GREENFIELD-3/8	020495-27
7	CONNECTOR-BX 3/8 STR	014569
8	SLEEVE-WMRE 7/16 ID	020919-24

ITEM	DESCRIPTION	PART NO.
9	STRAP-CAPACITOR 7-11/32	037890
10	CAPACITOR-RUN-40MF/440VOLT	036049
11	CAPACITOR-START-189-227UF/33	033044-1
12	BOX-CAPACITOR RELAY	030183
*	COVER-CAP.RELAY BOX	030315
*	LABEL-WMIRING SINGLE PHASE	052396-1

*NOT SHOWN

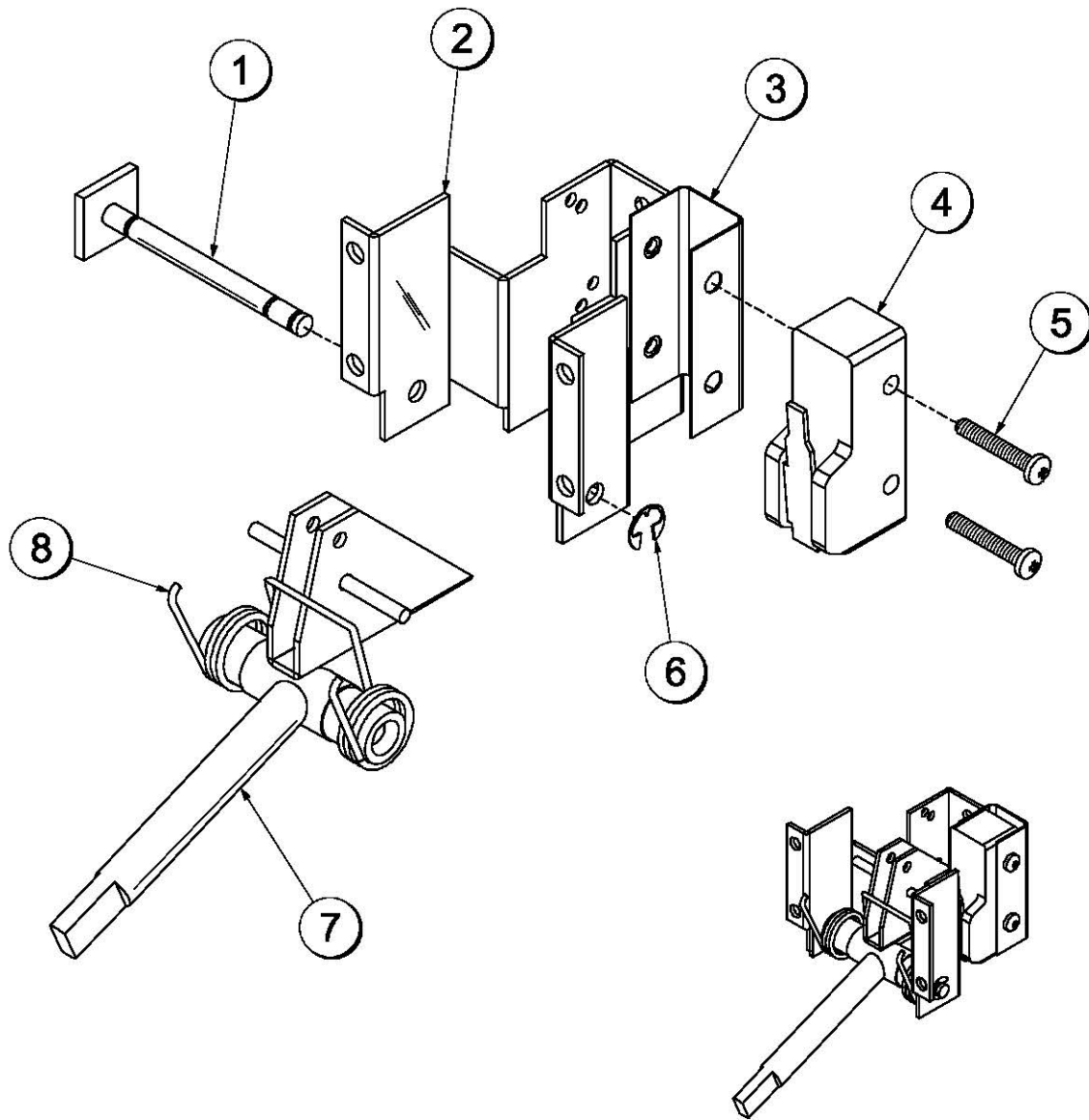
Control A. X49156-27 (Model 220)



ITEM	DESCRIPTION	PART NO.
1	BOX-CONTROL	032397
2	STARTER-1 PHASE-4.5 TO 7 A	041950-27K
3	SCREW-8X1/4 SL HEX HD	009894
4	RELAY-3 POLE-20A-208/240	012725-33
5	SCREW-8 X 1-1/4 RD HD TYP B	039420
6	BLOCK-TERMINAL 2P-L1,L2	039422

ITEM	DESCRIPTION	PART NO.
7	LUG-GROUNDING 260	020928
8	SCREW-10-32X1/2 MF HEX CAP	020982
9	NUT-10-32 MF LOCK	020983
10	LABEL-COPPER COND ONLY	025948
11	LABEL-GROUNDING SYMBOL	017669

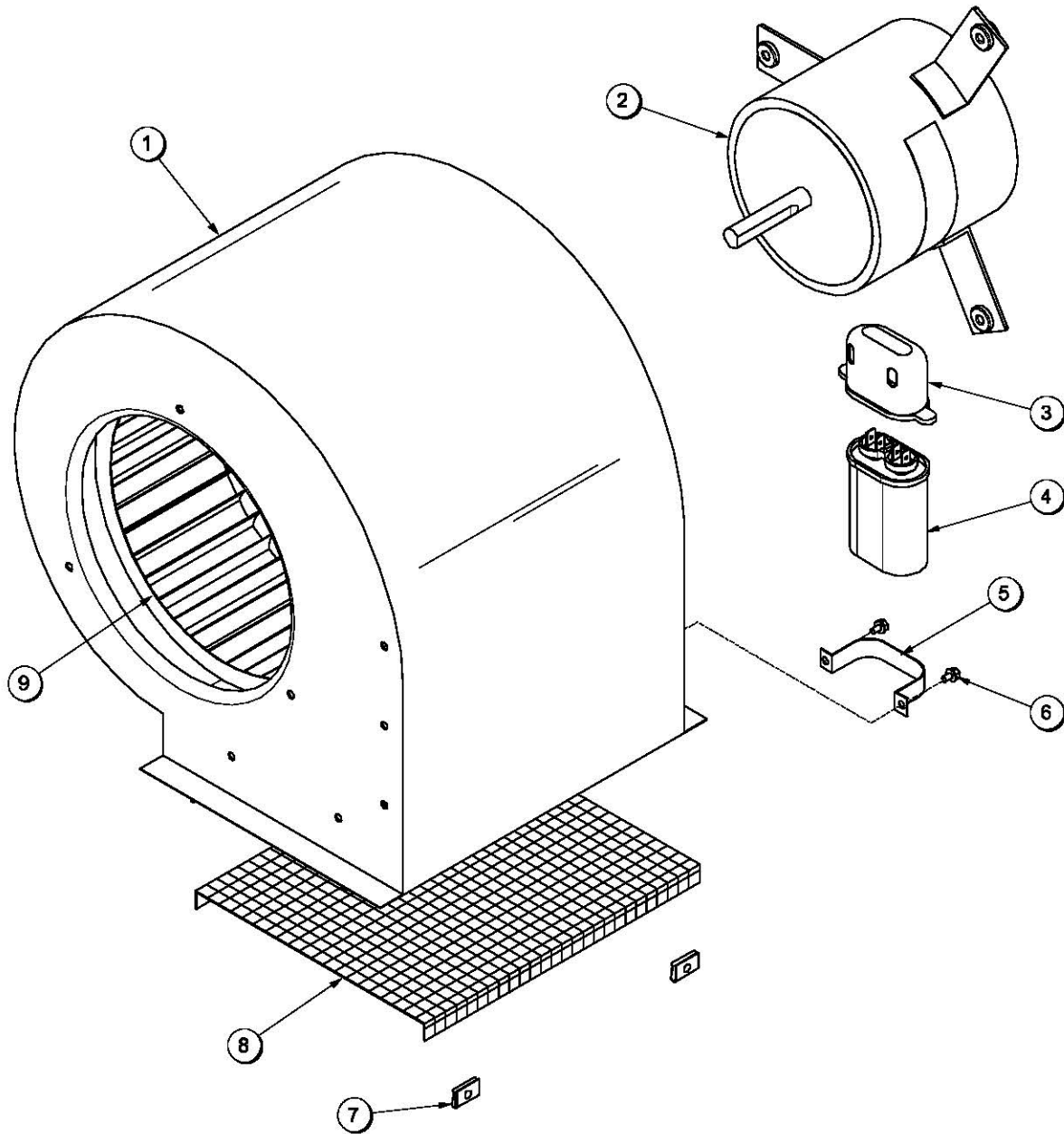
Switch A.-Draw X31727-SER



ITEM	DESCRIPTION	PART NO.
1	PIN-PIVOT	015478
2	BRACKET-SWITCH DOOR	015335
3	INSULATOR-ARMITE-4 HOLE	012992
4	SWITCH-LEVER-SPDT-15A	009367

ITEM	DESCRIPTION	PART NO.
5	SCREW-6-32X7/8 TAPTITE	042514
6	E-RING 3/16 .335 O.D.	049178
7	ARM A.-SWITCH	X31728
8	SPRING-RETURN	015342

Blower A. X53478-27



ITEM	DESCRIPTION	PART NO.
1	HOUSING-BLOWER-4 POLE	053727
2	MOTOR-BLOWER FAN HIGH OUTPUT	053480-27
3	BOOT-CAPACITOR INSULATING	031314
4	CAPACITOR-RUN- 10 UF/370V	033047

ITEM	DESCRIPTION	PART NO.
5	BRACKET-CAPACITOR 1-1/4X2-1/16	031205
6	SCREW-8X1/4 SL HEX HD	009894
7	CLIP-SCREEN-BLOWER	053730
8	SCREEN-BLOWER	053729
9	WHEEL-BLOWER	053726