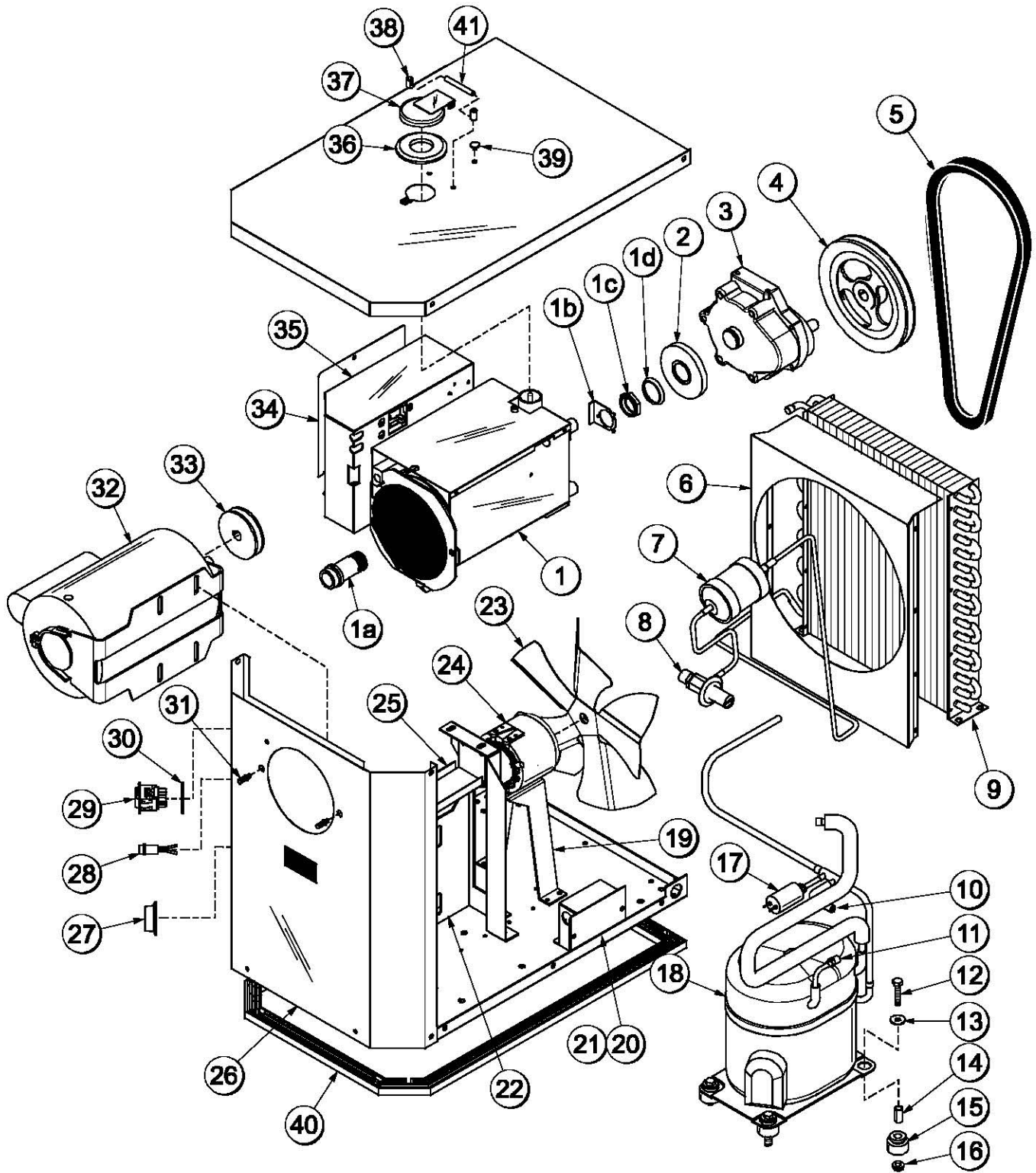


Model 104 Exploded View

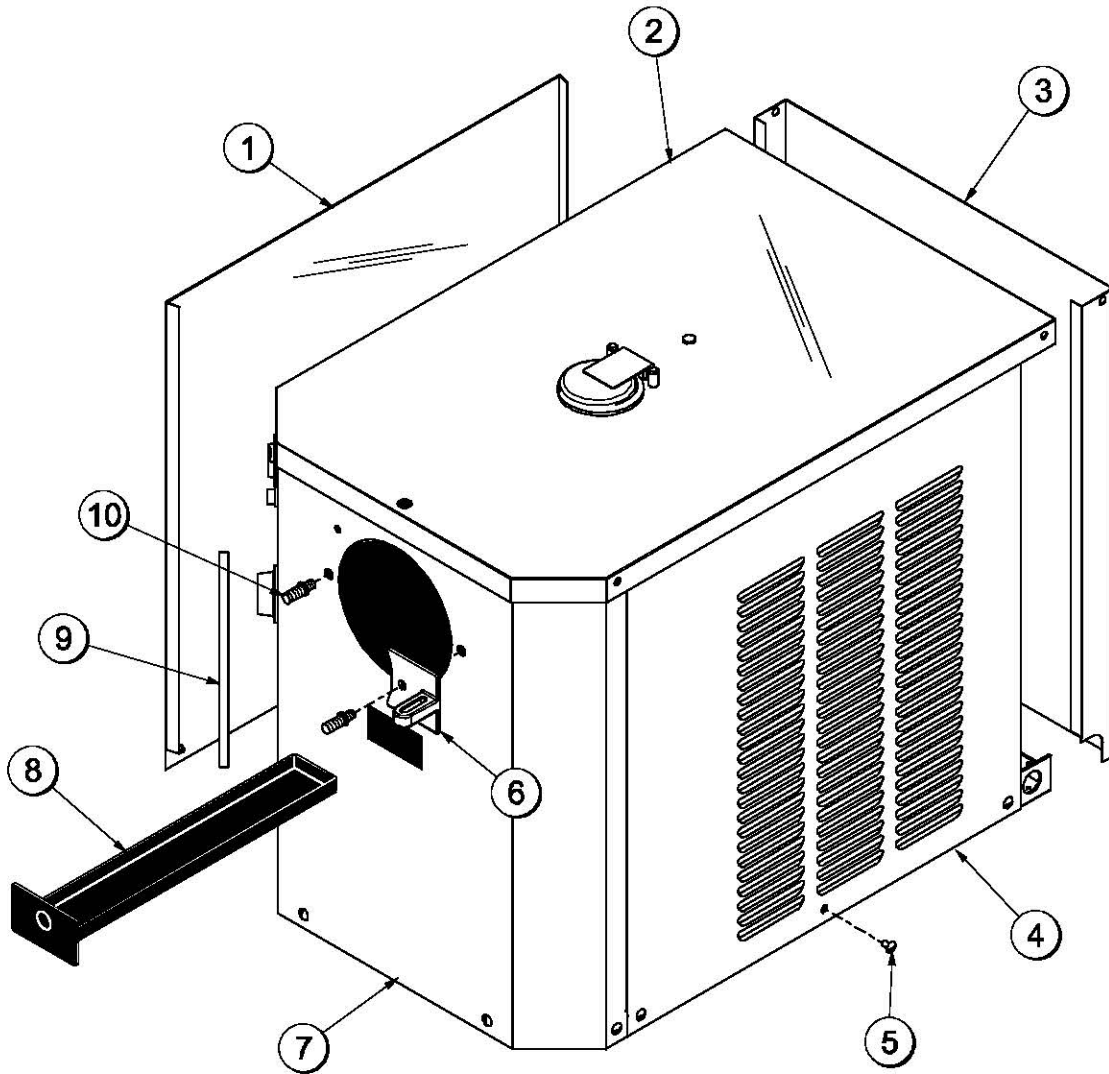


Model 104 Parts Identification

ITEM	DESCRIPTION	PART NO.
1	SHELL A.-INSULATED	X33380
1a	BEARING-REAR SHELL	031324
1b	WASHER-BEARING LOCK	012864
1c	NUT-BRASS BEARING	028991
1d	GUIDE-DRIP SEAL	028992
2	SHIELD-MIX-GEAR REDUCER	013356
3	GEAR A.*REDUCER 4.21:1	012235
4	PULLEY-AK74 X 5/8	051013
5	BELT-V-4L420	004338
6	SHROUD-CONDENSER	051035
7	DRYER-FILTER-HP62-3/8 X 1/4S	048901
8	VALVE-EXP-AUTO-1/4S X 1/4	047232
9	CONDENSER-AC-12LX16HX2.5	048935
10	VALVE-ACCESS 1/4FL X 3/8	044455
11	VALVE-ACCESS-1/4 MFLX1/4	047016
12	SCREW-5/16-18 X 1-3/4 HEX	019691
13	WASHER-5/16-FLAT ZP STEEL	000651
14	SLEEVE-MOUNTING-COMP-AE	039920
15	GROMMET-COMPRESSOR MT	039919
16	NUT-5/16-18 MF-LOCK	017327
17	SWITCH-PRESSURE 440 PSI	048230
18	COMPRESSOR AKA9462ZXD-AK172E	049302-

ITEM	DESCRIPTION	PART NO.
19	BRACKET-FAN	051036
20	BOX-SPLICE	051053
21	COVER-SPLICE BOX	011858
22	SUPPORT-SHELL	051037
23	FAN-5 BLADE 12" PUSH 22°C	049009
24	MOTOR-FAN 50 WATT	029770-
25	GUIDE A.-DRIP PAN	X51048
26	PANEL A.-FRONT	X51043
27	KNOB-TIMER	030343
28	LIGHT-ORANGE-ROUND	017450
29	SWITCH-ROCKER-AUTO/EJECT	049628
30	SEAL-PANEL-ROCKER SWITCH	048421
31	STUD-FREEZER DOOR	023057
32	MOTOR-1HP 60HZ 115/208-230	034097-
33	PULLEY-AK30 X 5/8	033559
34	COVER-CONTROL BOX	051056
35	CONTROL A. (See Pg. 38)	X49827-
36	BEZEL	033406
37	COVER A.-MIX INLET	X24948
38	SUPPORT-INLET COVER	027449
39	BUMPER-RUBBER 15/64"HOLE	031667
40	GASKET-BASE PAN	049420
41	PIN-INLET COVER	027464

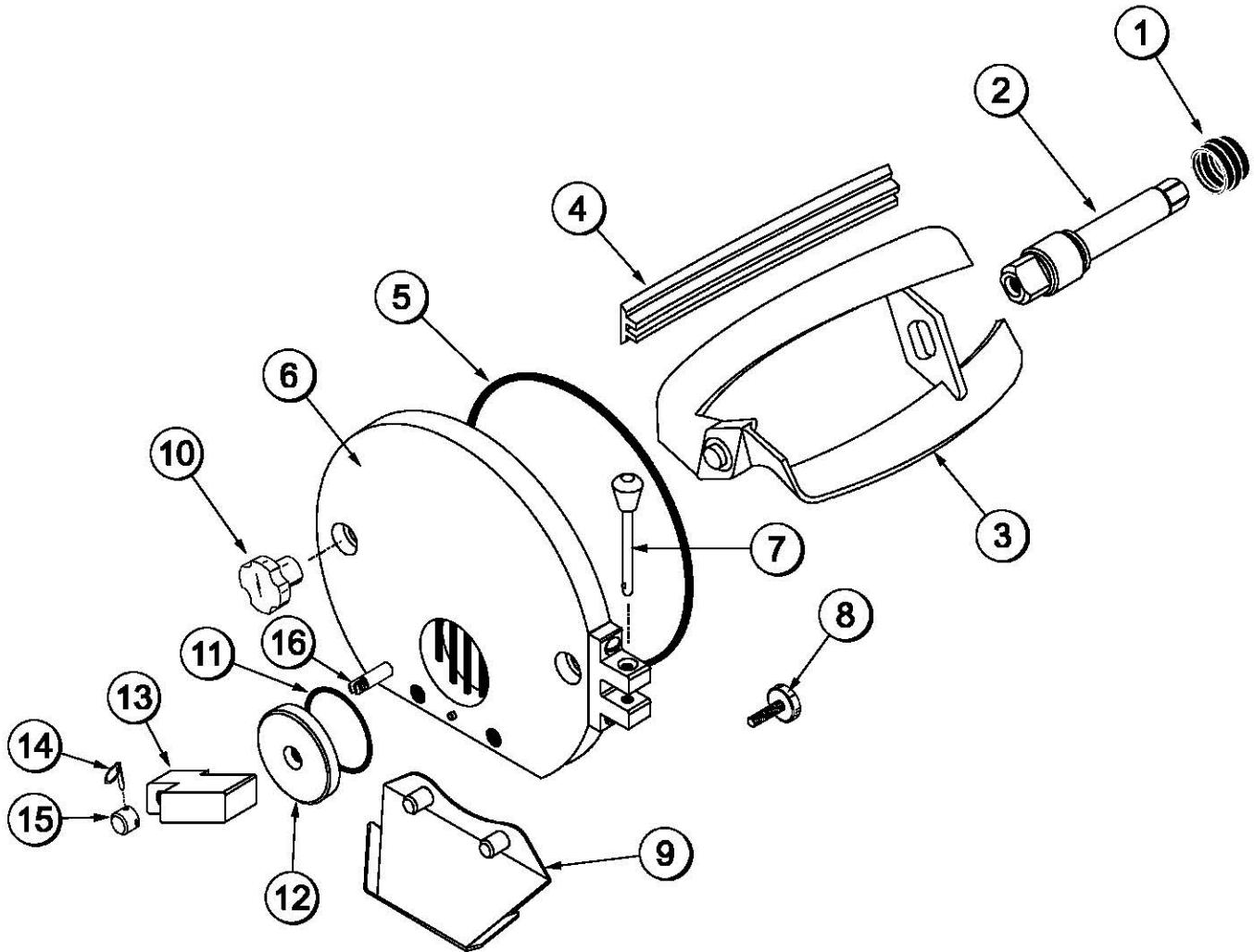
Model 104 Panels Exploded View



ITEM	DESCRIPTION	PART NO.
1	PANEL-SIDE *L	051039
2	HOOD A.	X51044
3	PANEL-REAR	051040
4	PANEL-SIDE *R	051038
5	SCREW-10-32X3/8-TRUSS-HD	024298

ITEM	DESCRIPTION	PART NO.
6	HINGE-COVER-ASSY-ADAPTOR	037707
7	PANEL A.-FRONT	X51043
8	PAN-DRIP 13-1/4 LONG	039027
9	DECAL-DEC	051046-60
10	STUD-FREEZER DOOR	023057

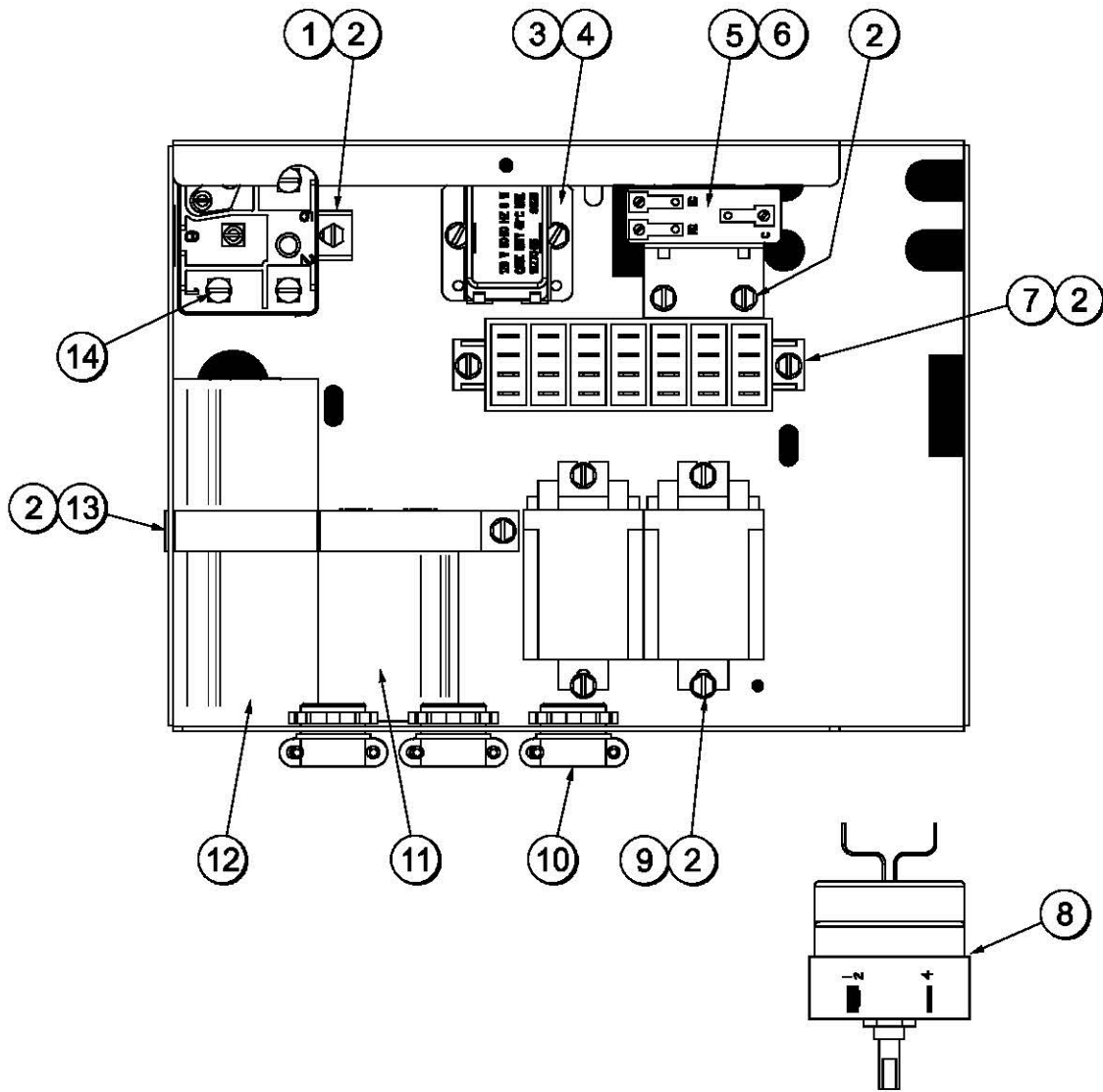
Model 104 Beater Door Assembly



ITEM	DESCRIPTION	PART NO.
1	SEAL-DRIVE SHAFT	032560
2	SHAFT-BEATER	033498
3	BEATER ASSEMBLY	X33417
4	BLADE-SCRAPER 7-1/4" L	033277
5	O-RING 5-7/16 OD X 5-1/4 ID	033276
6	DOOR A.-PARTIAL	X37710
7	PIN A.-PIVOT 1-3/4 GRIP	X37705
8	SCREW-STEM	034662

ITEM	DESCRIPTION	PART NO.
9	SPOUT A.-DRIP	X33422
10	NUT-STUD	008614
11	O-RING 2-1/4 OD X .139 W	030890
12	PLATE-DRAW	027811
13	ARM-HANDLE	030042
14	PIN-CLEVIS 3/16 X 1 SS	027813
15	CAP-STEM	027812
16	STEM-FREEZER COVER	034661

Control A. X62460-27 (Model 104)



ITEM	DESCRIPTION	PART NO.
1	RELAY-START-COMPRESSOR	048150
2	SCREW-8X1/4 SLTD HEX	009894
3	SCREW-6X3/8 SLTD HEX	001825
4	BUZZER 240V/5W	022758-27
5	SWITCH-ROLLER-SPDT-20A	025444
6	SCREW-6-32X7/8 SLOTTED	007017
7	BLOCK-TERMINAL 7P 20A 300	022606
8	TIMER-INTERVAL 30MIN 230	030324-27

ITEM	DESCRIPTION	PART NO.
9	RELAY-DPDT-20A-120/240/277	026581-27
10	CONNECTOR-BX 3/8 STR -2 SCREW	014569
11	CAPACITOR-RUN 15UF/370V	027087
12	CAPACITOR-START 72-88UF	039567
13	STRAP-CAPACITOR 5-5/8 IN.	030258
14	SCREW-8-32X1/4 SLOTTED	000953