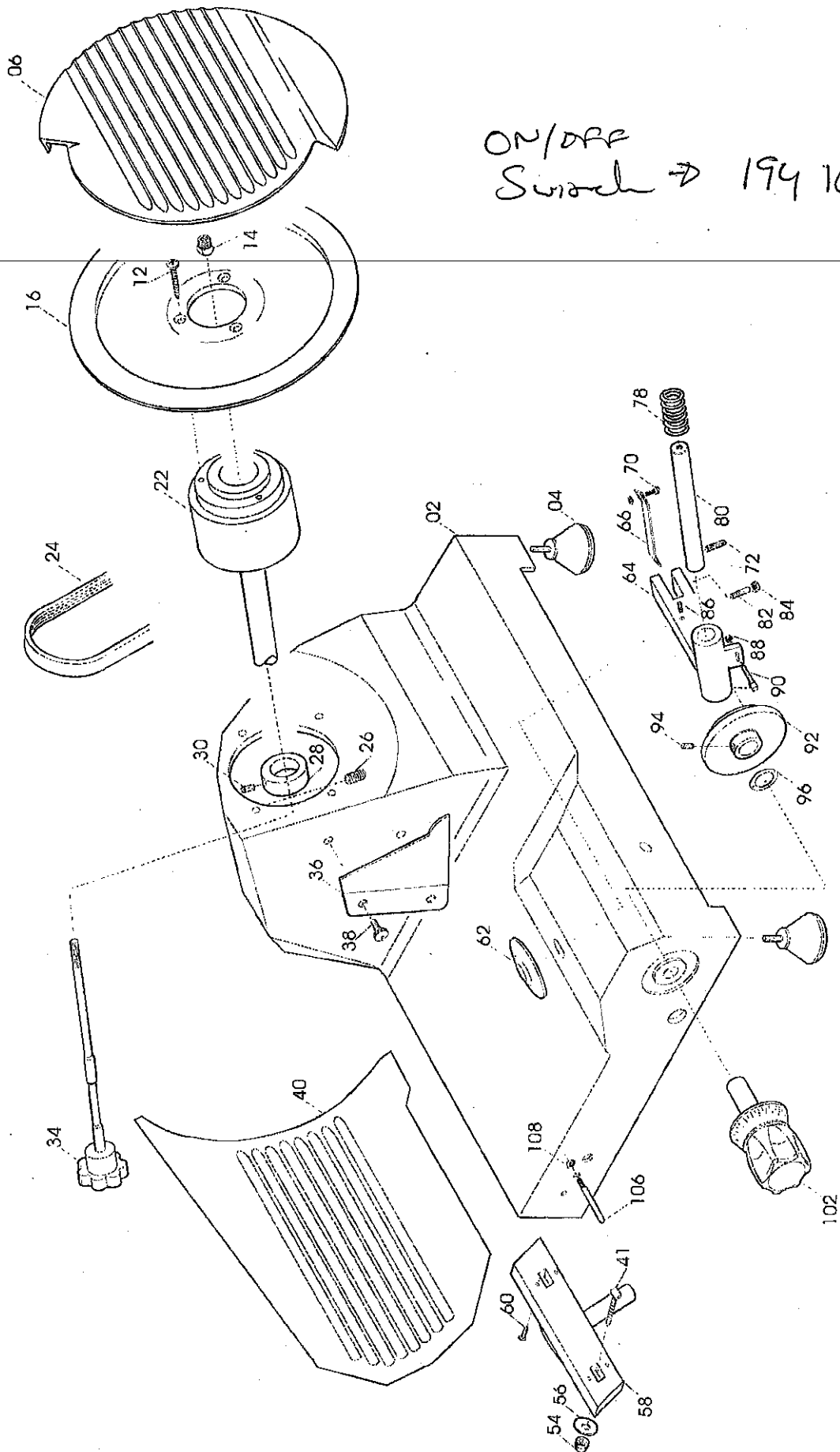
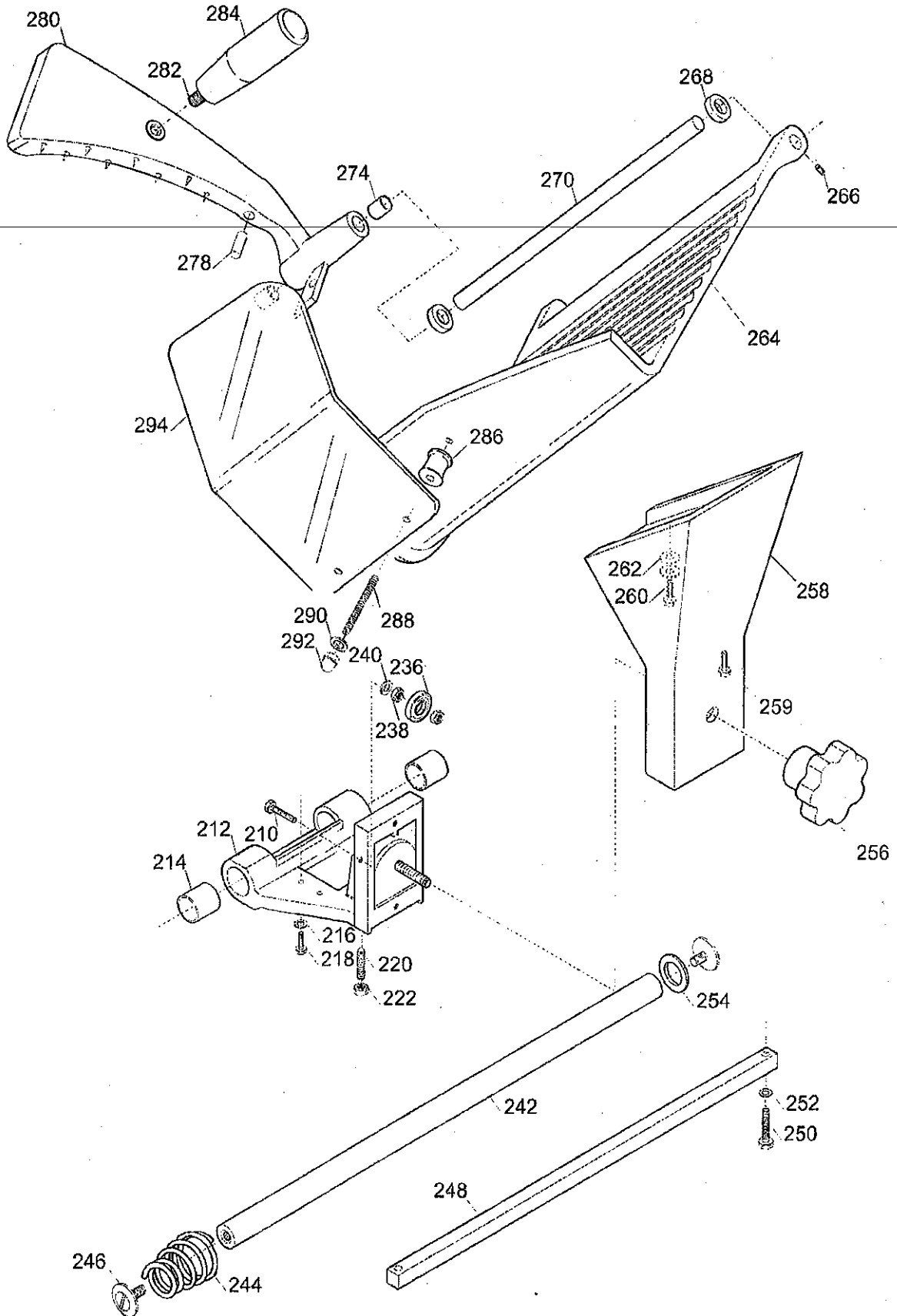
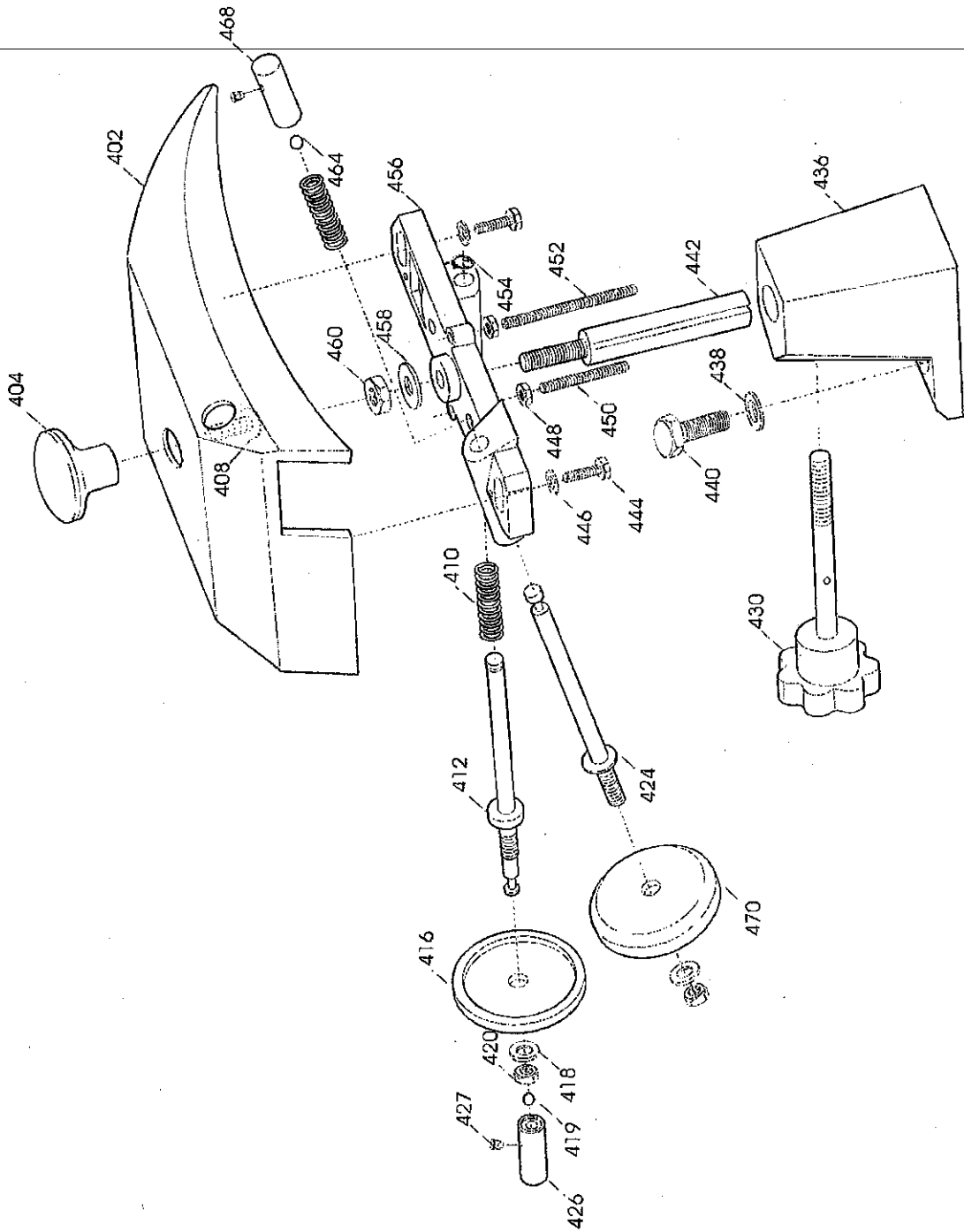
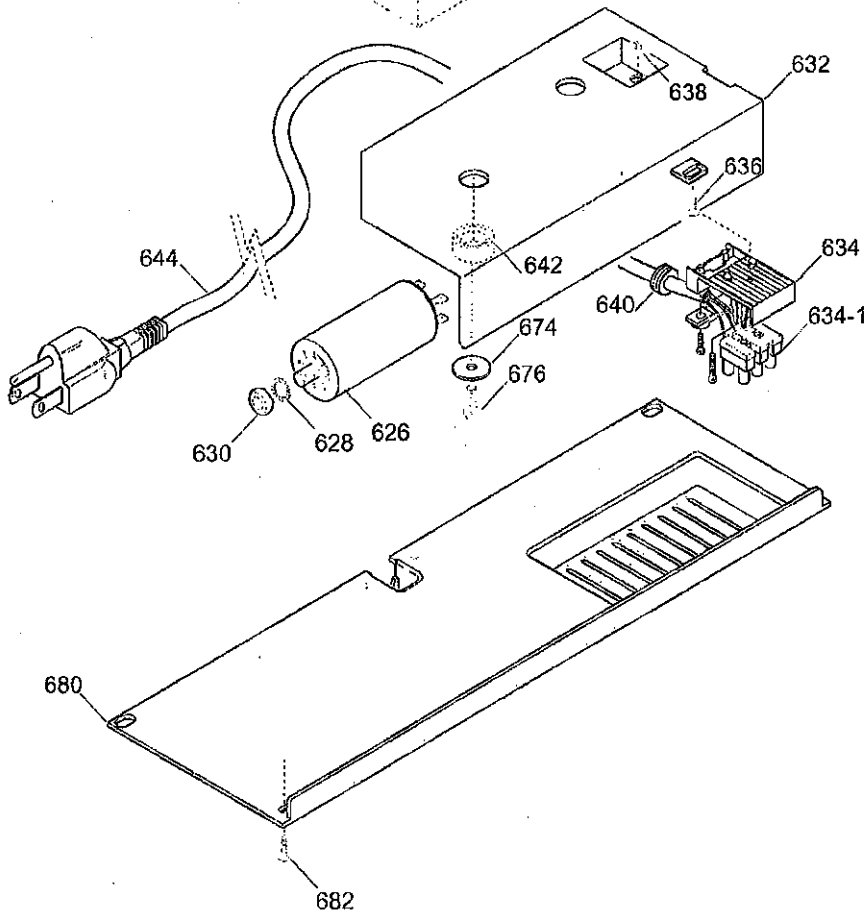
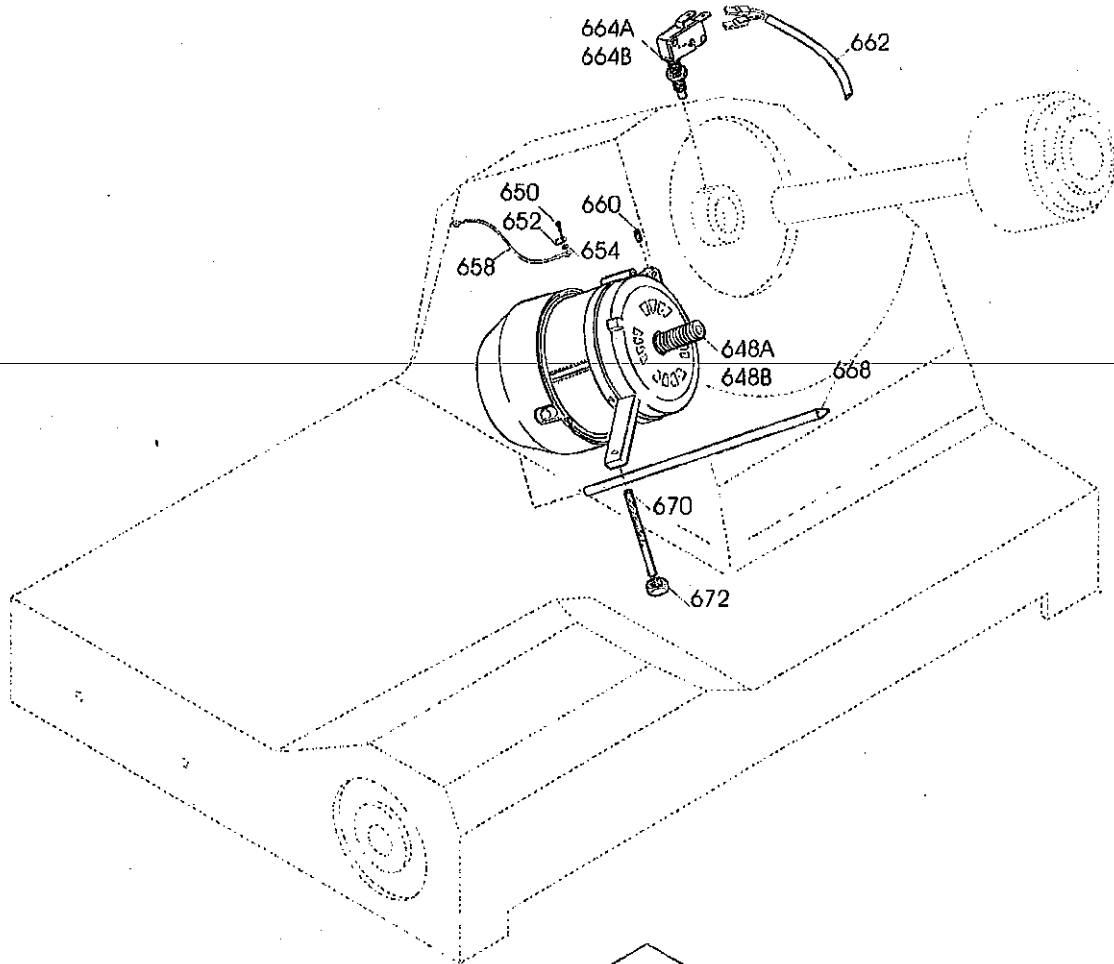


ON/OFF
Switch → 194 101 02









Slicer			(1
Mirra 300			(2
Ref. #	Code	Description	U
02	SM500116	Frame Mirra 275 / 300	Lit
04	19560201	Foot	Lit
06	SM500503	Blade guard	Lit
10	--	Spacer	Lit
102	19562402	Dial knob	Lit
12	--	Screw	Lit
120	19702508	Blade removal tool	Lit
14	SM133418	Blade guard stop	Lit
16	--	Blade - see price list	Lit
18	SM503403	Blade protection ring	Lit
20	--	Screw	Lit
22	SM591519	Pulley	Lit
24	19310206	Belt	Lit
26	--	Stud bolt	Lit
28	19540905	Microswitch holder ring	Lit
30	--	Stud bolt	Lit
34	SM212740	Blade guard tie rod	Lit
36	SM501203	Deflector	Lit
38	SM110604	Deflector screw	Lit
40	SM504120	Thickness gauge (plate)	Lit
41	--	Screw	Lit
54	--	Nut	Lit
56	--	Washer	Lit
58	SM500318	Plate support	Lit
60	--	Screw	Lit
62	19563001	Waterguard	Lit
64	SM500218	Thickness gauge movement	Lit
66	SM540118	Movement plate	Lit
70	--	Bolt	Lit
72	--	Stud bolt	Lit
78	SM370111	Thickness gauge movement spring	Lit
80	SM521218	Thickness gauge movement pin	Lit
82	--	Stud bolt	Lit
84	--	Nut	Lit
86	--	Stud bolt	Lit
88	--	Nut	Lit
90	SM131918	Movement needle	Lit
92	SM530130	Cam	Lit
94	--	Stud bolt	Lit
96	19342005	Corrugated washer	Lit

Slicer			(1)
Mirra 300			(2)
Ref. #	Code	Description	Un
202	19533200	Threaded release plaque	Lit.
204	SM190830	Carriage plaque	Lit.
206	19565001	Derling push rod	Lit.
208	19534034	Release pin	Lit.
210	--	Bolt	Lit.
212	SM500818	Carriage	Lit.
214	SM220203	Bush	Lit.
216	--	Washer	Lit.
218	--	Bolt	Lit.
220	--	Stud bolt	Lit.
222	--	Nut	Lit.
224	19390600	Release spring	Lit.
226	19534024	Release threaded bush	Lit.
228	19534029	External threaded ring nut	Lit.
230	--	Bolt	Lit.
232	SM560718	Carriage plaque	Lit.
236	19320101	Carriage bearing	Lit.
238	--	Nut	Lit.
240	--	Washer	Lit.
242	19530612	Carriage round bar	Lit.
244	SM370104	Spring	Lit.
246	SM130201	Round bar chromed screw	Lit.
248	SM541918	Square bar	Lit.
250	--	Bolt	Lit.
252	--	Washer	Lit.
254	SM210805	Washer	Lit.
256	SM211004	Shank locking knob	Lit.
258	SM500818	Shank	Lit.
259	--	Bolt	Lit.
260	--	Bolt	Lit.
262	--	Washer	Lit.
264	19510410	Meat hopper	Lit.
266	--	Stud bolt	Lit.
268	SM211108	Teflon bush	Lit.
270	AMP270	Meat press rod	Lit.
274	19324102	Bush	Lit.
278	19563206	Meat press buffer	Lit.
280	19510922	Meat press	Lit.
282	19541509	Meat press knob spacer	Lit.
284	19562904	Meat press knob	Lit.
286	SM100700	Hand protection spacers	Lit.
288	19336006	Hand protection spacers stud bolt	Lit.
290	--	Washer	Lit.
292	--	Nut	Lit.
294	19562324	Hand protection	Lit.

Slicer
Mirra 300

Ref. #	Code	Description
402	SM501501	Sharpener cover
404	SM211413	Sharpener cover knob
408	--	Bolt
410	SM370101	Sharpener spring
412	SM570101	Snagging pin
416	SM260102	Snagging stone
418	--	Washer
419	SM310511	Ball
420	--	Nut
424	SM570201	Sharpening pin
426	SM561001	Snagging button
427	SM150401	Sharpener button screw
430	SM592400	Sharpener locking knob
436	SM501303	Sharpener support
438	--	Washer
440	--	Bolt
442	SM540501	Sharpener support
444	--	Bolt
446	--	Washer
448	--	Nut
450	19336003	Hand protection spacer stud bolt
452	19336006	Sharpener medium stud bolt
454	--	Washer
456	SM501401	Sharpener frame
458	--	Washer
460	--	Nut
464	SM310510	Sharpener ball
468	SM561001	Sharpening button
470	SM260101	Sharpening stone

Slicer
Mirra 300

Ref. #	Code	Description
618	--	Bolt
620	--	Spacer
622	--	Nut
624A	19411007	220V Single phase power board
624B	19411008	220V-380V Three phase power board
626	19410301	Capacitor
628	--	Washer
630	--	Nut
632	19563125	Relay box
634	19410801	Terminal board
636	--	Screw
638	--	Nut
640	19561500	Relay box spacer
642	--	Spacer
644A	19410502	Single-phase power cord
644B	19410506	Three-phase power cord
648A	SM400108	220/50 Motor
648B	SM402215	400/50 Motor
650	--	Screw
652	--	Ground plaque
654	--	Washer
658	19410732	Ground wire
660	--	Stud bolt
662	19410703	Microswitch cord
664A	19410201	Microswitch
664B	19410202	Three-phase microswitch
668	SM540718	Motor pin
670	19336018	Motor tie rod stud bolt
672	--	Nut
674	--	Washer
676	--	Bolt
680	19563152	Bottom protection
682	--	Screw