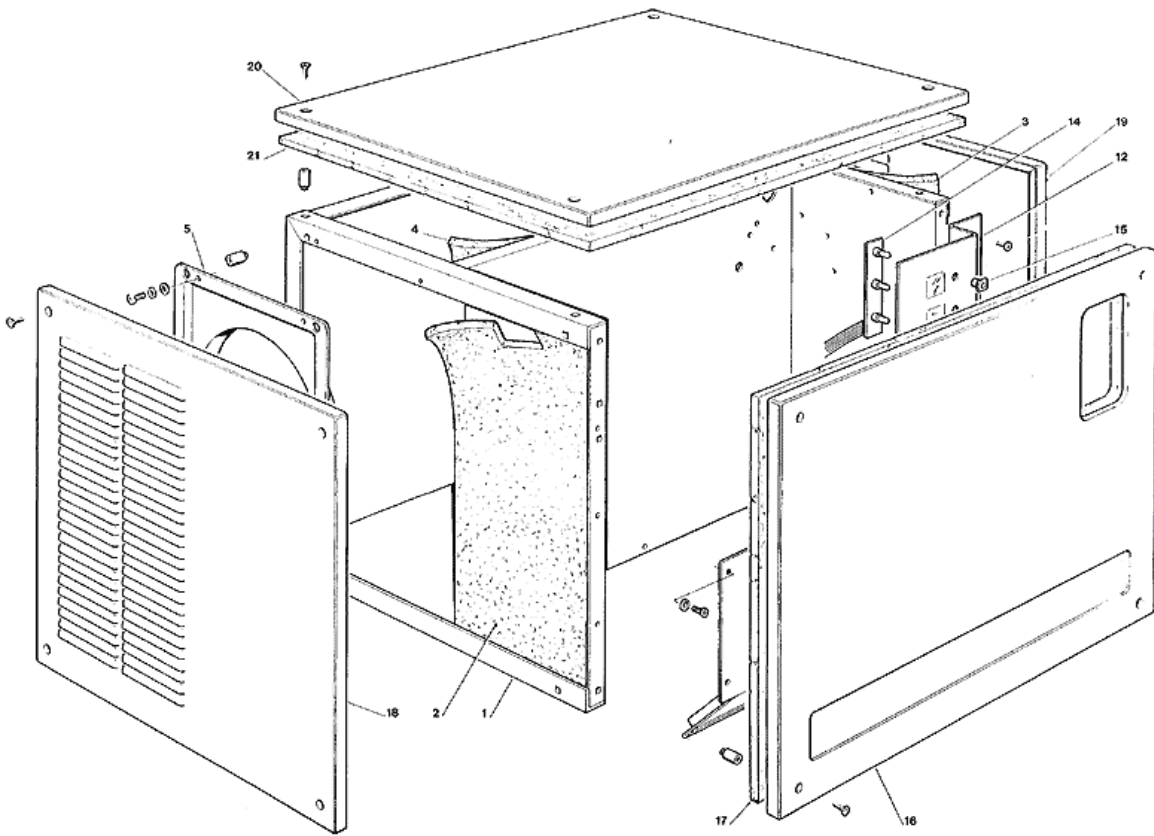


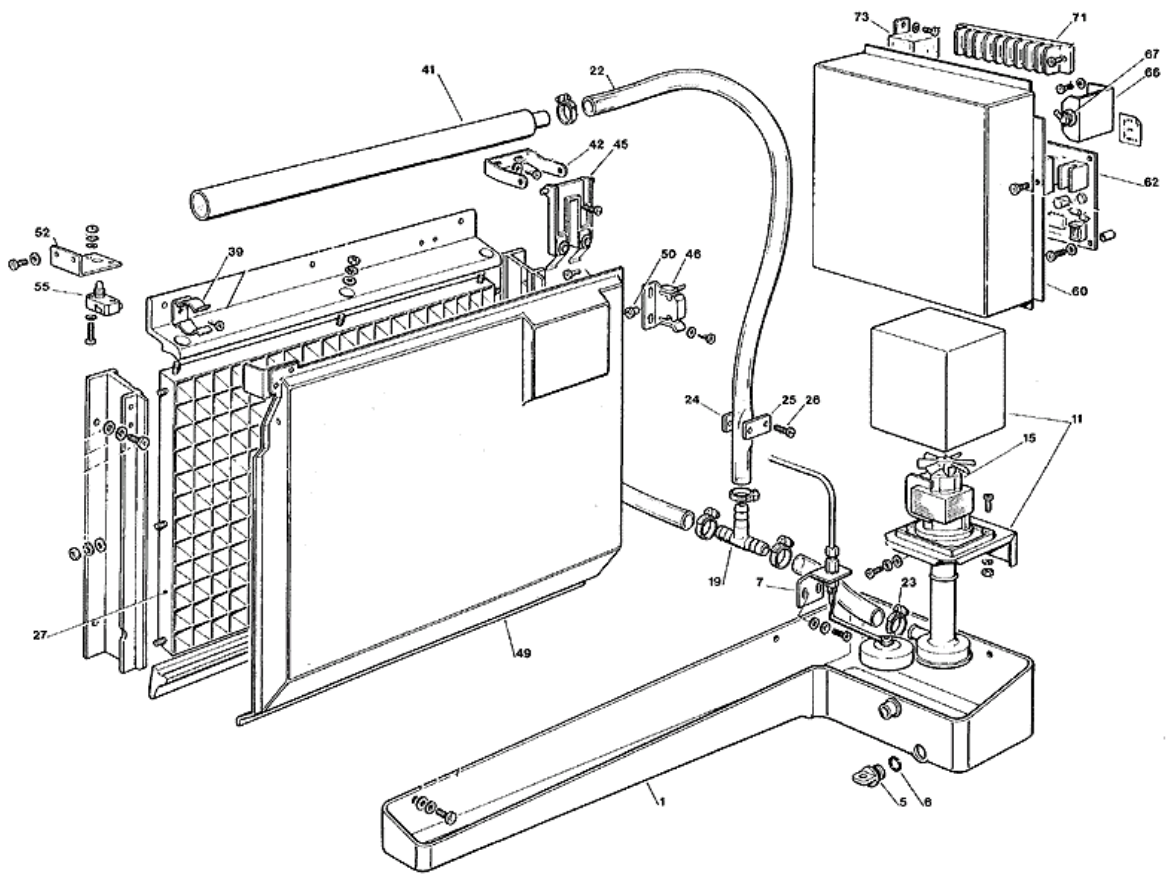
- 1 - CABINET ASSEMBLY
- 2 - ICE MAKING SYSTEM AND CONTROL BOX (up to S.N. 7647)
- 3 - ICE MAKING SYSTEM AND CONTROL BOX (from S.N. 7648)
- 4 - CONDENSING UNIT AIR COOLED
- 5 - CONDENSING UNIT WATER COOLED
- 6 - P.C. BOARD AND SENSORS ASSY (from S.N. 7648)

1 - CABINET ASSEMBLY



1 - CABINET ASSEMBLY

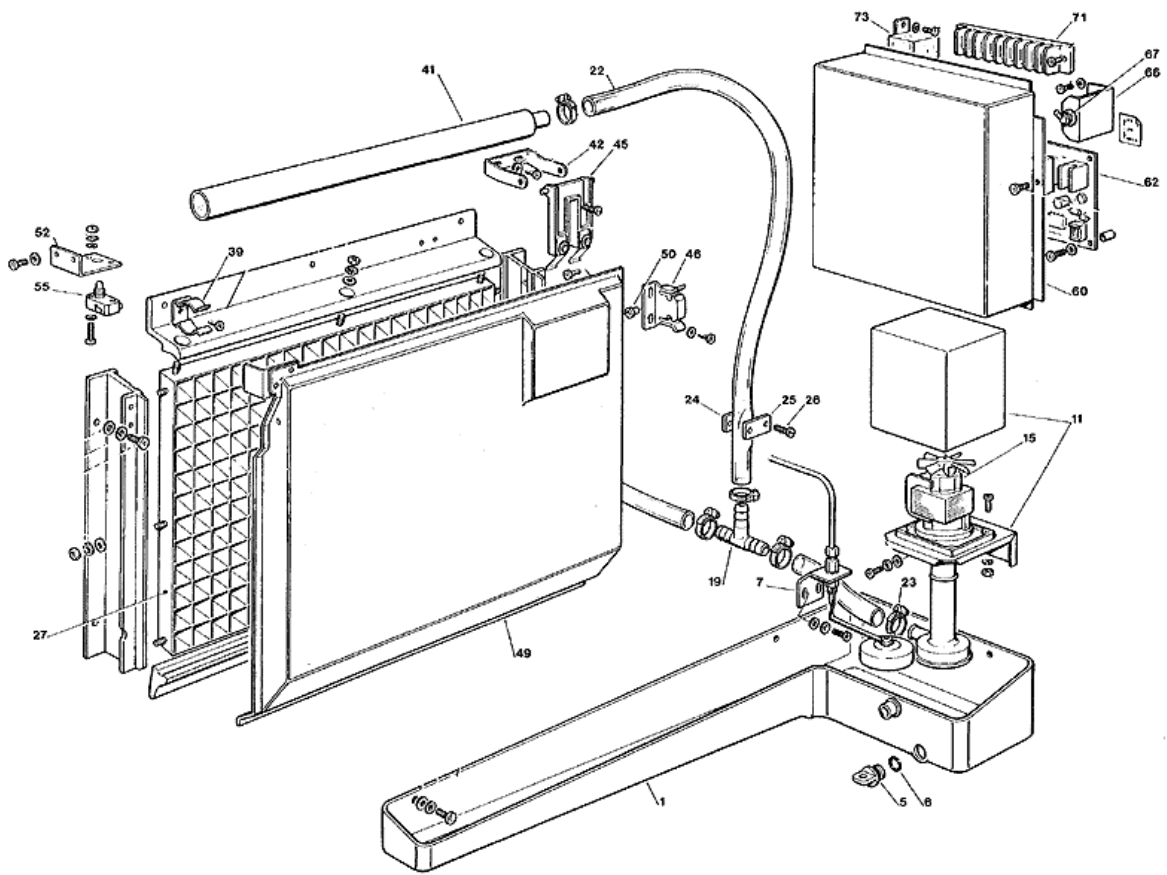
POSITION	CODE	DESCRIPTION
0002	CM 25550037	INSULATION
0003	CM 25550038	INSULATION
0004	CM 25550036	INSULATION
0014	CM 33580024	MONITORING LED ASSY
0015	CM 33500026	LED HOLDER
0017	CM 25550063	INSULATION
0021	CM 25550043	INSULATION





Scotsman[®] - ICE MAKING SYSTEM AND CONTROL BOX (up to S.N. 7647)

POSITION	CODE	DESCRIPTION
0001	CM 81453116	WATER RESERVOIR
0005	CM 25730503	DRAIN PLUG
0006	CM 41020448	GASKET
0007	02002217 02	VALVE ASSY/22
0011	CM 81453139	PUMP BRACKET
0015	620433 02	WATER PUMP 230/50
0015	620433 05	WATER PUMP
0019	CM 19612502	T FITTING
0022	CM 25790880	WATER TUBE
0024	CM 25570410	PLATE
0025	CM 25570411	PLATE
0027	CM 81453124	EVAPORATOR ASSY
0027	CM 81453229	EVAPORATOR
0039	CM 25474608	METAL CLIP
0041	CM 81453009	WATER DISTR. TUBE
0042	CM 25725450	SENSOR SYST. BRKT
0045	CM 81453434	SENSOR, ICE THICKNESS
0046	CM 25726473	DEFLECTOR BRACKET
0049	CM 81453131	DEFLECTOR
0050	CM 25560133	PIVOT
0052	CM 25725454	BRACKET
0055	CM 25474578	MICRO SWITCH
0062	CM 33580043	WIDE RANGE P.C.BOARD
0066	CM 25725456	BRACKET
0071	CM 33489251	TERMINAL BLOCK
0073	630119 00	CONTACTOR

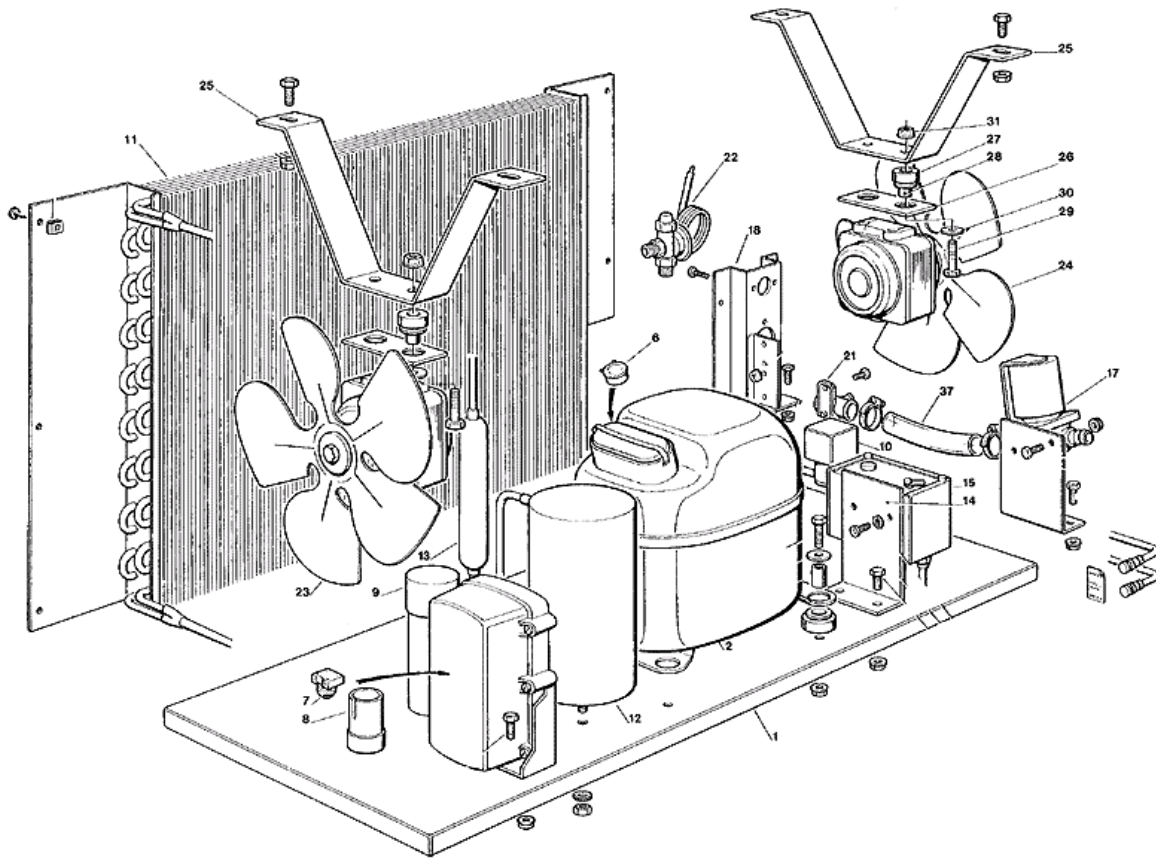




Scotsman[®] - ICE MAKING SYSTEM AND CONTROL BOX (from S.N. 7648)

POSITION	CODE	DESCRIPTION
0001	CM 81453116	WATER RESERVOIR
0005	CM 25730503	DRAIN PLUG
0006	CM 41020448	GASKET
0007	02002217 02	VALVE ASSY/22
0011	CM 81453139	PUMP BRACKET
0015	620433 02	WATER PUMP 230/50
0015	620433 05	WATER PUMP
0019	CM 19612502	T FITTING
0022	CM 25790880	WATER TUBE
0024	CM 25570410	PLATE
0025	CM 25570411	PLATE
0027	CM 81453124	EVAPORATOR ASSY
0027	CM 81453229	EVAPORATOR
0039	CM 25474608	METAL CLIP
0041	CM 81453009	WATER DISTR. TUBE
0042	CM 25725450	SENSOR SYST. BRKT
0045	CM 81453434	SENSOR, ICE THICKNESS
0046	CM 25726473	DEFLECTOR BRACKET
0049	CM 81453131	DEFLECTOR
0050	CM 25560133	PIVOT
0062	CM 33580100	P.C. BOARD ASSY 230 V
0073	630119 00	CONTACTOR

4 - CONDENSING UNIT AIR COOLED

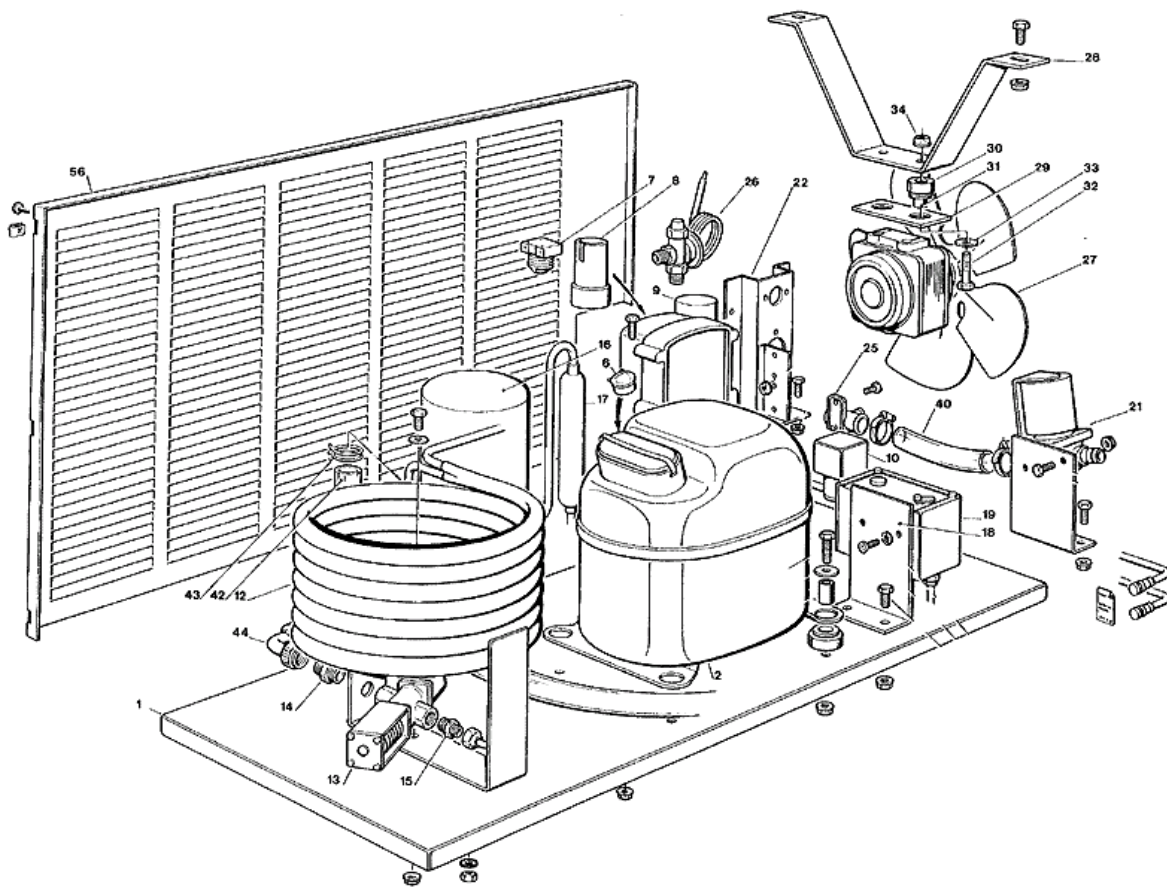




4 - CONDENSING UNIT AIR COOLED

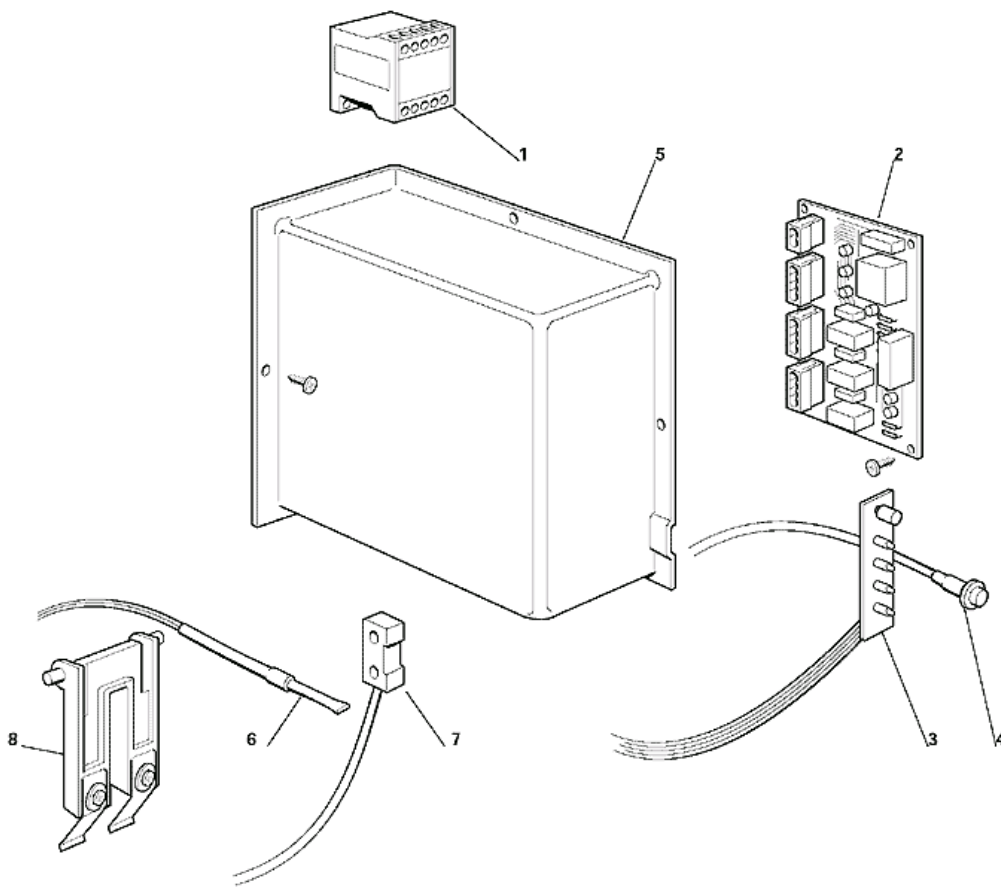
POSITION	CODE	DESCRIPTION
0000	CM 19550607	PRESSURE CTL
0000	CM 19550609	HI PRESSURE CONTROL
0002	CM 19165551	COMPRESSOR
0002	CM 19166032	COMPRESSOR
0007	CM 19621687	RELAY - 230/50
0008	620167 07	START CAPACITOR 230/50
0009	620171 01	RUN CAP. CAH4525 220/50
0010	CM 19863034	HOT GAS VALVE ASSY - 230/50-60
0011	CM 19177508	CONDENSER
0012	CM 19635339	LIQUID RECEIVER
0014	CM 25725437	PRESSOSTAT BRACKET
0017	CM 19865525	WATER SOLENOID VALVE
0018	CM 81453014	METAL BRKT FOR CONNECTION FITTINGS
0021	CM 25690806	DRAIN FITTING
0022	CM 19870826	THERM.EXP. VALVE
0023	CM 18562058	FAN MOTOR
0024	CM 18562058	FAN MOTOR
0025	CM 25725455	BRACKET
0026	CM 25570190	PLATE
0027	CM 19031000	GROMMET
0028	CM 19060306	BUSHING
0029	CM 12792099	SCREW
0030	CM 12523050	WASHER
0031	CM 12292102	NUT
0037	CM 25790826	DRAIN TUBE

5 - CONDENSING UNIT WATER COOLED



5 - CONDENSING UNIT WATER COOLED

POSITION	CODE	DESCRIPTION
0002	CM 19165551	COMPRESSOR
0002	CM 19166032	COMPRESSOR
0007	CM 19621687	RELAY - 230/50
0008	620167 07	START CAPACITOR 230/50
0009	620171 01	RUN CAP. CAH4525 220/50
0010	CM 19863034	HOT GAS VALVE ASSY - 230/50-60
0012	CM 81453098	CONDENSER
0013	620111 00	WATER REGUL. VALVE
0014	CM 25631013	WATER INLET VALVE
0015	CM 19320310	FITTING
0016	CM 19635339	LIQUID RECEIVER
0018	CM 25725437	PRESSOSTAT BRACKET
0019	CM 19550606	PRESSURE CTL
0021	CM 19865525	WATER SOLENOID VALVE
0022	CM 81453014	METAL BRKT FOR CONNECTION FITTINGS
0025	CM 25690806	DRAIN FITTING
0026	CM 19870826	THERM.EXP. VALVE
0027	CM 18562498	FAN MOTOR ASSY
0028	CM 25725455	BRACKET
0029	CM 25570190	PLATE
0030	CM 19031000	GROMMET
0031	CM 19060306	BUSHING
0032	CM 12792099	SCREW
0033	CM 12523050	WASHER
0034	CM 12292102	NUT
0040	CM 25790855	DRAIN TUBE
0042	CM 25790897	DRAIN TUBE
0043	CM 19281332	CLAMP
0044	CM 81453099	WATER TUBE
0056	CM 25550060	REAR PANEL





6 - P.C. BOARD AND SENSORS ASSY (from S.N. 7648)

POSITION	CODE	DESCRIPTION
0001	630119 00	CONTACTOR
0002	CM 33580100	P.C. BOARD ASSY 230 V
0003	CM 33580024	MONITORING LED ASSY
0004	CM 33470506	WARNING LIGHT
0005	CM 25161115	COVER
0006	CM 33580101	CONDENSER SENSOR
0007	CM 19355004	MAGNET
0008	CM 81453434	SENSOR, ICE THICKNESS