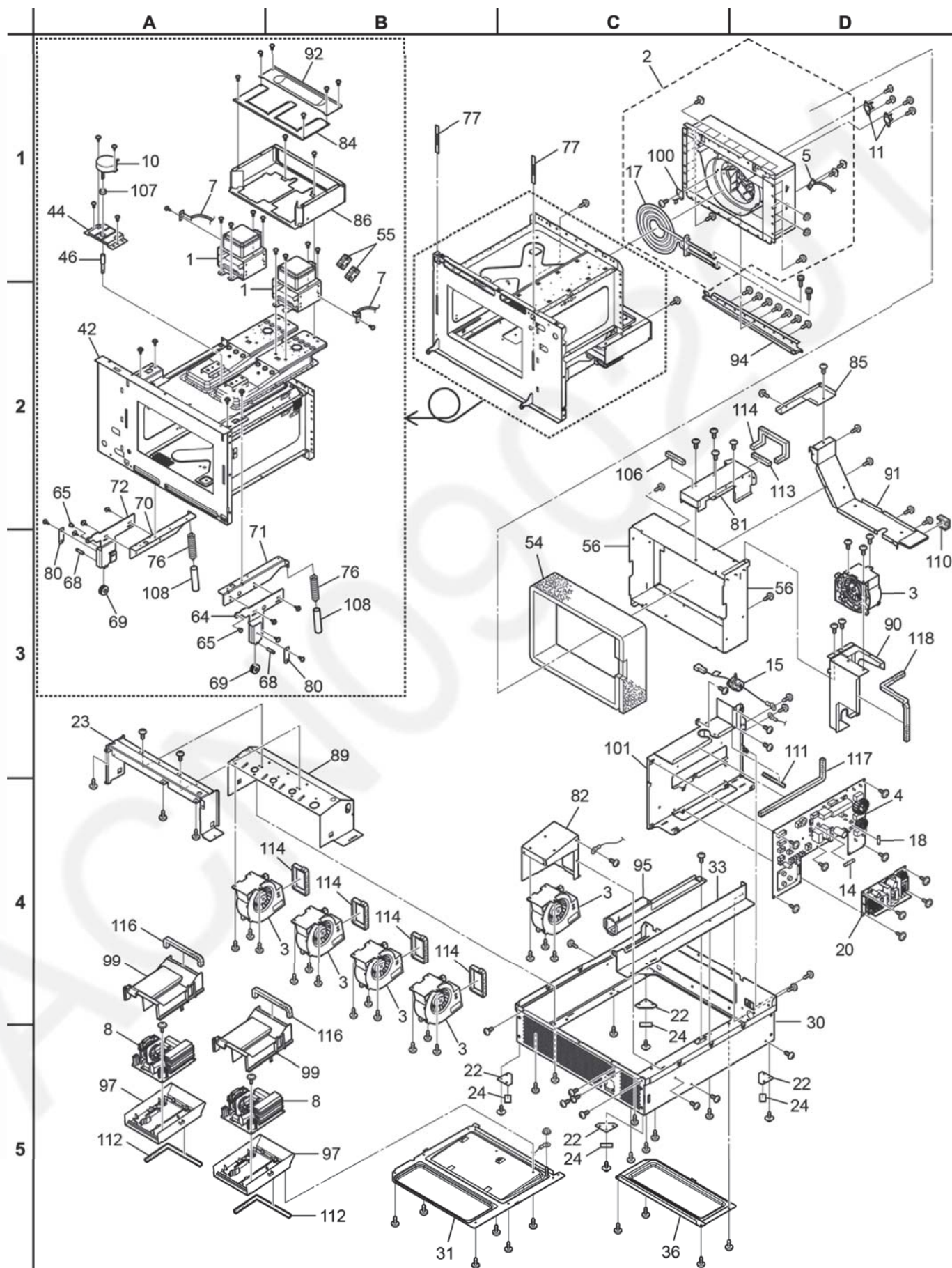
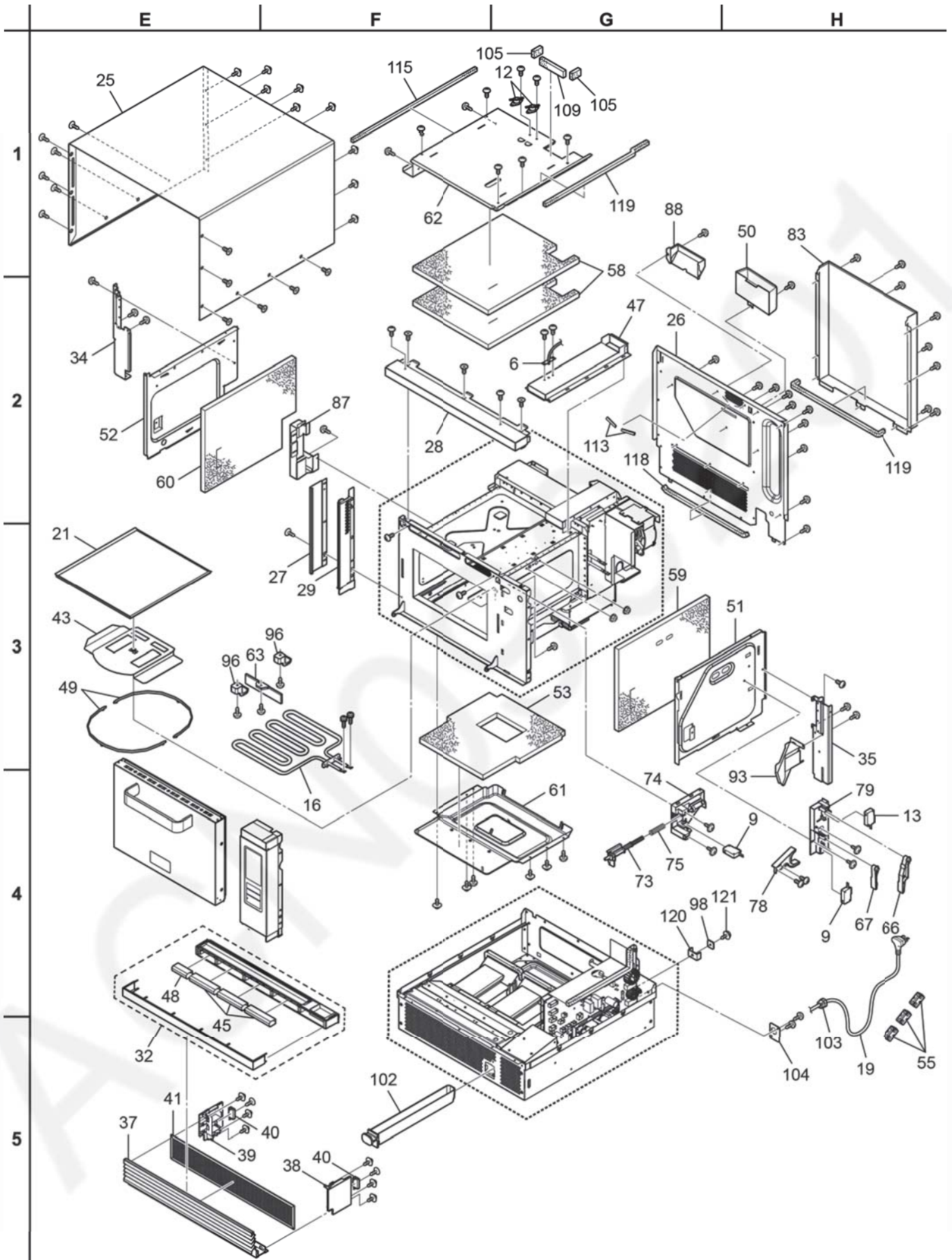


# 16 Exploded View and Replacement Parts List

## 16.1. Exploded view and parts list





## PARTS LIST

NOTE 1: When ordering replacement part(s), please use part number(s) shown in this parts list.

Do not use description of the part.

2: Important safety notice:

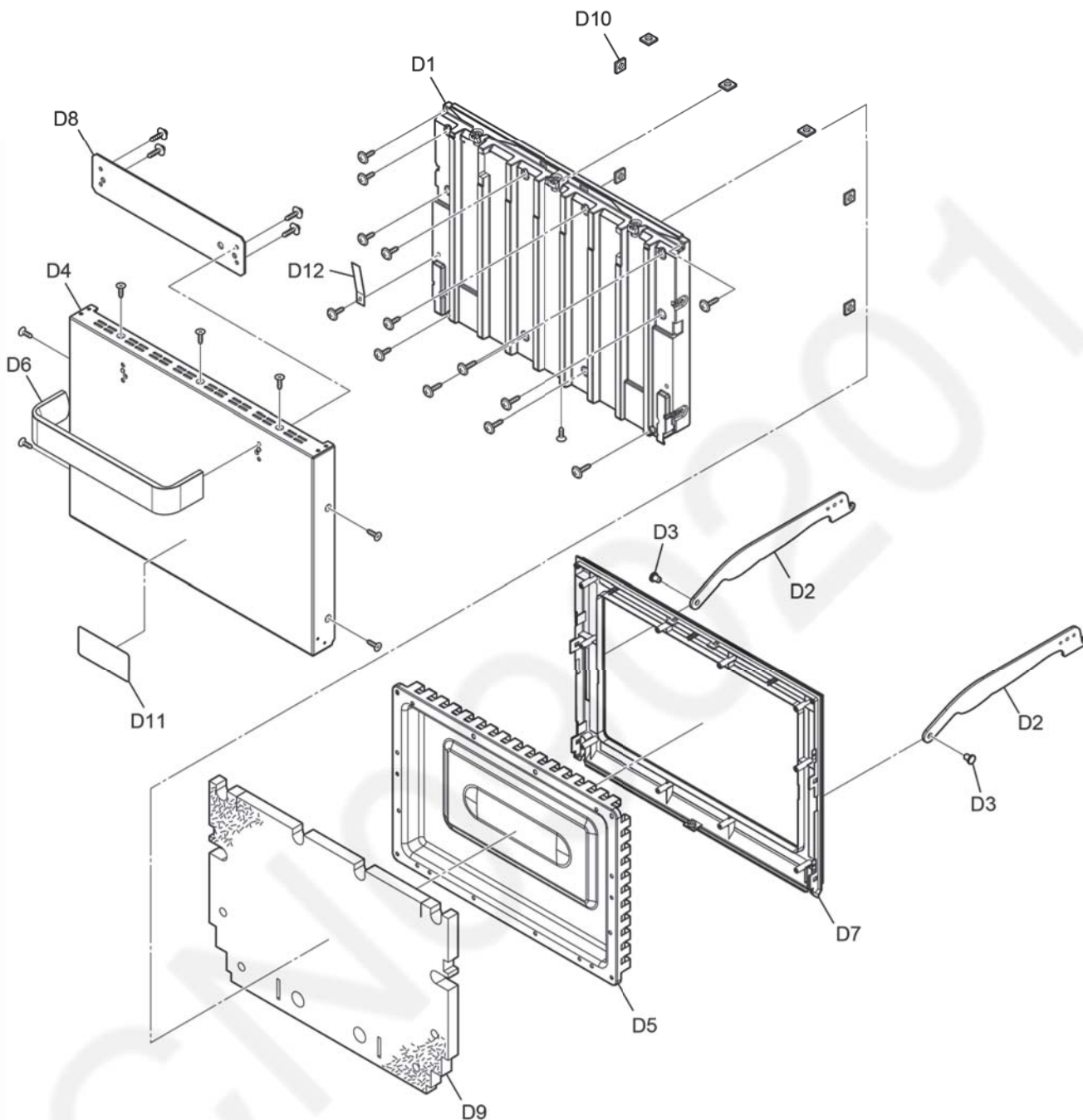
Components identified by  $\triangle$  mark have special characteristics important for safety.

When replacing any of these components, use only manufacturer's specified parts.

Safety	Ref. No.	Part No.	Part Name & Description	Pcs/set	Remarks
	1	2M261-M32J1Y	MAGNETRON	2	
	2	A203M3G60WT	CIRCULATION FAN CASE (U)	1	
$\triangle$	3	A400A-3G60	MOTOR, DC, 18W	6	DC, 18W
$\triangle$	4	A603L3G60WT	PCB W/COMPONENTS	1	
	5	A605A-3G60	TEMP.THERMISTER	1	
	6	A605Y-3G90	TEMP.THERMISTER	1	
	7	A606B-3G60	TEMP.THERMISTER	1	
$\triangle$	8	A606Y3G70AP	H.V.INVERTER	2	
$\triangle$	9	A61424T00AP	MICRO SWITCH, (V-16G-3C26-M)	1	(V-16G-3C26-M)
$\triangle$	10	A6144-1T60	MOTOR, AC, 3W	1	AC, 3 W
$\triangle$	11	A6145-1E30	THERMAL CUTOOUT 180°C	2	180°C
$\triangle$	12	A61458020BP	THERMAL CUTOOUT 180°C	2	180°C
	13	ANE61784L0AG	MICRO SWITCH, (V-16G-2C25)	1	(V-16G-2C25)
	14	ANE6230G90BN	FUSE 20A	1	20A
	15	A621A-3G60	FILTER COIL	1	
	16	A64133G60WT	SHEATH HEATER A	1	
	17	A64143G60WT	SHEATH HEATER B	1	
	18	A6595-3G60	FUSE B, 2A	1	2A
	19	A900C3G60WT	CORD W/PLUG	1	
	20	N0AE1GJ00030	PCB, POWER SUPPLY	1	
	21	A010T-3G60	SHELF	1	
	22	A1007-3280	FOOT	4	
	23	A1007-3G60	FOOT A	1	
	24	A1008-3280	RUBBER FOOT	4	
	25	A1009-3G60	CABINET	1	
	26	A100Q3G60WT	BACK PLATE	1	
	27	A1013-3G60	SASH, LEFT	1	LEFT
	28	A1015-3G60	SASH UPPER	1	UPPER
	29	A1018-3G60	SASH BRACKET	1	
	30	A101S-3G60	BOTTOM PLATE U	1	
	31	A1028-3G60	COVER	1	
	32	A102E-3G60	SASH, BOTTOM	1	BOTTOM
	33	A1040-3G60	REINFORCING PLATE	1	
	34	A1148-3G60	BRACKET, OVEN	1	
	35	A1149-3G60	BRACKET, OVEN	1	
	36	A1154-3G60	COVER	1	
	37	A1600-3G60	COVER, FRONT, AL	1	FRONT
	38	A1601-3G61	COVER, RIGHT	1	RIGHT
	39	A1602-3G61	COVER, LEFT	1	LEFT
	40	A1607-3G60S	BRACKET, COVER	2	
	41	A1615-3G60	MESH FILTOR	1	
	42	A200A-3G60	OVEN U	1	
	43	A202K-3G60	ANTENNA U	1	
	44	A2027-3G60	BRACKET, MOTOR	1	
	45	A2040-3G60	REFLECTOR	3	
	46	A2080-3G60	ANTENNA SHAFT	1	
	47	A2088-3G60	EXHAUST GUIDE	1	
	48	A2101-3G60	REFLECTOR, B	1	
	49	A2133-3G60	SPACER	2	
	50	A48843G60WT	TRAY	1	
	51	A2236-3G60	HEATER PANEL (RIGHT)	1	RIGHT
	52	A2237-3G60	HEATER PANEL (LEFT)	1	LEFT
	53	A2242-3G60	ADIABATIC MATERIAL A	1	
	54	A2243-3G60	ADIABATIC MATERIAL B	1	
	55	A0KF00000071	EMC FILTER	5	
	56	A2256-3G60	HEATER PANEL E	2	
	58	A2259-3G60	ADIABATIC MATERIAL D	2	
	59	A2260-3G60	ADIABATIC MATERIAL E	1	
	60	A2261-3G60	ADIABATIC MATERIAL F	1	
	61	A2277-3G60	HEATER PANEL (BOTTOM)	1	BOTTOM
	62	A2278-3G60	HEATER PANEL (UPPER)	1	UPPER

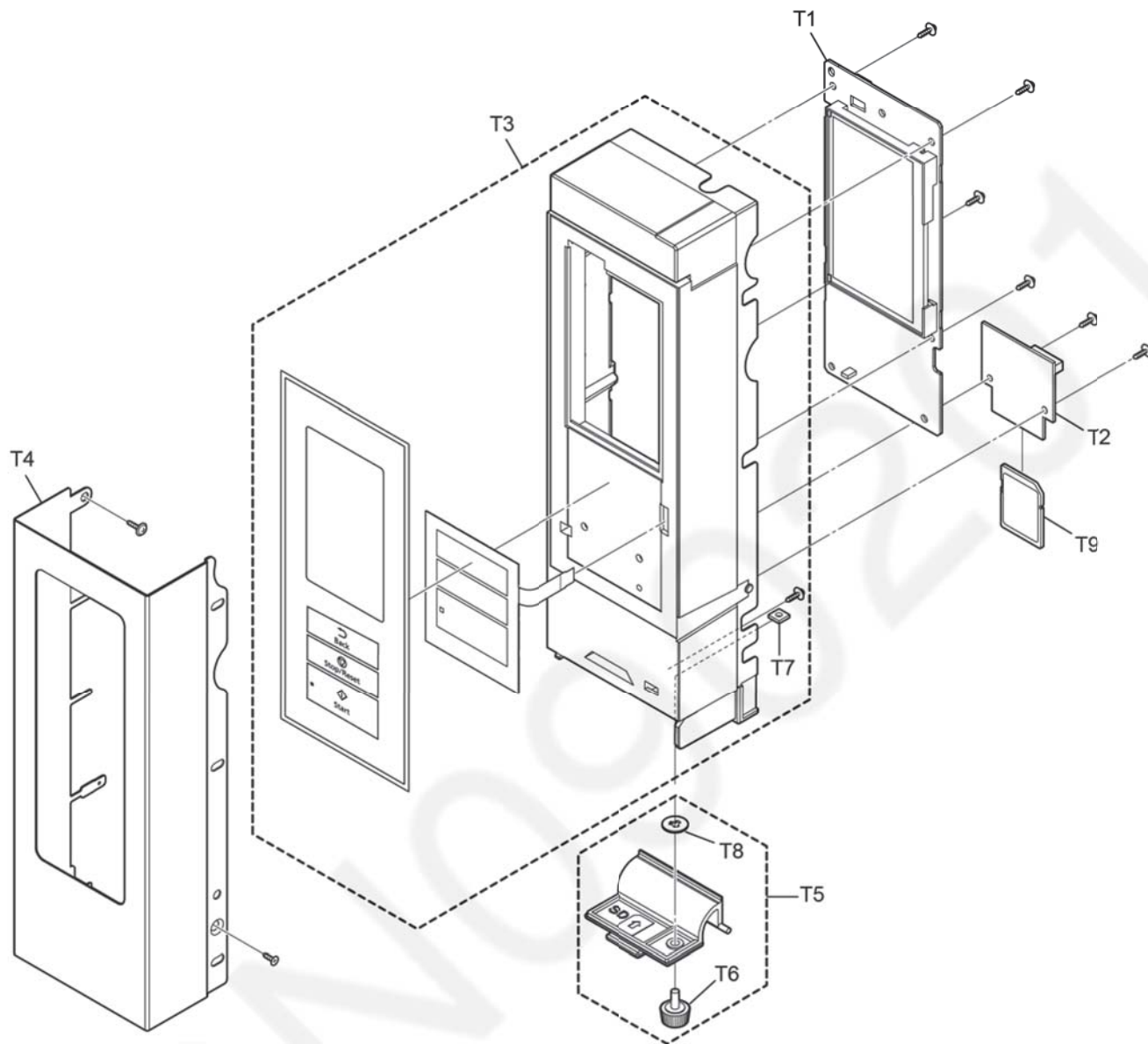
Safety	Ref. No.	Part No.	Part Name & Description	Pcs/set	Remarks
	63	A2288-3G60	HOT AIR GUIDE E	1	
	64	A3007-3G60	HINGE B	1	
	65	A3008-3G60	HINGE PIN	2	
	66	A3020-3G60	DOOR HOOK A	1	
	67	A3030-3G60	DOOR HOOK B	1	
	68	ANE3033-560	DOOR GUIDE ROLLER PIN	2	
	69	ANE3034-560	DOOR GUIDE ROLLER	2	
	70	A3060-3G60	SPACER B, DOOR HINGE	1	
	71	A3081-3G60	SPACER, DOOR HINGE	1	
	72	A3092-3G60	HINGE C	1	
	73	A3102-3G60	LEVER, LATCH SWITCH	1	
	74	A3103-3G60	BRACKET, LATCH SW	1	
	75	ANE3155-610	SPRING	1	
	76	A3230-3G60	SPRING B	2	
	77	A3252-3G60	SPACER, DOOR ARM	2	
	78	A3264-3G60	SPACER B, DOOR ARM	1	
	79	A3291-3G60	BRACKET, LATCH SW	1	
	80	A3379-3G60	BRACKET, GUIDE ROLER	2	
	81	A400K-3G60	EXHAUST GUIDE U	1	
	82	A4021-3G60	COVER, FAN CASE	1	
	83	A4024-3G60	EXHAUST GUIDE A	1	
	84	A4026-3G60	AIR GUIDE B	1	
	85	A4030-3G60	AIR GUIDE D	1	
	86	A4031-3G60	AIR GUIDE C	1	
	87	A4047-3G60	AIR GUIDE E	1	
	88	A41073980AP	EXHAUST GUIDE B	1	
	89	A4118-3G60	AIR GUIDE	1	
	90	A4209-3G60	AIR GUIDE G	1	
	91	A4211-3G60	AIR GUIDE H	1	
	92	A4287-3G60	AIR GUIDE P	1	
	93	A4880-3G60	DRAIN PLATE	1	
	94	A4881-3G60	DRAIN PLATE B	1	
	95	A4885-3G60	BRACKET WATER SEALING	1	
	96	A6418-3G60	HEATER SUPPORT	2	
	97	A6585-3G60	BRACKET, INV, PCB	2	
	98	A66623170GP	WASHER	1	
	99	A6720-3G60	COVER, INVERTER PCB	2	
	100	A6785-3G60	HEATER SUPPORT	1	
	101	A6793-3G60	BRACKET, PCB	1	
	102	A8023-3G60	OIL TRAY	1	
	103	ANE9027510RN	CORD BUSHING	1	
	104	ANE9035P90AP	CORD BRACKET	1	
	105	A0920-3G60	CUSHION RUBBER	2	
	106	A0937-3G60	CUSHION RUBBER	1	
	107	A0938-3G60	TUBE	1	
	108	A0941-3G60	TUBE	2	
	109	A0984-3G60	CUSHION RUBBER	1	
	110	ANE0902000DB	CUSHION RUBBER A	1	
	111	ANE0901000CD	CUSHION RUBBER A	1	
	112	ANE0961000AM	CUSHION RUBBER D	2	
	113	ANE0962000AE	CUSHION RUBBER D	3	
	114	ANE0962000AN	CUSHION RUBBER	5	
	115	ANE0962000AW	CUSHION RUBBER D	1	
	116	ANE0963000AK	CUSHION RUBBER D	2	
	117	ANE0963000AQ	CUSHION RUBBER D	1	
	118	ANE0963000AR	CUSHION RUBBER D	2	
	119	ANE0963000AU	CUSHION RUBBER D	2	
	120	XWNAME65GV	BRACKET EARTH	1	
	121	XYE6+F20FJ	SCREW	1	

DOOR ASSEMBLY



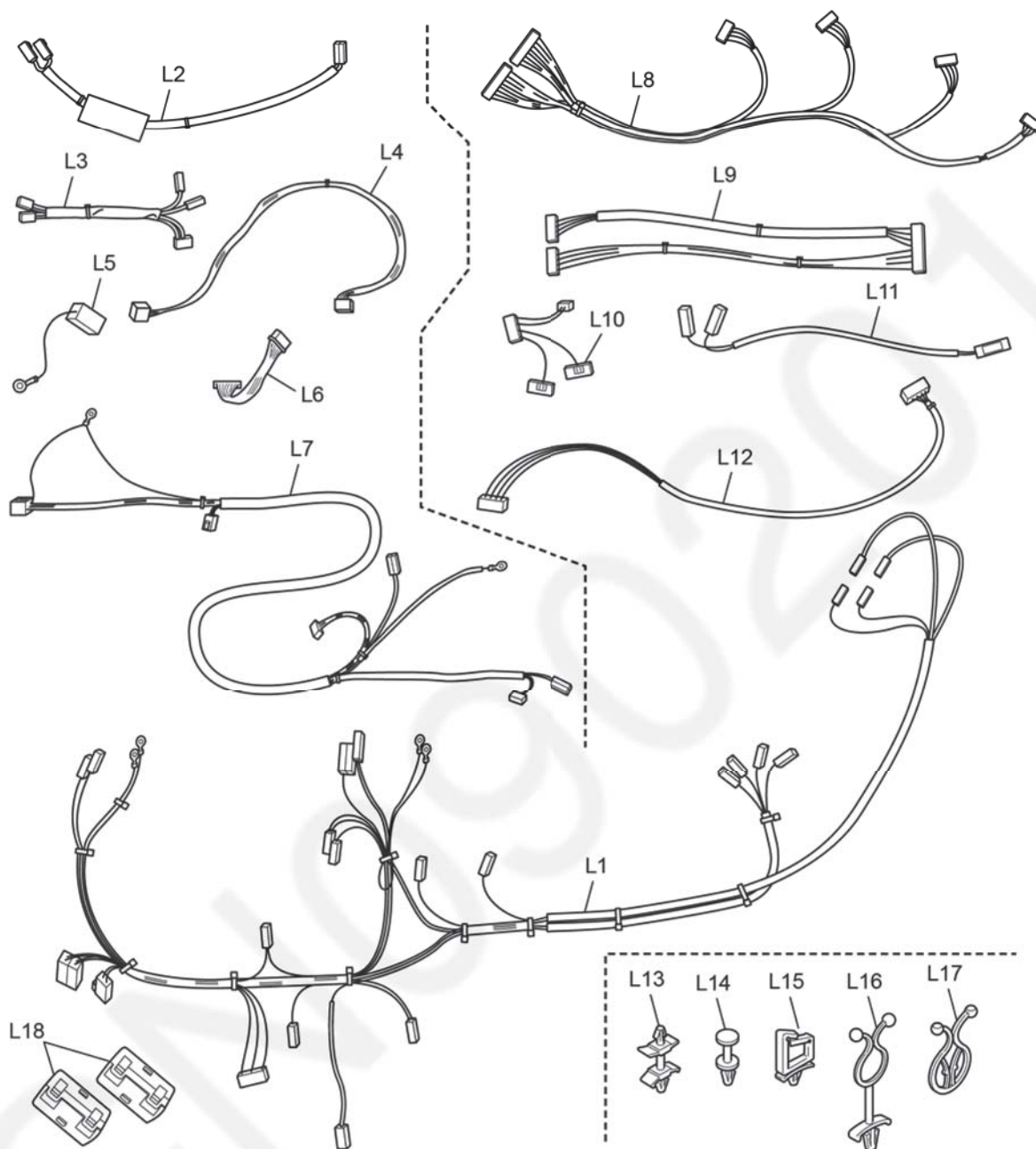
Safety	Ref. No.	Part No.	Part Name & Description	Pcs/set	Remarks
	D1	A3001-3G60	DOOR A	1	
	D2	A3004-3G60	DOOR ARM	2	
	D3	A3008-3G60	HINGE PIN	2	
	D4	A300A-3G60	DOOR BU	1	
	D5	A301Q-3G60	DOOR E U	1	
	D6	A3070-3G60	HANDLE PIECE	1	
	D7	A3085-3G60	DOOR C	1	
	D8	A3181-3G60	BRACKET, HANDLE	1	
	D9	A2385-3G60	ADIABATIC MATERIAL H	1	
	D10	A4892-3G60	NUT	7	
	D11	A3186-3G60	DOOR PANEL	1	
	D12	A90093G60WT	TAB	1	

ESCUTCHEON BASE ASSEMBLY



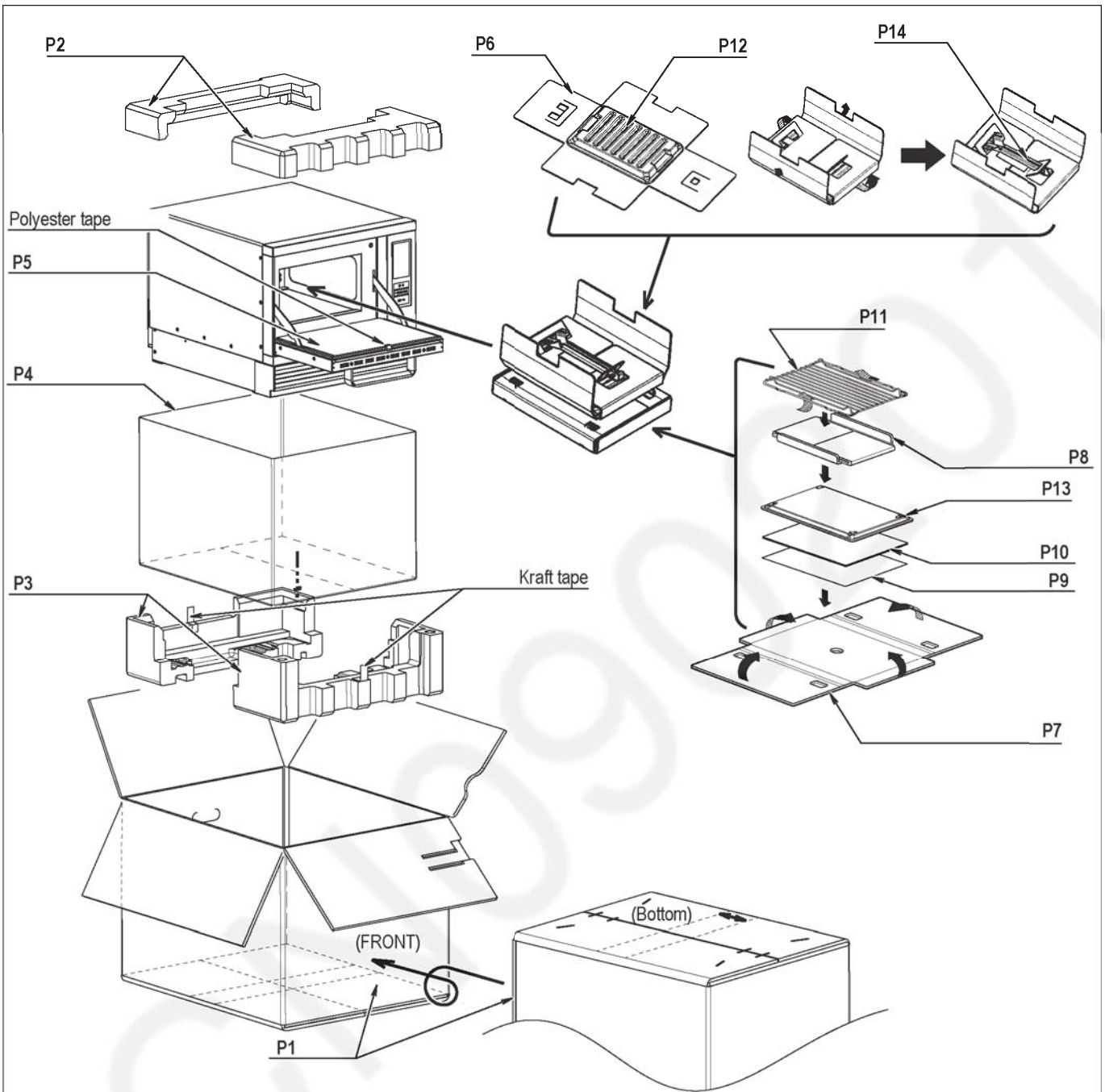
Safety	Ref.No.	Part No.	Part Name & Description	Pcs/set	Remarks
	T1	A605Q3G60WT	DISPLAY BOARD	1	
	T2	A608T-3G60	PCB, SD SLOT	1	
	T3	A800L3G60WT	OPERATION PANEL U	1	
	T4	A8058-3G60	ESCUTCHEON	1	
	T5	A8030-3G60	COVER, SD	1	
	T6	A4091-3G60	SCREW, M4	1	M4
	T7	A4892-3G60	NUT M4	7	M4
	T8	A6408-3280	WASHER	1	
	T9	RPSDFC51CS14	MEMORY CARD	1	

WIRING MATERIAL

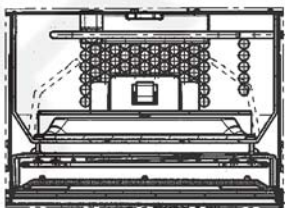


Safety	Ref.No.	Part No.	Part Name & Description	Pcs/set	Remarks
⚠	L1	A030A-3G60	LEAD WIRE HARNESS AU	1	
⚠	L2	A030E3G60WT	LEAD WIRE U	2	With EMC Filter
⚠	L3	A030F-3G60	LEAD WIRE HARNESS BU	1	
⚠	L4	A030H-3G60	LEAD WIRE HARNESS CU	1	
	L5	A0305-3G60	LEAD WIRE A	1	
	L6	A031F-3G60	LEAD WIRE HARNESS DU	1	
	L7	A031H-3G60	LEAD WIRE HARNESS FU	1	
	L8	A031K-3G60	LEAD WIRE HARNESS GU	1	
	L9	A031L-3G60	LEAD WIRE HARNESS HU	1	
	L10	A031M-3G60	LEAD WIRE HARNESS IU	1	
	L11	A031N-3G60	LEAD WIRE HARNESS JU	1	
	L12	A031P-3G60	LEAD WIRE HARNESS KU	1	
	L13	A6544-3G60	SPACER A	6	
	L14	A6545-3G60	SPACER B	2	
	L15	ANE9108X70AP	LEAD WIRE HOLDER K	1	
	L16	ANE9072-400	LEAD WIRE HOLDER C	1	
	L17	ANE9073-900	LEAD WIRE HOLDER D	6	
	L18	A0KF00000071	EMC FILTER	2	

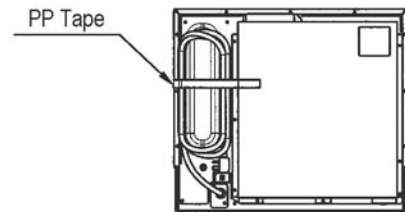
PACKING AND ACCESSORIES



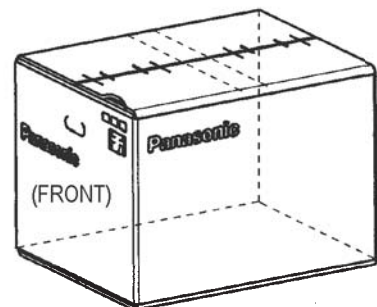
Inside of oven cavity



Fixing method for cable



Complete packaging view





Safety	Ref.No.	Part No.	Part Name & Description	Pcs/set	Remarks
	P1	A01023G60WT	PACKING CASE PAPER	1	
	P2	A0104-3G60	UPPER FILLER	1	
	P3	A0105-3G60	LOWER FILLER	1	
	P4	A01063040AP	VINYL COVER	1	
	P5	A0107-3G60	DOOR SHEET	1	
	P6	A01083G60WT	TRAY PACKING	1	
	P7	A0117-3G60	TRAY PACKING B	1	
	P8	A0227-3G90	TRAY PACKING	1	
	P9	A04203G60WT	OPERATION GUIDE SHEET	1	
▲	P10	A05063G60WT	INSTRUCTION BOOK	1	
	P11	A0602-3G60	BAKING RACK	1	
	P12	A4606-3G60	GRILL TRAY	1	
	P13	A4542-3G60	TRAY	1	
	P14	A06043G60WT	HOLDER	1	

Safety	Ref.No.	Part No.	Part Name & Description	Pcs/set	Remarks
▲		A0005-2601	EARTH LABEL	1	
▲		A02673G60WT	SERVICE NOTICE	1	
		A00063312WN	CAUTION LABEL	1	
▲		A05363G60WT	NAME PLATE	1	

Safety	Ref.No.	Part No.	Part Name & Description	Pcs/set	Remarks
		XTW3+6BJ	SCREW	8	3x6
		XTNA3+10GJ	SCREW	2	3x10
		XTW3+10BJ	SCREW	20	3x10
		XTW3+10QJ	SCREW	15	3x10
		XTW3+16QJ	SCREW	2	3x16
		XTS3+8FXR	SCREW	2	3x8
		XTWANE3+8EX	SCREW	2	3x8
		XYNA35+C7US	SCREW	4	3.5x7
		XST4+6FN	SCREW	24	4x6
		XTT4+8RDN	SCREW	118	4x8
		XTTANE4+8SX	SCREW	15	4x8
		XTW4+8TJ	SCREW	2	4x8
		XTWA4+8SJ	SCREW	12	4x8
		XTWANE4+8BN	SCREW	2	4x8
		XYF4+AF8J	SCREW	4	4x10
		XSS4+10UM	SCREW	7	4x10
		XTC4+10BC	SCREW	12	4x10
		XTS4+10JJ	SCREW	6	4x10
		XTTANE4+12BN	SCREW	49	4x12
		XTTANE4+12SX	SCREW	3	4x12
		XTW4+12TJ	SCREW	4	4x12
		XTWANE4+12DN	SCREW	9	4x12
		XYD4+EE12FJ	SCREW	3	4x12
		XTW4+16QJ	SCREW	4	4x16
		XYN4+F18SJ	SCREW	4	4x18
		XNW4EFN	NUT	5	M4
		XTWANE4+10BN	SCREW	2	4x10