

NEO[®] 240 Undercounter Ice Machines

NEO[®] 240 Undercounter Ice Machines

Models

- UDF-0240A UYF-0240A
- UDF-0240W UYF-0240W



U-240

- Power
- Delay
- Clean
- Full Bin
- Service

- Up to 220 lbs (100 kg) of daily ice production
 - Only 26" (66.04 cm) wide, 28.50" (72.4 cm) deep, and 38.50" (97.8 cm) high on 6" (15.24 cm) legs
 - Cabinet volume 3.037 ft³ (0.086 m³)
 - 90 lb. (40.0 Kg) ice storage capacity*
- * Application capacity based on: 90% volume x 33lbs/ft³ average density of ice.

NEO undercounter ice machines are designed to provide ice right where you need it – within reach. Improvements in **Performance**, **Intelligence** and **Convenience** make your ice machine easy to own and less expensive to operate.

Performance – NEO produces more ice than ever before while using less water and energy. The storage bin provides industry leading capacity.

Intelligence – NEO provides feedback with full bin and service indicators. Delay function allows you to pause your machine for slow periods or days when you're closed.

Convenience – NEO offers a forward-sliding storage bin for easy access to refrigeration components without having to move the entire ice machine. Smooth, sealed food-zone with removable water trough, distribution tube, and damper door for faster cleaning. AlphaSan added to key internal components.

Available **LuminIce[®] Growth Inhibitor** extends cleaning intervals by reducing yeast and bacteria growth keeping your ice machine cleaner, longer.

Specifications

- | | |
|--|---|
| <p>BTU Per Hour: 2,700 (average) 3,300 (peak)</p> <p>Compressor: Nominal rating: .33 HP</p> <p>Cupra-Nickel Condenser: (Water-cooled models) Adds protection from corrosive water elements.</p> <p>Refrigerant: R-404A</p> | <p>Operating Limits:</p> <ul style="list-style-type: none"> • Ambient Temperature Range: 40° to 110° F (4.4° to 43.3° C) • Water Temperature Range: 45° to 90° F (4.4° to 32.2° C) • Water Pressure Ice Maker Water In: Min. 20 psi (137.9 kPa) Max. 80 psi (551.1 kPa) • Condenser Inlet Water In: (Water-cooled only) Min. 20 psi (137.9 kPa) Max. 150 psi (1,034.2 kPa) |
|--|---|

Ice Shape



Half Dice
3/8" x 1 1/8" x 7/8"
(.95 x 2.86 x 2.22 cm)



Dice
7/8" x 7/8" x 7/8"
(2.22 x 2.22 x 2.22 cm)



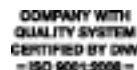
Regular
1 1/8" x 1 1/8" x 7/8"
(2.86 x 2.86 x 2.22 cm)

Ice Machine Electric

Power Cord:
115/60/1 ice machines are factory pre-wired with a 6' (180 cm) power cord and NEMA 5-15P-plug configuration. 208-230/60/1 ice machines are factory pre-wired with a 6' (180 cm) power cord only, no plug is supplied.

Total Amps:
115/60/1 Air-cooled and Water-cooled: 7 amps
208-230/1/60 Air-cooled and Water-cooled: 3.5 amps

Maximum fuse size:
Air-cooled and Water-cooled: 15 amps
HACR-type circuit breakers can be used in place of fuses.



<http://www.jeoushun.com/>
jeoushun@yahoo.com.tw
 TEL:0800-225222
 CEL:0800-225222
 FAX:0800 025555

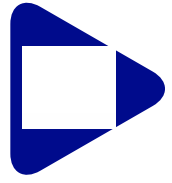


www.manitowocice.com

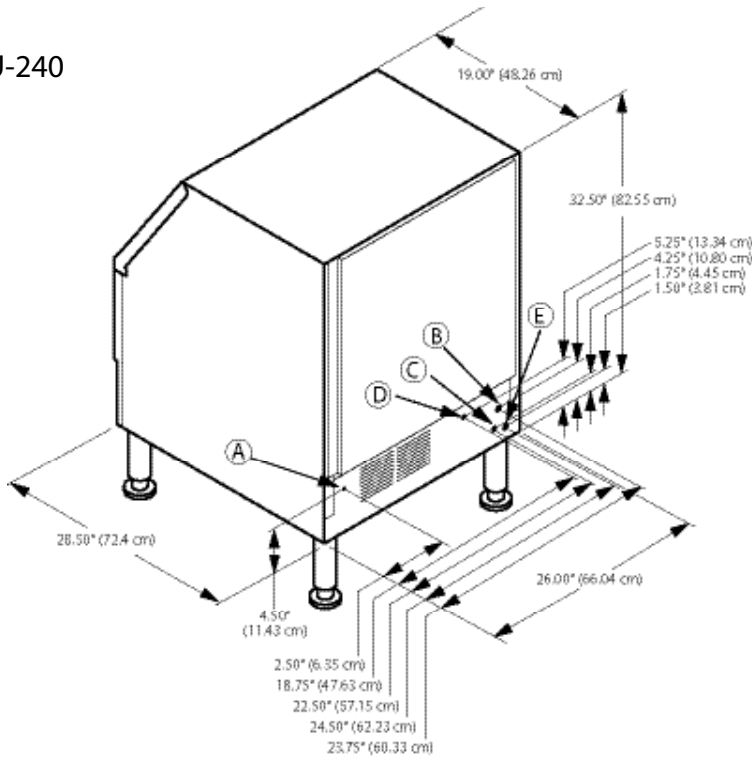
加入好友 ID:@J0800

<https://line.me/R/ti/p/@j0800>





U-240



Installation Note Recommended clearance for top, sides, back is 5" (12.7 cm) however, there is no minimum clearance required.

- (A) Electrical Entrance
- (B) 3/8" (0.95 cm) F.P.T. Ice Making Water Inlet
- (C) 1/2" (1.27 cm) F.P.T. Minimum Water Condenser Outlet (water-cooled units)
- (D) 3/8" (0.95 cm) F.P.T. Water Condenser Inlet (water-cooled units)
- (E) 1/2" (1.27 cm) F.P.T. Ice Bin Drain

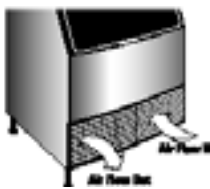
Specifications

| Model | Ice Shape | Ice Production 24 Hours | | | | Power kWh/ 100 lbs. @ 90°/70°F 32°/21°C | Potable water usage gal/100 lbs. ice @90/70°F |
|-----------|-----------|--|-------|--|-------|--|---|
| | | 70°Air/50°F Water 21°Air/10°C Water | | 90°Air/70°F Water 32°Air/21°C Water | | | |
| UDF-0240A | dice | 215 lbs | 98 kg | 160 lbs | 73 kg | 7.9 | 16 |
| UDF-0240W | dice | 197 lbs | 89 kg | 174 lbs | 79 kg | 5.9 | 16 |
| UYF-0240A | half-dice | 219 lbs | 99 kg | 160 lbs | 73 kg | 7.8 | 16 |
| UYF-0240W | half-dice | 207 lbs | 94 kg | 180 lbs | 82 kg | 5.8 | 16 |

Water-cooled Condenser Water Usage / 100 lbs./45.4 kg of Ice: 147 gal. / 556 liters

Standard 6" / 15.24 cm adjustable flange foot - gray painted legs included.
Standard plastic NEO ice scoop included.

Air Flow



Air in right, air out left, no side vents. Great for installation under countertops and next to other equipment.

Removable Bin



Air Filter



Simple, tool-free removal for quick access during routine cleaning and maintenance.

Welbilt reserves the right to make changes to the design or specifications without prior notice. ©2018 Manitowoc

<http://www.jeoushun.com/>
jeoushun@yahoo.com.tw
 TEL:0800-225222
 CEL:0800-225222
 FAX:0800 025555



www.manitowocice.com
 6500A 01/18

加入好友 ID:@J0800
<https://line.me/R/ti/p/@j0800>

