

Manitowoc Foodservice

HOW TO READ A MODEL NUMBER

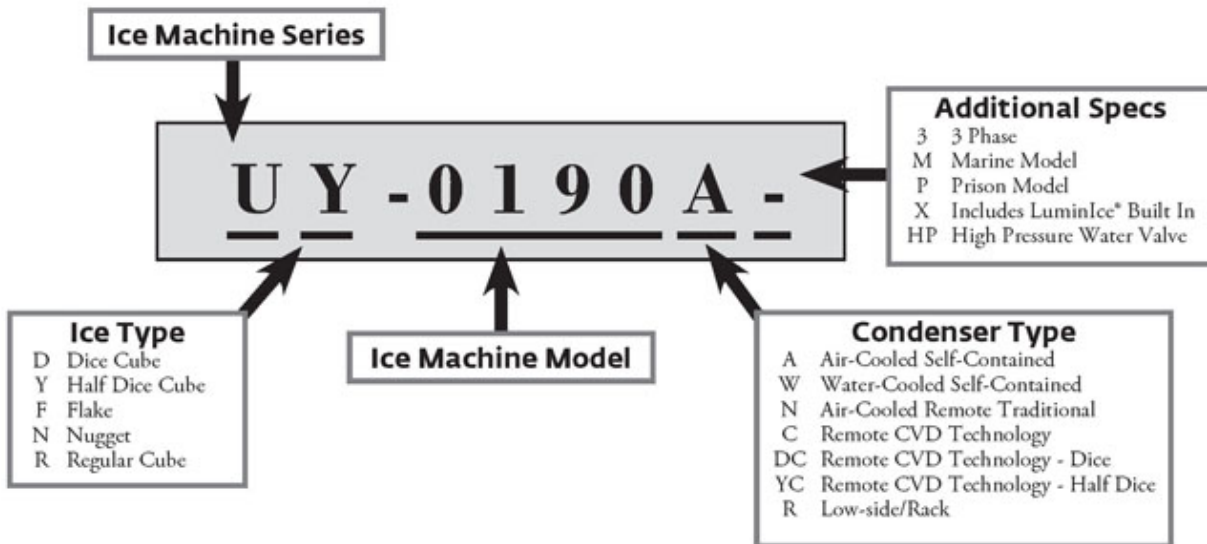


TABLE OF CONTENTS

Manitowoc Foodservice [Updated: Apr. 23, 2015]

Manitowoc - Ice & Related

Parts Catalog

Ice Machine

NEO UnderCounter Series

U0190

U0190 - Control Box Components 1

U0190 - Evaporator Compartment - Common Components 3

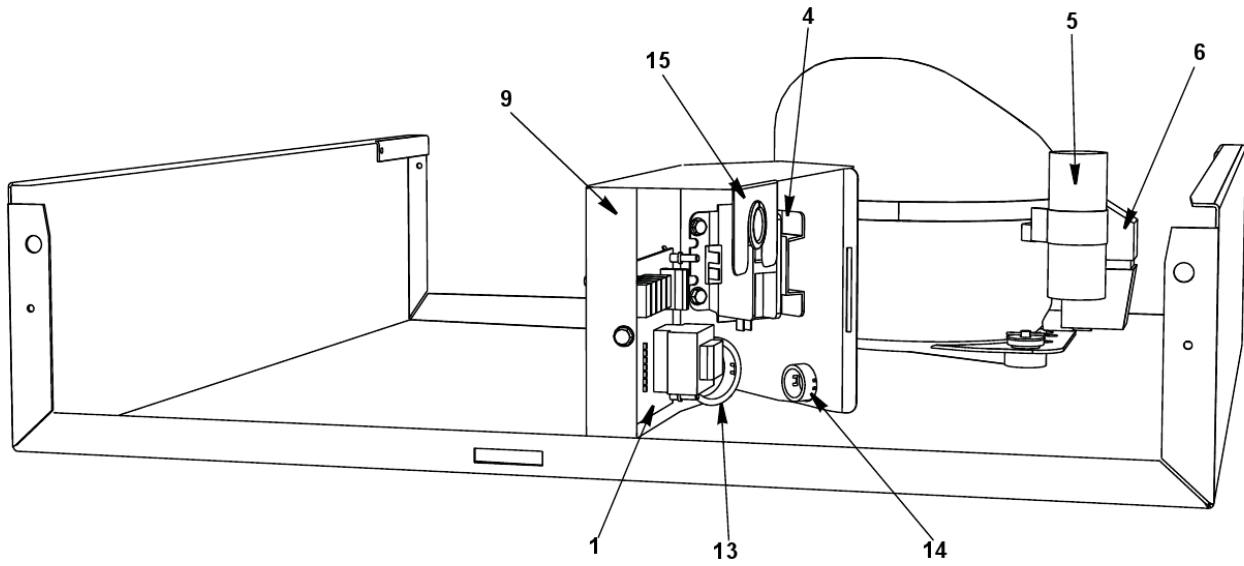
U0190 - Refrigeration Compartment - Common Components 5

U0190 - Refrigeration Compartment - Air-cooled Components 8

U0190 - Panels 10

U0190

U0190 - CONTROL BOX COMPONENTS



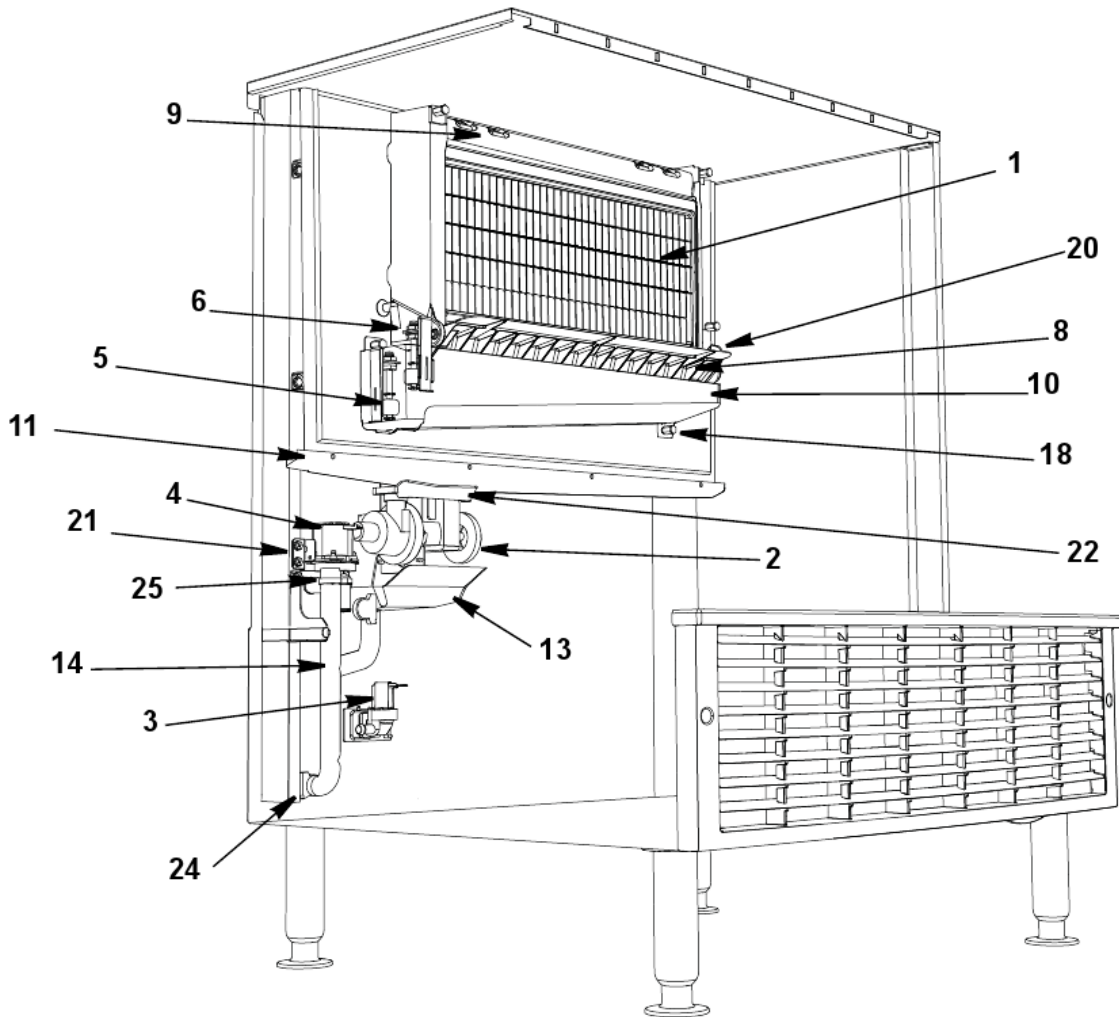
U0190

U0190 - CONTROL BOX COMPONENTS

#	PART #	DESCRIPTION	QTY	Note
1	040002007	Control Board		
2	000012211	3.5 amp Ceramic Fuse		
3		Wiring Harnesses - Control Board		
3a	040002052	Wiring Harness - Control Board to Sensors		
3b	040002053	Wiring Harness - Control Board to Touch Pad		
4		Contactors		
4a	2006569	Contactors - 115V/60 Hz/1 Ph		
4b	2006579	Contactors - 230V/50-60 Hz/1 Ph		
5		Start Capacitor		
5a	000002901	Start Capacitor - 115V/60 Hz/1 Ph		
5b	040000674	Start Capacitor		
6		Current Relay		
6a	000002899	Current Relay with Overload - 115V/60 Hz/1 Ph		
6b	000002900	Relay		
6c	8251333	Relay Cover		
7		Wiring Harness		
7a	040004016	Wiring Harness - Air-cooled		
8		Power Cord		
8a	2006863	Power Cord - 115V/60 Hz		
8b	2006749	Power Cord - 230V/50-60 Hz		
8d	2512043	Terminal Block		
9	040002028	Control Box		
10	040002029	Control Box Cover		
11	4302253	Control Board Mounting Supports		
12	5202329	Screw - #10-24 x 0.25" PHIL		
12a	5573209	Star Washer		
13	2500139	Bushing - 1.5"		
14	2501409	Bushing - 0.875"		
15	040002479	Bushing - OSB-22		

U0190

U0190 - EVAPORATOR COMPARTMENT - COMMON COMPONENTS



U0190

U0190 - EVAPORATOR COMPARTMENT - COMMON COMPONENTS

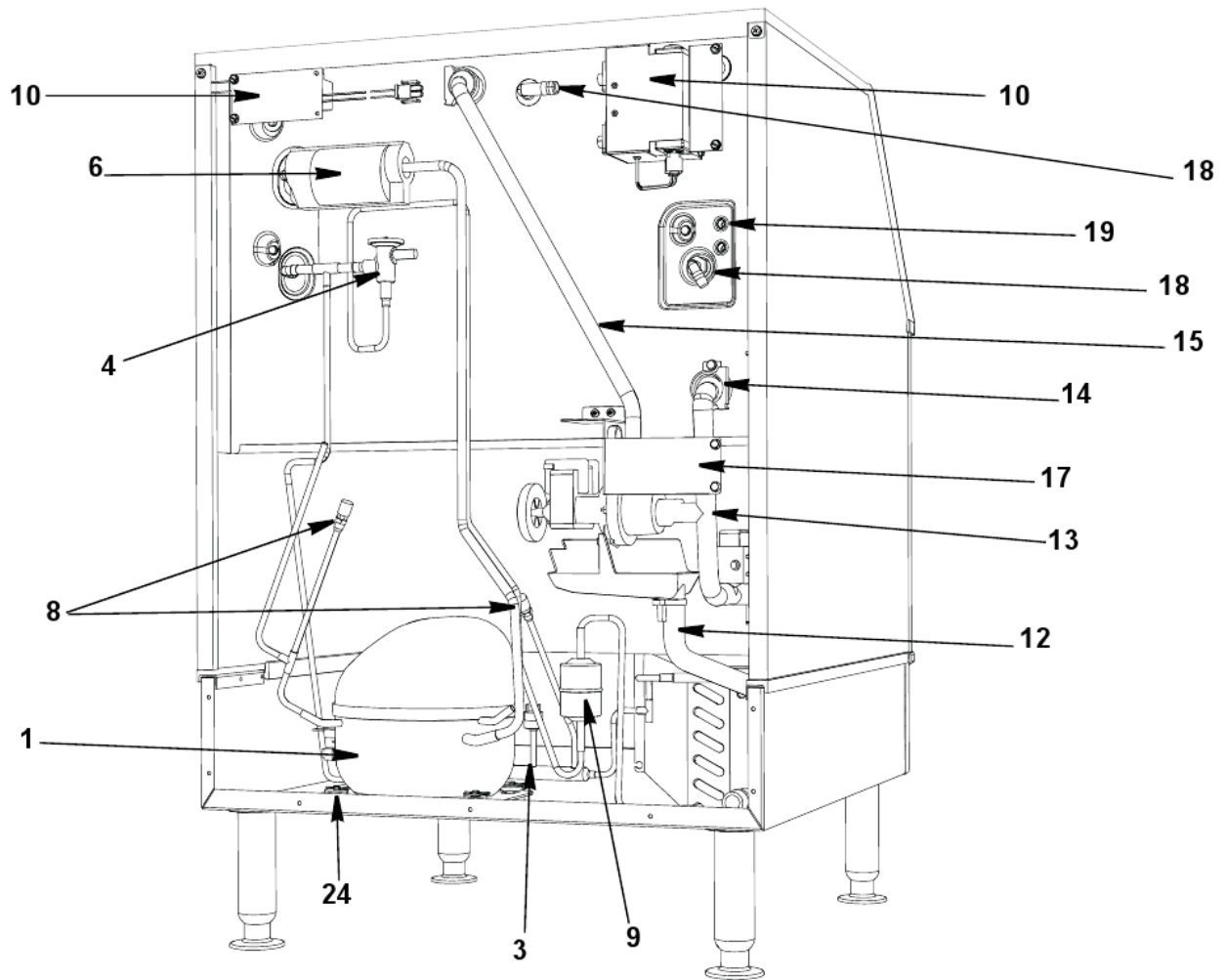
#	PART #	DESCRIPTION	QTY	Note
1		Evaporator Assembly		
1a	000011554	Evaporator - Regular Cube		
1b	000011553	Evaporator - Dice Cube		
1c	000011552	Evaporator - Half Dice Cube		
2		Water Pump		
2a	040003291	Water Pump - 115V/60 Hz		
2b	040003293	Water Pump - 208-230V/60 Hz		
2c	040003292	Water Pump - 230V/50 Hz		
2d	040002833	Water Pump Flow Restrictor		
3		Water Inlet Valve		
3a	040003579	Water Inlet Valve - 115V/60 Hz		
3b	040003580	Water Inlet Valve - 230V/50-60 Hz/1 Ph		
3c	040003385	Mylar Shield		
4		Water Dump Valve		
4a	000001767	Water Dump Valve - 115V/60 Hz		
4b	000001768	Water Dump Valve - 208-230V/50-60 Hz		
5	040002396	Harvest Float Switch		
5a	040001777	Bracket - Float Switch		
6	040001783	Ice Thickness Float Switch		
6a	040001777	Bracket - Float Switch		
7	040002393	Magnetic Bin Switch		
8	000011555	Ice Damper		
9	000009075	Water Distribution Cover		
10	040001772	Water Trough		
10a	040002014	Fitting - Water Trough		
10b	040002034	O-ring		
11	040002880	Rear Trough		
13	040002475	Drain Sink		
14	040002013	Drain Tube		[1]
15	040002012	Trough Tube		[2]
16	040002011	Water Tube (water pump to evaporator)		[3]
17	040002452	Water Inlet Valve Tubing		
18	040001217	Thumbscrew - #8-32 x 0.625"		
19	5202069	Screw - #10-24 x 0.50" HEX		
20	000009053	Evaporator Side Damper Mount		
21	040001995	Bracket - Water Dump Valve		
22	040002931	Bracket - Water Pump		
23	8706133	Female Wing Adapter - 0.50"		
24	5650649	Spray Bar Clamp		
25	5650709	Snap Clamp - 0.799"/0.899" ID		

PART NOTES:

- [1] - connects drain sink, dump valve and bin
- [2] - connects water trough to water pump & dump valve
- [3] - water pump to evaporator

U0190

U0190 - REFRIGERATION COMPARTMENT - COMMON COMPONENTS



U0190

U0190 - REFRIGERATION COMPARTMENT - COMMON COMPONENTS

#	PART #	DESCRIPTION	QTY	Note
1		Compressor		
1a	040002765	Compressor - Danfoss - 115V/60 Hz/1 Ph		
1b	000002899	Current Relay with Overload - 115V/60 Hz/1 Ph		
1c	000002901	Start Capacitor - 115V/60 Hz/1 Ph		
1d	040000434	Compressor - 208-230V/50-60 Hz		
1e	000002900	Relay		
1f	040000674	Start Capacitor		
2		Harvest Valve		
2a	040000689	Hot Gas Valve 115/60/1 Ph		
2b	040000101	Hot Gas Valve Coil Only 115/60/1 Ph		
2c	040000690	Hot Gas Valve 230V/50-60 Hz/1 Ph		
2d	040000103	Hot Gas Valve Coil Only 230V/50-60 Hz/1 Ph		
3	2001243	HPCO		
4	000011557	Expansion Valve		
4a	3000833	Strap - Expansion Valve Bulb - 0.375"		
5	4000363	Valve Insulation Boot - Body		[1]
6	4007203	Valve Insulation Boot - Bulb		[2]
7	8251063	Manifold Strainer		
8	8373253	Access Valve		
9	8930259	Drier		
10	K00440	Luminice - NEO		
11	040002442	Bracket - Valve		
12	040002013	Drain Tube		[3]
13	040002012	Trough Tube		[4]
14	040002014	Fitting - Water Trough		
14a	040002034	O-ring		
15	040002011	Water Tube (water pump to evaporator)		
16	040002452	Water Inlet Valve Tubing		
17	040002931	Bracket - Water Pump		
18		Water Adapters		
18a	040002019	Water Adapter - Male		
18b	040002021	Water Adapter - Female		
19	040002382	Wire Bushing		
20		Snap Clamps		
21	5650539	Snap Clamp - 1.123 x 1.296		
22	5650529	Clamp - Expansion Valve Bulb		
23	5202069	Screw - #10-24 x 0.50" HEX		
24		Compressor Mounting		
24a	8503069	Mounting - Rubber Grommet		
24b	5573099	Mounting - Flatwasher		
24c	3712109	Compressor Clevis Pin - 0.25" x 1.0"		
24d	5648289	Compressor Hairpin Clip		
24e	5648269	Compressor Mounting Retainer		
24f	8503949	Mounting - Sleeve		

U0190

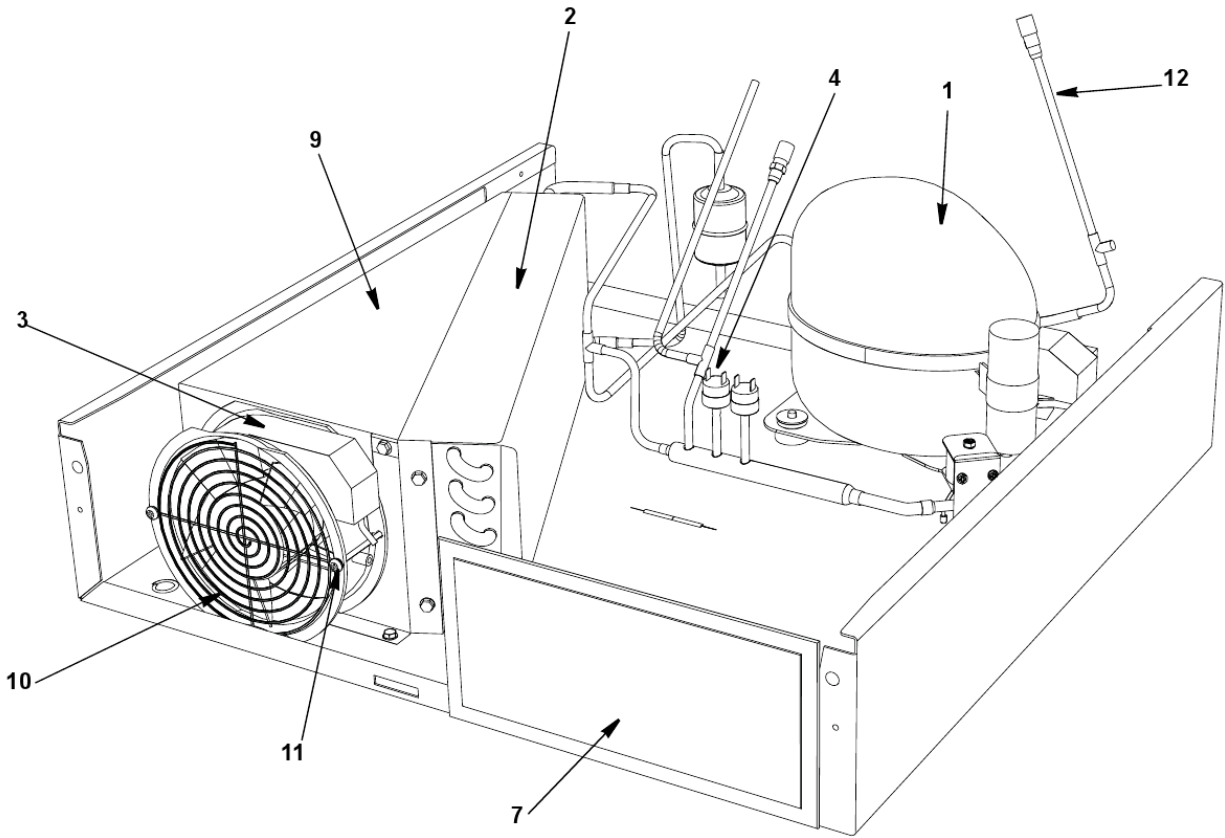
U0190 - REFRIGERATION COMPARTMENT - COMMON COMPONENTS

PART NOTES:

- [1] - \400036_05.jpg" width=2436 height=1463>
- [2] - \pages from 400720_08.jpg" width=923 height=583>
- [3] - connects drain sink, dump valve and bin
- [4] - connects water trough to water pump & dump valve

U0190

U0190 - REFRIGERATION COMPARTMENT - AIR-COOLED COMPONENTS



U0190

U0190 - REFRIGERATION COMPARTMENT - AIR-COOLED COMPONENTS

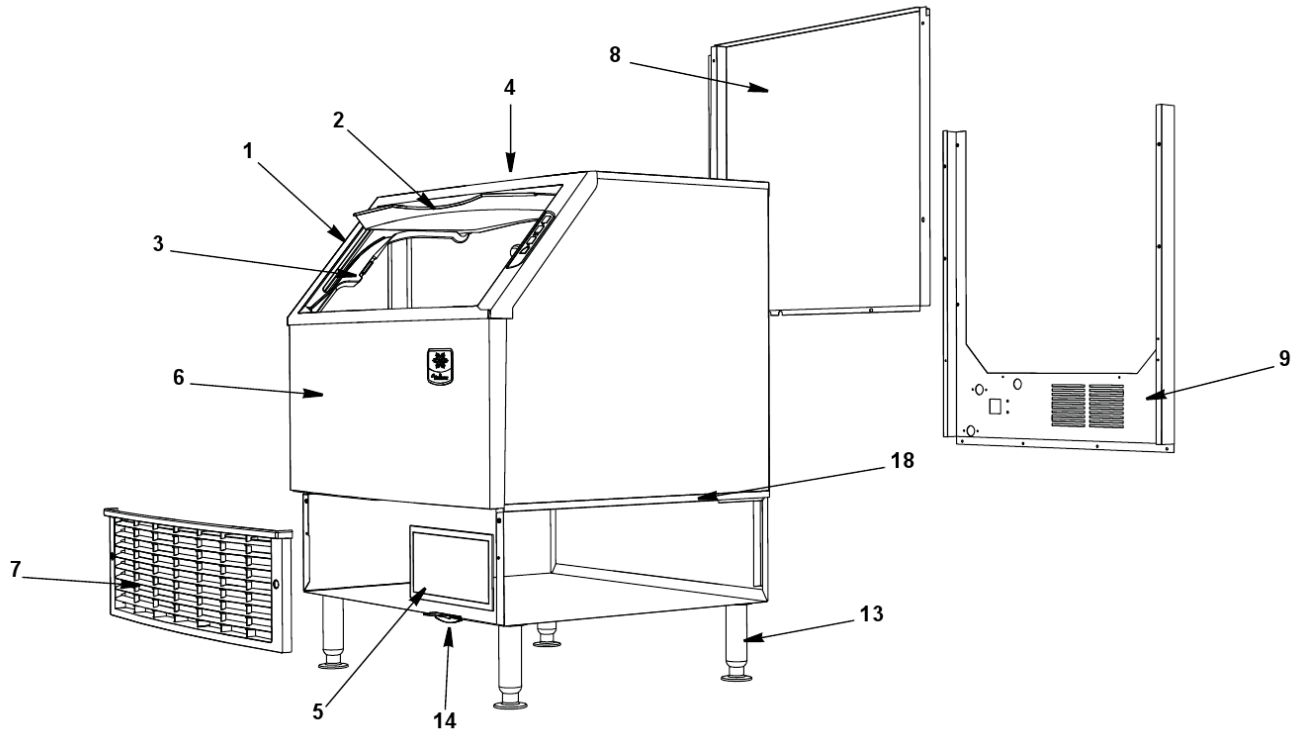
#	PART #	DESCRIPTION	QTY	Note
1		Compressor		[1]
2	040001986	Air Condenser		
3		Fan Motor with Blade		
3a	040001943	Fan Motor - 115V		
3b	040001944	Fan Motor - 230V		
4	2001263	Fan Cycling Control - 200-250 psig		[2]
5	2001243	HPCO		
6	8930259	Drier		
7	040002435	Air Filter		
8	040003184	Air Deflector		
9	040002031	Fan Shroud		
10	040002384	Fan Guard		
11	040002451	Mounting - Bolts		
12	8373253	Access Valve		
13	040002910	Bracket - Air Filter		

PART NOTES:

- [1] - Refer to COMMON PARTS Page
- [2] - \pages from 200126_09.jpg" width=150 height=306>

U0190

U0190 - PANELS



U0190

U0190 - PANELS

#	PART #	DESCRIPTION	QTY	Note
1	040003501	Door Frame with Touch Pad		
2	040004168	Door		
3	040004329	Door Track Door Track Assembly		
4	040002926	Top Cover		
5	040002435	Air Filter		
6	040004104	Cabinet Assembly		
7	040004274	Front Lower Covered Panel (grill)		[1]
8	040001994	Back Panel - Upper		
9	040002461	Back Panel - Lower - Air-cooled		
10	5202069	Screw - #10-24 x 0.50" HEX		
11	040002930	Ice Scoop - UnderCounter		
12	040002033	Ice Scoop Holder- UnderCounter		
13		Legs - Refer to Sales Price List		
14	040002910	Bracket - Air Filter		
15	040002462	Bracket - Top Panel		
16		Side Panel Brackets		
16a	040003312	Bracket - Side Panel - Right		
16b	040003314	Bracket - Side Panel - Left		
17		Door Track Brackets		
17a	040002046	Bracket - Door Track - Right		
17b	040002047	Bracket - Door Track - Left		
17c	5202099	Screw - #10-24 x 0.50" PHIL		
18		Cabinet Track Brackets		
18a	040001773	Bracket - Cabinet Track - Right		
18b	040001774	Bracket - Cabinet Track - Left		
19	040002020	Bulkhead Gasket		[2]
20	040003585	Cartoning		

PART NOTES:

- [1] - Includes air filter & catch
- [2] - seals bulkhead to bin