

S-Series 1400 Ice Cube Machine



Manitowoc



S-Series 1400
Ice Machine on B-970 Bin

- SANITATION**
We've made it simple to clean
- SAVINGS**
The perfect balance of power and efficiency
- SOUND**
Designed to run whisper-quiet
- SERVICEABILITY**
Easy access means less downtime

- Up to 1,450 lbs. (658 kgs.) daily ice production
- Removeable water distribution tube requires no tools to remove
- Food zone designed with soft rounded corners
- Patented cleaning and sanitizing technology
- Select components compounded with AlphaSan® antimicrobial
- Patented ice harvest technology reduces energy requirements
- Hinged front door for easy access
- R-404A CFC-free refrigerant
- Warranty
5-year parts and 5-year labor coverage on ice machine evaporator
5-year parts and 3-year labor coverage on ice machine compressor
3-year parts-and-labor coverage on all other ice machine, dispenser, and storage bin components



ISO 9001:2000
Quality System
Certified

America's #1 Selling Ice Machine

Ice Cube & Flake Machines • Ice Storage Bins • Ice Dispensers

Manitowoc
Foodservice Group

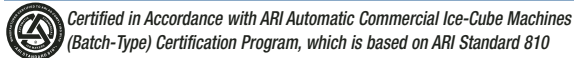
Manitowoc S-Series 1400

Model	Cube size	Ice production 24 hours		Power kWh/100 lbs.
		lbs.	kgs.	
SD-1402A	dice	1,160	526	5.3
SD-1403W	dice	1,300	590	4.3
SY-1404A	half-dice	1,160	526	5.3
SY-1405W	half-dice	1,300	590	4.3
REMOTE AIR-COOLED WITH JC-1395A CONDENSER				
SD-1492N	dice	1,210	549	4.8
SY-1494N	half-dice	1,210	549	4.8

Water usage/100 lbs./45.4 kgs. of ice

Potable Water: 18 gallons, 68.1 liters • Water-cooled Condenser: 145 gallons, 548.9 liters

Order ice storage bin separately. "A" or "W" following model number indicates "Air" or "Water" condensing unit. Ice storage bin and JC-1395A remote condenser must be ordered separately. Consult remote condenser specification sheet for details. To order 3 phase add "3" suffix to model # (SD-1402A3).



Certified in Accordance with ARI Automatic Commercial Ice-Cube Machines (Batch-Type) Certification Program, which is based on ARI Standard 810

Ice Machine Electric

208-230/60/1 standard. (208-230/60/3 and 230/50/1 also available.)

Min. circuit ampacity: Air-cooled: 17.5 1ph 13.2 3ph
Water-cooled: 16.1 1ph 11.8 3ph
Remote: 17.1 1ph 12.8 3ph

Max. fuse size: Air-cooled, Water-cooled, Remote: 30 amps 1ph
20 amps 3ph

HACR-type circuit breakers can be used in place of fuses.

Specifications

BTU Per Hour:

19,000 (average) 28,000 (peak)

Compressor:

Nominal rating: 2 HP

Cupra-Nickel Condenser:

(Water-cooled models)
Adds protection from corrosive water elements.

Operating Limits:

• Ambient Temperature Range:

Air and water: 35° to 110°F (1.67° to 43.3°C)
Remote: -20° to 120°F (-29° to 49°C)

• Water Temperature Range:

35° to 90°F (1.67° to 32.2°C)

• Water Pressure Ice Maker Water In:

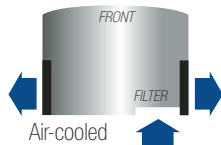
Min. 20 psi (137.9 kPa)
Max. 80 psi (551.1 kPa)

• Condenser Inlet Water In:

(Water-cooled only)
Min. 20 psi (137.9 kPa)
Max. 150 psi (1,034.2 kPa)



Air Flow Top View



AUCS®SI Accessory



Automatic Cleaning System purchased factory installed in the machine or as an option for field retrofit.

2 Cube Sizes Available



Half Dice
3/8" x 1 1/8" x 7/8"
(.95 x 2.86 x 2.22 cm)



Dice
7/8" x 7/8" x 7/8"
(2.22 x 2.22 x 2.22 cm)

24-HOUR PRODUCTION †										lbs. kgs.	
AIR-COOLED UNIT				WATER-COOLED UNIT				REMOTE AIR-COOLED UNIT			
air temp		water temp		air temp		water temp		air temp		water temp	
°F	50°	70°	90°	°F	50°	70°	90°	°F	50°	70°	90°
°C	10°	21°	32°	°C	10°	21°	32°	°C	10°	21°	32°
70°	1,450	1,320	1,250	70°	1,380	1,280	1,130	-20° to 70°	1,360	1,240	1,150
21°	659	600	568	21°	627	582	514	-29° to 21°	618	564	522
80°	1,390	1,260	1,170	80°	1,380	1,280	1,120	90°	1,320	1,210	1,120
27°	630	573	532	27°	627	582	509	32°	600	550	509
90°	1,250	1,160	1,080	90°	1,380	1,300	1,120	100°	1,260	1,140	1,040
32°	567	527	491	32°	627	591	509	38°	572	518	472

†Production for Dice and Half Dice cubes. Data is published for 60 Hz machines. 50 Hz machines produce approximately 7% less ice.

Space-Saving Designs

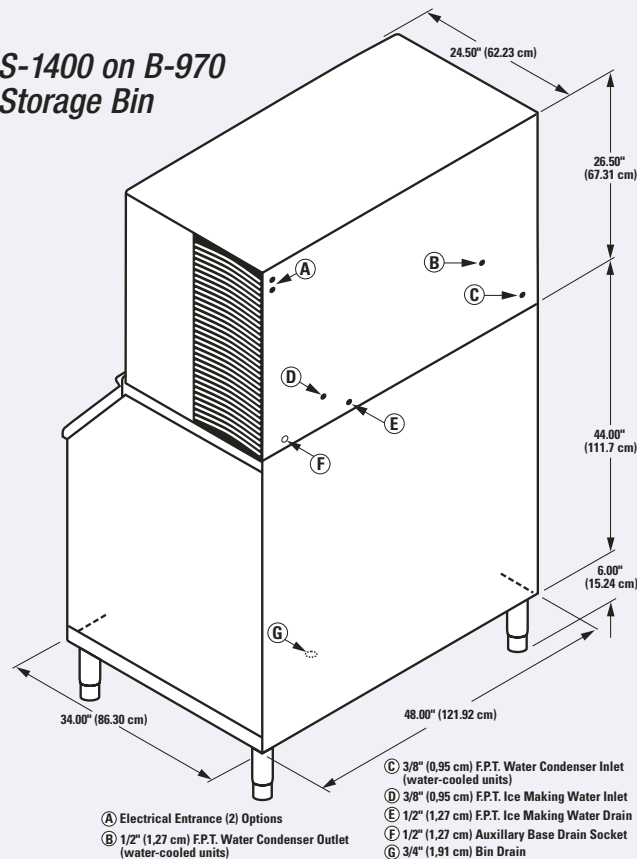
S-1400
B-970



Height	76.50" 194.31 cm
Width	48.00" 121.92 cm
Depth	34.00" 86.30 cm
Bin Storage	710 lbs. 322.2 kgs.

Height includes adjustable bin legs 6.00" to 7.00" (15.24 to 17.78 cm) set at 6.00" (15.24 cm). For comparison purposes multiply ARI capacity by 1.3 (30%) to arrive at approximate "Application Rating Capacity."

S-1400 on B-970 Storage Bin



Installation Note - Minimum installation clearance:

Water and remote units — Top/sides: 8" (20.32 cm), back: 5" (12.7 cm).
Air-cooled units — Top/sides: 24" (60.96 cm), back: 12" (30.48 cm).



Manitowoc

MANITOWOC ICE, INC.
2110 South 26th Street, P.O. Box 1720
Manitowoc, WI 54221-1720, USA
Ph: 920-682-0161 • Fax: 920-683-7589
Visit us online at www.manitowocice.com

