



***Manitowoc***  
**Foodservice**  
**Parts Manual**

For more Parts Information:

<https://manitowocfsg.sysonline.com/Default.aspx>

# TABLE OF CONTENTS

Manitowoc Foodservice [Updated: Sep. 30, 2013]

Manitowoc - Ice & Related

Parts Catalog

Ice Machine

Q Series

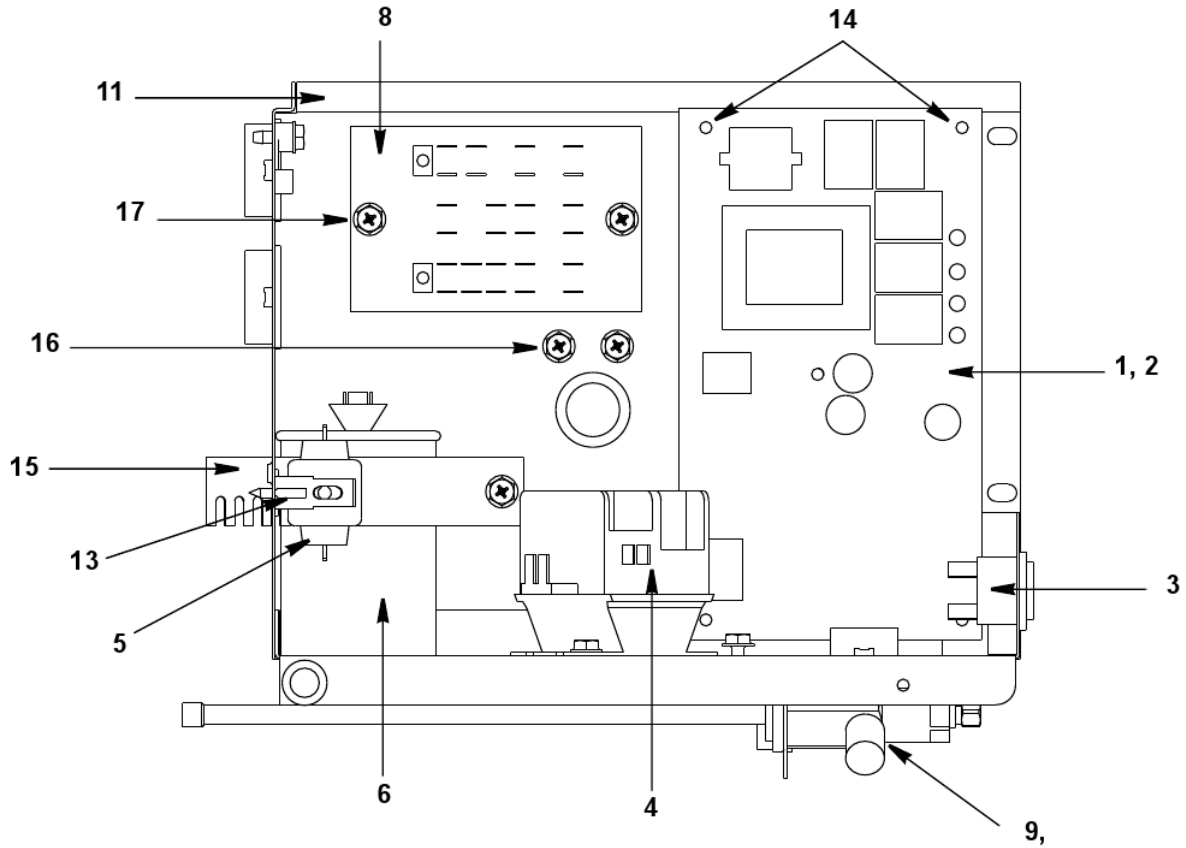
Q Model - Air, Water & Remote

Q1800, JC1895

Q1800 - Control Box Components .....	1
Q1800 - Evaporator Compartment - Common Components .....	3
Q1800 - Refrigeration Compartment - Common Components .....	5
Q1800 - Refrigeration Compartment - Air-cooled Components .....	8
Q1800 - Refrigeration Compartment - Water-cooled Components .....	10
Q1800 - Refrigeration Compartment - Remote Components .....	12
Q1800 - Panels .....	14
JC1895 Remote Condenser Components .....	16

# Q1800, JC1895

## Q1800 - CONTROL BOX COMPONENTS



# Q1800, JC1895

## Q1800 - CONTROL BOX COMPONENTS

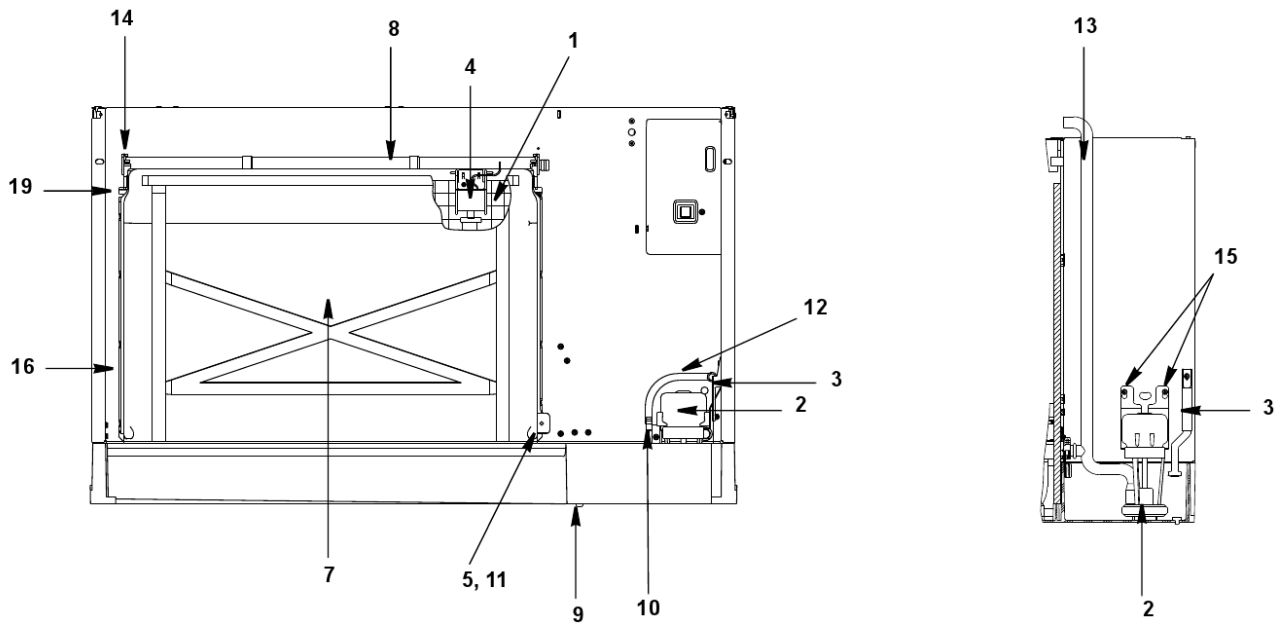
#	PART #	DESCRIPTION	QTY	Note
1	7627823	Control Board		[1]
2	2511003	7 Amp Fuse - Mounted on Control Board		
3	2301343	Toggle Switch Only		
3a	2032173	Toggle Switch with Wiring Harness Attached		
4		Contactator		
4a	2410353	Contactator 50-60 Hz/1 Ph		
4b	2006619	Contactator - 230V/60 Hz/3 Ph		
5	8504913	PTCR		
6		Compressor Run Capacitor Tecumseh Before Manufacture Date 10/09		
6a	000001395	Run Capacitor - 208-230V/50-60 Hz/1 Ph		
6b	000000028	Run Capacitor - 208-230V/50-60 Hz/1 Ph Copeland Before Manufacture Date 10/09		
6c	000000028	Run Capacitor - 208-230V/50-60 Hz/1 Ph		
6d	000000025	Run Capacitor 208-230V/50-60 Hz/1 Ph With/After Manufacture Date 10/09		
6e	000005436	Compressor - Bristol - 208-230V/60 Hz/1 Ph		
7		Run Capacitor - See Note for Usage		
7a	000001395	Run Capacitor - 208-230V/50-60 Hz/1 Ph		[2]
7b	000000028	Run Capacitor - 208-230V/50-60 Hz/1 Ph		[3]
7c	000005488	Run Capacitor - 115-230V/50-60 Hz/1 Ph		[3]
8		Terminal Board with Wire Harness Attached		
8a	2032413	Wiring Harness 208-230V/60 Hz/1 Ph		
8b	2032433	Wiring Harness 208-230V/60 Hz/3 Ph		
8c	2032423	Wiring Harness - 230V/50 Hz/1 Ph		
9	8373263	Refrigeration Service Valve Assembly		
10	5475039	Locknut - 0.375" - 18 NPS		
11	6025593	Control Box		
12	7628523	Control Box Cover		
13	8504953	PTCR Bracket		
14	4302253	Control Board Mounting Supports		
15	6024951	Capacitor Bracket		
16	5202169	Screw - #10-24 x 0.50" Ground		
17	5202069	Screw - #10-24 x 0.50" HEX		

### PART NOTES:

- [1] - for use with all voltages
- [2] - 208-230V/60 Hz/1 Ph
- [3] - 230V/50 Hz/1 Ph

# Q1800, JC1895

## Q1800 - EVAPORATOR COMPARTMENT - COMMON COMPONENTS



# Q1800, JC1895

## Q1800 - EVAPORATOR COMPARTMENT - COMMON COMPONENTS

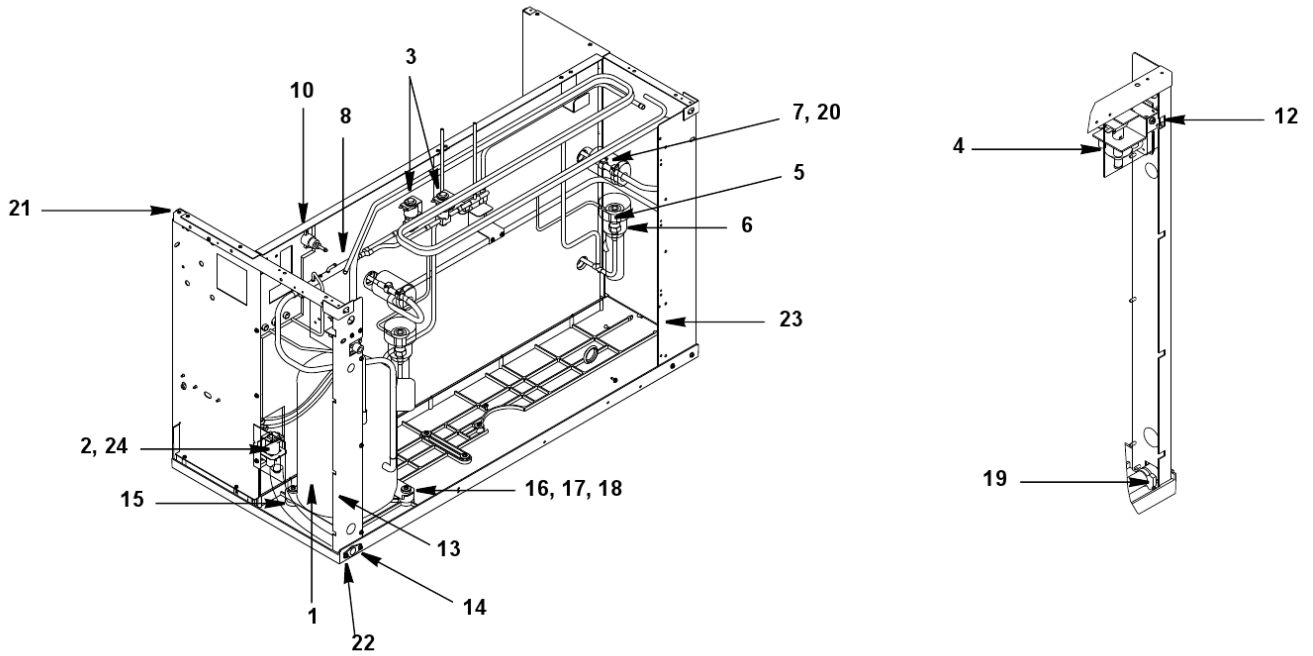
#	PART #	DESCRIPTION	QTY	Note
1		Evaporator Assembly		
1a	7626969	Evaporator - Regular Cube		
1b	7626979	Evaporator - Dice Cube		
1c	7626989	Evaporator - Half Dice Cube		
2	1480279	Water Pump - 208-230V/50-60 Hz		
3	2511293	Water Level Probe		
4	7627813	Ice Thickness Control Probe		
5	2301483	Magnetic Bin Switch		
6	7620543	Water Flow Clamp - Use on Regular Cube Evap. Only		
7	4004743	Water Curtain		
8	4303223	Water Distribution Tube - 48" Models - J/Q		
9	4300629	Water Trough Plug		
10	4303883	Water Inlet Flow Tube		
11	7628023	Water Curtain Magnet and Cap		
12	4421313	Water Inlet Tubing 0.375 ID		
13	4421173	Tubing		[1]
14	5000013	Thumbscrew - #8-32 x 0.375"		
15	5202069	Screw - #10-24 x 0.50" HEX		
16	5202189	Screw - #10-24 x 0.75"		
17	7628063	Base and Water Trough Repair Kit		
18	7628013	Evaporator Top Molding and Gasket Assembly		
19	7628563	Water Curtain Pin Assembly		

**PART NOTES:**

[1] - Water Pump Out

# Q1800, JC1895

## Q1800 - REFRIGERATION COMPARTMENT - COMMON COMPONENTS



# Q1800, JC1895

## Q1800 - REFRIGERATION COMPARTMENT - COMMON COMPONENTS

#	PART #	DESCRIPTION	QTY	Note
1		Compressor Tecumseh Before Manufacture Date 10/09		
1a	7626893	Compressor 208-230V/60 Hz/1 Ph		
1b	7626903	Compressor 208-230V/60 Hz/3 Ph		
1c	7627023	Compressor - Tecumseh - 230V/50 Hz/1 Ph		
1d	7627033	Compressor - Tecumseh - 415V/50 Hz/3 Ph Copeland Before Manufacture Date 10/09		[1]
1e	7603283	Compressor - Copeland - 208-230V/60 Hz/1 Ph		
1f	7603293	Compressor - Copeland - 208-230V/60 Hz/3 Ph		
1g	7603303	Compressor - Copeland - 230V/50 Hz/1 Ph With/After Manufacture Date 10/09		
1h	000005436	Compressor - Bristol - 208-230V/60 Hz/1 Ph		
1i	000005437	Compressor - Bristol - 208-230V/60 Hz/3 Ph		
1j	000005438	Compressor - Bristol - 230V/50 Hz/1 Ph		
2	000001768	Water Dump Valve - 208-230V/50-60 Hz		
3		Harvest Valve		
3a	7630101	Danfoss Solenoid Valve with Coil - 230V/50-60 Hz		
3b	000005157	Danfoss Solenoid Valve Coil Only - 230V/50-60 Hz		[2]
3c	2404483	Alco Solenoid Valve Coil Only - 230V/50 Hz		
4	000007966	Water Inlet Valve - 208-230V/50-60 Hz		
5	7600223	Expansion Valve		
6		Expansion Valve Body Insulation Boot		
6a	4007213	Valve Insulation Boot - Body		
6b	4000363	Valve Insulation Boot - Body		
7	4007203	Valve Insulation Boot - Bulb		[3]
8	000008362	Manifold Strainer		
9	2078103	Water Pump Electrical Wire Lead		
10a	2355369	High Pressure Cut-out Control		[4]
10b	2001243	High Pressure Cut-out Control		[5]
11		Compressor Plug Assembly		
11a	2006233	Molded Plug		
11b	000005176	Compressor Molded Plug Wiring Harness		
12	6023541	Dump Valve/Water Inlet Valve Mounting Bracket		
13	6022041	Right Corner Post Weldment		
14	8706083	Female Wing Adapter - 0.50"		
15	4420383	Clear Tubing - 0.625" ID		
16	8504859	Compressor Mounting - Rubber Grommet		
17	5573419	Compressor Mounting - Washer		
18	5012309	Compressor Mounting - Screw		
19	5650709	Snap Clamp - 0.799"/0.899" ID		
20	5650529	Clamp - Expansion Valve Bulb		
21	5202099	Screw - #10-24 x 0.50" PHIL		



# Q1800, JC1895

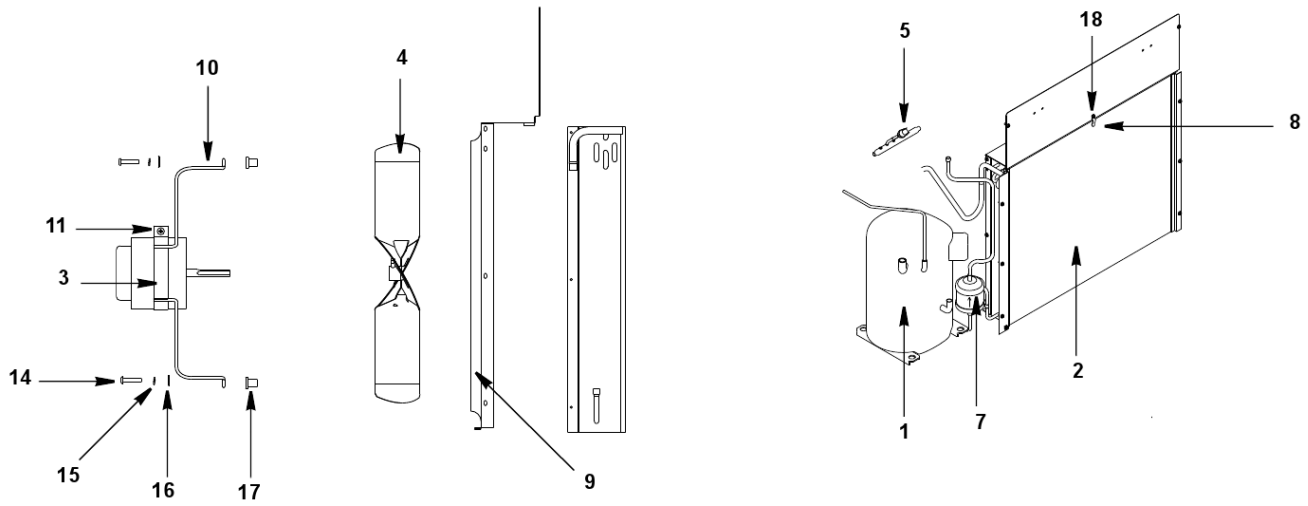
## Q1800 - REFRIGERATION COMPARTMENT - COMMON COMPONENTS

#	PART #	DESCRIPTION	QTY	Note
22	5202189	Screw - #10-24 x 0.75"		
23	6045141	Left Corner Post Weldment		
24	6015971	Dump Valve Mounting Bracket		
25	2006143	Terminal Block - 50 Hz - 3 Pole		
26	000005177	Discharge Muffler		[6]

### PART NOTES:

- [1] - Remote Ice Machines Only
- [2] - \pages from 000005156\_02.jpg" width=266 height=183>
- [3] - \pages from 400720\_08.jpg" width=923 height=583>
- [4] - Manual Reset
- [5] - Auto Reset
- [6] - with/after MFG Date: 10/09

Q1800 - REFRIGERATION COMPARTMENT - AIR-COOLED COMPONENTS



# Q1800, JC1895

## Q1800 - REFRIGERATION COMPARTMENT - AIR-COOLED COMPONENTS

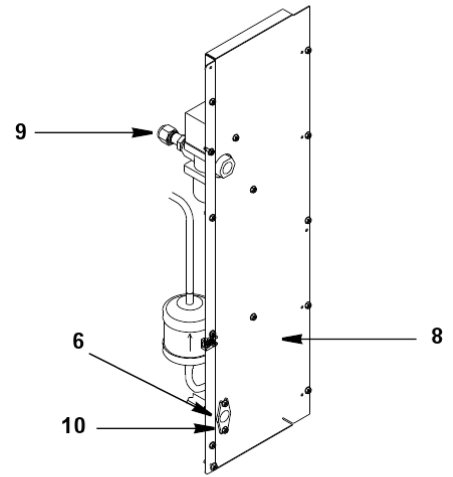
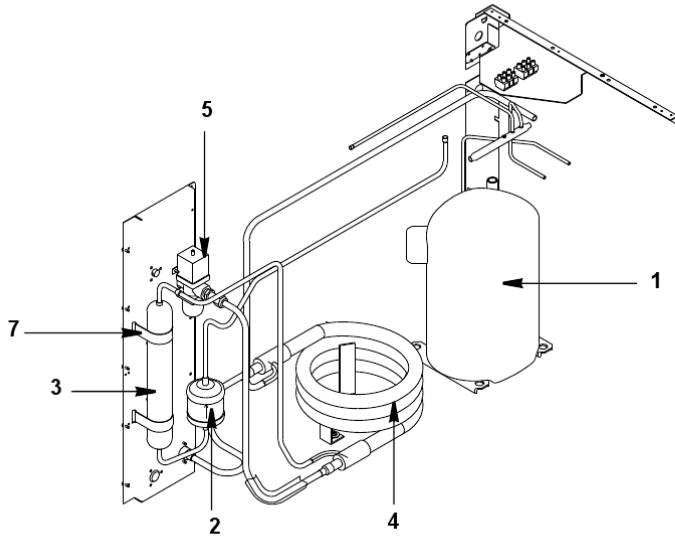
#	PART #	DESCRIPTION	QTY	Note
1		Compressor		[1]
2	8851293	Air Condenser		
3	7626733	Fan Motor - 208-230V/50-60 Hz		
4	2416113	Fan Blade		
5	2001273	Fan Cycling Control - 225-275 psig		[2]
6	4040253	Air Filter		
7	8930279	Drier		
8	5650699	Air Filter Clip		
9	6045161	Fan Shroud		
10	3006823	Fan Motor Mounting Bracket		
11	5033589	Mounting - Screw		
12	5545109	Lockwasher		
13	5429529	Mounting - Hexnut		
14	5033589	Mounting - Screw		
15	5545109	Lockwasher		
16	5573059	Mounting - Flatwasher		
17	5429559	Mounting - Rubber Wellnut		
18	5202069	Screw - #10-24 x 0.50" HEX		

### PART NOTES:

- [1] - Refer to COMMON PARTS Page
- [2] - \pages from 200126\_09.jpg" width=170 height=228>

# Q1800, JC1895

## Q1800 - REFRIGERATION COMPARTMENT - WATER-COOLED COMPONENTS



# Q1800, JC1895

## Q1800 - REFRIGERATION COMPARTMENT - WATER-COOLED COMPONENTS

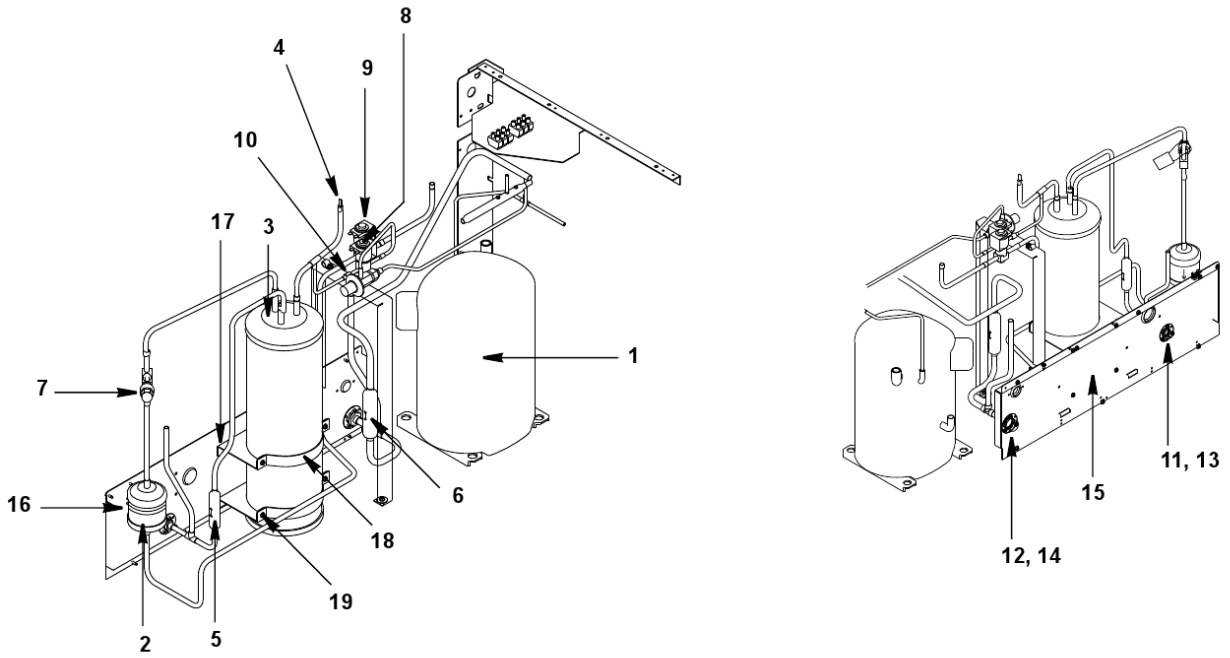
#	PART #	DESCRIPTION	QTY	Note
1		Compressor		[1]
2	8930279	Drier		
3	000008894	Receiver		
4	000001508	Water-Cooled Condenser		
5	8372123	Water Regulating Valve		
6	8706083	Female Wing Adapter - 0.50"		
7	6000541	Receiver Strap		
8	6019051	Back Panel		
9	8334193	Water Regulating Valve Union		
10	5202069	Screw - #10-24 x 0.50" HEX		

### PART NOTES:

[1] - Refer to COMMON PARTS Page

# Q1800, JC1895

## Q1800 - REFRIGERATION COMPARTMENT - REMOTE COMPONENTS



# Q1800, JC1895

## Q1800 - REFRIGERATION COMPARTMENT - REMOTE COMPONENTS

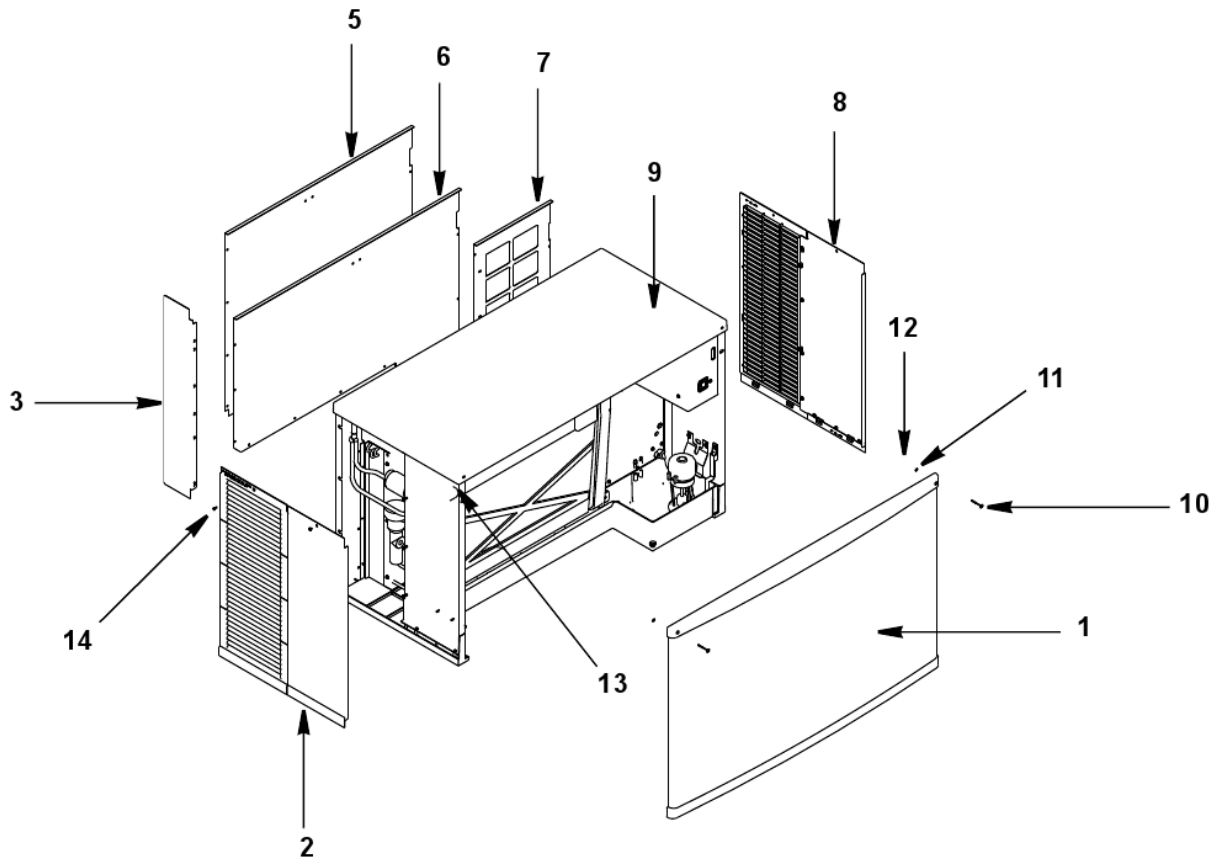
#	PART #	DESCRIPTION	QTY	Note
1		Compressor		[1]
2	8930279	Drier		
3	7629583	Receiver		
4		Safety Soft Plug		[2]
5	8373149	Magni-Check Valve - 0.375"		
6	8373159	Magni-Check Valve - 0.5"		
7	8373169	Receiver Service Valve		
7a	5650753	Caps for Refrigeration Service Valve		
8		Harvest Pressure Regulating Solenoid Valve		
8a	7630061	Danfoss Solenoid Valve with Coil - 208-230V/50-60 Hz		
8b	000005157	Danfoss Solenoid Valve Coil Only - 230V/50-60 Hz		[3]
8c	2404483	Alco Solenoid Valve Coil Only - 230V/50 Hz		
9		Liquid Line Solenoid Valve		
9a	7630101	Solenoid Valve with Coil - 230V/50-60 Hz		
9b	2404483	Alco Solenoid Valve Coil Only - 230V/50 Hz		
10	8367793	Harvest Pressure Regulating Valve		
11	8360343	Coupling - Male - 5/8-18		
12	8360353	Coupling - Male - 1-1/6-12		
13	8360053	Coupling Mounting Flange for 5/8-18		
14	8360063	Coupling Mounting Flange for 1-1/16-12		
15	6019051	Back Panel		
16	5650359	Drier Plastic Tie		
17	6000561	Receiver Mounting Bracket		
18	6307214	Receiver Mounting Strap		
19	5202069	Screw - #10-24 x 0.50" HEX		

### PART NOTES:

- [1] - Refer to COMMON Parts
- [2] - No Longer Available
- [3] - \pages from 000005156\_02.jpg" width=266 height=183>

# Q1800, JC1895

## Q1800 - PANELS





# Q1800, JC1895

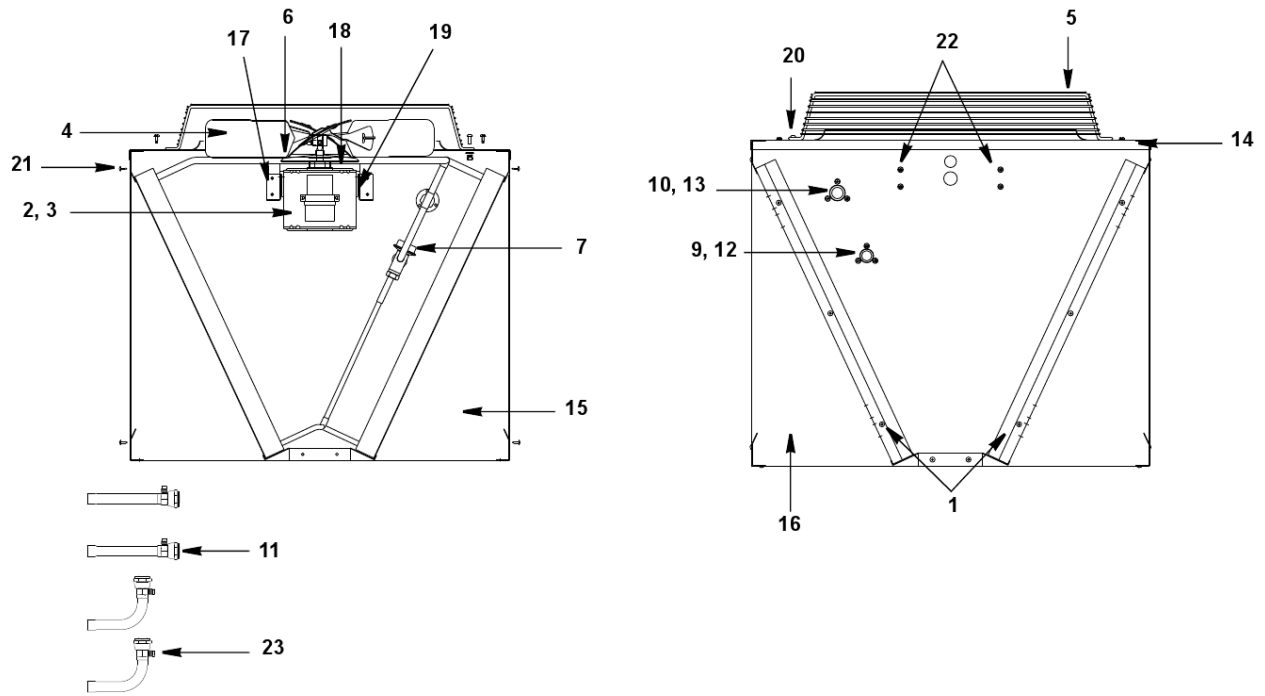
## Q1800 - PANELS

#	PART #	DESCRIPTION	QTY	Note
1	7628793	Front Panel Assembly		
2	7628593	Left Side Panel		
3	6023761	Air Baffle		
4	4040253	Air Filter		
5	6025991	Back Panel, Water		
6	6026071	Back Panel, Remote		
7	6045171	Back Panel, Air		
8	7628603	Right Side Panel		
9	4303323	Top Cover		
10	5119019	Screw - #8 x 1.75"		[1]
11	5573389	Washer - Nylon 0.171" x 0.38"		[1]
12	5648279	Screw Retainer - Nylon #8		[1]
13	5473039	Speed Nut Assembly to Mount Front Cover		
14	5202099	Screw - #10-24 x 0.50" PHIL		
15	9202509	Extruded Tape		
16	000000170	Front Top Support		

### PART NOTES:

[1] - Items 10, 11, 12 and 13 can be ordered as assembly 7628983.

JC1895 REMOTE CONDENSER COMPONENTS



# Q1800, JC1895

## JC1895 REMOTE CONDENSER COMPONENTS

#	PART #	DESCRIPTION	QTY	Note
1	8850899	Air Condenser		[1]
2	7629413	Fan Motor - 208-230V/50-60 Hz/1 Ph		
3	8504583	Fan Motor Run Capacitor		[2]
4	2416113	Fan Blade		
5	3400643	Fan Guard		
6	2415053	Rain Slinger		
7	000004070	Head Pressure Control Valve		
8	000008040	Terminal Block - 3 Pole		
9	8360343	Coupling - Male - 5/8-18		
10	8360353	Coupling - Male - 1-1/6-12		
11	K0129	Female Line Set Coupling Kit		
12	8360063	Coupling Mounting Flange for 1-1/16-12		
13	8360053	Coupling Mounting Flange for 5/8-18		
14	6017891	Top Cover		
15	6017881	Panel - Rear		
16	6017871	Panel - Front		
17	6017681	Fan Motor Mounting Bracket		
18	6017761	Electrical Box Cover		
19	5035659	Fan Motor Mounting Screw		
19a	5573099	Mounting - Flatwasher		
19b	5573139	Mounting - Lockwasher		
19c	5429759	Mounting - Hexnut		
20	5033459	Screw - 1/4-20 x 0.625"		
20a	5573049	Flatwasher		
20b	5545119	Mounting - Lockwasher		
20c	5429529	Mounting - Hexnut		
21	5121539	Panel/Condenser Mounting Screw - #8 x 0.50"		
21a	5544599	Panel/Condenser Mounting Lockwasher		
22	5202069	Screw - #10-24 x 0.50" HEX		
23	7626843	Valve Cores		
24	6017691	Legs		

### PART NOTES:

- [1] - uses two
- [2] - Emerson