



Ice Machine Parts List for Series Q450 Models

QR0450A

QD0492N

QR0451W

QY0454A

QR0490N

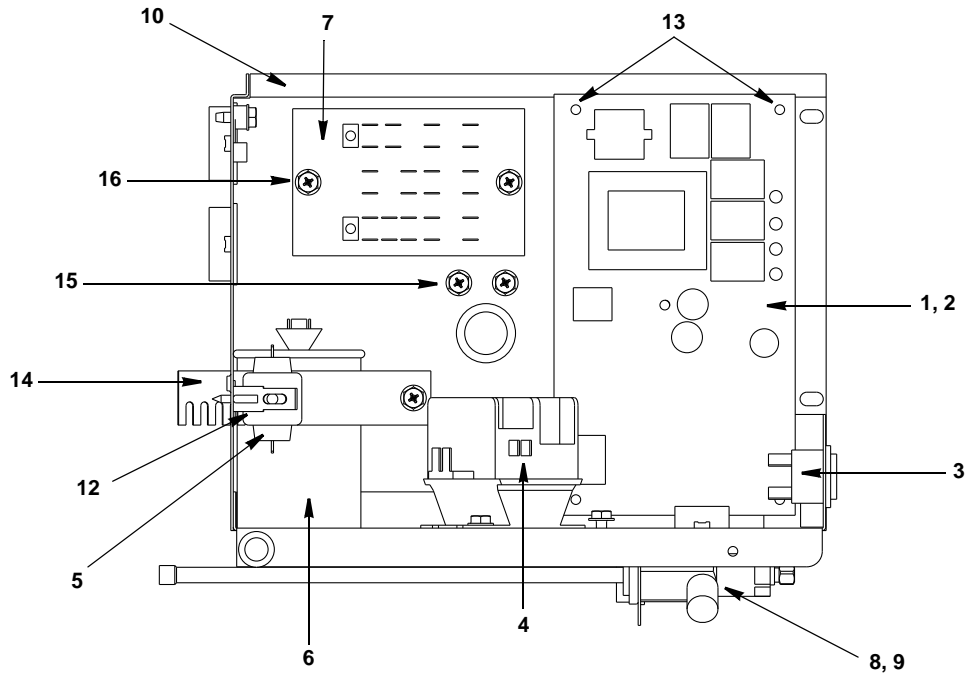
QY0455W

QD0452A

QY0494N

QD0453W

Q450 CONTROL BOX



pt1176

DESCRIPTION

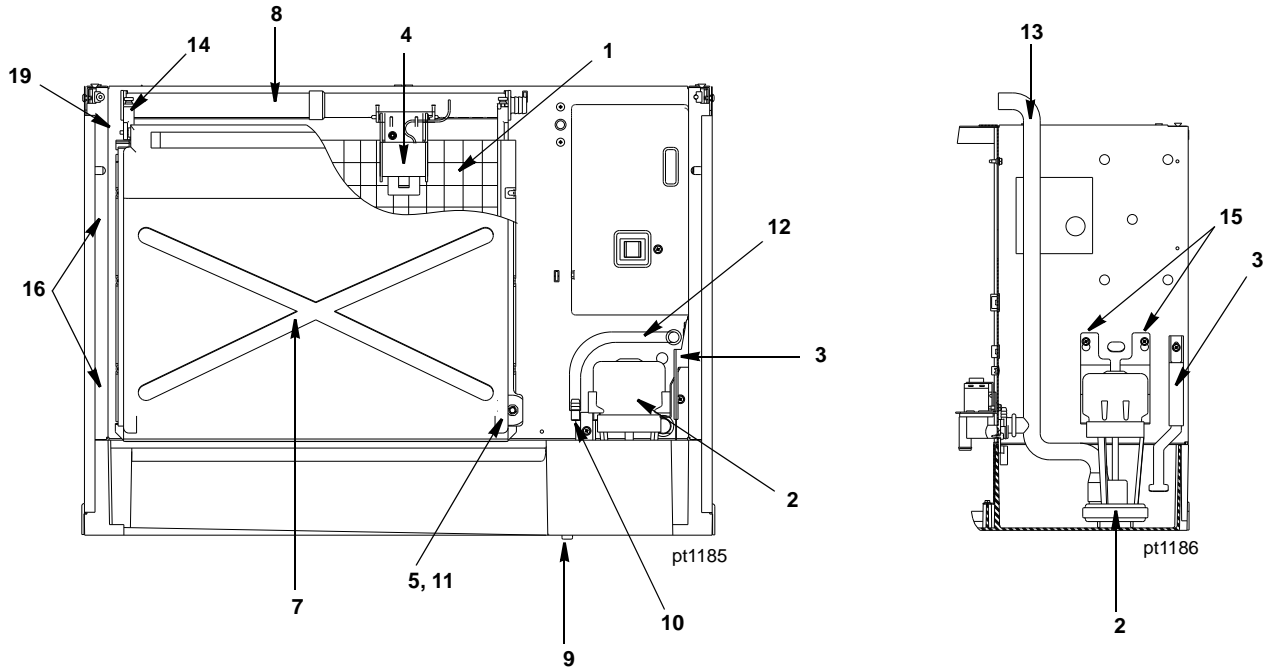
| | PART NO. |
|---|---------------------|
| 1 Control Board (for use with all voltages) | † 7627823 |
| 2 7 Amp Fuse – Mounted on Control Board | 2511003 |
| 3 Toggle Switch Only | 2301343 |
| a. Toggle Switch with Wiring Harness Attached | 2032173 |
| 4 Contactor | |
| a. 115V/60 Hz/1 Ph | † 2006589 |
| b. 208-230V/60 Hz/1 Ph or 230V/50 Hz/1 Ph | † 2006599 |
| 5 P.T.C.R. Compressor Starter. | 8505003 |
| 6 Compressor Run Capacitor | |
| a. 115V/60 Hz/1 Ph | 2010143 |
| b. 208-230V/60 Hz/1 Ph or 230V/50 Hz/1 Ph | 8504003 |
| 7 Terminal Board with Wire Harness Attached | |
| a. 115V/60 Hz/1 Ph | 2032283 |
| b. 230V/60 Hz/1 Ph | 2032293 |
| c. 50 Hz/1 Ph. | No Longer Available |
| 8 Refrigeration Service Valve Assembly | 8373263 |

Miscellaneous – Brackets, Screws, etc.

| | |
|---|-----------|
| 9 Locknut Used to Mount Refrigeration Service Valves. | † 5475039 |
| 10 Control Box. | 6025593 |
| 11 Control Box Cover (Not shown) | † 7628523 |
| 12 P.T.C.R. Compressor Starter Mounting Bracket | 8505023 |
| 13 Control Board Mounting Supports | 4302253 |
| 14 Capacitor Mounting Strap | 6024951 |
| 15 Screw, #10-24 x 0.50 Ground. | † 5202169 |
| 16 Screw, #10-24 x 0.50 | † 5202069 |

† Refer to Cross Reference Guide

Q450 EVAPORATOR COMPARTMENT



DESCRIPTION

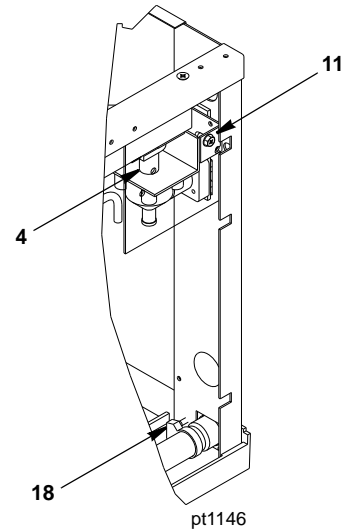
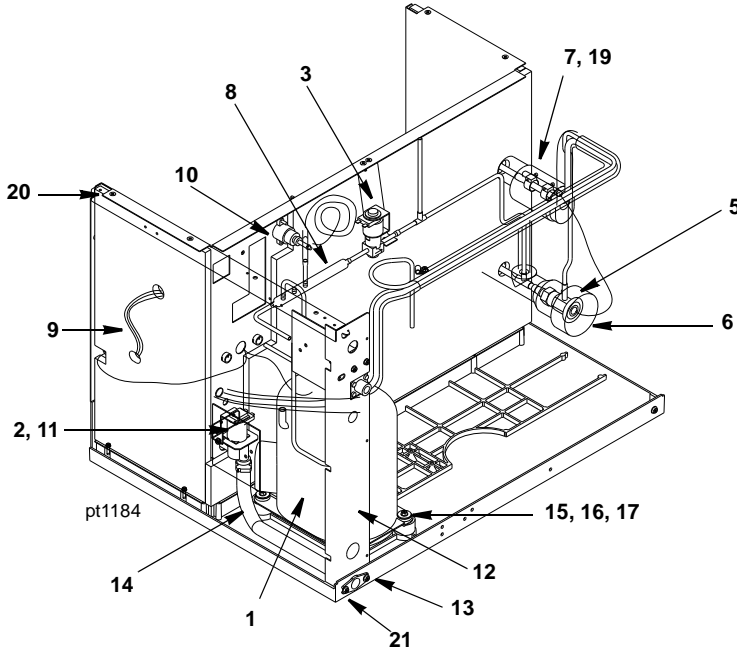
| | DESCRIPTION | PART NO. |
|----|---|-----------|
| 1 | Evaporator Assembly | |
| a. | Regular Cube | † 7625129 |
| b. | Dice Cube | † 7625119 |
| c. | Half Dice Cube | † 7625109 |
| 2 | Water Pump | |
| a. | 115V/60 Hz | † 7623063 |
| b. | 208-230V/60 Hz or 230V/50 Hz | † 7626013 |
| 3 | Water Level Probe | 2511293 |
| 4 | Ice Thickness Control Probe | † 7627813 |
| 5 | Magnetic Bin Switch (Mounted to Evaporator). | † 2301483 |
| 6 | Water Flow Clamp – Use on Regular Cube Evap. Only (Not shown) | 7620543 |
| 7 | Water Curtain | † 4304643 |
| 8 | Water Distribution Tube | † 7624983 |
| 9 | Water Trough Drain Plug | † 4300629 |
| 10 | Water Inlet Flow Tube | 4303883 |

Miscellaneous – Brackets, Screws, etc.

| | | |
|----|---|-----------|
| 11 | Water Curtain Magnet with Attachment Clip | † 7628023 |
| 12 | Water Inlet Tubing 0.375 ID | 4421113 |
| 13 | Tubing (Water Pump Out) | 4421093 |
| 14 | Screw, #8-32 x 0.63 Nylon Water Distribution Tube Mounting. | † 5000013 |
| 15 | Screw, #10-24 x 0.50 | † 5202069 |
| 16 | Screw, #10-24 x 0.750 Used to Mount Evaporator | † 5202189 |
| 17 | Base and Water Trough Repair Kit | † 7628063 |
| 18 | Evaporator Top Molding and Gasket Assembly | 7626213 |
| 19 | Water Curtain Pin Assembly | 7627763 |

† Refer to Cross Reference Guide

Q450 REFRIGERATION COMPARTMENT – COMMON PARTS

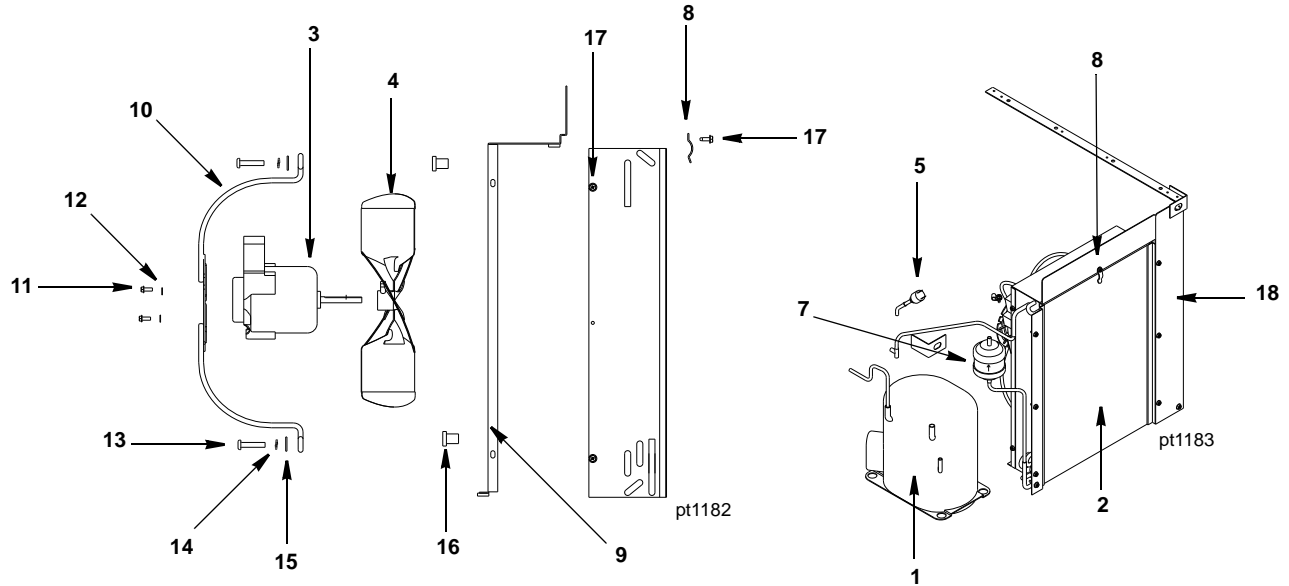


DESCRIPTION

| | | PART NO. |
|----|--|---------------------|
| 1 | Compressor | |
| | a. 115V/60 Hz/1 Ph. | † 7628103 |
| | b. Overload. | 8505553 |
| | c. 208-230V/60 Hz/1 Ph. | † 7628123 |
| | d. Overload. | 8505563 |
| | e. 230V/50 Hz/1 Ph. | † 7628113 |
| | f. Overload. | 8505573 |
| 2 | Water Dump Valve | |
| | a. Dump Valve, 115V. | 000001767 |
| | b. Dump Valve, 208-230V/50-60 Hz. | 000001768 |
| | c. Dump Valve Rebuild Kit. | No Longer Available |
| 3 | Hot Gas Valve | |
| | a. Hot Gas Valve Including 115V/60 Hz Electrical Coil (Danfoss). | † 7630011 |
| | b. Hot Gas Valve 115V Coil Only Danfoss. | 000005156 |
| | c. Hot Gas Valve 115V Coil Only Alco. | 2404363 |
| | d. Hot Gas Valve Including 208-230V/50-60 Hz Electrical Coil (Danfoss). | † 7630071 |
| | e. Hot Gas Valve 208-230V/50-60 Hz Coil Only Danfoss. | 000005157 |
| | f. Hot Gas Valve 208-230V/50-60 Hz Coil Only Alco. | † 2404483 |
| 4 | Water Inlet Valve | |
| | a. Water Inlet Valve Including 115V Coil. | 000007965 |
| | b. Water Inlet Valve Including 208-230V/50-60 Hz Coil. | 000007966 |
| 5 | Expansion Valve. | † 7600193 |
| 6 | Expansion Valve Body Insulation Boot | |
| | a. Alco. | 4007213 |
| | b. Danfoss. | 4000363 |
| 7 | Expansion Valve Bulb Insulation Boot. | 4007203 |
| 8 | Manifold Strainer (in front of hot gas valve). | 8310163 |
| 9 | Water Pump Electrical Wire Lead. | † 2078103 |
| 10 | High Pressure Cut-out (Manual Reset). | † 2355369 |
| 10 | High Pressure Cut-out (Auto Reset). | † 2001243 |
| | Miscellaneous – Brackets, Screws, etc. | |
| 11 | Dump Valve/Water Inlet Valve Mounting Bracket. | 6023541 |
| 12 | Right Corner Post Weldment. | 6019501 |
| 13 | Water Drain Female Wing Adapter. | 8706083 |
| 14 | Water Drain Vinyl Tubing, 0.625 ID. | † 4420383 |
| 15 | Compressor Mounting Rubber Grommet. | † 8503069 |
| 16 | Compressor Mounting Washer. | † 5573419 |
| 17 | Compressor Mounting Screw. | † 5012309 |
| 18 | Clamp, Water Drain. | † 5650709 |
| 19 | Clamp, Expansion Valve Bulb. | † 5650529 |
| 20 | Screw, #10-24 x 0.50. | † 5202099 |
| 21 | Screw, #10-24 x 0.75. | † 5202189 |
| 22 | Mounting Bracket. | 6023541 |
| 23 | Terminal Block (50 Hz Only). | 2006143 |

† Refer to Cross Reference Guide

Q450 REFRIGERATION COMPARTMENT – AIR-COOLED



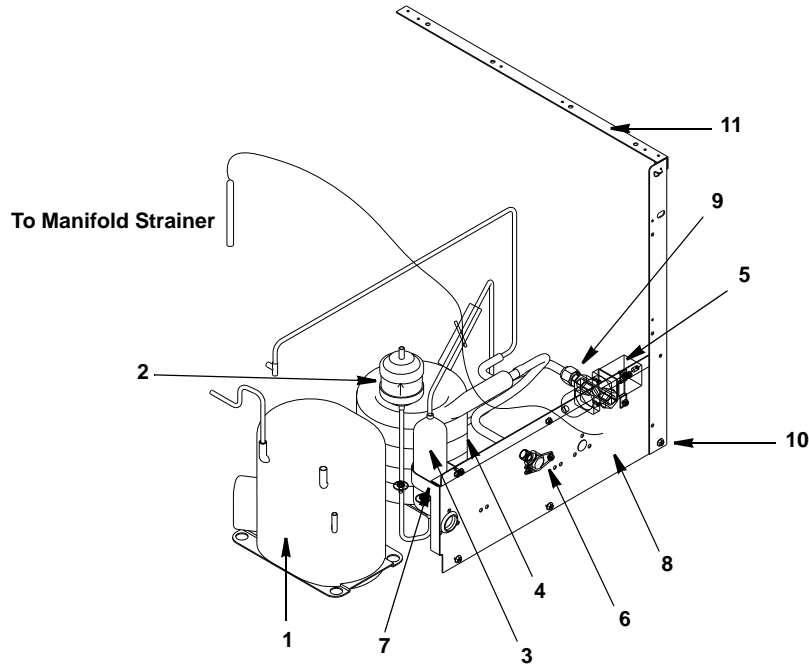
DESCRIPTION

| | | PART NO. |
|---|---|-----------------|
| 1 | Compressor (Refer to COMMON PARTS Page) | Page 4 |
| 2 | Air Condenser | 8851243 |
| 3 | Fan Motor | |
| | a. 115V | † 2412929 |
| | b. 208-230V/60 Hz or 230V/50 Hz | † 2412939 |
| 4 | Fan Blade | 2416203 |
| 5 | Fan Cycling Control | † 2001263 |
| 6 | Air Filter (Not shown) | 4040163 |
| 7 | Drier | † 8930259 |

Miscellaneous – Brackets, Screws, etc.

| | | |
|----|---|-----------|
| 8 | Air Filter Clip | † 5650699 |
| 9 | Fan Shroud | 6018791 |
| 10 | Fan Motor Mounting Bracket | 3406623 |
| 11 | Fan Motor Mounting Screw | † 5025599 |
| 12 | Fan Motor Mounting Flatwasher | † 5504269 |
| 13 | Fan Bracket Mounting Screw | † 5033589 |
| 14 | Fan Bracket Mounting Lockwasher | † 5545109 |
| 15 | Fan Bracket Mounting Flatwasher | † 5573059 |
| 16 | Fan Bracket Mounting Rubber Wellnut | † 5429559 |
| 17 | Screw, #10-24 x 0.50 | † 5202069 |
| 18 | Left Corner Post Weldment | 6021681 |

Q450 REFRIGERATION COMPARTMENT – WATER-COOLED



pt1181

DESCRIPTION

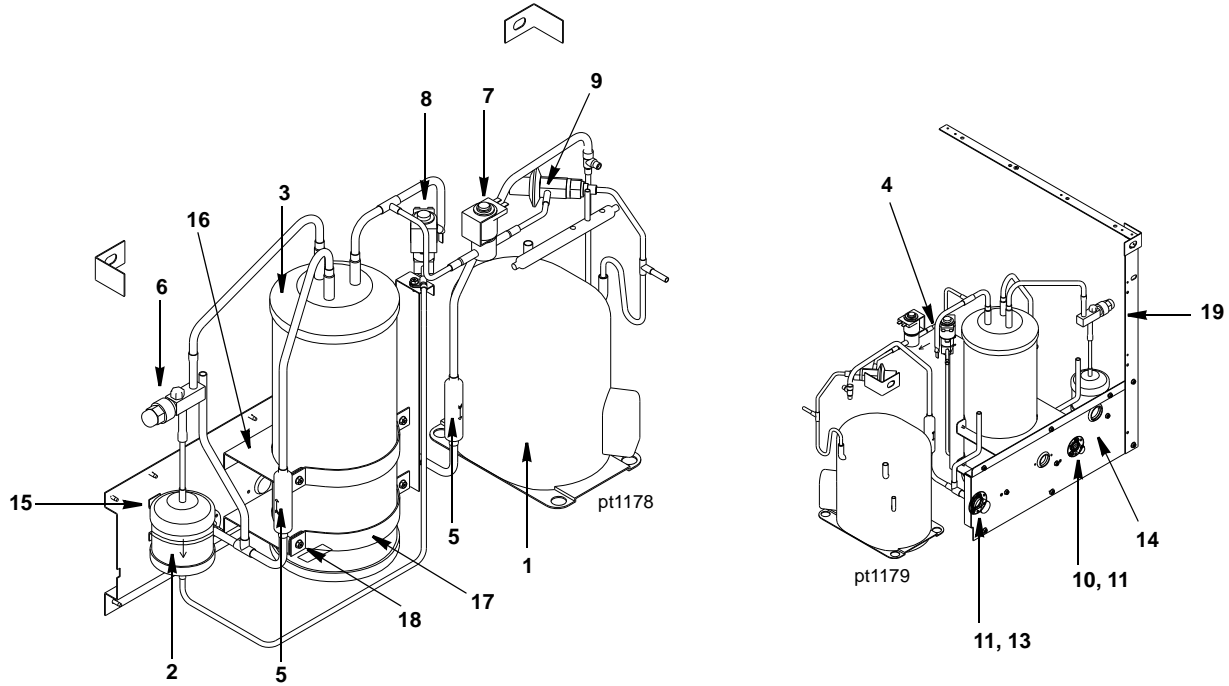
| DESCRIPTION | PART NO. |
|---|-----------|
| 1 Compressor (Refer to COMMON PARTS Page) | Page 4 |
| 2 Drier | † 8930259 |
| 3 Receiver | 000008892 |
| 4 Water-cooled Condenser | 8865323 |
| 5 Water Regulating Valve | † 8372069 |
| 6 Water Drain Female Wing Adapter | 8706083 |

Miscellaneous – Brackets, Screws, etc.

| | |
|------------------------------------|-----------|
| 7 Receiver Strap | 6000541 |
| 8 Back Panel | 6019061 |
| 9 Water Coupling | 8332033 |
| 10 Screw, #10-24 x 0.50 | † 5202069 |
| 11 Left Corner Post Weldment | 6019511 |

† Refer to Cross Reference Guide

Q450 REFRIGERATION COMPARTMENT – REMOTE



DESCRIPTION

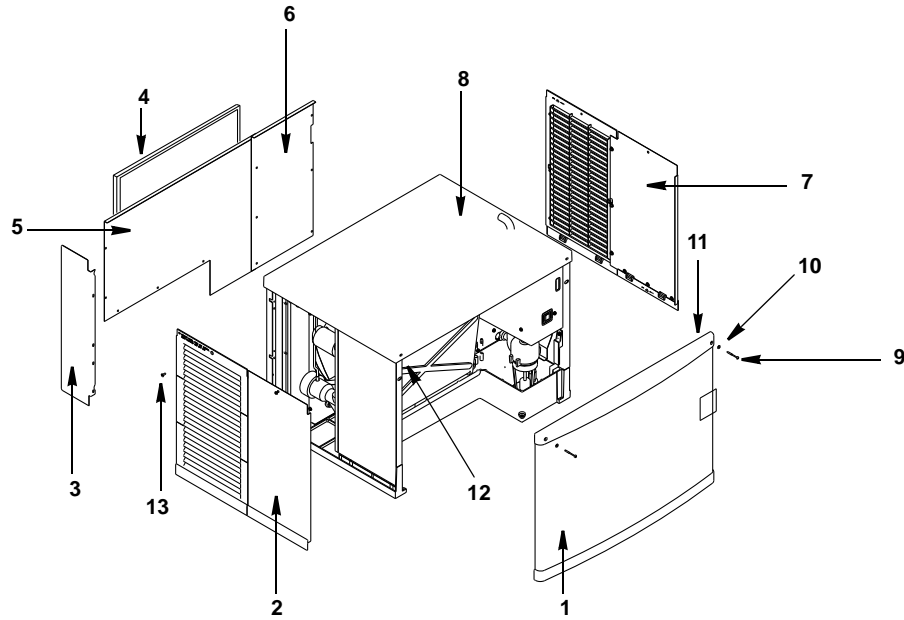
| | PART NO. |
|---|---------------------|
| 1 Compressor (Refer to COMMON Parts) | Page 4 |
| 2 Drier | † 8930279 |
| 3 Receiver | † 7629573 |
| 4 Safety Soft Plug | No Longer Available |
| 5 Magni-Check Valve | † 8373149 |
| 6 Refrigeration Service Valve | † 8373169 |
| a. Cap for Refrigeration Service Valve | 5650753 |
| 7 Harvest Pressure Regulating Solenoid (HPR) Valve | |
| a. HPR Valve Including 115V/60 Hz Electrical Coil (Danfoss) | † 7630001 |
| b. HPR Valve 115V Coil Only Danfoss | 000005156 |
| c. HPR Valve 115V Coil Only Alco | 2404363 |
| 8 Liquid Line Solenoid (LLS) Valve | |
| a. LLS Valve Including 115V/60 Hz Electrical Coil (Danfoss) | † 7630021 |
| b. LLS Valve 115V Coil Only Danfoss | 000005156 |
| c. LLS Valve 115V Coil Only Alco | 2404363 |
| 9 Harvest Pressure Regulating Valve (HPR) | † 8367793 |
| 10 Coupling – Male, 5/8-18 | † 8360343 |
| 11 Coupling – Male, 1-1/16-12 | † 8360353 |

Miscellaneous – Brackets, Screws, etc.

| | |
|---|-----------|
| 12 Coupling Mounting Flange (for 5/8-18) | 8360053 |
| 13 Coupling Mounting Flange (for 1-1/16-12) | 8360063 |
| 14 Back Panel | 6019061 |
| 15 Drier Support Bracket | 6017371 |
| 16 Receiver Mounting Bracket | 6000561 |
| 17 Receiver Mounting Strap | 6307214 |
| 18 Screw, #10-24 x 0.50 | † 5202069 |
| 19 Left Corner Post Weldment | 6019511 |

† Refer to Cross Reference Guide

Q450 PANELS



pt1177

DESCRIPTION

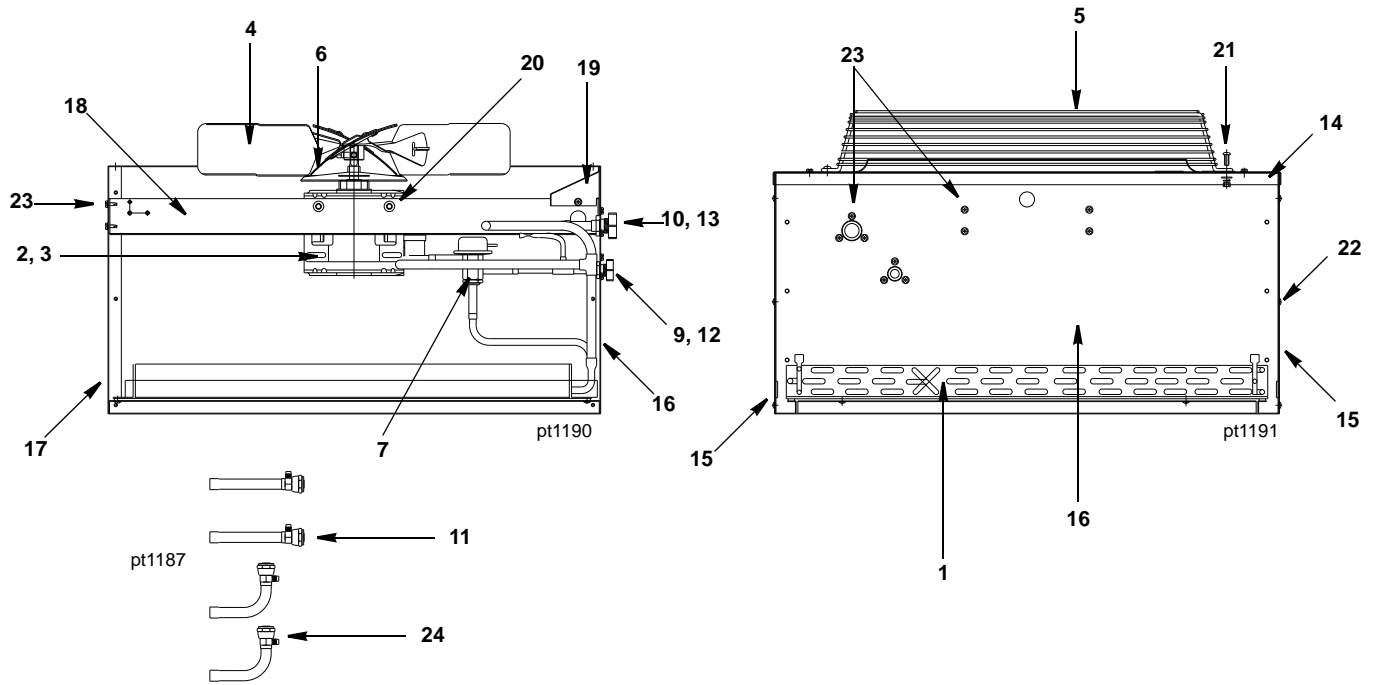
| DESCRIPTION | PART NO. |
|---|-----------|
| 1 Front Panel Assembly | 7628533 |
| 2 Left Side Panel | † 7628303 |
| 3 Air Baffle | 6023631 |
| 4 Air Filter | 4040163 |
| 5 Back Panel, Water or Remote | 6019981 |
| 6 Back Panel, Air | 6019971 |
| 7 Right Side Panel | † 7628313 |
| 8 Top Cover | 4303313 |

Miscellaneous – Brackets, Screws, etc.

| | |
|--|-----------|
| 9 Front Cover Screw | † 5119019 |
| 10 Front Cover Washer | † 5573389 |
| 11 Front Cover Screw Retainer | † 5648279 |
| 12 Speed Nut Assembly to Mount Front Cover | † 5473039 |
| 13 Screw, #10-24 x 0.50 Flat | † 5202099 |
| 14 Extruded Tape (Not shown) | † 9202509 |
| 15 Front Top Support (Not shown) | † 6580419 |

NOTE: Items 9, 10, 11 and 12 can be ordered as assembly 7628983.

JC0495 REMOTE CONDENSER (USED WITH Q450 ICE MACHINE)



DESCRIPTION

| | PART NO. |
|--|---------------------|
| 1 Air Condenser | † 8850639 |
| 2 Fan Motor (115V/60 Hz/1 Ph) | † 7629423 |
| 3 Fan Motor Run Capacitor | No Longer Available |
| 4 Fan Blade | 2416113 |
| 5 Fan Guard | 3400643 |
| 6 Rain Slinger | 2415053 |
| 7 Head Pressure Control | 000004070 |
| 8 Terminal Block | 000008040 |
| 9 Coupling – Male, 5/8-18 | † 8360343 |
| 10 Coupling – Male, 1-1/6-12 | † 8360353 |
| 11 Female Line Set Coupling Kit (Sold as Finished Goods Sales Kit) | Sales K0129 |

Miscellaneous – Brackets, Screws, etc.

| | |
|---|-----------|
| 12 Coupling Mounting Flange (for 5/8-18) | 8360053 |
| 13 Coupling Mounting Flange (for 1-1/16-12) | 8360063 |
| 14 Top Cover | † 6017751 |
| 15 Panel – Side | † 6017741 |
| 16 Panel – Rear | † 6017731 |
| 17 Panel – Front | † 6017721 |
| 18 Fan Motor Mounting Bracket | † 6017681 |
| 19 Electrical Box Cover | † 6017761 |
| 20 Fan Motor Mounting Screw (5/16-18 x 5/8) | † 5035659 |
| a. Fan Motor Mounting Flatwasher | † 5573099 |
| b. Fan Motor Mounting Lockwasher | † 5573139 |
| c. Fan Motor Mounting Hexnut | 5429759 |
| 21 Fan Guard Mounting Screw (1/4-20 x 5/8) | † 5033459 |
| a. Fan Guard Mounting Flatwasher | † 5573049 |
| b. Fan Guard Mounting Lockwasher | † 5545119 |
| c. Fan Guard Mounting Hexnut | † 5429529 |
| 22 Panel/Condenser Mounting Screw (#8 x 1/2) | † 5121539 |
| a. Panel/Condenser Mounting Lockwasher | † 5544599 |
| 23 Screw (#10-24 x 1/2) | † 5202069 |
| 24 Valve Cores (used in line sets) | 7626843 |
| 25 Legs (Not shown) | † 6017691 |

† Refer to Cross Reference Guide

INTENTIONALLY LEFT BLANK