



Ice Machine Parts List for Series Q130 Models

QR0130A

QD0133W

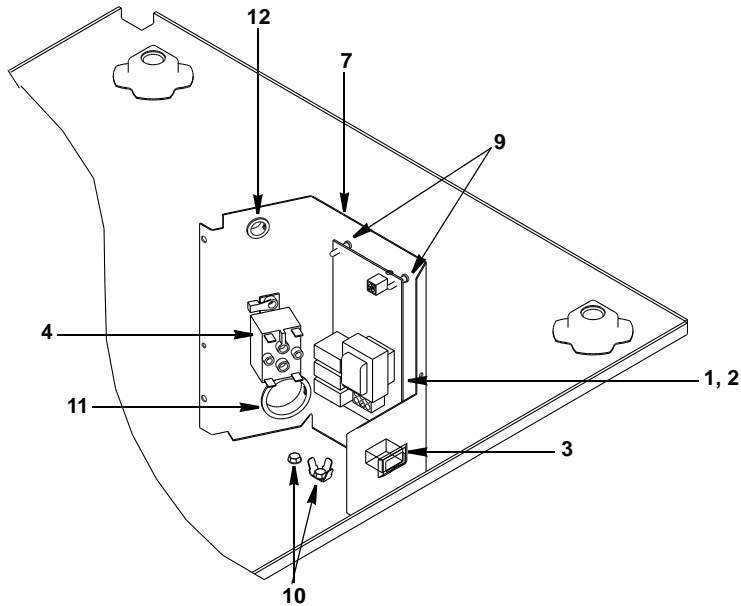
QR0131W

QY0134A

QD0132A

QY0135W

Q130 CONTROL BOX



DESCRIPTION

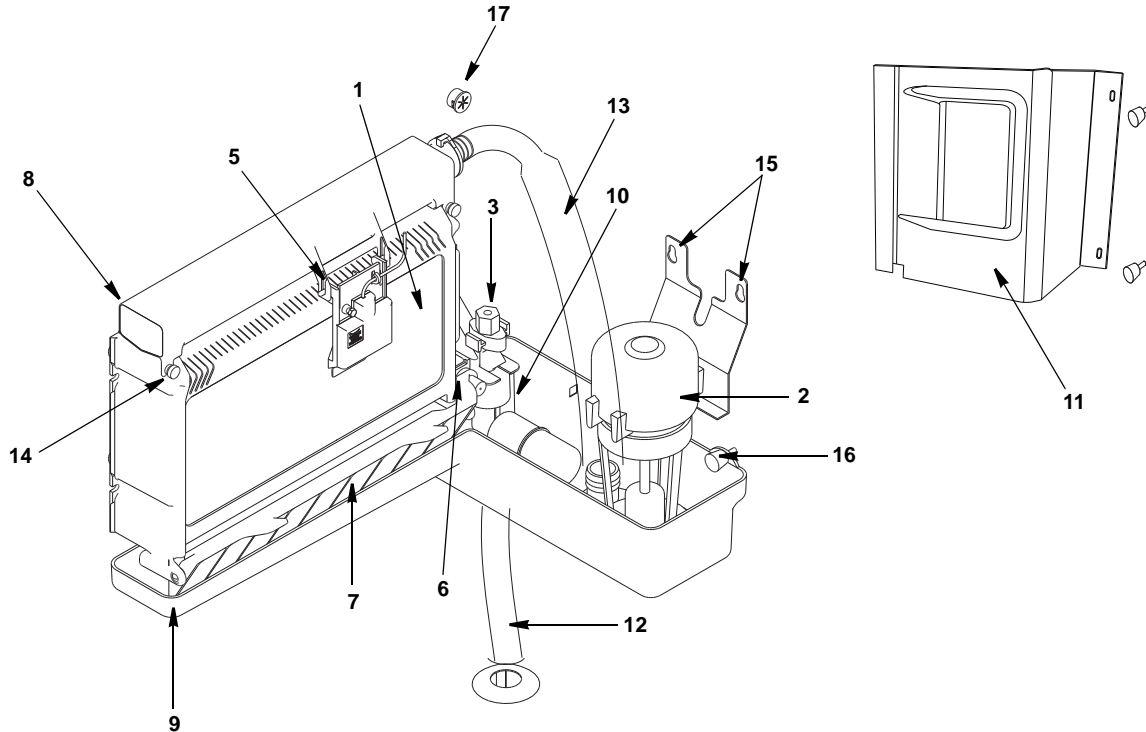
DESCRIPTION	PART NO.
1 Control Board (for use with all voltages)	† 7629073
2 10 Amp Fuse – Mounted on Control Board	2511493
3 Toggle Switch Only	2301513
a. Wiring Harness Only	2032483
4 Contactor	
a. 115V/60 Hz/1 Ph.	2006569
b. 230V/50/60 Hz/1 Ph	2006579
5 Wiring Harness	
a. Air-Cooled (Not shown)	2002183
b. Water-Cooled (Not shown)	2002193
c. Ice Thickness Control Probe (Wire Lead and Connectors Only)	2007013
6 Power Cord	
a. 125V/60 Hz (Not shown)	2006863
b. 230V/60 Hz (Not shown)	2006873
c. 230V/50 Hz (Not shown)	2033023

Miscellaneous – Brackets, Screws, etc.

7 Control Box	† 6046931
8 Control Box Cover (Not shown)	7629083
9 Control Board Mounting Supports	4302253
10 Screws, #10-24 x .25 Ground.	5202323
a. Lockwasher, #10.	5573203
11 Bushing SB1500-21/2240	† 2500139
12 Bushing SB625-8/2073	† 2502189

† Refer to Cross Reference Guide

Q130 EVAPORATOR COMPARTMENT

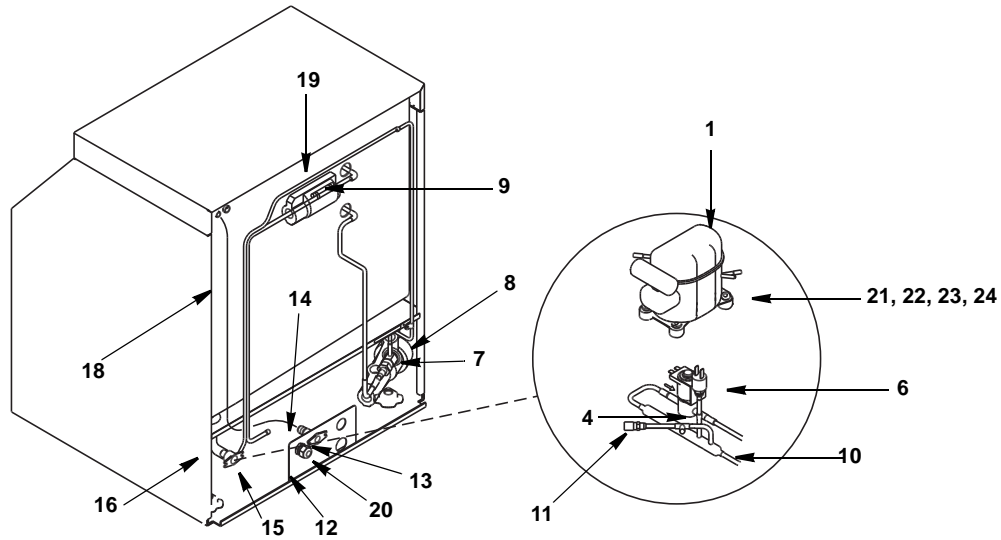


DESCRIPTION

	DESCRIPTION	PART NO.
1	Evaporator Assembly	
	a. Regular Cube	† 7629453
	b. Dice Cube	† 7629463
	c. Half Dice Cube	7629473
2	Water Pump	
	a. 115V/60 Hz	† 7623063
	b. 208-230V/60 Hz or 230V/50 Hz - Up to Serial Number 310145261	† 7626013
	c. 208-230V/60 Hz or 230V/50 Hz - After to Serial Number 310145261	04000946
3	Float Valve (Complete Assembly) - Up to Serial Number 031100000	† 7602133
4	Float Valve (Complete Assembly) - After Serial Number 031100000	8369049
	a. Float Valve Screen	† 8369069
	b. Float Valve Plunger	† 8369089
	c. Float Valve Compression Nut	† 5650729
	d. Bracket	7621403
5	Ice Thickness Control Probe	† 7601603
6	Magnetic Bin Switch (Mounted to Evaporator)	000007337
7	Ice Damper	† 7600493
	a. Ice Damper Magnet and Cap	7629093
8	Water Distribution Tube	000007163
9	Water Trough	040001233
10	Siphon Cap	4302223
11	Water Pump Cover - 115v.	000006754
	a. Thumbscrew	040001217
Miscellaneous – Brackets, Screws, etc.		
12	Drain Tube	† 7600853
13	Tubing (Water Pump Out)	040001234
14	Thumbscrew, #8-32 x .44 Nylon Water Distribution Tube Mounting	040001217
15	Screw, #10-24 x .50	† 5202069
16	Thumbscrew, #8-32 x .44	040001217
17	Bushing (Ice Thickness Probe Wire)	† 2500169
18	Water Pump Lead (Not Shown)	2078063

† Refer to Cross Reference Guide

Q130 REFRIGERATION COMPARTMENT – COMMON PARTS



pt1278

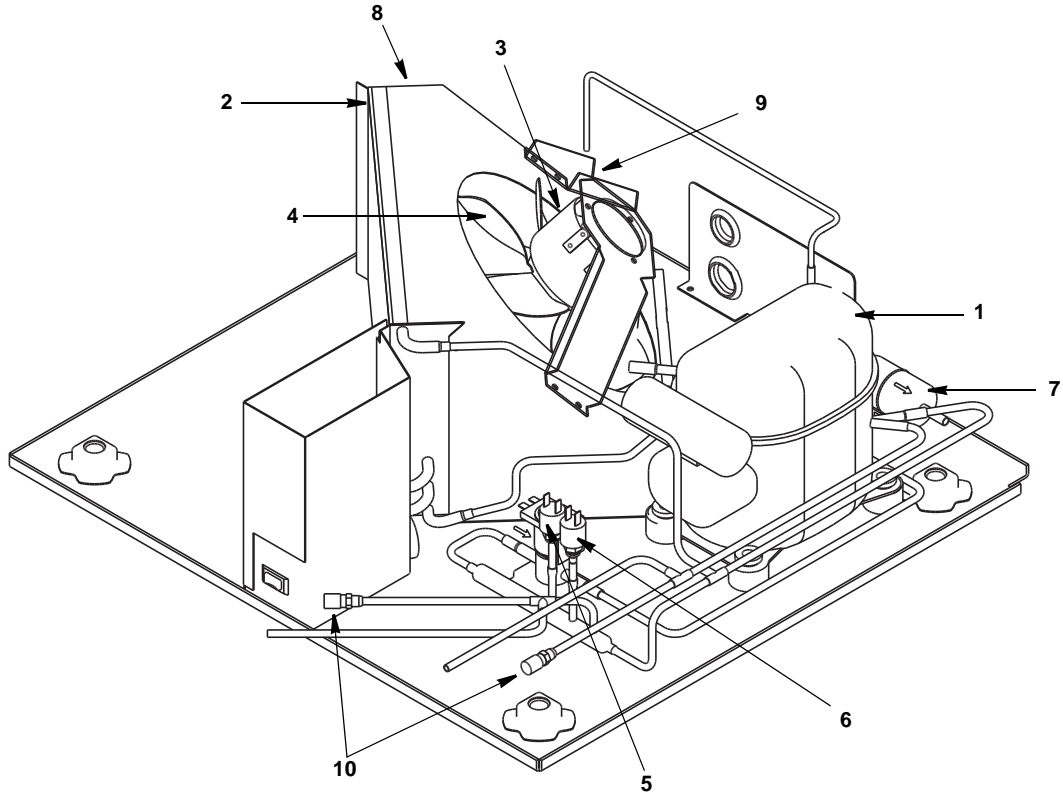
DESCRIPTION

PART NO.

NOTE: Replace a Tecumseh compressor/start components with a Tecumseh compressor/start components and a Danfoss compressor/start components with a Danfoss compressor/start components.
DO NOT INTERCHANGE COMPRESSORS OR START COMPONENTS.

1	Tecumseh Compressor - Before Serial Number 021100000	
a.	115V/60 Hz/1 Ph	† 7629103
	Overload for Compressor	8505623
	Starting Device (Tecumseh)	8505653
	Start Capacitor (Tecumseh)	8505803
b.	208/230V 60 Hz/1 Ph (Tecumseh)	† 7629113
	Overload for Compressor	8505633
	Starting Device (Tecumseh)	8505663
	Start Capacitor (Tecumseh)	8505763
c.	224/240V 50 Hz/1 Ph (Tecumseh)	† 7629123
	Overload for Compressor	8505643
	Starting Device (Tecumseh)	† 8505673
	Start Capacitor (Tecumseh)	8505813
2	Danfoss Compressor - Between Serial Number 021100000 and Serial Number 310047287	
a.	115V/60 Hz/1 Ph	7601323
	Start Relay with Overload (Danfoss)	2002043
	Start Capacitor (Danfoss)	2002033
b.	208/230V 60 Hz/1 Ph (Danfoss)	7601333
	Start Relay with Overload (Danfoss)	2004873
	Start Capacitor (Danfoss)	2004863
c.	224/240V 50 Hz/1 Ph (Danfoss)	7601333
	Start Relay with Overload (Danfoss)	2004873
	Start Capacitor (Danfoss)	2004863
3	Compressor - After Serial Number 310047287	
a.	115V/60 Hz/1 Ph	040000435
	Start Relay with Overload	00002899
	Start Capacitor	000002901
b.	208/230V 50-60 Hz/1 Ph	040000434
	Start Relay with Overload	000002900
	Start Capacitor	040000674
4	Hot Gas Valve - Up to SN310061221 - except 310047701, 310047696, 310047699, 310047698	
a.	Hot Gas Valve Including 115V 60 Hz Electrical Coil (Danfoss)	† 7630001
b.	Hot Gas Valve 115V Coil Only Danfoss	000005156
c.	Hot Gas Valve 115V Coil Only Alco	2404363
d.	Hot Gas Valve Including 208/230V 50/60 Hz Electrical Coil (Danfoss)	† 7630061
e.	Hot Gas Valve 208/230V 50/60 Hz Coil Only Danfoss	000005157
f.	Hot Gas Valve 208/230V 50/60 Hz Coil Only Alco	† 2404483
5	Hot Gas Valve - After to SN310061221 - including 310047701, 310047696, 310047699, 310047698	
a.	Hot Gas Valve Including 115V 60 Hz Electrical Coil	040000689
b.	Hot Gas Valve 115V Coil Only	040000101
c.	Hot Gas Valve Including 208/230V 50/60 Hz Electrical Coil	040000690
d.	Hot Gas Valve 208/230V 50/60 Hz Coil Only	040000103
e.	Bracket Hot Gas Valve	040000104
6	High Pressure Cut-out	† 2001243
7	Expansion Valve 115V & 230V	
a.	After Serial Number 310047287	040000594
b.	Before Serial Number 310047287	† 7600503
8	Expansion Valve Body Insulation Boot	
a.	Alco	4007213
b.	Danfoss	4000363
9	Expansion Valve Bulb Insulation Boot	4007203
10	Manifold Strainer (in front of hot gas valve)	8251063
11	Access Valve	8373253
Miscellaneous – Brackets, Screws, etc.		
12	Bracket (Water/Electrical Inlet)	6026821
13	Water Inlet Female Wing Adapter	† 8706093
14	Male Connector 1/4" OD x 1/8" NTPF	1360961
15	Bin Drain Female Wing Adapter	8706133
16	Bin Drain Tubing (Molded)	4420983
17	Bin Drain Hose Clamp (Not shown)	† 5650649
18	Water Inlet Tubing .375 ID	4420291
19	Clamp, Expansion Valve Bulb	† 5650529
20	Screw, #10-24 x .50	† 5202069
21	Compressor Mounting Rubber Grommet	† 8503069
22	Compressor Mounting Washer	† 5573099
23	Compressor Hex Head Cap Screw	† 5037709
24	Compressor Mounting Sleeve 3/8" ID x 1.031	† 8503949

Q130 REFRIGERATION COMPARTMENT – AIR-COOLED



pt1281

DESCRIPTION

1	Compressor (Refer to COMMON PARTS Page)
2	Air Condenser
3	Fan Motor
	a. 115V
	b. 208-230V/60 Hz or 230V/50 Hz
4	Fan Blade
5	Fan Cycling Control
6	High Pressure Cut-Out
7	Drier

PART NO.

Page 4
8851373
2000223
2000219
3005653
2001263
2001243
† 8930259

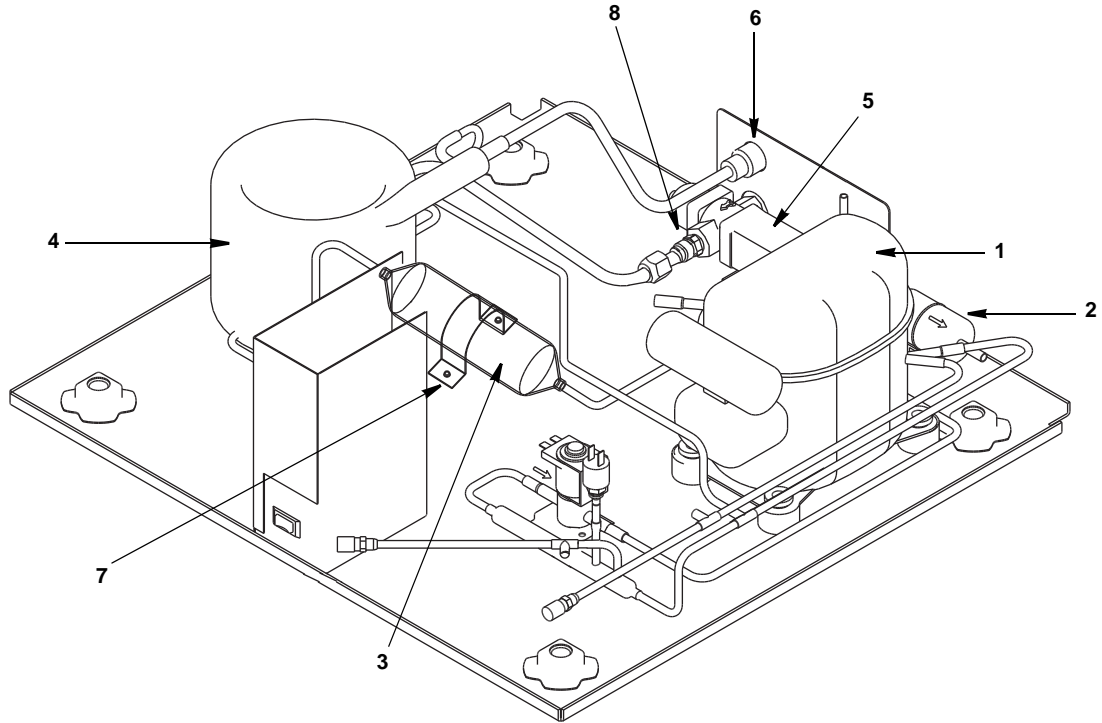
Miscellaneous – Brackets, Screws, etc.

8	Fan Shroud
9	Fan Motor Mounting Bracket
10	Access Valve

6026851
6027431
8373253

† Refer to Cross Reference Guide

Q130 REFRIGERATION COMPARTMENT – WATER-COOLED



pt1282

DESCRIPTION

1	Compressor (Refer to COMMON PARTS Page)	
2	Drier	
3	Receiver	
4	Water-cooled Condenser	
5	Water Regulating Valve	
6	Water Drain Female Wing Adapter	

PART NO.

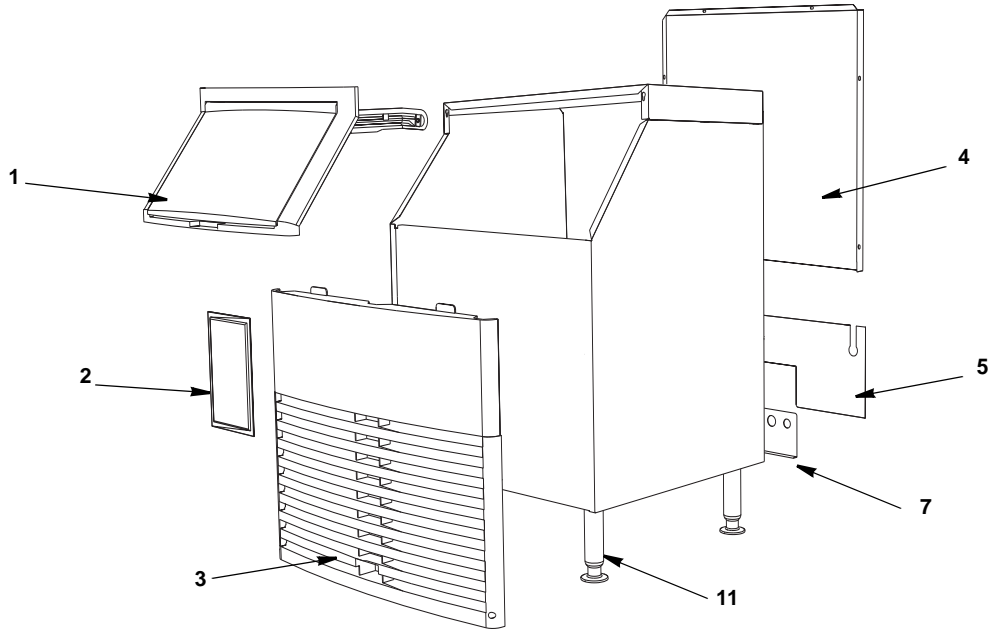
Page 4
† 8930259
00008892
8865383
8372103
8706103

Miscellaneous – Brackets, Screws, etc.

7	Receiver Strap	
8	Water Coupling	

6001891
8332023

Q130 PANELS



DESCRIPTION

	DESCRIPTION	PART NO.
1	Door Frame and Door Assembly	040001716
a.	Door Pin Sleeve	000006837
2	Air Filter	7629143
3	Front Panel Assembly.....	7629153
4	Back Panel, Upper	6026801
5	Back Panel, Lower	6033501
6	Coupling Panel	6026821

Miscellaneous – Brackets, Screws, etc.

7	Front Cover Screw	† 5202239
8	Screw, #10-24 x .50	† 5202069
9	Ice Scoop (Not shown)	† 3302603
10	Legs	K00144

INTENTIONALLY LEFT BLANK