

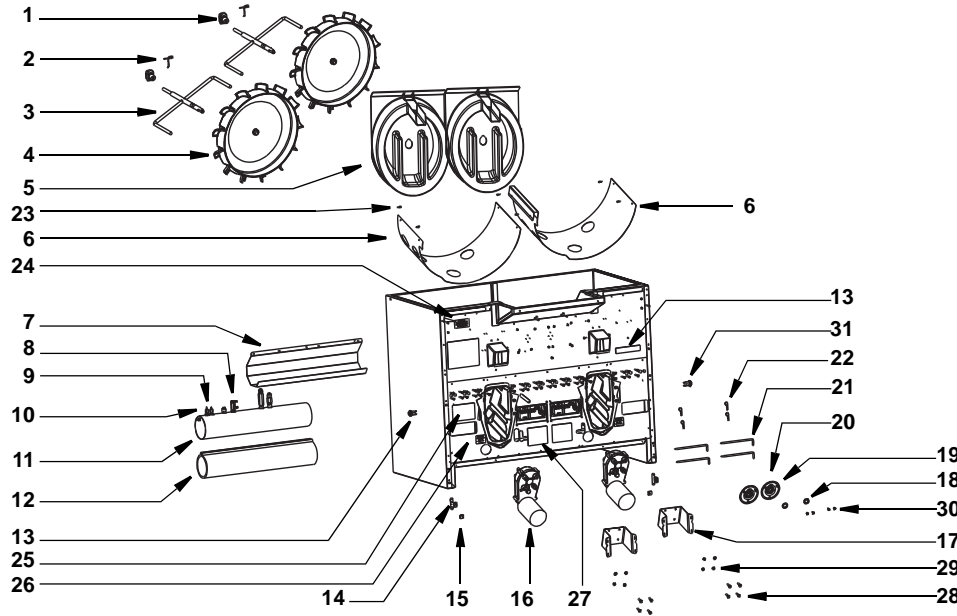


Parts List MDH Series, Icepic & MDH Selectable Ice / Beverage Dispensers

MDH-302
MDH-302 CI

MDH-402
MDH-402 CI
MDH-402 SCI

MDH-302/402 Bin Components, Carb Tank, Drive Train

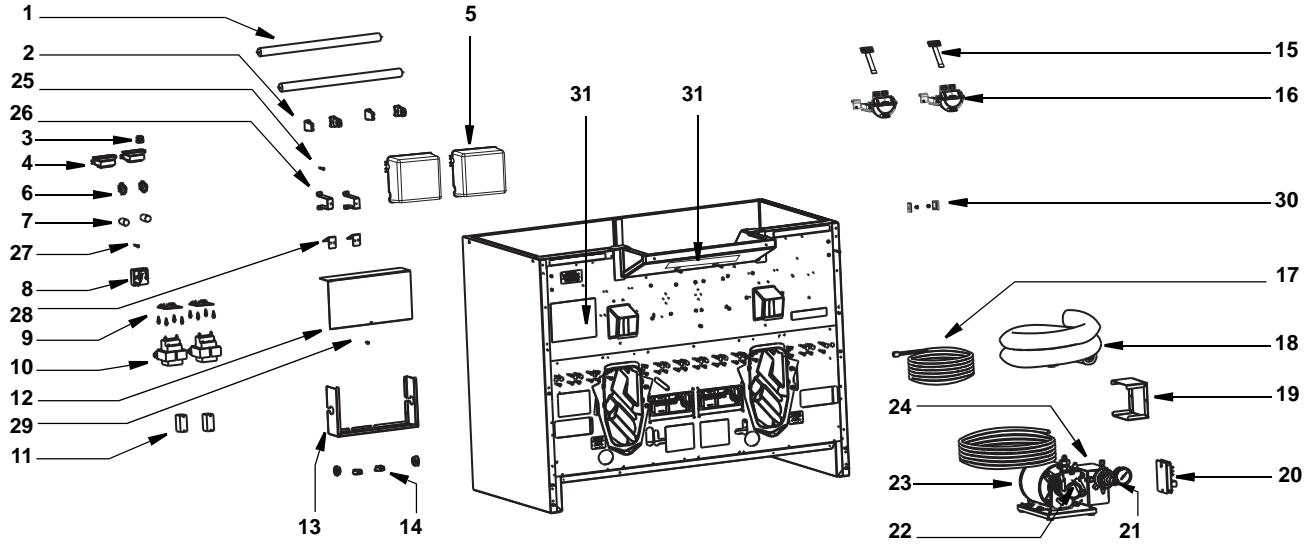


DESCRIPTION

| | DESCRIPTION | | PART NO. |
|----|--|--|-----------------|
| 1 | Mushroom Bushing (2x) | | |
| | a. Non-Front Serviceable | | 0101702 |
| | b. Front Serviceable | | 020001418 |
| 2 | U-bar Agitator Pin (2x) | | |
| | a. Non-Front Serviceable | | 5010452 |
| | b. Front Serviceable Clip Hitch Pin | | 020002668 |
| 3 | U-bar Agitator (2x) | | |
| | a. Non-Front Serviceable | | 5009529 |
| | b. Front Serviceable | | 020001420 |
| 4 | Paddle Wheel (2x) | | |
| | a. Non-Front Serviceable | | 2601415 |
| | b. Front Serviceable | | 020001423 |
| 5 | Paddle Wheel Area | | |
| | a. MDH-302 (2x on Non-Crusher 1x on MDH-302CI) | | 5001051 |
| | b. MDH-302CI (1x Left) | | 5031363 |
| | c. MDH-402 (2x on Non-Crusher 1x on MDH-402CI) | | 5001052 |
| | d. MDH-402CI (1x Left) | | 5031614 |
| | e. MDH-402SCI (Left & Right) | | 020000867 |
| 6 | Bin Liners | | |
| | a. MDH-302 Left | | 5030667 |
| | b. MDH-302 Right | | 5030666 |
| | c. MDH-402 Left | | 5030664 |
| | d. MDH-402 Right | | 5030663 |
| 7 | Locator Carb Tank (MDH-302 Only) | | 5010000 |
| 8 | Valve Pressure Relief 125 Psi W/barb. | | 19-0898 |
| 9 | Electrode Low Probe 2.97 Black | | 020001957 |
| 10 | Electrode High Probe 1.91 Red | | 020001956 |
| 11 | Horizontal Carb Tank 3.5 X 17.5 (MDH-302 Only) | | 020000257 |
| 12 | Insulation Carb Tank 17.5 (302 Only) | | 5010928 |
| 13 | Keyswitch | | 5000220 |
| 14 | Clip Panel Splash Deep (2x) | | 5031139 |
| 15 | Clip Tinn CI91728Z4 (2x) | | 0900240 |
| 16 | Agitator Motor | | |
| | a. Non-Front Serviceable (2x) | | 020003650 |
| | b. Front Serviceable (2x) 115V | | 020003596 |
| | c. Front Serviceable (2x) 220V/240V Double D Shaft | | 020001517 |
| 17 | Motor Mount (2x) | | |
| | a. Non-Front Serviceable (2x) | | 5001776 |
| | b. Front Serviceable Deep (2x) | | 5030951 |
| 18 | Seal Motor Shaft (2x) | | 5012913 |
| 19 | Bushing Plastic Locating (2x) | | 020001416 |
| 20 | Bushing / Oil Seal Assm (2x) | | 020001424 |
| 21 | Pin Retaining (4x) | | 5030743 |
| 22 | Clip Hitch Pin (4x) | | 5012374 |
| | Miscellaneous - Brackets, Screw, Etc. | | |
| 23 | Screw 8-32 X 1/2" Knurl Unslot | | 5000711 |
| 24 | Label Danger Tag #49 | | 0301249 |
| 25 | Label, Check Valve Warning | | 5010397 |
| 26 | Label, Front Serviceable Motor | | 020002079 |
| 27 | Plumbing Label | | |
| | a. MDH-302 IC Manifold 2112 | | 5010331 |
| | b. MDH-402 IC Manifold 31112 | | 5010131 |
| 28 | Screw 1/4-20 X 7/8" Hex Hd (4x per motor) | | 00850917 |
| 29 | Washer Lock 1/4" SS (4x per motor) | | 0901904 |
| 30 | Screw # 6-32 x 3/8 SLTD | | 00850430 |
| 31 | Label, Warning Don't Drill | | 0301220 |

MDH-302/402 Electrical and Carb Pump Components

MDH302CI, MDH-402CI, MDH-402SCI
base parts included.

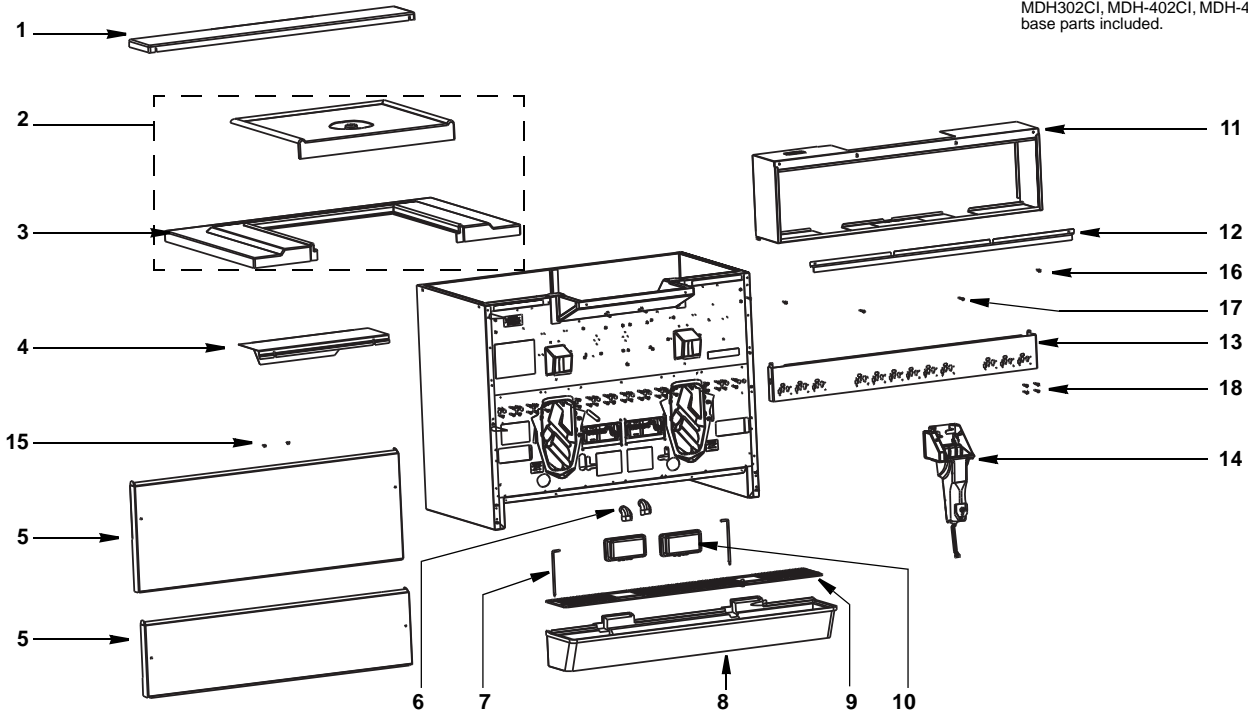


DESCRIPTION

| | PART NO. |
|--|------------------|
| 1 Fluorescent Tube | |
| a. MDH-302 - 18" | 1000309 |
| b. MDH-402 - 28" | 1000307 |
| 2 Socket End Lt Kit | 1001001 |
| 3 Plug Heyco Cord Strain Relief | 1200301 |
| 4 Ballast 115/60 | 5008644 |
| 5 Electric Box Cover (MDH-402 Models Only) | |
| a. MDH-402 Injection Molded | 5028992 |
| b. MDH-402SCI | 020001047 |
| 6 Base Starter Snap In | 020002168 |
| 7 Starter Lev FS2 | 1001005 |
| 8 Timer Agitator 115/230 | 020000222 |
| 9 Control Board 120V (MDH-402SCI Only) | 020000875 |
| a. Standoff 3/8" High | 00212539 |
| 10 Transformer 75VA 120V With Breaker | 5008229 |
| 11 Capacitor 250V AC 60Hz 28 MF (MDH-402SCI Only) | 020001402 |
| 12 Cover Box Electric | 020002757 |
| 13 Electrical Box | |
| a. MDH-402 | 020002758 |
| b. MDH402SCI | 020001046 |
| 14 Bushing 1.093" Snap | 1200308 |
| 15 Selectable Ice Key Pad (MDH-402SCI Only) | 020000876 |
| 16 Selectable Ice Module (MDH-402SCI Only) | 020003118 |
| 17 Harness Wiring Carb Tank | 5030842 |
| 18 Kit Drain | 2602528 |
| 19 Cover Top | 5028724 |
| 20 Liquid Level Control 120V | 00219104 |
| 21 Regulator Intellcarb W/bracket (MDH-302 Only) | YQT-731E |
| 22 Cold Carbonation | |
| a. MDH-302 Pump Deck 120/60 Vented | 5029123 |
| b. MDH-402 Retro Fit Kit for Internal Carbonation - 115 Volt Kit | E201397 |
| c. MDH-402 Retro Fit Kit for Internal Carbonation - 220 Volt Kit | 5010729 |
| 23 Motor Carb Pump 115V (MDH-302 Only) | 5028931 |
| 24 Deck Pump 120/60 Vented (MDH-302 Only) | 5029123 |
| Miscellaneous - Brackets, Screw, Etc. | |
| 25 Screw 8-32 x 1-1/4 Type F Ph | 5000974 |
| 26 Bracket Light Socket | 7050046 |
| 27 Screw 8-32 x 1-1/4 Type F Ph | 5000974 |
| 28 Bracket Light | 5031517 |
| 29 Screw 8-32 x 1/2" Es Form Ph Pn Stl Zinc | 5011940 |
| 30 Bracket Ext Merchandiser Mounting (MDH-402SCI Only) | 5006690 |
| a. 8-32 Tinnerman Nut (MDH-402SCI Only) | 0900231 |
| 31 Label Wiring | |
| a. MDH-302 115/100 | 5029415 |
| b. MDH-402 115/100 | 020001656 |
| c. MDH-302CI 115/100 | 020002697 |
| d. MDH-402CI 115/100 | 020002698 |
| e. MDH-402SCI Left 115/100 | 020003250 |
| f. MDH-402SCI Right 115/100 | 020003251 |

MDH-302/402 Panels, Merchandiser, Drain Pan, Rocking Chute

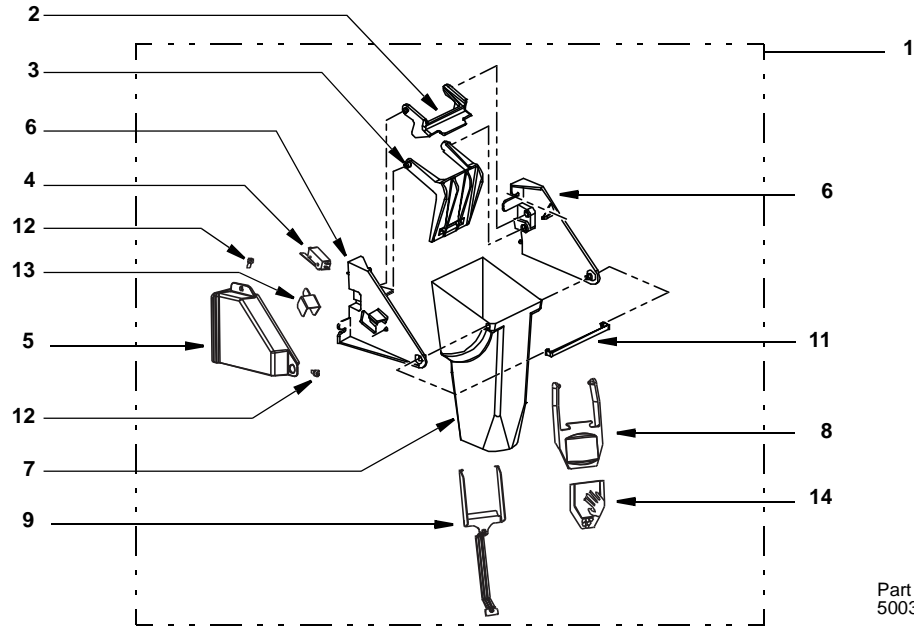
MDH302CI, MDH-402CI, MDH-402SCI
base parts included.



DESCRIPTION

| | DESCRIPTION | PART NO. |
|----|---|------------|
| 1 | Manual Fill Lid | |
| a. | MDH-302 Black CLI2 | 020000306 |
| b. | MDH-402 Black | 020000296 |
| 2 | Lid Bin Inner & Outer Cover Blk | 020001530 |
| 3 | Lid Bin Outer | |
| a. | MDH-302 | 020001527 |
| b. | MDH-402 | 020001528 |
| 4 | Lid Man Fill Area CLI3 | 020000121 |
| 5 | Splash Panels | |
| a. | MDH-302 Deep | 5028002 |
| b. | MDH-302 Black Galvn. | 5028583 |
| c. | MDH-302 Black | 5007666 |
| d. | MDH-302 Deep Ext. | 5028007 |
| e. | MDH-402 Deep | 5028229 |
| f. | MDH-402 Black Galvn. | 5028585 |
| g. | MDH-402 Deep Ext. | 5028228 |
| 6 | Elbow 90 Degree Rubber | 5010337 |
| 7 | Pin Retaining | 5030743 |
| 8 | Drain-pan | |
| a. | MDH-302 Black (SS Wrap) | 5010111 |
| b. | MDH-302 Black (Black Galvn Wrap) | 5009352 |
| c. | MDH-402 Black (Blow molded) | 5009751 |
| 9 | Grids | |
| a. | MDH-302 | 5010016 |
| b. | MDH-402 | 5009290 |
| 10 | Manifolds | |
| a. | MDH-302 4 Port Kit | 020001288 |
| b. | MDH-402 5 Port Kit | 020001289 |
| c. | Manifold Gasket (Cover) | 5009866 |
| 11 | Merchandisers | |
| a. | MDH-302 Standard SS | 020000546 |
| b. | MDH-302 Black Extended Merchandiser Is Available | |
| c. | MDH-402 Standard SS | 020000544 |
| d. | MDH-402SCI SS Dual Selectable Ice | 0200003118 |
| 12 | Angle Trim Top Merchandiser | |
| a. | MDH-302 | 5003358 |
| b. | MDH-402 | 5009497 |
| 13 | Valve Mount Caps | |
| a. | MDH-302 12 Valve | 5006967 |
| b. | MDH-302 International Valve Mount Cap Dual Favor (12 Valve) | 5028719 |
| c. | MDH-402 16 Valve | 5010782 |
| d. | MDH-402 20 Valve | 5010783 |
| 14 | Rocking Chute Assemblies | |
| a. | MDH-302 Wide | 5003622 |
| b. | MDH-402 Narrow | 020000409 |
| c. | Kit Rocking Chute | 5011789 |
| | Miscellaneous - Brackets, Screw, Etc. | |
| 15 | Screw 18 X 3/4" SS Ph Tr | 5013485 |
| 16 | Screw 8-32 X 7/8" Knurl W/slt | 5008033 |
| 17 | Screw 8-32x1-1/2 Knurl Slot | 020000259 |
| 18 | Screw 10 -24x1- 1/4" Self Tap | 5011953 |

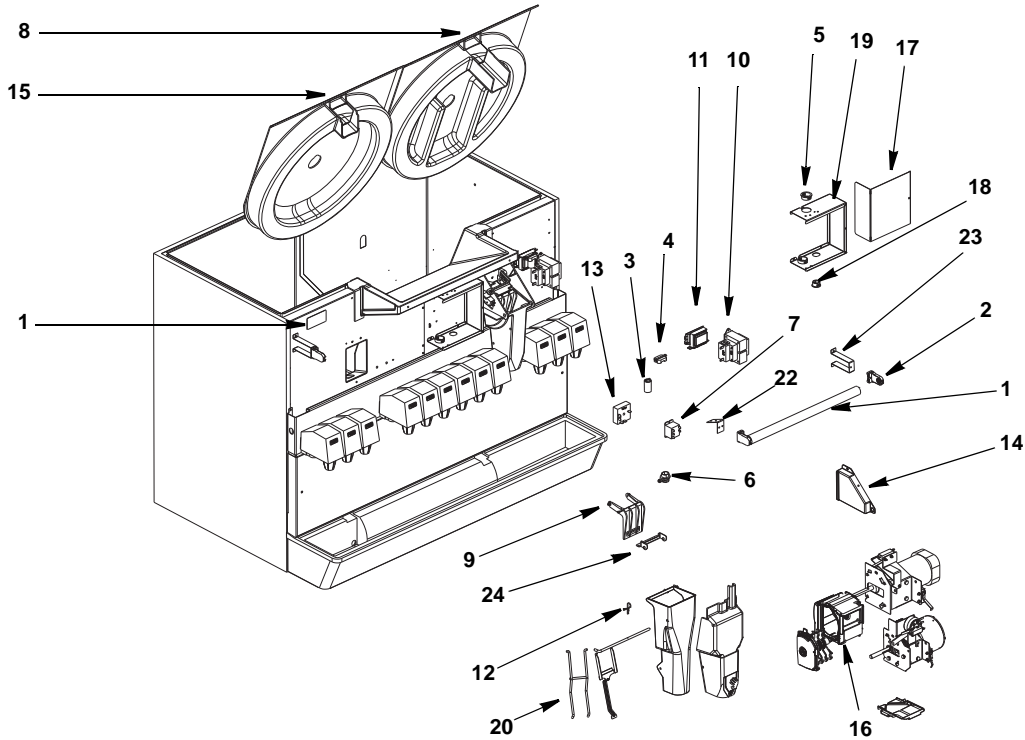
MDH-302/402 Rocking Ice Chute



Part Numbers
5003622 & 5011789

| | | |
|-----------|---|-----------|
| 1 | Complete Rocking Chute Assemblies | |
| | a. MDH-302 Wide | 5003622 |
| | b. MDH-402 Narrow | 5011789 |
| 2 | Door Lock | 5002509 |
| 3 | Door | 5002508 |
| 4 | Microswitch | 1000703 |
| 5 | Microswitch Guard | 5029622 |
| 6 | RC Brackets 5V-A | |
| | a. Right 5V-A..... | 020002672 |
| | b. Left 5V-A | 020002671 |
| | c. Kit RC Brackets 5V-A (Includes The Two New Brackets, Cover, Screw) | 020002673 |
| 7 | Rockng Chute | |
| | a. Wide | 5002506 |
| | b. Narrow | 020001376 |
| 8 | Rocking Chute Push for Ice Lever | |
| | a. Narrow | 5004851 |
| | b. Wide | 5002510 |
| 9 | Sanitary Lever | |
| | a. Narrow Burnished | 020000409 |
| | b. Wide Burnished..... | 020000410 |
| 10 | Door Mount Right | 5002657 |
| | Miscellaneous - Brackets, Screw, Etc. | |
| 11 | Bracket | 5031384 |
| 12 | Screw 8 - 32 X 1/2" ES Form PH PN STL Zinc | 5011940 |
| 13 | Bracket Ret Microswch Splh Gd | 5030228 |
| 14 | Label RC Push W/hand | 5008636 |

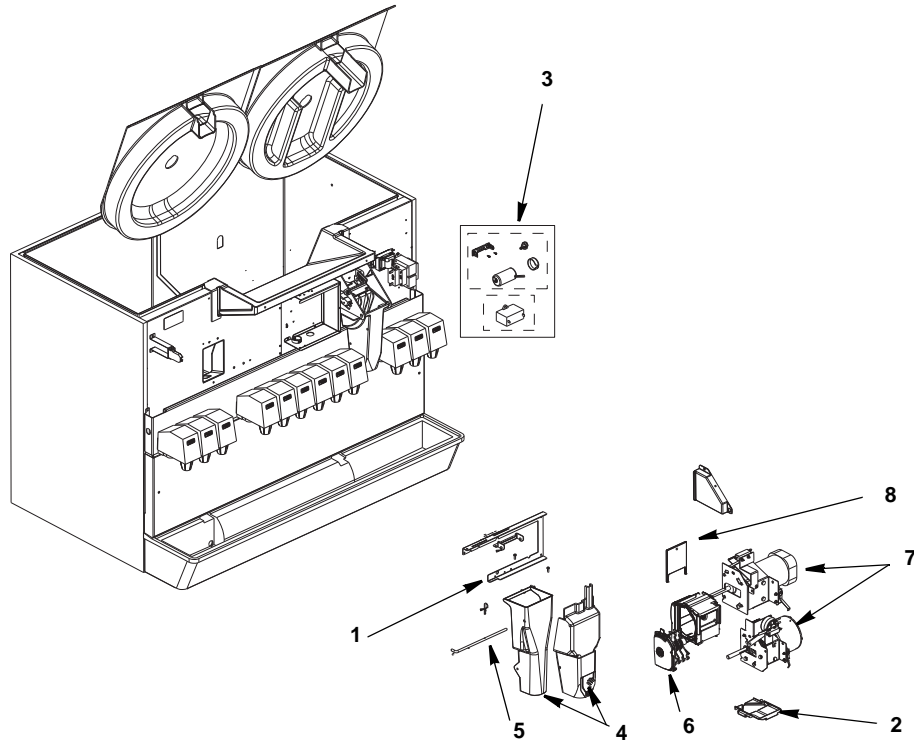
MDH-302/402 CI (GEN I & II IcePic) Exploded View Parts List



The Ice Crusher components changed to GEN II starting with the following Model & serial numbers:
MDH302 & MDH402
#610039642 & up

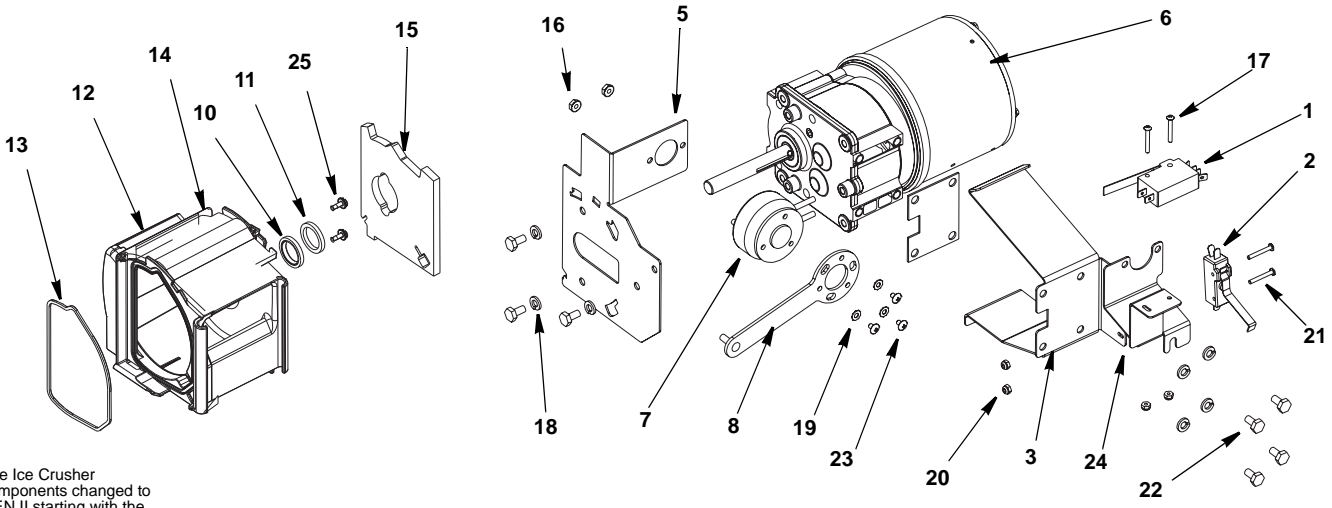
| DESCRIPTION | PART NO. |
|--|----------------|
| 1 Fluorescent Tube | |
| a. MDH-302 (18") | 1000309 |
| b. MDH-402 (28") | 1000307 |
| 2 Socket End Light | 1001001 |
| 3 Starter Lev FS2 | 1001005 |
| 4 Starter Base | 020002168 |
| 5 Bushing 1.093" Snap | 1200308 |
| 6 Cord Strain Relief Europe | 5000836 |
| 7 Relay | |
| a. All GEN I | 5031518 |
| b. MDH-302 GEN II 24VAC Coil | 5000900 |
| c. MDH-402 GEN II 24VAC Coil | 020002677 |
| 8 Paddle Wheel Area (Non-Crushed Side) | |
| a. MDH-302 | 5001051 |
| b. MDH-402 | 5001052 |
| 9 Door Rocking Chute (GEN II Only) | 5002508 |
| 10 Transformer 75VA 120V With Breaker | 5008229 |
| 11 Ballast 115/60 | 5008644 |
| a. Ballast Wire Jumper (402 only) | 5031653 |
| 12 Clip Hitch Pin | 5012374 |
| 13 Timer Agitator 115/230 | 020000222 |
| 14 Guard Splash Microswitch (GEN II Only) | 5029622 |
| 15 Paddle Wheel Area (Crushed Side) | |
| a. MDH-302 | 5031363 |
| b. MDH-402 | 5031614 |
| 16 Housing | 5031424 |
| 17 Cover Electrical Box | 7050073 |
| 18 Bushing Snap Split 1" | 020000258 |
| 19 Electrical Box | 020000295 |
| 20 Ice Chute Lever | |
| a. RC Burnished Narrow (GEN II Only) | 020000409 |
| b. Open Center (GEN II Only) | 020002869 |
| Miscellaneous - Brackets, Screw, Etc. | |
| 21 Sticker "Danger Tag" | 0301249 |
| 22 Bracket Light | 5031517 |
| 23 Bracket Lt Socket | 7050046 |
| 24 Bracket Crusher Chute (GEN II Only) | 020000888 |

MDH-302/402 CI (GEN I & II Icepic) Exploded View Parts List



| | |
|--|-----------|
| 1 Channel Motor Mount | |
| a. GEN I 302 & 402 | 5031265 |
| b. GEN II 302 & 402 | 02000993 |
| 2 Drip Pan | 020001361 |
| 3 Capacitor | |
| a. GEN I Capacitor | 5031515 |
| Capacitor Cap | 02000201 |
| Bracket Capacitor | 5031516 |
| Bracket Capacitor 8-32 X 1/2 Flat Head Screw | 0900504 |
| b. GEN II Capacitor | 020001402 |
| 4 Chute Ice Crusher | |
| a. GEN I | 5031519 |
| b. GEN II | 020001474 |
| 5 Chute Rod | |
| a. GEN I | 5031475 |
| b. GEN II | 020001514 |
| 6 Blade / Hub | |
| a. GEN I | 5031408 |
| b. GEN II | 020001515 |
| 7 Motor / Housing | |
| a. GEN I 302/402 | 5031407 |
| b. GEN II 302 | 020001516 |
| c. GEN II 402 | 020001601 |
| 8 Crusher Door (GEN I Only) | 5031624 |
| Not Shown | |
| 9 Harness Wiring (302 Only) | 5031480 |
| 10 Harness Wiring (302/402 Crusher) | 5031198 |
| 11 Wire Jumper Power | |
| a. MDH-302 CI | 5031608 |
| b. MDH-402 CI | 5031655 |
| 12 Harness Wire Left (402 only) | 5031656 |

MDH-302/402 CI GEN I Motor Assembly & Housing

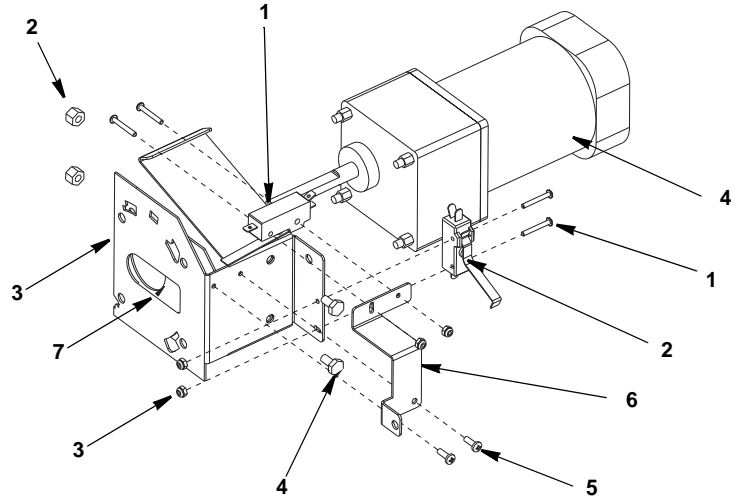
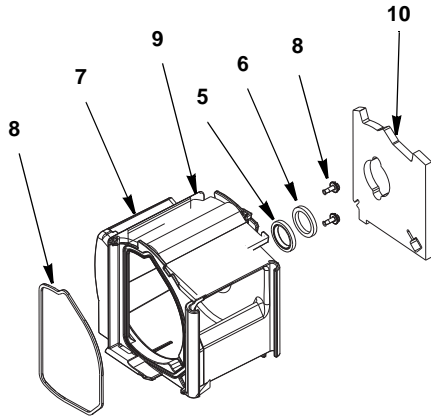


The Ice Crusher components changed to GEN II starting with the following Model & serial numbers:
MDH302 & MDH402
#610039642 & up

GEN I Assembly Part #
5031407

| | | |
|--|------------------------------|----------|
| 1 | Microswitch | |
| a. | MDH-302 | 1000703 |
| b. | MDH-402 | 02000423 |
| 2 | Microswitch | 1000703 |
| 3 | Mount Motor | 5031264 |
| 4 | Gasket Motor | 5031267 |
| 5 | Mount Housing | 5031281 |
| 6 | Motor ED-8110-1 | 5031369 |
| 7 | Solenoid Rotary | 5031370 |
| 8 | Arm | 5031615 |
| 9 | Microswitch Safety | 02000467 |
| 10 | Seal Motor Shaft | 5012913 |
| 11 | Bushing .750 I.D. | 5031244 |
| 12 | Housing Crusher | 5031349 |
| 13 | Gasket Housing | 5031352 |
| 14 | Insulation Crusher Top | 5031356 |
| 15 | Insulation Crusher Side | 5031623 |
| Miscellaneous - Brackets, Screw, Etc. | | |
| 16 | Nut 10-32 Hex W/lock | 00850705 |
| 17 | Screw 6-32 X 1" SS PH RHMS | 0900901 |
| 18 | 1/4 Lock Washer | 0901904 |
| 19 | Washer Star #8 SS | 0901915 |
| 20 | Screw 6-32 ESNA SS | 0902304 |
| 21 | Screw 6-32 Esna SS | 0902304 |
| 22 | Bolt 1/4-20 ESNA SS | 5007377 |
| 23 | Screw 8-32 X 1/4" PH PS | 5012081 |
| 24 | Bracket Chute Mount | 5031835 |
| 25 | #8-32 Screw 3/8" LG SLTD HEX | 00850430 |

MDH-302/402 CI & SCI GEN II Motor Assembly & Housing

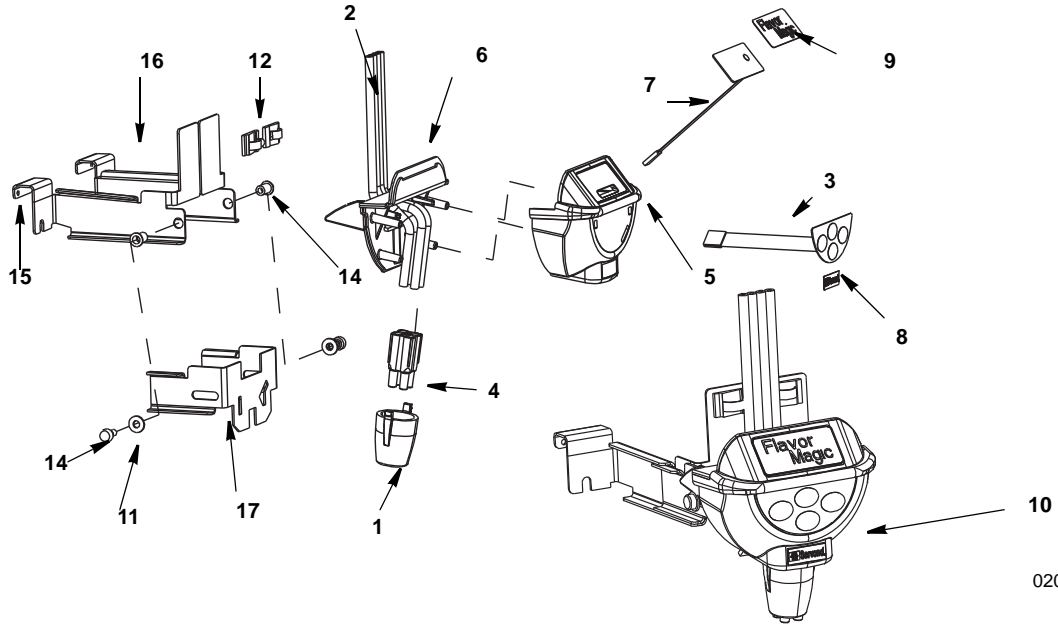


The Ice Crusher components changed to GEN II starting with the following Model & serial numbers:
MDH302 & MDH402
#610039642 & up

GEN II Assembly Part #
020001513

| | | |
|--|------------------------------------|-----------|
| 1 | Microswitch | |
| | a. MDH-302..... | 1000703 |
| | b. MDH-402..... | 02000423 |
| 2 | Microswitch Safety | 02000467 |
| 3 | Mount Housing | 02000889 |
| 4 | Motor Linix | 020002826 |
| 5 | Seal Motor Shaft | 5012913 |
| 6 | Bushing .750 I.D. | 5031244 |
| 7 | Housing Crusher..... | 5031349 |
| 8 | Gasket Housing | 5031352 |
| 9 | Insulation Crusher Top | 5031356 |
| 10 | Insulation Crusher Side | 5031623 |
| Miscellaneous - Brackets, Screw, Etc. | | |
| 1 | Screw 6-32 x 1" SS PH KHMS | 0900901 |
| 2 | Nut 1/4-20 ESNA SS | 0902302 |
| 3 | Screw 6-32 ESNA SS..... | 0902304 |
| 4 | Bolt 1/4-20 ESNA SS | 5007377 |
| 5 | Screw 8-32 x 1/2..... | 5011940 |
| 6 | Bracket Chute Mount | 02000887 |
| 7 | Bracket Crusher Motor Mount..... | 020001060 |
| 8 | #8-32 Screw 3/8" LG SLTD HEX | 00850430 |

MDH FLAVOR MAGIC MODULE



020001155

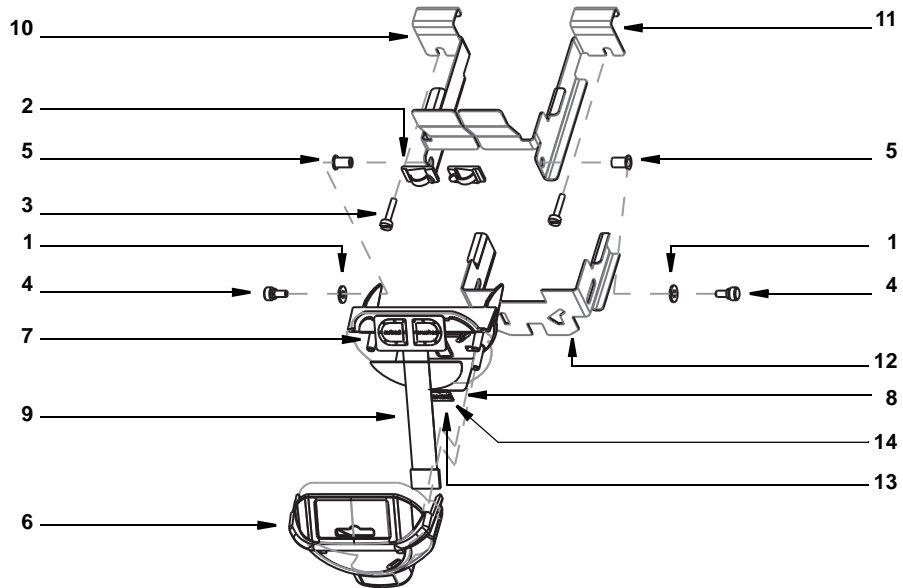
DESCRIPTION

| | | |
|----|---|-----------|
| 1 | Soft Pour Nozzle Black | 501-25 |
| 2 | Tubing 1/4x4 | 5030446 |
| 3 | 4 Button Keypad | 5031193 |
| 4 | Quad Tube Retainer | 5031453 |
| 5 | Front Cover, Icepic | 020000473 |
| 6 | Rear Cover, Icepic | 020000493 |
| 7 | Pad LED | 020001033 |
| 8 | Label - Horizontal Servend Logo | 020001034 |
| 9 | Label - Flavor Magic Graphic | 020001035 |
| 10 | MDH Flavor Magic Module Assembly. | 020003702 |

Miscellaneous - Brackets, Screw, etc.

| | | |
|----|---|-----------|
| 11 | Flat Washer .219 Id X .5 OD X .05 | 00850350 |
| 12 | Plastic Wire & Cord Clip | 0905403 |
| 13 | Screw 10-32x1/2 Knurl Unslotted | 5012790 |
| 14 | Rivnut 10-32 | 5029806 |
| 15 | Bracket, Left Mounting | 020000896 |
| 16 | Bracket, Right Mounting | 020000897 |
| 17 | Bracket, Center Mounting | 020000898 |

MDH Dual Crusher Selectable Ice Module



For MDH-402SCI
Module Assembly Part #
020003118

| | | |
|----|--|-----------|
| 1 | Flat Washer .219ID X .500OD X .050 | 00850350 |
| 2 | Clip Plastic Wire & Cord | 0905403 |
| 3 | Screw 8-32 X 7/8" Knurl W/slt | 5008033 |
| 4 | Screw 10-32x1/2 Knurl Unslt | 5012790 |
| 5 | Rivnut 10-32 | 5029806 |
| 6 | Cover Front Fm Icepic | 020000473 |
| 7 | Cover Rear Fm Icepic | 020000493 |
| 8 | Label Nozzle Opening | 020000594 |
| 9 | Keypad Selectable Ice | 020000876 |
| 10 | Bracket, Mntg, Lh/rh | 020000896 |
| 11 | Bracket, Mntg, Lh/rh | 020000897 |
| 12 | Bracket, Mntg, Center | 020000898 |
| 13 | Label Logo Servend Horz | 020001034 |
| 14 | Decal Icepic | 020001048 |