



Ice Machine Parts List for Series i-1800 Models

iR1800A

iY1804A

iR1801W

iY1805W

iR1890N

iY1894N

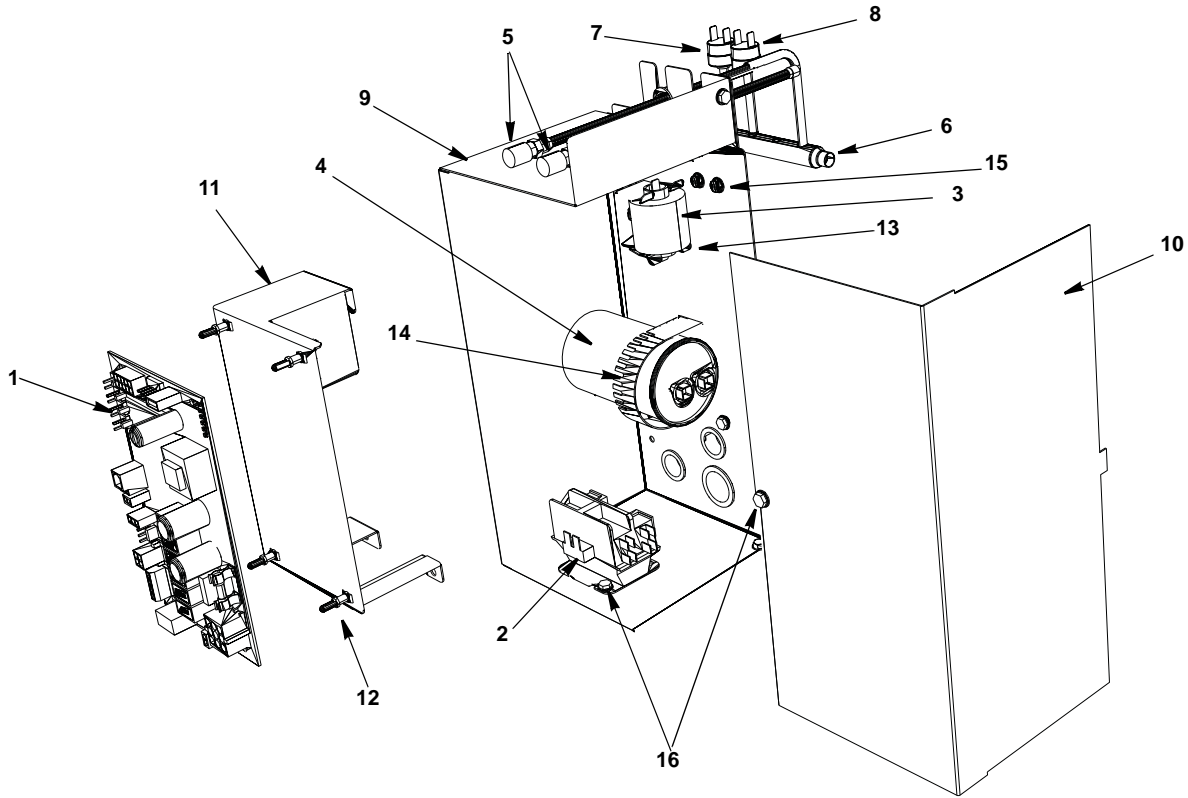
iD1802A

JC1395

iD1803W

iD1892N

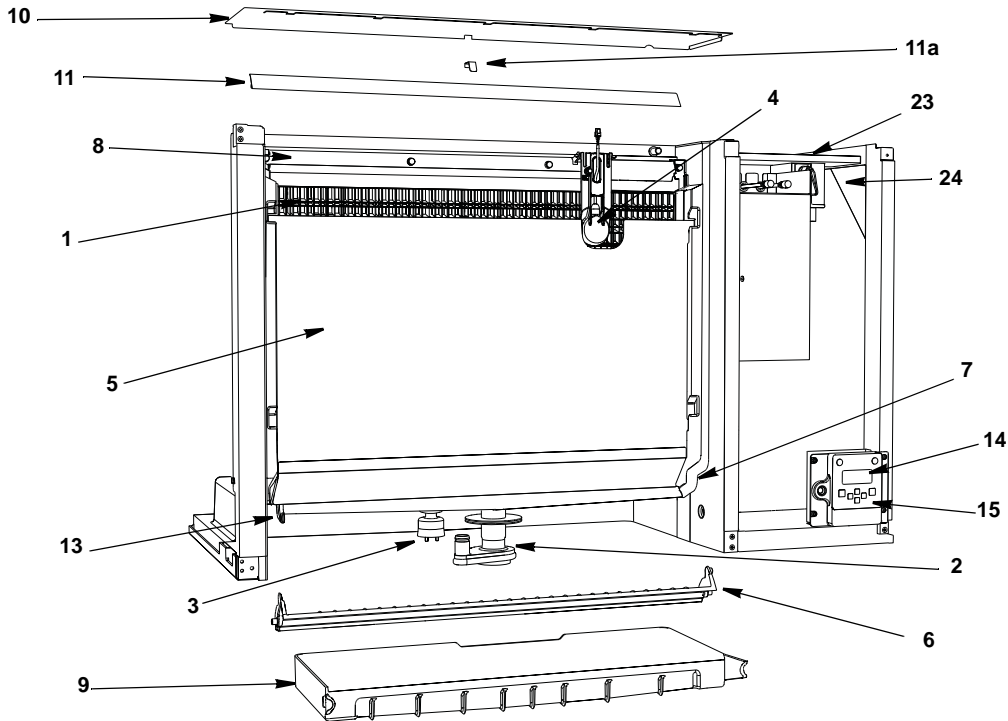
i1800 CONTROL BOX



DESCRIPTION

	DESCRIPTION		PART NO.
1	Control Board (for use with all voltages)		000008309
	a. 8 amp Ceramic Fuse – Mounted on Control Board		000009181
2	Contactors		
	a. 208-230V/60 Hz/1ph		20-0908-9
	b. 208-230V/60 Hz/3ph		20-0661-9
	c. 230V/50 Hz/1ph		000010003
3	PTCR Compressor Starter		85-0491-3
4	Compressor Run Capacitor		
	a. 208-230V/60 Hz/1ph		000005488
	b. 208-230V/50 Hz/1ph		000005488
5	Refrigeration Service Valve Assembly	83-7325-3 & 83-7326-3	
6	Manifold Strainer		82-5357-9
	a. Bracket		605857-1
7	High Pressure Cut-out (Auto Reset)		20-0124-3
8	Fan Cycling Control		20-0127-3
	Miscellaneous – Brackets, Screws, etc.		
9	Control Box		000008279
10	Control Box Cover		000007574
11	Control Board Mounting Bracket		000007564
12	Control Board Mounting Supports		43-0225-3
13	PTCR Compressor Starter Mounting Bracket		85-0495-3
14	Capacitor Mounting Bracket		603313-1
15	Screws, #10-24 x 0.50 Ground		52-0216-9
	a. Star Washer		55-7320-9
16	Screw, #10-24 x 0.50		52-0206-9
17	Lockwashers		55-7320-9
18	Control Box Bushings		
	a. Large (1)		25-0001-9
	b. Small (4)		25-0140-9
19	Control Box Wiring Harness (Not shown)		
	a. 230/60/1		000007752
	b. 230/60/3		20-0897-9
	c. 230/50/1		000007753
	d. 460/60/3		000008020
20	Compressor Compartment Wiring Harness (Not shown)		
	a. Air-cooled		000008257
	b. Water-cooled		000008258
	c. Remote-cooled		000008259
21	Electrical Noise Filter Wiring Harness		
	a. 460/60/3		000005500

i1800 EVAPORATOR COMPARTMENT - COMMON COMPONENTS

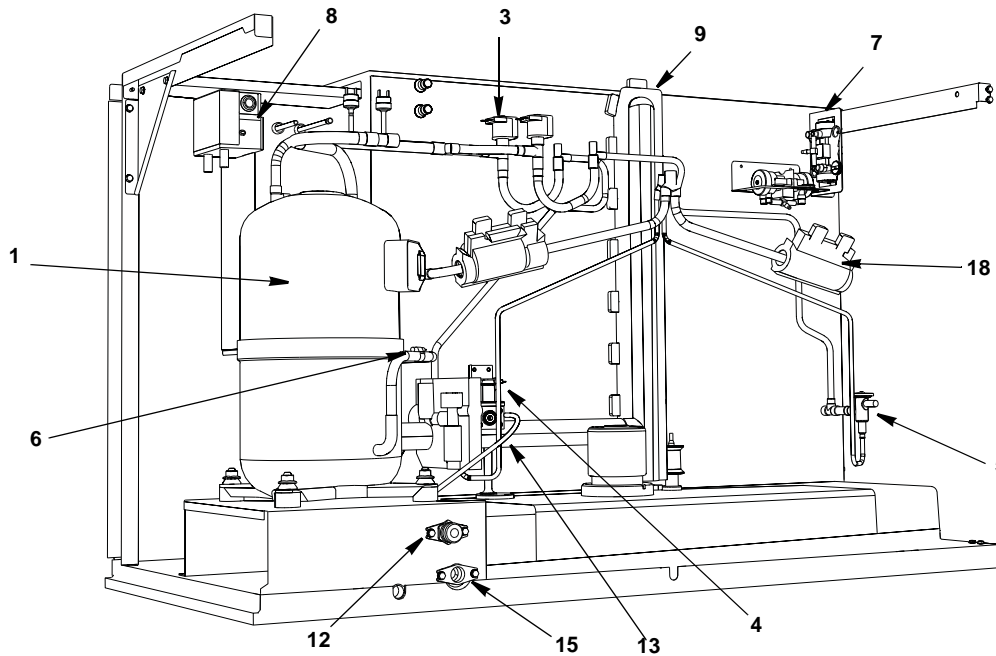


DESCRIPTION

PART NO.

1	Evaporator Assembly	
	a. Dice Cube	
	b. Half Dice Cube	
	c. Regular Cube	
2	Water Pump	
	a. 230V/60 Hz 1/3PH	82-5270-9
	b. 230/50/1	00000259
3	Water Level Probe.	000007052
	a. Wire, control box to probe (Not shown).	000007724
	b. Holder	000007053
	c. Screw (Mount Water Level Probe Holder)	52-0209-9
4	Ice Thickness Control Probe.	000008660
5	Splash Shield Assembly	
6	Ice Damper Assembly.	000008110
7	Magnetic Bin Switch.	000007888
	a. Wiring Harness	000007410
8	Water Distribution Tube Assembly	76-0319-3
	a. O-Rings (Back of Distribution Assembly)	50-0464-9
9	Water Trough	000009112
10	Foodzone Seal Panel	000008253
11	Evaporator Top Filler Panel	000008805
	a. Stainless Steel Clamp	606333-9
	b. Clamp Screw.	52-0209-9
12	Evaporator Top Frame Assembly	
13	Evaporator Bottom Frame Assembly	
14	LCD Display	000006728
15	Touch Pad with Housing	000007926
16	LCD Wiring Harness (Not shown).	000007737
17	Touch Pad/Housing Mounting Bracket	000008091
18	Front Panel LCD Frame	
	a. With Key Guard.	000008090
	b. Without Key Guard	000008089
	c. Display Cover (hides the display completely)	K00433
Miscellaneous – Brackets, Screws, etc.		
19	Screw, (Water Distribution Tube Mounting) Each	50-0479-9
	a. O-Ring.	50-0462-9
20	Screw, #12-16 x 0.687 Used to Mount Evaporator (Each)	50-0461-9
21	Water Pump Base O-Ring	50-0465-9
22	Water Pump Outlet O-Ring.	50-0467-9
23	Support Bracket	000008710
24	Angled Support Bracket	000008712

i1800 REFRIGERATION COMPARTMENT – COMMON PARTS

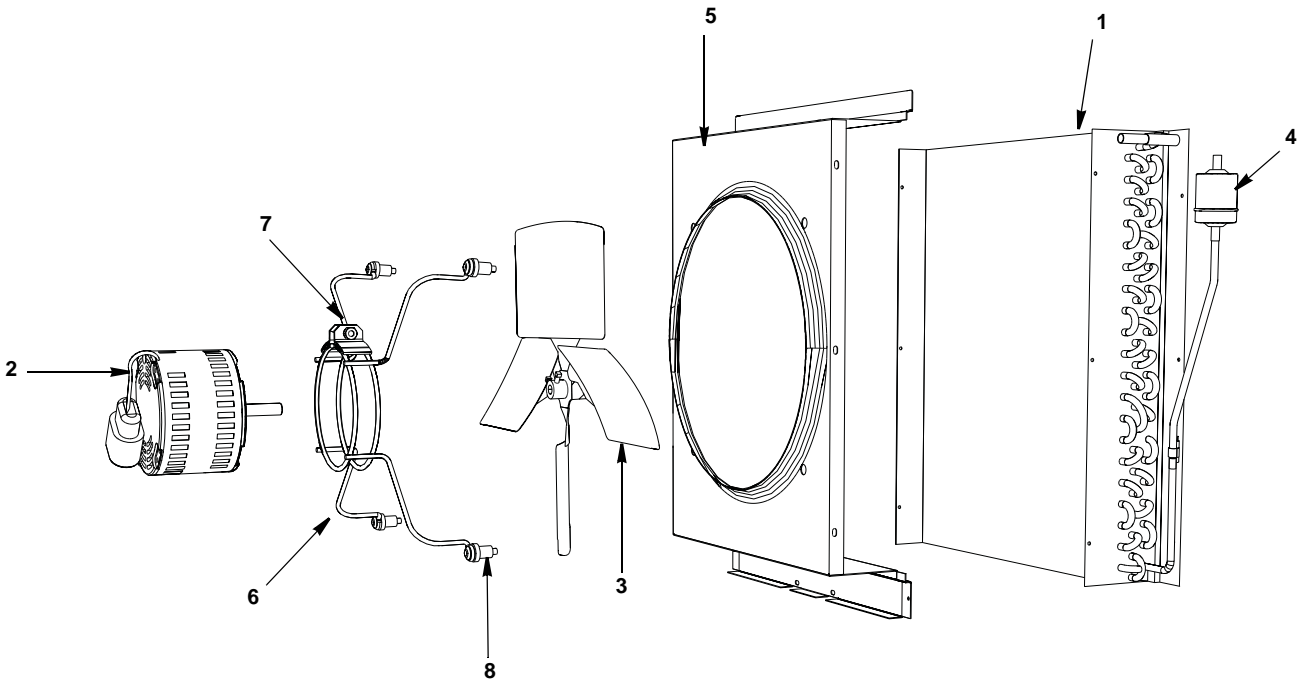


DESCRIPTION

PART NO.

1 Compressor	
a. 208-230V/60 Hz/1 Ph	000008445
b. 208-230V/60 Hz/3 Ph	000008446
c. 230V/50 Hz/1 Ph	000008447
d. 460V/60 Hz/3 Ph	000008448
e. Molded Plug	000005176
2 Water Dump Valve (with bracket)	
a. Dump Valve, 208-230V/50-60 Hz	000001768
b. Mounting Bracket	605845-9
c. Dump Valve Tubing 3.25 inches	44-2038-3
3 Harvest Valve	
a. Harvest Valve Including 208/230V 50/60 Hz Electrical Coil	000007017
b. Harvest Valve 208/230V Coil Only (Danfoss)	000005157
4 Water Inlet Valve	
a. Water Inlet Valve Including 208-230V/50-60 Hz Coil	000007966
b. Water Inlet Valve Bracket	000008582
5 Expansion Valve	
a. Expansion Valve Body Insulation Boot	76-0225-3
b. Expansion Valve Bulb Insulation Boot	40-1329-9
6 Thermistors with Spring Clips	
7 Air Assist	
a. 230V with brackets	000007223
b. Manifold Tee (Air Pump Tubing Outlet)	40-1173-9
c. Bracket	000006489
d. Nozzle	30-0145-3
8 LuminIce	
a. LuminIce Bulb	K00434
b. LuminIce Wiring Harness	K00425
c. Bulkhead Fitting 2.25"	000007409
d. Bulkhead Fitting 2.75"	000007990
9 Insulated Tube (vinyl tubing from distribution tube to water pump & dump valve)	
a. Clamp 0.859/0.989 ID	000008269
b. Clamp 0.799/0.899 ID	000003409
10 Vinyl Tubing 0.625 ID (dump valve to drain adapter)	
a. Insulation	56-5060-9
b. Clamp	56-5070-9
11 Heat Exchanger	
	000001382
	603883-1
	56-5070-9
	000009316
Miscellaneous – Brackets, Screws, etc.	
12 Water Inlet Wing Adapter	
a. Adapter Plastic Fitting	87-0609-3
13 Water Inlet Valve Tubing	
	13-6096-1
14 Connector Water Inlet Valve	
	40-1043-9
15 Water Drain Wing Adapter	
	13-6098-9
16 Compressor Mounting	
a. Base	87-0613-3
b. Rubber Grommet	
c. Sleeve	606590-9
d. Bolt	+ 85-0306-9
e. Nut	85-0394-9
17 Clamp, Expansion Valve Bulb	
	50-0481-9
18 Copper Bulb Strap	
	50-0482-9
19 Screw, #10-24 x .50	
	56-5052-9
	30-0050-3
	52-0206-9

i1800 REFRIGERATION COMPARTMENT – AIR-COOLED



DESCRIPTION

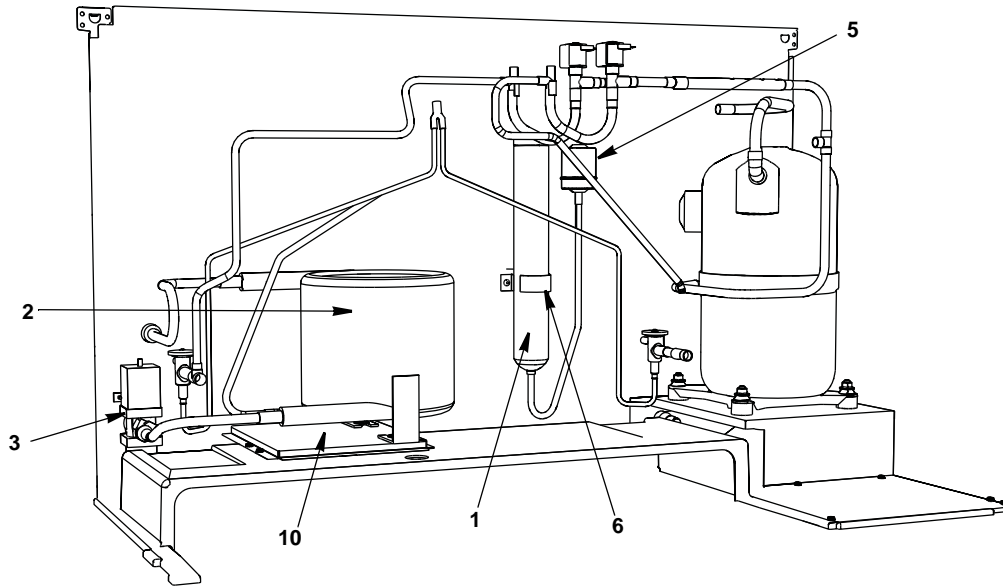
	DESCRIPTION		PART NO.
1	Air Condenser		88-5129-3
2	Fan Motor (208-230V/60 Hz or 230V/50 Hz)		76-2673-3
3	Fan Blade		24-1611-3
4	Drier		89-3027-9

Miscellaneous – Brackets, Screws, etc.

5	Fan Shroud		606597-9
6	Fan Motor Bracket		30-0682-3
7	Fan Motor Mounting		
	a. Screw	†	50-3358-9
	b. Lockwasher	†	55-4510-9
	c. Hexnut	†	54-2952-9
8	Fan Bracket Mounting		
	a. Screw		50-3238-9
	b. Lockwasher	†	55-4510-9
	c. Flatwasher	†	55-7305-9
	d. Rubber Wellnut	†	54-2955-9
9	Screw, #10-24 x .50	†	52-0206-9

† Refer to Cross Reference Guide

i1800 REFRIGERATION COMPARTMENT – WATER-COOLED



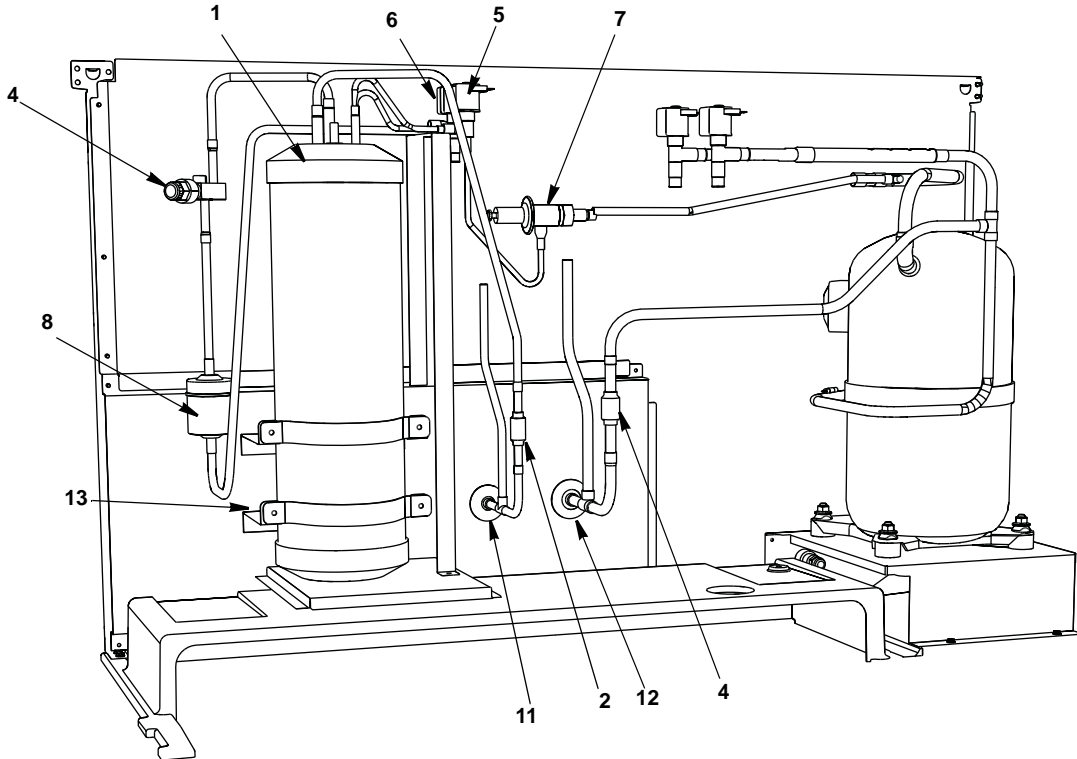
DESCRIPTION

DESCRIPTION	PART NO.
1 Receiver	76-2092-3
2 Water-cooled Condenser	000001508
3 Water Regulating Valve	83-7212-3
4 Condenser Water Drain Female Wing Adapter	87-0608-3
5 Drier	89-3027-9

Miscellaneous – Brackets, Screws, etc.

6 Receiver Strap	600054-1
7 Elbow .50 MF x .375 MPT	50-0224-9
8 Screw, #10-24 x .50	52-0206-9
9 Washer	55-7341-9
10 Base, Water Condenser/Receiver	606684-9

i1800 REFRIGERATION COMPARTMENT – REMOTE

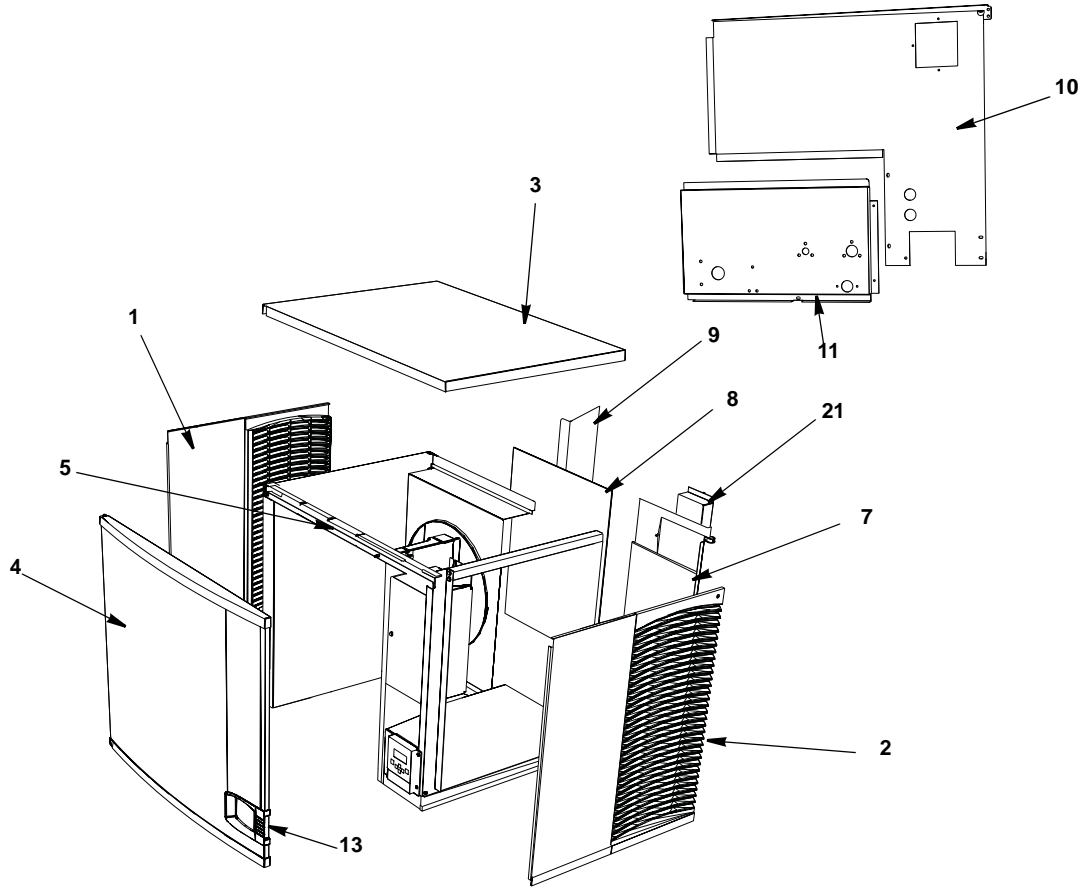


DESCRIPTION

	DESCRIPTION		PART NO.
1	Receiver		76-2958-3
2	Magni-Check Valve	†	83-7314-9
3	Check Valve	†	83-7315-9
4	Refrigeration Service Valve	†	83-7316-9
	a. Cap for Refrigeration Service Valve		56-5075-9
5	Harvest Pressure Regulating Solenoid (HPR) Valve		
	a. HPR Valve Including 208/230V 50/60 Hz Electrical Coil (Danfoss)		000007034
	b. HPR Valve 208/230V 50/60 Hz Coil Only Danfoss		000005157
6	Liquid Line Solenoid (LLS) Valve		
	a. LLS Valve Including 208/230V 50/60 Hz Electrical Coil (Danfoss)		000007026
	b. LLS Valve 208/230V 50/60 Hz Coil Only Danfoss		000005157
7	Harvest Pressure Regulating Valve (HPR)	†	83-6779-3
8	Drier		89-3027-9
9	Coupling – Male, 5/8-18	†	83-6034-3
10	Coupling – Male, 1-1/6-12	†	83-6035-3
Miscellaneous – Brackets, Screws, etc.			
11	Coupling Mounting Flange for 5/8-18		83-6005-3
12	Coupling Mounting Flange for 1-1/16-12		83-6006-3
13	Receiver Mounting		
	a. Bracket		600056-1
	b. Strap		630721-4
	c. Support Bracket		000006704
	d. Base		606684-9
	e. Screw, #10-24 x .50	†	52-0206-9

† Refer to Cross Reference Guide

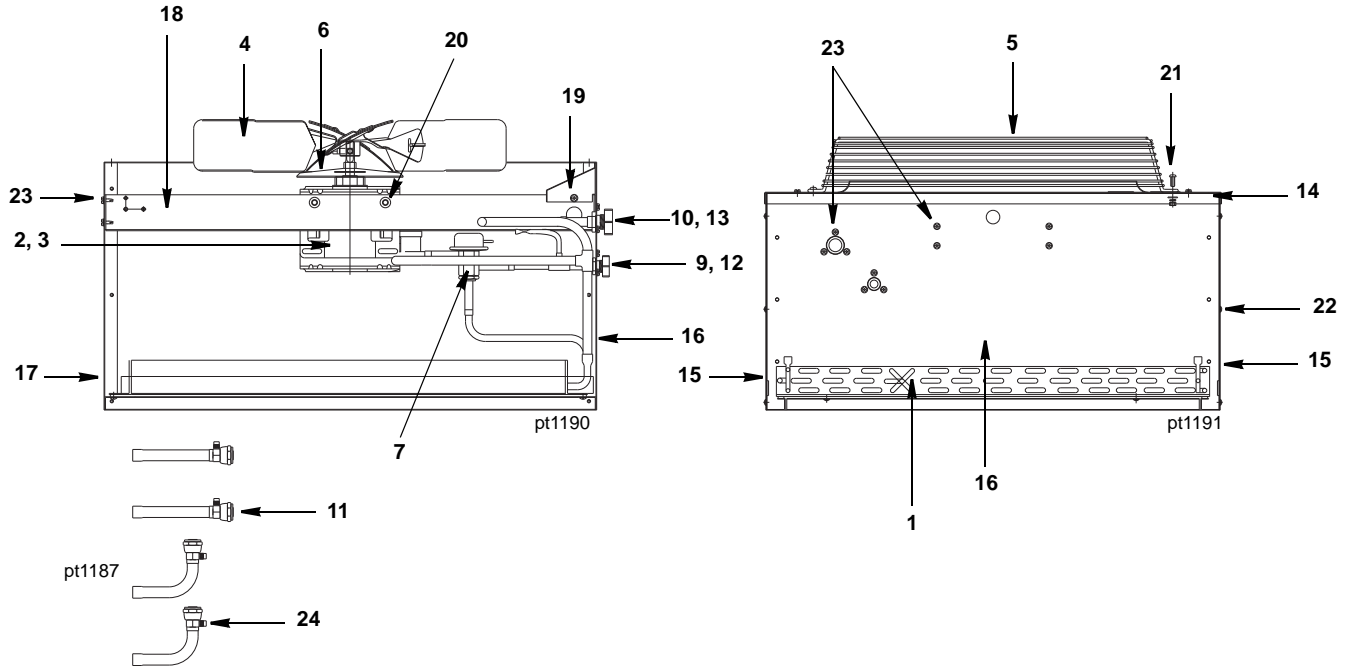
i1800 PANELS



DESCRIPTION

	DESCRIPTION	PART NO.
1	Left Side Panel	000005239
2	Right Side Panel	000005237
3	Top Cover	000008537
	a. Bracket	000009932
4	Front Panel Assembly	000008080
	a. Top Endcap	000008082
	b. Bottom Endcap	000008083
5	Front Top Support	000008263
	Cover	000009113
	Mounting Screw Left Side 8-32 x 1	50-0537-9
	Mounting Screw Right Side 10-24 x 0.50	50-0509-9
6	Back Coupling Panel, Drain/Water Connection (Compressor Base)	606590-9
Air-Cooled Back Panels		
7	Back Panel with Electrical Connection Box, Air-cooled Models	000008267
8	Air Filter	40-4025-3
9	Air Baffle Assembly	000007678
Water-Cooled & Remote Air-Cooled Back Panels		
10	Back Panel with Electrical Connection Box,	606714-9
11	Back Coupling Panel, Water-Cooled/Remote Connections	606682-9
12	Drain Fitting	87-0608-3
Miscellaneous – Brackets, Screws, etc.		
13	Front Panel LCD Frame	
	a. With Key Guard	000008090
	b. Without Key Guard	000008089
	c. Display Cover (hides the display completely)	K00433
14	Front Panel Screw	50-0489-9
15	Bottom Door Frame	000008978
	a. Mounting Screw Left Side 8-32 x 1 PHIL	50-0537-9
	b. Mounting Screw Right Side 10/24 x 0.50 PHIL	52-0209-9
16	Front Panel Mounting Bracket	000007900
	a. Mounting Screw 8-32 x 0.50 Phil	50-2673-9
17	Left Corner Post - Back	606599-9
18	Left Top Channel	606864-9
19	Right Corner Post - Front	000008717
20	Right Top Channel	000008715
21	Electrical Box on Rear of Ice Machine	
	a. Box	606728-9
	b. Box Cover	606729-9
	c. Terminal Block 3 Pole	20-0614-3
	d. Groundscrew #10-24 x 0.50	52-0216-9

JC1395 Remote Condenser



DESCRIPTION

	DESCRIPTION	PART NO.
1	Air Condenser	† 88-5062-9
2	Fan Motor (208-230V 50/60 Hz/1 Ph)	† 76-2941-3
3	Fan Motor Run Capacitor (Emerson)	85-0458-3
4	Fan Blade	24-1611-3
5	Fan Guard	34-0064-3
6	Rain Slinger	24-1505-3
7	Head Pressure Control	000002369
8	Fan Cycle Control	000007580
9	Coupling – Male, 5/8-18	† 83-6034-3
10	Coupling – Male, 1-1/6-12	† 83-6035-3
11	Female Line Set Coupling Kit (Sold as Finished Goods Sales Kit)	Sales K0129

Miscellaneous – Brackets, Screws, etc.

12	Coupling Mounting Flange (for 5/8-18)	83-6005-3
13	Coupling Mounting Flange (for 1-1/16-12)	83-6006-3
14	Top Cover	† 601775-1
15	Panel – Side	† 601774-1
16	Panel – Rear	† 601773-1
17	Panel – Front	† 601772-1
18	Fan Motor Mounting Bracket	† 601768-1
19	Electrical Box Cover	† 601776-1
20	Fan Motor Mounting Screw (5/16-18 x 5/8)	† 50-3565-9
a.	Fan Motor Mounting Flatwasher	† 55-7309-9
b.	Fan Motor Mounting Lockwasher	† 55-7313-9
c.	Fan Motor Mounting Hexnut	54-2975-9
21	Fan Guard Mounting Screw (1/4-20 x 5/8)	† 50-3345-9
a.	Fan Guard Mounting Flatwasher	† 55-7304-9
b.	Fan Guard Mounting Lockwasher	† 55-4511-9
c.	Fan Guard Mounting Hexnut	† 54-2952-9
22	Panel/Condenser Mounting Screw (#8 x 1/2)	† 51-2153-9
a.	Panel/Condenser Mounting Lockwasher	† 55-4459-9
23	Screw (#10-24 x 1/2)	† 52-0206-9
24	Valve Cores (used in linesets)	76-2684-3
25	Legs (Not shown)	† 601769-1

INTENTIONALLY LEFT BLANK