

## ES Series 270 Ice Cube Machine

Model:  ES0272A-251Z



ES-270

- Up to 123 kgs. (270.93 lbs.) daily ice production
- 45 kgs. (99.20 lbs.) ice storage capacity
- Only 26.00" (76.00 cm) wide, 28.40" (72.00 cm) deep, and 38.60" (98.00 cm) high on"(15.24 cm) legs
- R-404A CFC-free refrigerant
- Front air intake and exhaust
- Stainless steel exterior with the fit and finish of an appliance
- Easy access door, slides up and out of the way
- Easy access air filter designed for longer operation in greasy and dusty environments
- Cleaning and sanitizing technology
- Storage bin liner is fabricated by rotational molding with polyethylene, no seamless and better insulation for ice storage
- CFC-free polyurethane foaming technology, better insulation for refrigeration efficiency
- Apply the system of control board plus float valve and ice thickness probe, improve the reliability and longevity of ice machine

### Warranty

- 1-Year parts and 1-year labor

### Ice Machine Electric

220-240/50/1 standard  
Power: 858W  
Total ampacity: 6.0 amps.  
Maximum fuse size: 15 amps.

### Specifications

**BTU Per Hour:**  
3,800 (average) 60,00 (peak)

**Compressor:**  
Nominal rating: 5/8 HP

### Operating Limits:

- Ambient Temperature Range: 10°C to 40°C
- Water Temperature Range: 10°C to 32°C
- Water Pressure Ice Maker Water In: Min. 140 kPa Max. 560 kPa

### Cube Size Available



**Dice**  
7/8" X 7/8" X 7/8"  
2.22 X 2.22 X 2.22 (cm)

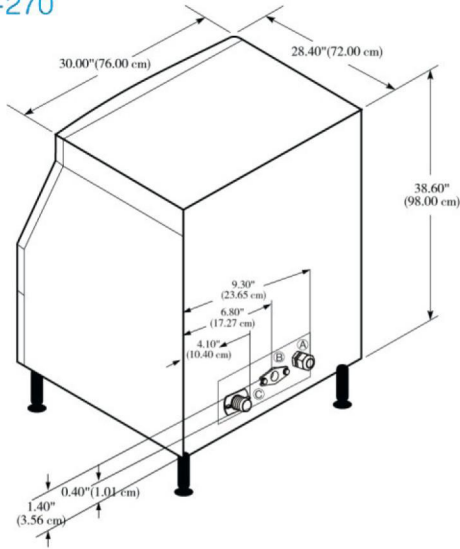


# KOOLAIRE

By  MANITOWOC

## ES Series 270 Ice Cube Machine

### ES-270



- Ⓐ Electrical Entrance
- Ⓑ 1/2" (1.27cm) NPT Ice Making Water Inlet
- Ⓒ 7/8" (2.22cm) BARBED Ice Making Water Drain/Bin Drain

Installation Note - Minimum installation clearance:  
Top/sides/back: 12.7cm

### Space-Saving Designs ES-270



Height	38.60" 98.00 cm
Width	30.00" 76.00 cm
Depth	28.40" 72.00 cm
Bin Storage	99.20lbs. 45 kgs.

### 24 - Hour Production (kgs.)

Air-Cooled Units			
Air Temp	Water Temp		
°C	10°	21°	32°
10°	123		
21°	118		
32°		98	
40°			74

Model	Ice Shape	Ice Production 24 Hours		Power Usage kWh/100 lbs. of ice	Water Usage /100 lbs. of ice
		lbs.	kgs.		
ES0272A-251Z	dice	216	98	10	110.9L

Test condition: 32°C Air/21°C Water

### Air Flow Front View



Air in right, air out left, no side vents.

### Air Filter



Slides out from right side front without tools, easy to clean, reusable filter protects condenser from grease and dust.

### Easy Access Door



Easy access door, slides up and out of the way.

Manitowoc (China) Foodservice Co.,Ltd.  
151 Jianye Road, Binjiang District  
Hangzhou, China 310052

Tel: 86.571.86626680  
Fax: 86.571.86622353

www.welbilt.cn

