

ES Series 170 Ice Cube Machine

Model: ES0172A-251Z



ES-170

- Up to 82 kgs. (180.62 lbs.) daily ice production
- 36 kgs. (79.40 lbs.) ice storage capacity
- Only 26.00" (66.00 cm) wide, 26.40" (67.00 cm) deep, and 38.60" (98.00 cm) high on 15.24 cm legs
- R-404A CFC-free refrigerant
- Front air intake and exhaust
- Stainless steel exterior with the fit and finish of an appliance
- Easy access door, slides up and out of the way
- Easy access air filter designed for longer operation in greasy and dusty environments
- Cleaning and sanitizing technology
- Storage bin liner is fabricated by rotational molding with polyethylene, no seamless and better insulation for ice storage
- CFC-free polyurethane foaming technology, better insulation for refrigeration efficiency
- Apply the system of control board plus float valve and ice thickness probe, improve the reliability and longevity of ice machine

Warranty

- 1- Year parts and 1-year labor

Ice Machine Electric

220-240/50/1 standard
Power: 537W
Total ampacity: 4.6 amps.
Maximum fuse size: 15 amps.

Specifications

BTU Per Hour:
2,400 (average) 32,00 (peak)

Compressor:
Nominal rating: 1/3 HP

Operating Limits:

- Ambient Temperature Range: 10°C to 40°C
- Water Temperature Range: 10°C to 32°C
- Water Pressure Ice Maker Water In: Min. 140 kPa Max. 560 kPa

Cube Size Available



Dice
7/8" X 7/8" X 7/8"
2.22 X 2.22 X 2.22 (cm)

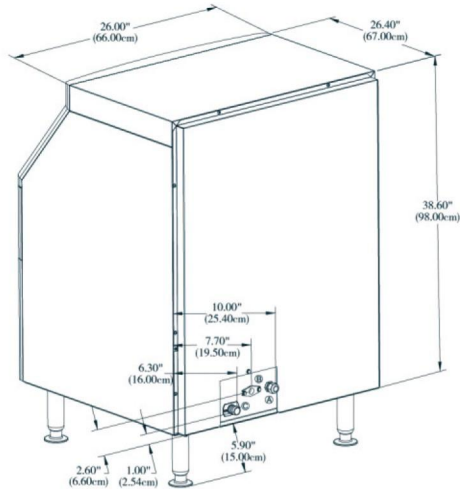


KOOLAIRE

By  MANITOWOC

ES Series 170 Ice Cube Machine

ES-170



- (A) Electrical Entrance
- (B) 1/2" (1.27cm) NPT Ice Making Water Inlet
- (C) 7/8" (2.22cm) BARBED Ice Making Water Drain/Bin Drain

Installation Note - Minimum installation clearance:
Top/sides/back: 12.7cm

Space-Saving Designs ES-170



Height	38.60" 98.00 cm
Width	26.00" 66.00 cm
Depth	26.40" 67.00 cm
Bin Storage	79.40lbs. 36 kgs.

24 - Hour Production (kgs.)

Air-Cooled Units			
Air Temp	Water Temp		
°C	10°	21°	32°
10°	82		
21°	78		
32°	63		
40°	45		

Model	Ice Shape	Ice Production 24 Hours		Power Usage kWh/100 lbs. of ice	Water Usage /100 lbs. of ice
		lbs.	kgs.		
ES0172A-251Z	dice	139	63	10	107.8L

Test condition: 32°C Air/21°C Water

Air Flow Front View



Air in left, air out right, no side vents.

Air Filter



Slides out from left side front without tools, easy to clean, reusable filter protects condenser from grease and dust.

Easy Access Door



Easy access door, slides up and out of the way.

Manitowoc (China) Foodservice Co.,Ltd.
151 Jianye Road, Binjiang District
Hangzhou, China 310052

Tel: 86.571.86626680
Fax: 86.571.86622353

www.welbilt.cn

