



Ice Machine Parts List for Series B1800 Models

BR1800A

BD1892N

BR1801W

BY1804A

BR1890N

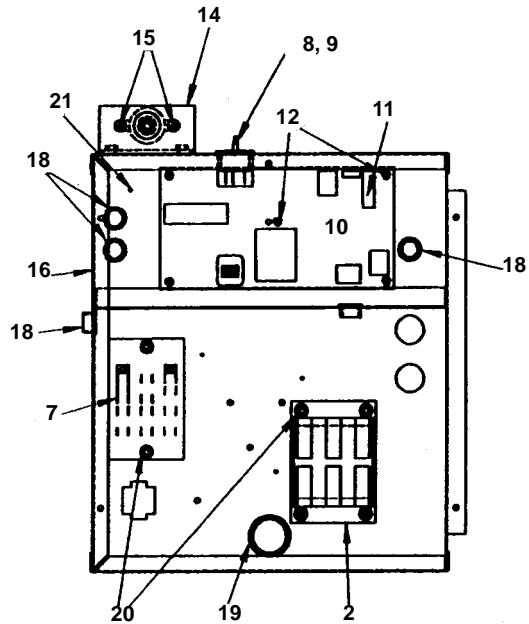
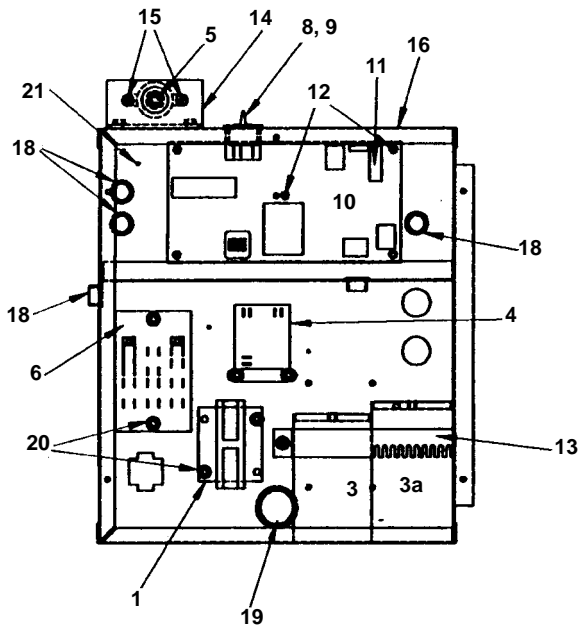
BY1805W

BD1802A

BY1894N

BD1803W

B1800 CONTROL BOX



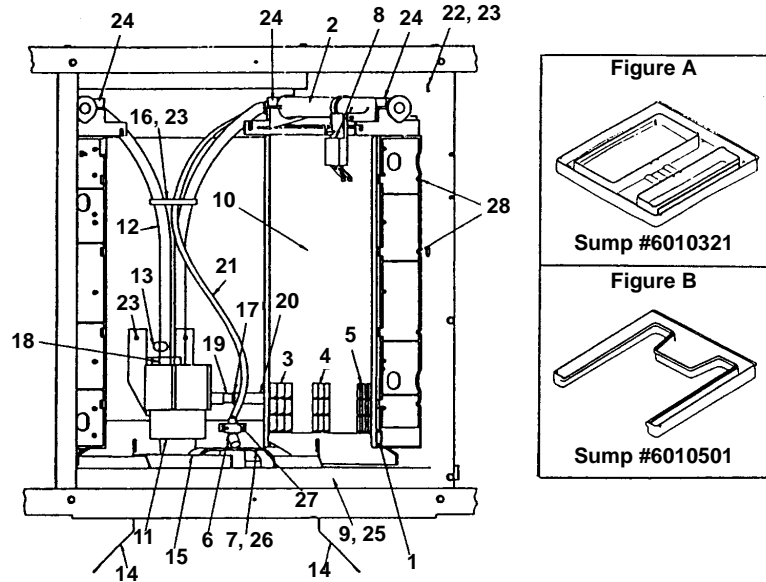
1331

DESCRIPTION

DESCRIPTION	PART NO.
1 Contactor For 1 phase units	No Longer Available
2 Contactor For 3 phase units	2006619
3 Run Capacitor For Bristol	† 000000028
3 Run Capacitor For Tecumseh	000001395
3a Start Capacitor For Bristol	No Longer Available
3 Start Capacitor For Tecumseh	8505523
4 Start Relay For Bristol	No Longer Available
4 Start Relay For Tecumseh	2007519
5 High Pressure Cut-out	† 2355369
6 Terminal Board With Harness, 1 phase	No Longer Available
7 Terminal Board With Harness, 3 phase	2031413
8 Toggle Switch	2301343
9 Toggle Switch With Wiring Harness	† 2031059
10 Control Board (For use with all voltages)	† 7628003
11 Fuse For Control Board, 7 Amp	2511003
11 Mini-fuse For Control Board, 0.125 Amp*	† 2511169
12 Support For Control Board	4302253
13 Capacitor Bracket	No Longer Available
14 Mounting Bracket/High Press Control	No Longer Available
15 Screw, #8 x 3/4	† 5121669
16 Control Box	No Longer Available
17 Control Box Cover With Labels	No Longer Available
18 Bushing, 0.625"	† 2502189
19 Bushing, 1.187"	2500011
20 Screw, #10-24 x 0.50	† 5202069
21 Screw, #10-24 x 0.50	† 5202169

* See Page 9 for 50 Hz Applications

B1800 EVAPORATOR COMPARTMENT



1332

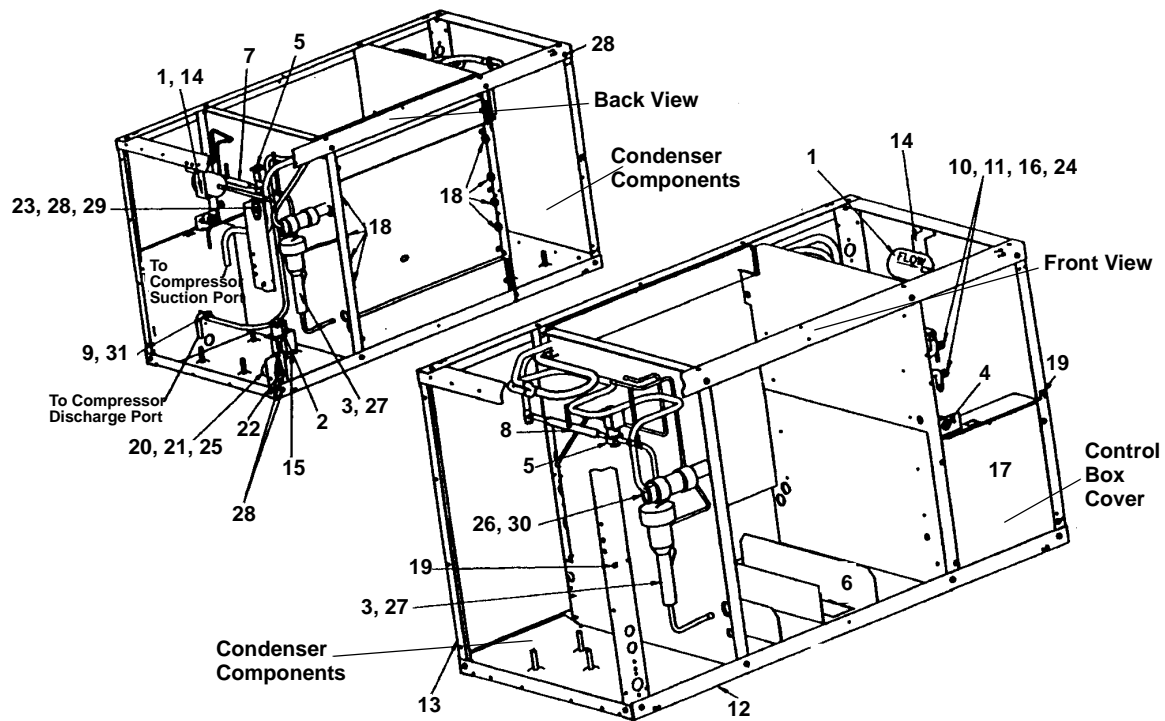
DESCRIPTION

DESCRIPTION	PART NO.
1 Bin Switch	† 2301483
2 Distribution Tube	† 7624983
3 Evaporator, Regular Cube, RH or LH	† 7625019
4 Evaporator, Dice Cube, RH or LH	† 7625029
5 Evaporator, Half Dice Cube, RH or LH	† 7625039
6 Float Valve	8369133
7 Float Valve Bracket Used With Figure A Sump Trough	No Longer Available
a. Float Valve Bracket Used With Figure B Sump Trough	† 7621403
8 Ice Thickness Control	† 7627813
9 Sump Trough (Up to SN 950460000, See Figure A)	† 6010321
9a Sump Trough (After SN 950460000, See Figure B)	6010501
10 Water Curtain	† 4004733
a. Water Curtain Hanger	7627763
b. Water Curtain Magnet And Clip	† 7628023
11 Water Pump*	† 7626013
12 Water Pump Discharge Tube	4420913
13 Water Pump Lead	2077743
14 Ice Baffle	No Longer Available
15 Ice Baffle Support Used With Figure A Sump Trough	No Longer Available
Ice Baffle Support Used With Figure B Sump Trough	No Longer Available
16 Loop Clamp 2.00" Diameter	No Longer Available
17 Clamp	† 5650709
18 Hose Clamp	† 5650539
19 Union Connector, White Nylon, Straight	8390053
a. Union Connector, 90 Degrees	8390123
20 Vinyl Tube, 0.625 ID	† 4420383
21 Poly Tubing, 1/4 OD	4420291
22 Nylon Spring Clip	† 5650699
23 Screw, #10-24 x 0.50	† 5202069
24 Thumbscrew, #8-32	† 5000013
25 Push-in Screw (Mounting sump trough)	† 5012279
26 Shield, Mylar Splash For Float	No Longer Available
27 Compression Nut	† 5650729
28 Screw for Mounting Evaporator	† 5202189
29 Water Curtain Stop	No Longer Available
30 Splash Shield	No Longer Available
31 Evaporator Gasket/Top Molding Assembly (Not shown)	7626213

* See Page 9 for 50 Hz Applications

† Refer to Cross Reference Guide

B1800 COMMON COMPRESSOR COMPARTMENT



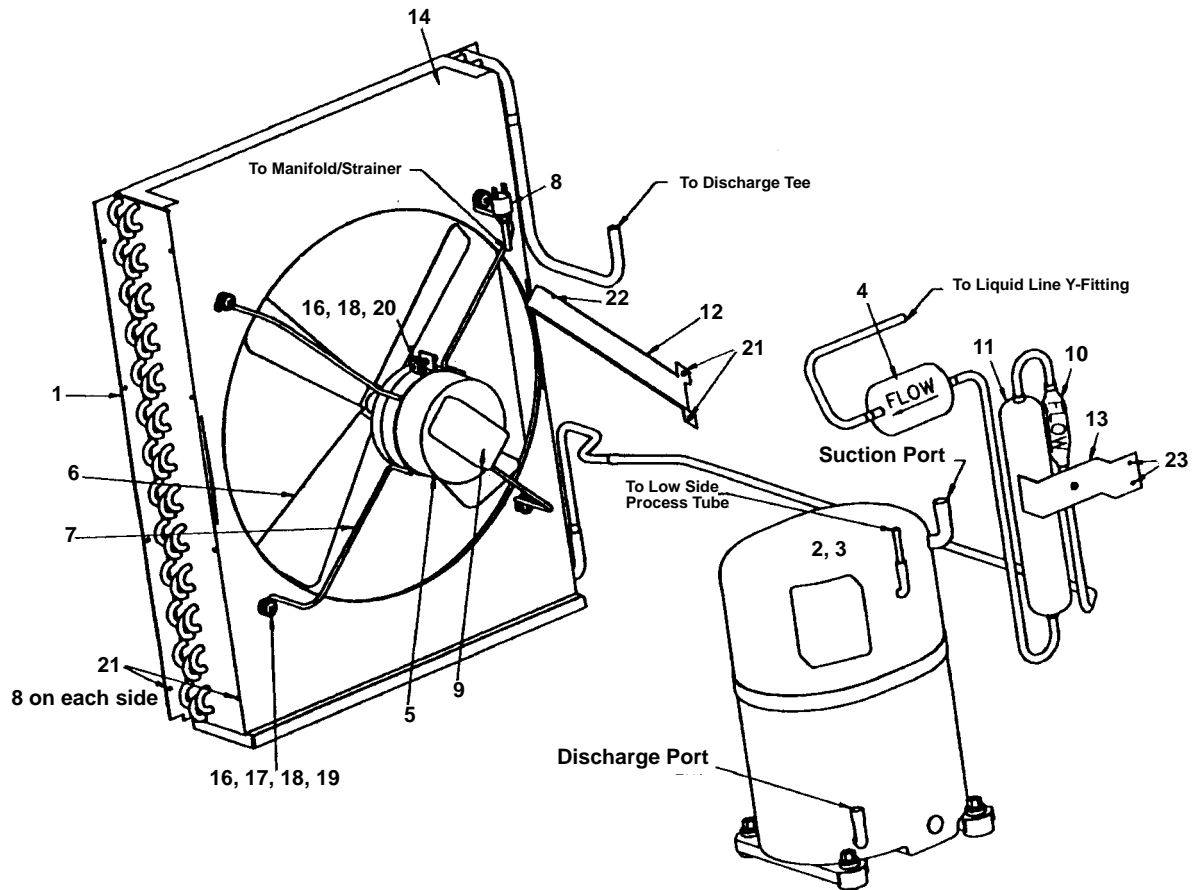
1333

DESCRIPTION

	PART NO.
1 Drier	† 8930279
2 Dump Valve, 208-230V	000001768
3 Expansion Valve	† 7627063
4 High Pressure Cut-out	† 2355369
5 Hot Gas Solenoid Valve 208-230V/50-60 Hz (Danfoss)	† 7630101
6 Ice Baffle Support Used With 6010321	No Longer Available
Ice Baffle Support Used With 6010501	No Longer Available
7 Manifold Strainer (Compressor side)	No Longer Available
8 Manifold Strainer (Condenser side)	No Longer Available
9 NTC Thermistor	2351163
10 Process Valve	† 8373109
11 Stem Assembly	No Longer Available
12 Angle, Top & Bottom, Fawn	No Longer Available
13 Cornerpost Weldment	No Longer Available
14 Bracket, Drier	No Longer Available
15 Bracket, Dump Valve	No Longer Available
16 Bracket, Service Valve	No Longer Available
17 Control Box Cover	No Longer Available
18 Bushing, 0.875	† 2501409
19 Cagenut, #8-32	† 5429109
20 Clamp	† 5650709
21 Copper Elbow, 5/8 x 5/8	No Longer Available
22 Drain Adapter, 1/2	1706021
23 Water Inlet Adapter	† 8706093
24 Hex Lock - Palnut	† 5475039
25 Molded Vinyl White Tube	No Longer Available
26 Neoprene Bulb Boot	4007203
27 Neoprene TXV Boot	4007213
28 Screw, #10-24 x 0.50	† 5202069
29 Union	1360961
30 Worm Drive Clamp	† 5650529
31 Worm Drive Clamp	5650843

† Refer to Cross Reference Guide

B1800 AIR-COOLED



1334

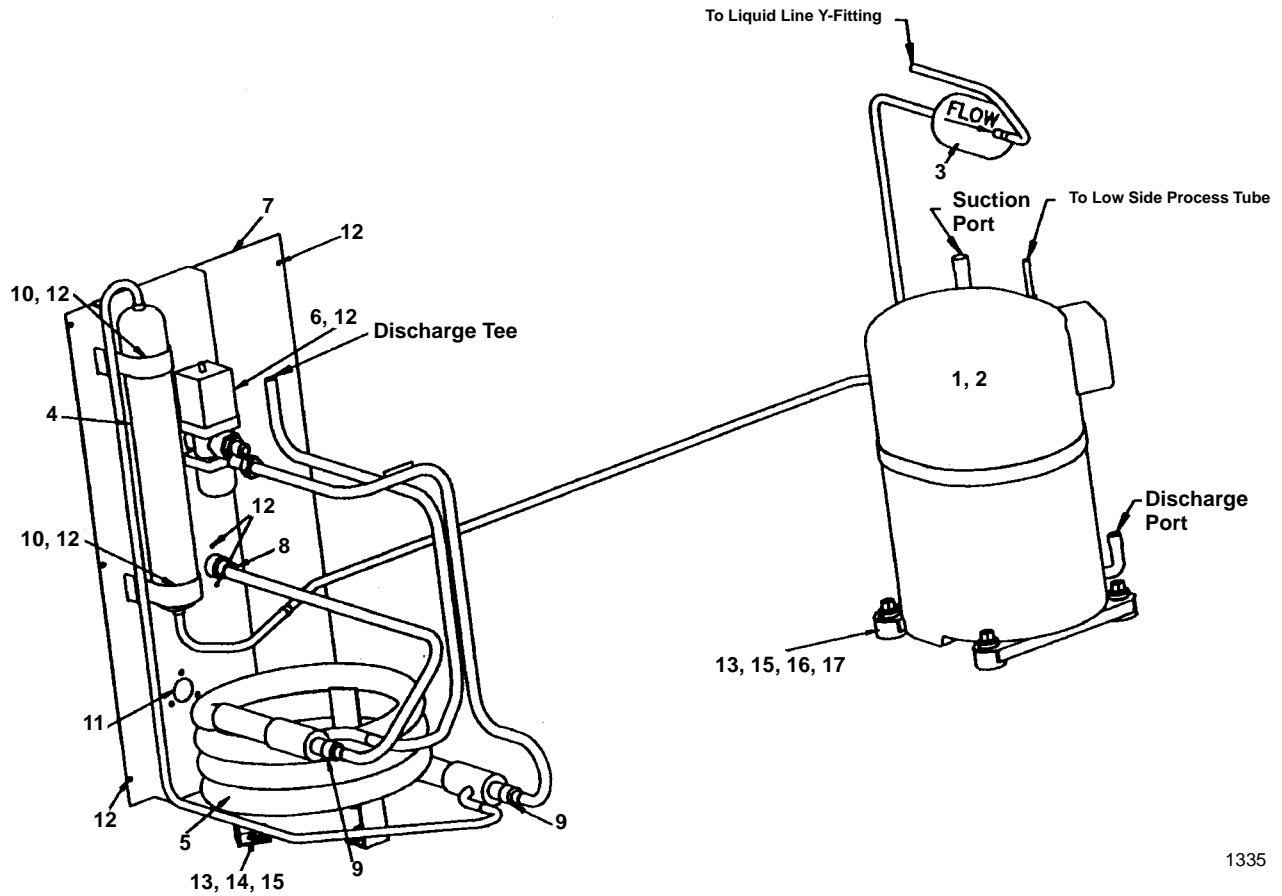
DESCRIPTION

DESCRIPTION	PART NO.
1 Air Condenser	8850923
2 Compressor Assembly, 230/60/1*	† 7628253
3 Compressor Assembly, 3 Phase*	† 7628263
4 Drier	† 8930279
5 Fan Motor, 230V, 50-60 Hz	† 7626733
6 Fan Blade	2416113
7 Fan Motor Mount	3006823
8 Fan Cycling Control	† 2001263
9 Capacitor for Fan Motor	8504583
10 Check Valve 0.375	† 8373149
11 Receiver	No Longer Available
12 Channel, Wire Cover	No Longer Available
13 Bracket	No Longer Available
14 Fan Shroud	No Longer Available
15 Air Filter (Not shown)	4040083
16 Screw, 0.25-20 x 1.25	† 5033589
17 Wellnut, 0.25-20	† 5429559
18 Lockwasher, 0.25 Split	† 5545109
19 Flatwasher	† 5573059
20 Hex Nut	† 5429529
21 Screw, #10-24 x 0.50	† 5202069
22 Screw, #10-24 x 0.50	† 5202169
23 Screw, #10-24 x 0.50	† 5202099

* See Page 9 for 50 Hz Applications

† Refer to Cross Reference Guide

B1800 WATER-COOLED



1335

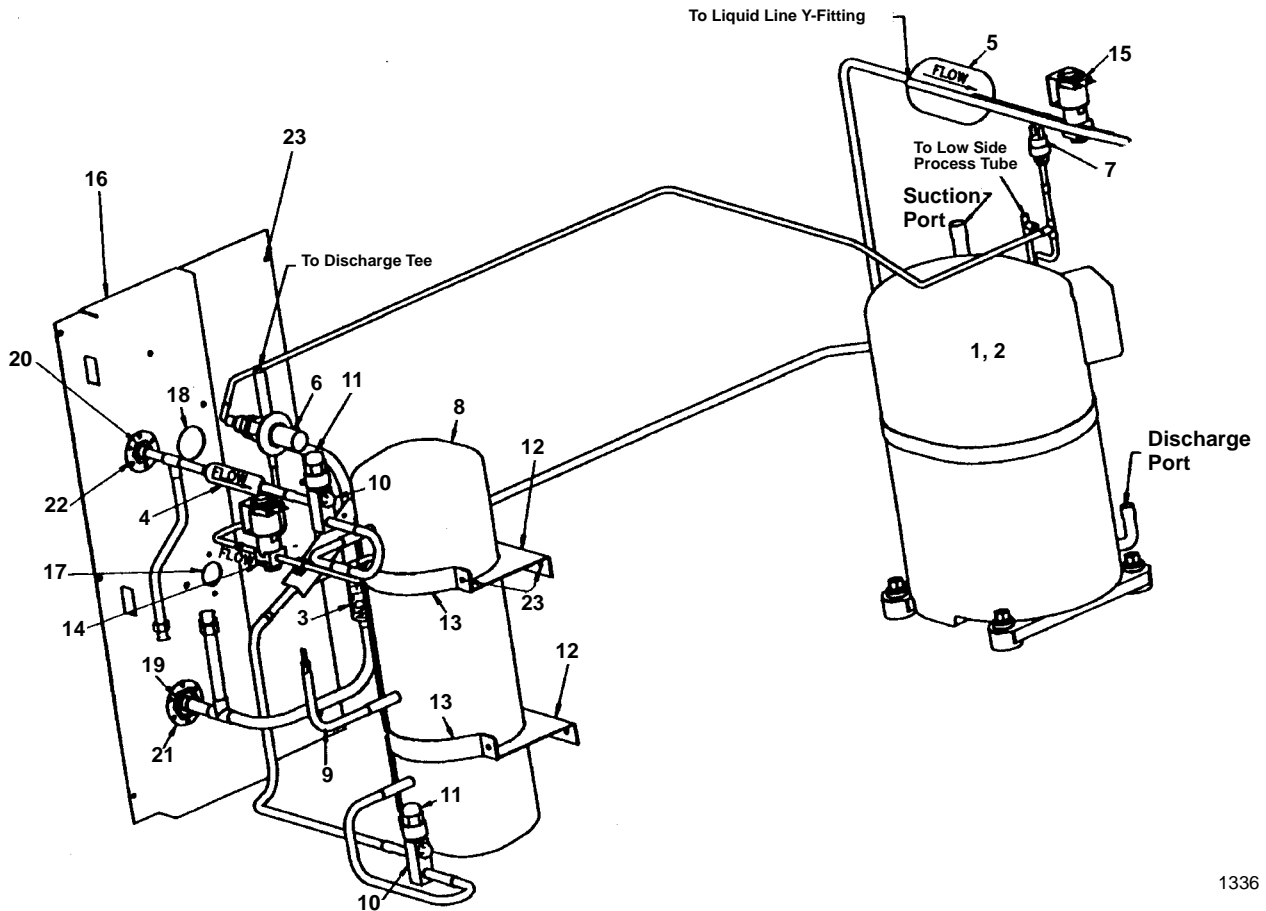
DESCRIPTION

	PART NO.
1 Compressor, 230/60/1*	† 7628253
2 Compressor, 3 Phase	† 7628263
3 Drier	† 8930279
4 Receiver	000008894
5 Water-cooled Condenser*	† 000001508
6 Water Regulating Valve	8372123
7 Panel - Remote & Water Couplings	No Longer Available
8 Female Wing Adapter, Condenser Drain	No Longer Available
9 Reducing Coupling 0.75 x 0.50.	No Longer Available
10 Receiver Strap	6000541
11 Hole Plug 1-1/16"	4301923
12 Screw, #10-24 x 0.50	† 5202069
13 Hex Nut #3/8 x 16.	† 5430029
14 Lockwasher 0.38.	† 5545149
15 Flatwasher 0.31	† 5573099
16 Mounting Grommet.	† 8503069
17 Sleeve	† 8503949

* See Page 9 for 50 Hz Applications

† Refer to Cross Reference Guide

B1800 REMOTE



1336

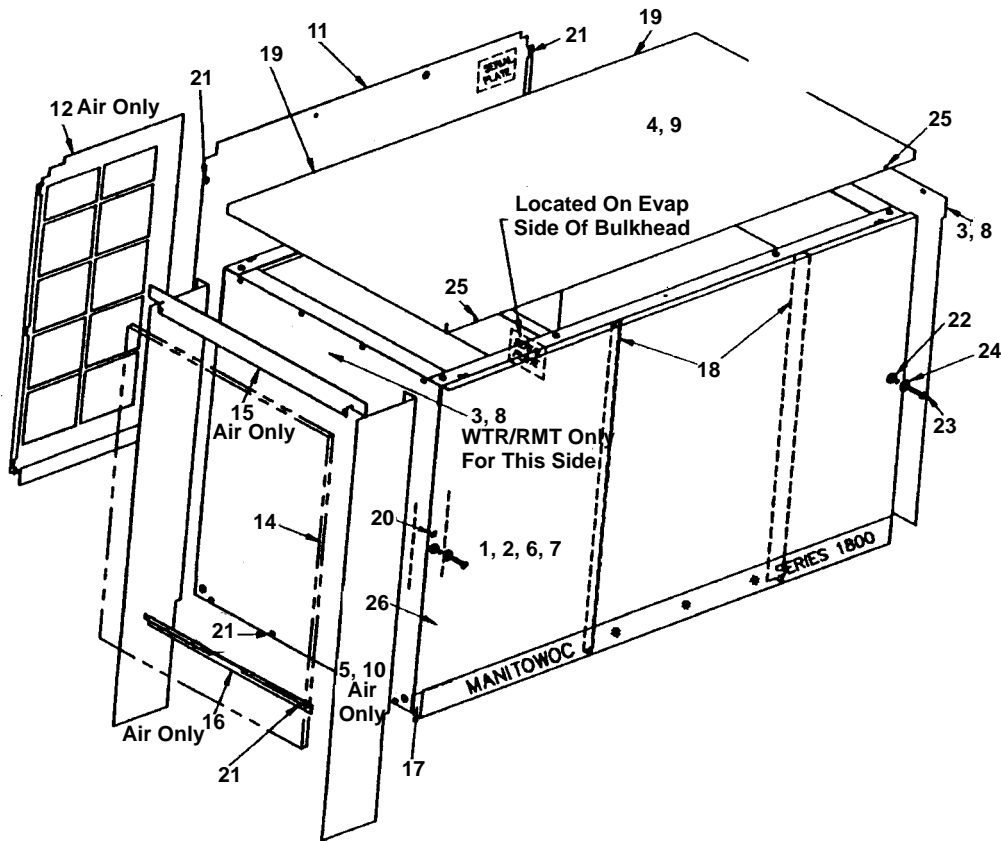
DESCRIPTION

DESCRIPTION	PART NO.
1 Compressor, 230/60/1*	† 7628253
2 Compressor, 3 Phase*	† 7628263
3 Check Valve	8373153
4 Magni-check Valve	† 8373149
5 Drier	† 8930279
6 HPR Valve 60 Hz*	† 8367793
7 Low Pressure Cut-out	† 2355409
8 Receiver	† 7629583
9 Receiver Safety Soft Plug	No Longer Available
10 Receiver Service Valve	† 8373169
11 Service Valve Cap	5650753
12 Receiver Mounting Bracket	6000561
13 Receiver Mounting Strap	6307214
14 Solenoid, HPR 208-230V/50-60 Hz (Danfoss)	† 7630061
15 Solenoid, Liquid Line	7630101
16 Panel, Remote Coupling	No Longer Available
17 Hole Plug 1-1/16"	4301923
18 Hole Plug 1.50"	No Longer Available
19 Male Coupling 1-1/16"-12.	† 8360353
20 Male Coupling 1-1/8"-12.	† 8360343
21 Mounting Flange	8360063
22 Mounting Flange	8360053
23 Screw, #10-24 x 0.50	† 5202069
24 Female Coupling Kit (On line set)	SALES K0129

* See Page 9 for 50 Hz Applications

† Refer to Cross Reference Guide

B1800 PANEL



1337

PART NO.

FAWN

1	Front Panel Assembly with Air Louvers	No Longer Available
2	Front Panel Assembly, Water and Remote	No Longer Available
3	Side Panels, RH or LH	No Longer Available
4	Top Cover	No Longer Available
5	Air Baffle	No Longer Available

STAINLESS STEEL

6	Front Panel Assembly with Air Louvers	No Longer Available
7	Front Panel Assembly, Water or Remote	No Longer Available
8	Side Panel, LH or RH	No Longer Available
9	Top Cover	No Longer Available
10	Air Baffle	No Longer Available

COMMON PARTS

11	Back Panel, Evaporator Side	No Longer Available
12	Back Panel, Air-cooled, Condenser Side	No Longer Available
13	Back Panel, Water and Remote	No Longer Available
14	Air Filter	4040083
15	Air Filter, Top Bracket	† 7626863
16	Air Filter, Bottom Bracket	† 7626863
17	Top and Bottom Frame Angle	No Longer Available
18	Angle, Front Panel	No Longer Available
19	Accordion Panel Clip	No Longer Available
20	Cagenut	† 5429109
21	Screw, #10-24 x 0.50	† 5202069
22	"O" Ring	† 3718199
23	Screw, #8-32 x 1.50	† 5026689
24	Washer, Flat Nylon	† 5573389
25	Screw, #10-24 x 0.50	† 5202099
26	Extruded Tape	† 9202509

B1800 ELECTRICAL APPLICATIONS

All parts are the same as 60 Hz Model with the following exceptions:

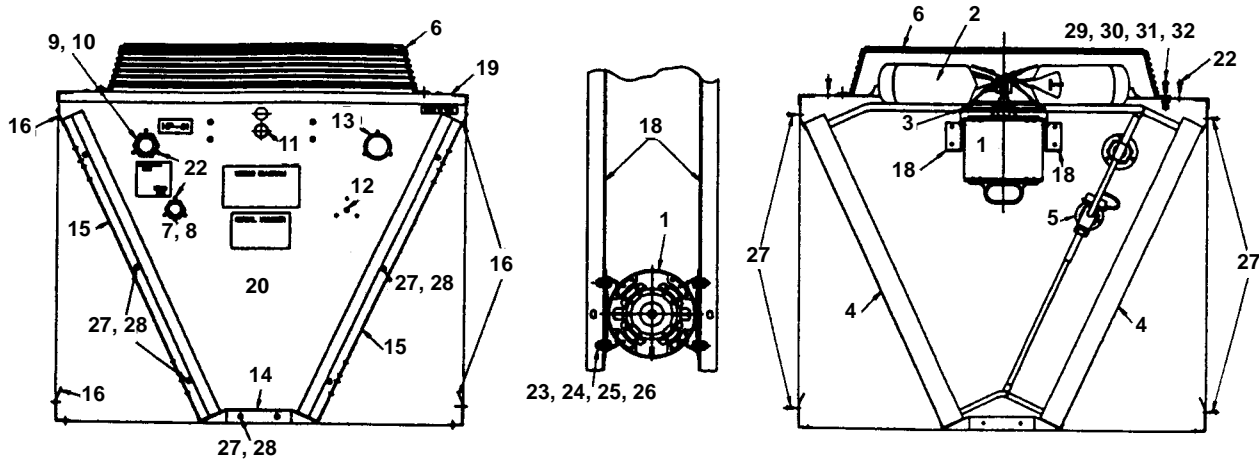
230V/50 Hz/1 Phase

	PART NO.
Compressor	† 7628273
Run Capacitor	† 2010133
Start Capacitor	† 8503163
Start Relay	No Longer Available
Water Pump	† 1480279
7 Amp Fuse for Control Board	2511003
0.1 Amp Mini-fuse for Control Board	2511053
Terminal Block	7628783
Terminal Board with Wiring Harness	No Longer Available
HPR Valve - Remote Systems	† 8367563
Water Condenser	8865207

415V/50 Hz/3 Phase

Compressor	No Longer Available
Water Pump	† 1480279
7 Amp Fuse for Control Board	2511003
0.1 Amp Mini-fuse for Control Board	2511053
Terminal Block	No Longer Available
Terminal Board with Wiring Harness	2031413
HPR Valve - Remote Systems	† 8367563

BC1895 REMOTE CONDENSER



1339

DESCRIPTION

DESCRIPTION	PART NO.
1 Fan Motor, 230V, 60 Hz	† 7629413
2 Fan Blade	2416113
3 Rain Slinger	2415053
4 Air Condenser (Uses 2)	8850623
5 Headmaster Control	000004070
6 Fan Guard	3400643
7 Male Coupling	† 8360343
8 Coupling Flange for 8360343	8360063
9 Male Coupling	† 8360353
10 Coupling Flange	8360053
11 Hole Plug for 7/8" Hole	4301463
12 Hole Plug for 0.625" Hole	4302643
13 Hole Plug for 1-1/16" Hole	4301923
14 Base	6017791
15 Condenser Mounting Angle	6017771
16 Support Bracket	† 6017781
17 Electrical Box Cover (Not shown)	† 6017761
18 Base Bracket for Mounting Fan	† 6017681
19 Top Cover	6017891
20 Front Panel	† 6017871
21 Back Panel (Not shown)	† 6017881
22 Screw, #10-24 x 0.50	† 5202069
23 Screw, 0.31-18 x 0.62 Hex Head	† 5035659
24 Nut, 0.31-18 Steel Hex Head	5429759
25 Washer, Flat 0.31 ID	† 5573099
26 Lockwasher, 0.31 Split	† 5573139
27 Screw, #8 x 0.50	† 5121539
28 Lockwasher, #8	† 5544599
29 Screw, 0.25 x 0.62	† 5033459
30 Lockwasher, 0.25 Split SS	† 5545119
31 Washer Flat, 0.25 SS	† 5573049
32 Nut, 0.25 Steel Hex	† 5429529
33 Female Coupling Kit	SALES K0129

50 Hz APPLICATION

Fan Motor, 230V, 50 Hz	† 7629413
Terminal Block	No Longer Available
Bracket - Terminal Block	6008681

† Refer to Cross Reference Guide