



Ice Machine Parts List for Series B1000 Models

BR1000A

BD1092N

BR1001W

BY1004A

BR1090N

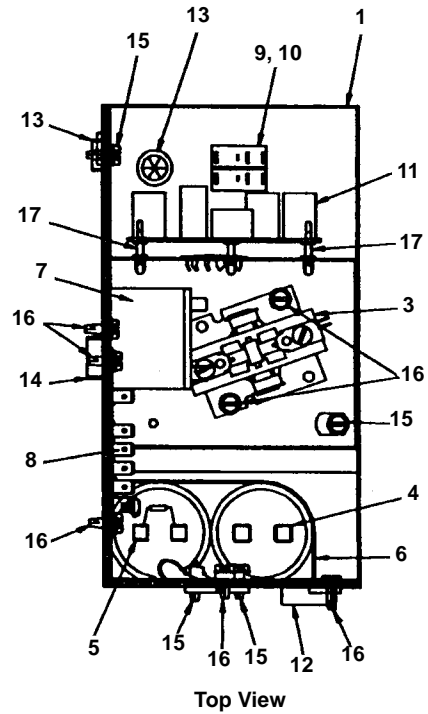
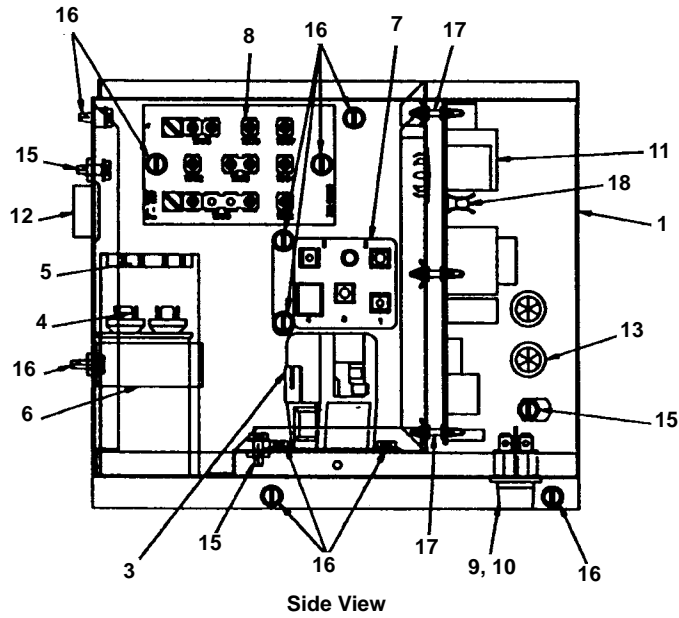
BY1005W

BD1002A

BY1094N

BD1003W

B1000 CONTROL BOX



1311

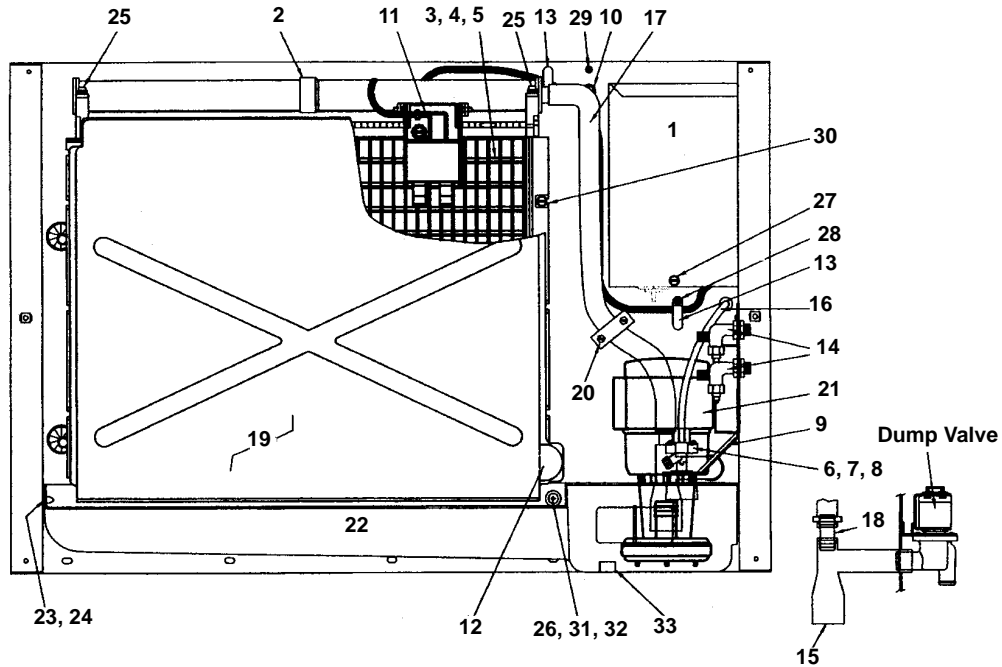
DESCRIPTION

	PART NO.
1 Control Box	No Longer Available
2 Control Box Cover With Labels	† 7625073
3 Contactor For 1 Phase Units	† 2006599
3 Contactor For 3 Phase Units	2006619
4 Run Capacitor For Bristol*	† 00000028
4 Run Capacitor For Tecumseh	† 2010133
5 Start Capacitor For Bristol*	8503143
5 Start Capacitor For Tecumseh	8503833
6 Capacitor Bracket	No Longer Available
7 Start Relay For Bristol*	8504253
7 Start Relay For Tecumseh	2007519
8 Terminal Board With Harness	2031003
9 Toggle Switch	2301343
10 Toggle Switch With Wiring Harness	† 2031059
11 Control Board (For use with all voltages)	† 7628003
12 Bushing - 1.87"	† 2500019
13 Bushing - 0.625"	† 2500169
14 Bushing - 0.875"	† 2501409
15 Screw, #10-24 x 0.50 Grounding	† 5202169
16 Screw, #10-24 x 0.50 Hex.	† 5202069
17 Support for Control Board	4302253
18 7 Amp Fuse for Control Board	2511003
19 0.125 Amp Mini-Fuse for Control Board*	† 2511169

* See Page 9 for 50 Hz Applications

† Refer to Cross Reference Guide

B1000 EVAPORATOR COMPARTMENT



1312

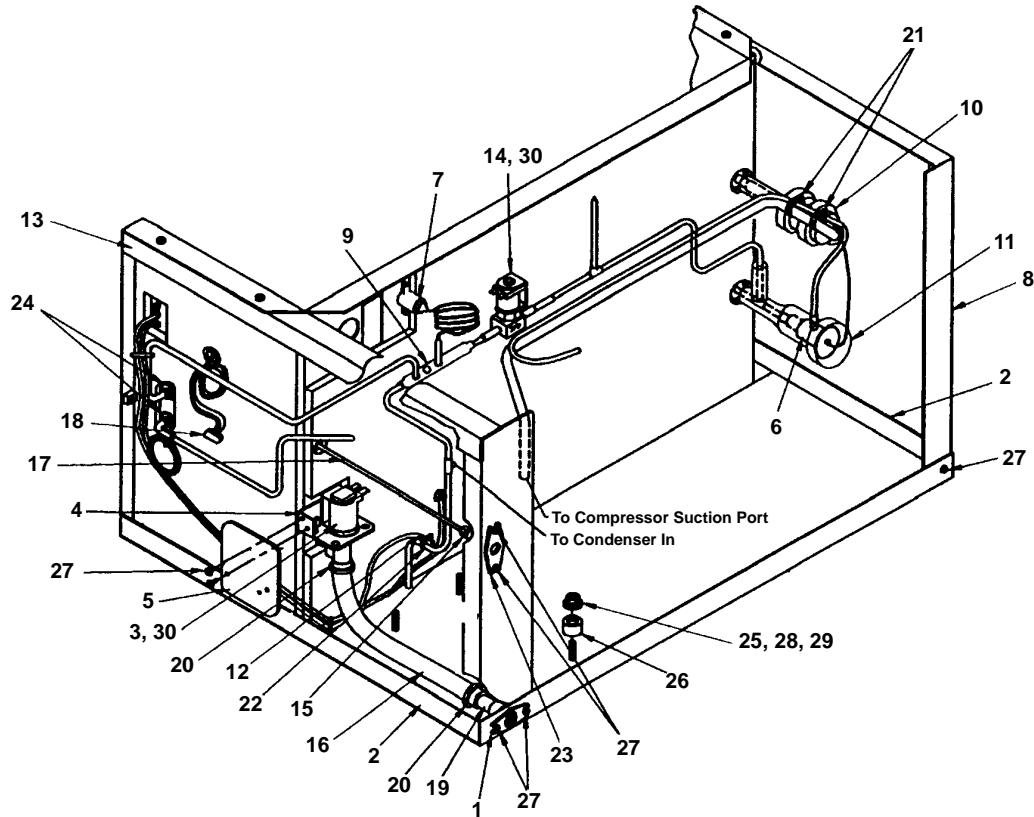
DESCRIPTION

	PART NO.
1 Control Box Cover	† 7625073
2 Distribution Tube Assembly	† 7624983
3 Evaporator Assembly, Dice Cube	† 7625029
4 Evaporator Assembly, Half Dice Cube	† 7625039
5 Evaporator Assembly, Regular Cube	† 7625019
6 Float Valve Assembly	8369133
7 Float Valve Screen	† 8369069
8 Float Valve Plunger	† 8369089
9 Float Valve Mounting Bracket	† 7621403
10 High Pressure Cut-out	† 2355369
11 Ice Thickness Control	† 7627813
12 Magnetic Switch w/Housing	† 2301483
13 Nylon Spring Clip	† 5650699
14 Process Valve w/Stem	† 8373109
15 Reducing Tee, EPDM Rubber	4300573
16 Tubing, Vinyl 0.25 OD	4420291
17 Tubing, Vinyl 0.625 ID w/Elbow	4420853
18 Union Connector, White Nylon	8390053
19 Water Curtain Assembly	† 4004733
a. Water Curtain Hanger	7627763
b. Water Curtain Magnet And Clip	† 7628023
20 Water Flow Clamp Regular Cube Only	7620543
21 Water Pump, 230V, 60 Hz*	† 7626013
22 Water Trough	† 7627483
23 Water Trough Support	† 4302019
24 Hex Nut, Nylon	† 5429459
25 Screw, SS Thumb #8-32 x 0.63	† 5000013
26 Screw, Push-in (Mounting Trough) Up To SN 950860178	† 5012279
27 Screw, #10-24 x 0.50	† 5202069
28 Screw, #10-24 x 0.625	† 5202059
29 Screw, #8 x 0.50	† 5121669
30 Screw to Mount Evaporator	† 5202189
31 Stud-Wing Head (Mounting Trough) After SN 950860178	5650863
32 Receptacle (Mounting Trough) After SN 950860178	5650853
33 Water Trough Support Clip Assembly	† 7627043
34 Evaporator Gasket/Top Molding Assembly (Not shown)	7626213

* See Page 9 for 50 Hz Applications

† Refer to Cross Reference Guide

B1000 COMMON PARTS



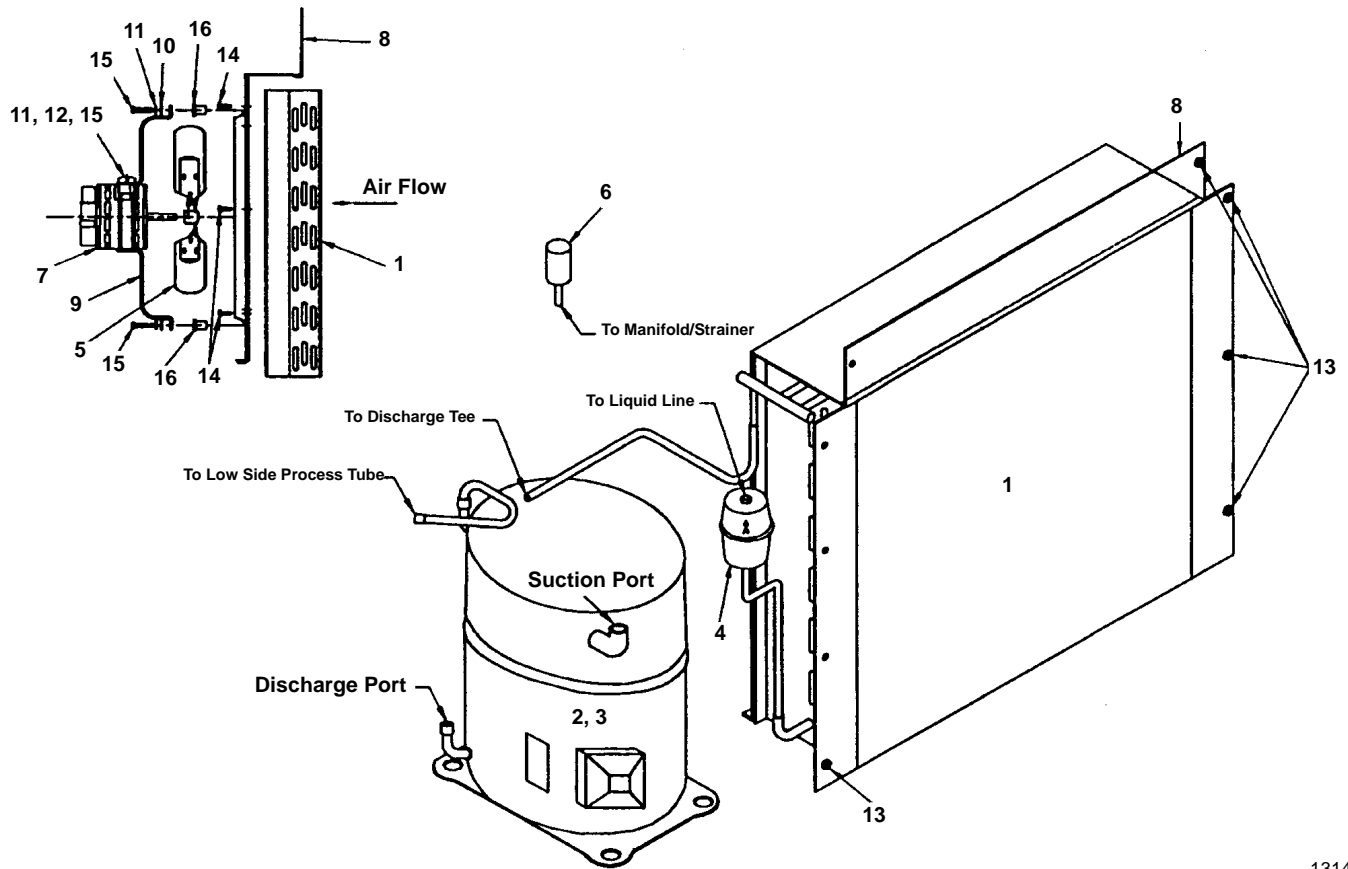
1313

DESCRIPTION

		PART NO.
1	Adapter, Water Outlet	1706021
2	Angle	No Longer Available
3	Dump Valve, 208-230V	000001768
4	Dump Valve Mounting Bracket	6260314
5	Dump Valve Shield (Air shield)	† 7000623
6	Expansion Valve	† 7627053
7	High Pressure Cut-out	† 2355369
8	LH Corner Post Weldment	No Longer Available
9	Manifold/Strainer	8310153
10	Neoprene Bulb Boot	4007203
11	Neoprene TXV Boot	4007213
12	NTC Thermistor	2351163
13	RH Corner Post Weldment	No Longer Available
14	Solenoid Valve 208-230V/50-60 Hz (Danfoss)	† 7630111
15	Union, Water Inlet	1360961
16	Vinyl Tube, 0.625 ID	† 4420383
17	Vinyl Tube, 0.25 OD	4420291
18	Water Pump Lead	† 2078103
19	Tube, Copper Drain	110481
20	Clamp, Plastic Hose	† 5650709
21	Clamp, Worm Drive Hex Head	† 5650529
22	Clamp, Worm Drive	5650773
23	Female Wing Adapter	8706093
24	Nut, Hex Locknut	† 5475039
25	Nut Hex 0.375	† 5430029
26	Rubber Grommet	† 8503069
27	Screw, #10-24 x 0.50	† 5202069
28	Sleeve	† 8503949
29	Washer, Flat 0.312	† 5573099
30	Alco Coil Only	† 2404483

† Refer to Cross Reference Guide

B1000 AIR-COOLED



1314

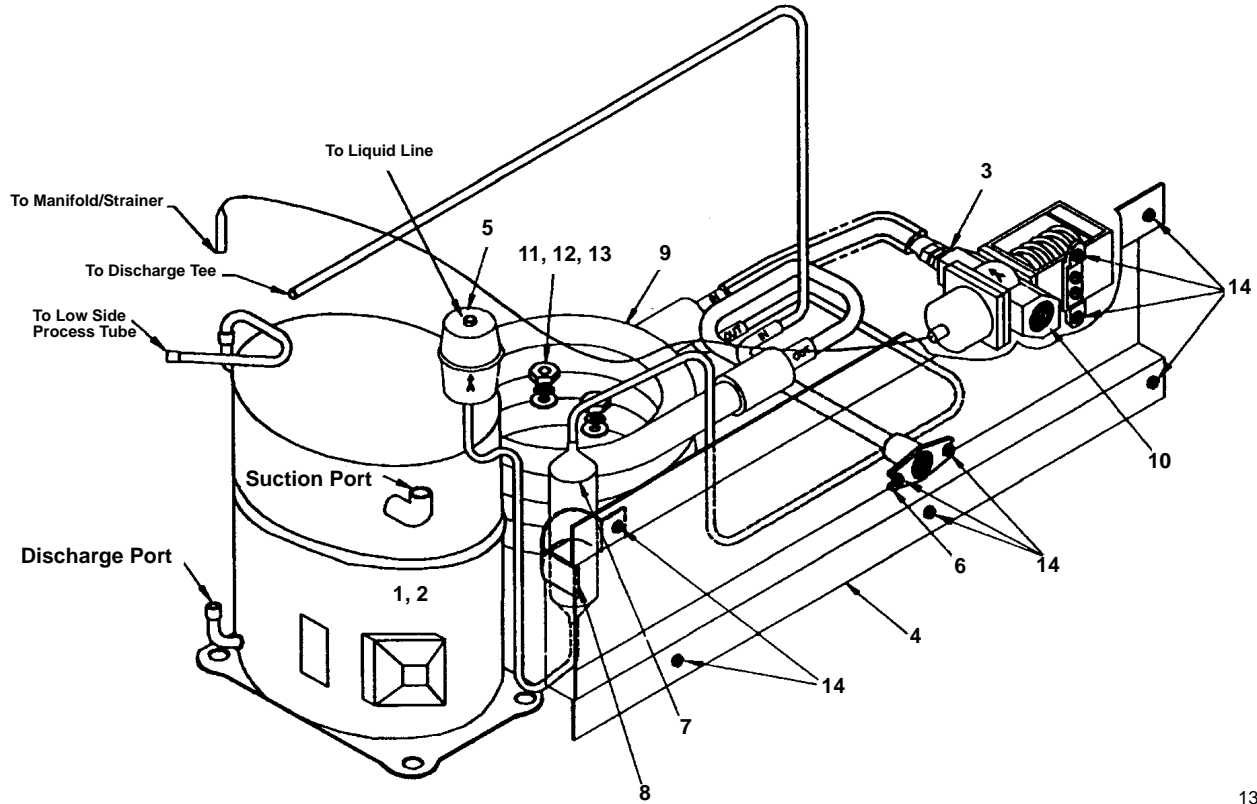
DESCRIPTION

	PART NO.
1 Air Condenser	8850693
2 Compressor Assembly, 208-230V 1 Ph*	† 7628183
3 Compressor Assembly, 208-230V 3 Ph*	† 7628193
4 Drier	† 8930279
5 Fan Blade	† 2416123
6 Fan Cycling Control	† 2001263
7 Fan Motor	† 7626723
8 Fan Shroud	No Longer Available
9 Wire Motor Mount	3006843
10 Flatwasher 0.25	† 5573059
11 Lockwasher 0.25 Split	† 5545109
12 Nut 0.25-20	† 5429529
13 Screw, #10-24 x 0.50	† 5202069
14 Screw, #10-24 x 0.625	† 5202059
15 Screw, 0.25-20 x 1.25	† 5033589
16 Well Nut 0.25-20	† 5429559
17 Capacitor for Fan Motor	No Longer Available
18 Air Filter (Not shown)	4040053
19 Air Filter Bracket (Not shown)	† 7626863

* See Page 9 for 50 Hz Applications

† Refer to Cross Reference Guide

B1000 WATER-COOLED



1315

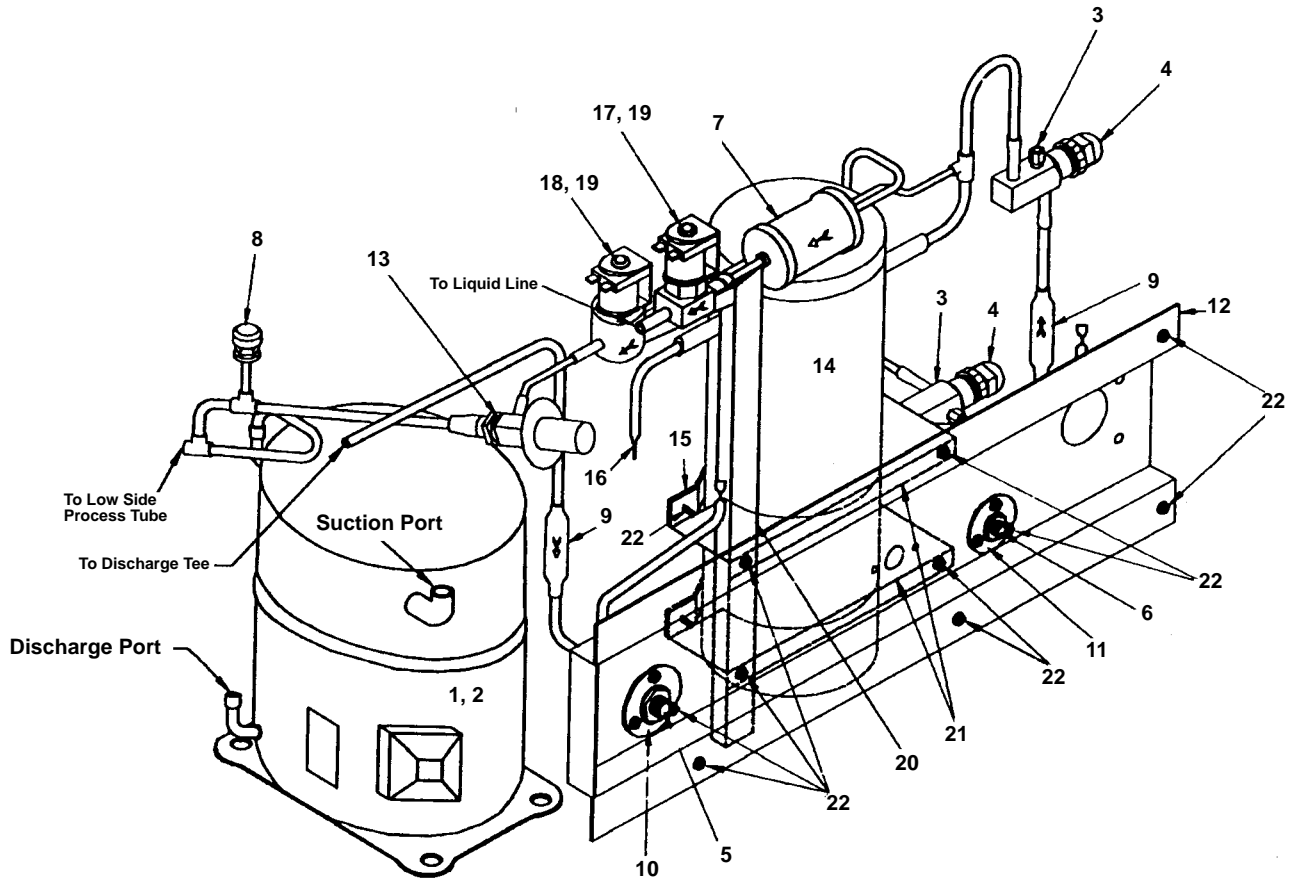
DESCRIPTION

	PART NO.
1 Compressor, 208-230V, 60 Hz 1 Ph*	† 7628183
2 Compressor, 3 Ph*	† 7628193
3 Coupling	8332033
4 Coupling Mounting Panel	No Longer Available
5 Drier	† 8930279
6 Female Wing Adapter	No Longer Available
7 Receiver	000008893
8 Receiver Strap	6000541
9 Water Condenser	† 000001508
10 Water Regulating Valve	† 8372069
11 Flatwasher 0.312	† 5573099
12 Lockwasher 0.38 Split	† 5545149
13 Nut - 0.375 Hex.	† 5430029
14 Screw, #10-24 x 0.50	† 5202069

* See Page 9 for 50 Hz Applications

† Refer to Cross Reference Guide

B1000 REMOTE



1316

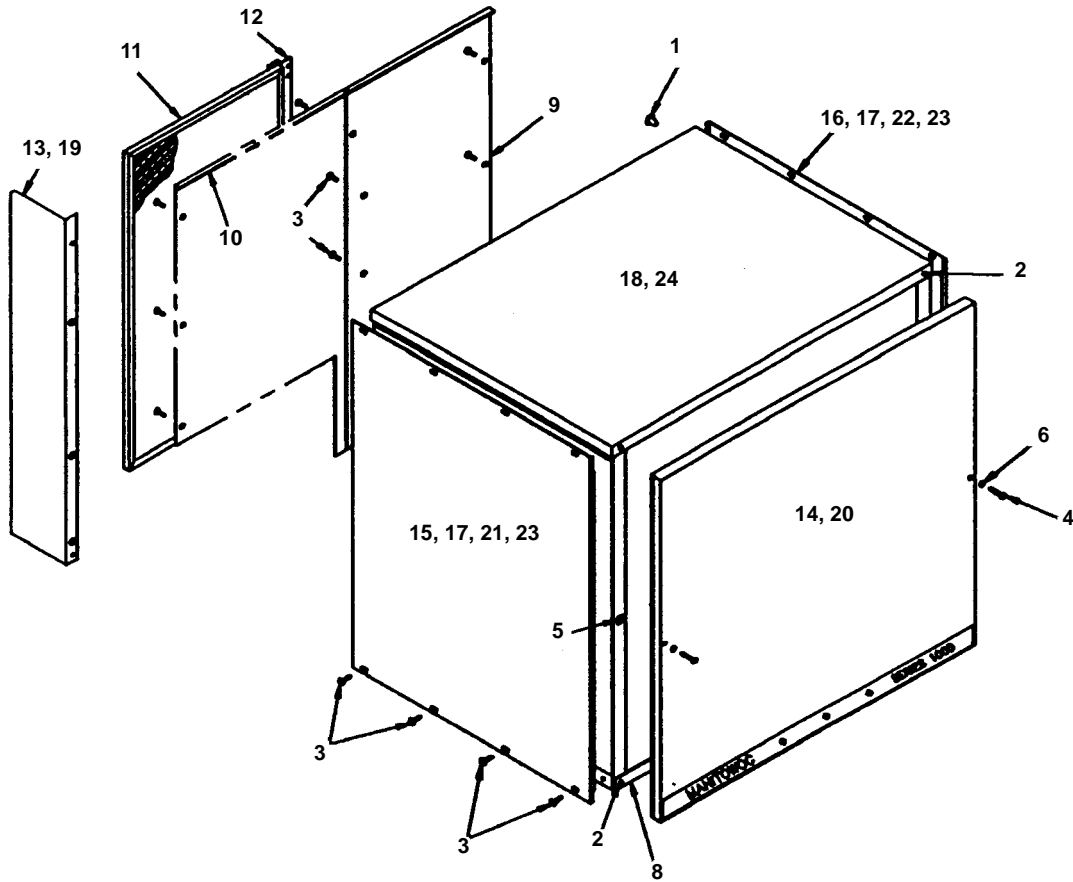
DESCRIPTION

	PART NO.
1 Compressor, 208-230V, 60 Hz 1 Ph*	† 7628183
2 Compressor, 3 Ph*	† 7628193
3 Brass Angle Valve	† 8373169
4 Brass Angle Valve, Cap Only	5650753
5 Coupling - Male 1-1/16 - 12	† 8360353
6 Coupling - Male 5/8-18	† 8360343
7 Drier	† 8930279
8 Low Pressure Cut-out	† 2355409
9 Magni-Check Valve	† 8373149
10 Mounting Flange	8360063
11 Mounting Flange	8360053
12 Panel, Coupling Mounting	No Longer Available
13 Pressure Regulator Valve	† 8367793
14 Receiver	No Longer Available
15 Receiver Mounting Strap	6307214
16 Safety Soft Plug	No Longer Available
17 Solenoid Valve, 208-230V/50-60 Hz (Danfoss)	† 7630081
18 Solenoid Valve, HPR 208-230V/50-60 Hz (Danfoss)	† 7630061
19 Alco Coil Only	† 2404483
20 Bracket Weldment	No Longer Available
21 Mounting Bracket, Receiver	6000561
22 Screw, #10-24 x 0.50	† 5202069

* See Page 9 for 50 Hz Applications

† Refer to Cross Reference Guide

B1000 PANELS



1317

COMMON

	PART NO.
1 Canoe Clip Fastener	No Longer Available
2 Screw, #10-24 x 0.50 Flat	† 5202099
3 Screw, #10-24 x 0.50 Hex.	† 5202069
4 Screw, #8-32 x 1.50	† 5026689
5 Cage Nut #8-12	† 5429109
6 "O" Ring	† 3718199
7 Extruded Tape (Not shown)	† 9202509
8 Front Support	† 6580419
9 Back Panel, Air-cooled	No Longer Available
10 Back Panel, Remote/Water.	No Longer Available
11 Air Filter	4040053
12 Air Filter Bracket	† 7626863

FAWN

13 Air Baffle	No Longer Available
14 Front Panel Assembly	No Longer Available
15 Left Hand Side Panel - Air	No Longer Available
16 Right Hand Side Panel - Air	No Longer Available
17 Side Panel, Water/Remote	No Longer Available
18 Top Cover	No Longer Available

STAINLESS STEEL

19 Air Baffle	No Longer Available
20 Front Panel Assembly	No Longer Available
21 Left Hand Side Panel - Air	No Longer Available
22 Right Hand Side Panel - Air	No Longer Available
23 Side Panel, Water/Remote	No Longer Available
24 Top Cover	No Longer Available

† Refer to Cross Reference Guide

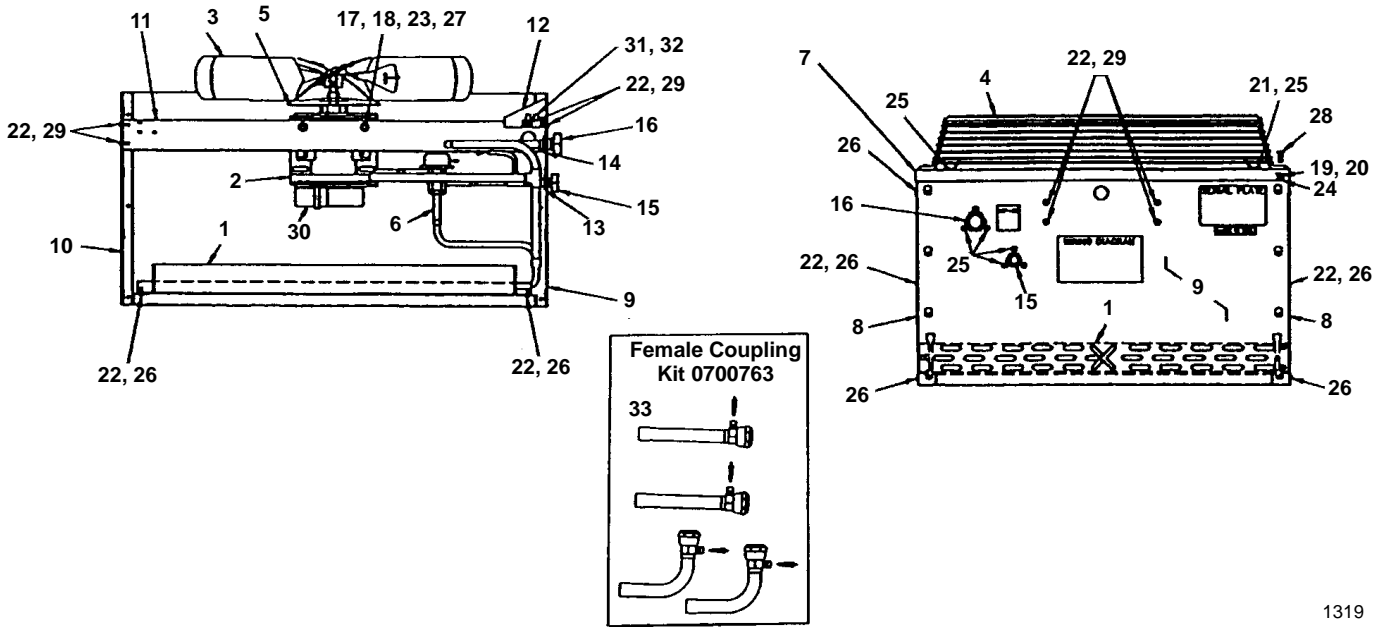
B1000 ELECTRICAL APPLICATIONS

All parts are the same as the 60 Hz Model with the following exceptions:

230V/50/1

	PART NO.
Compressor, 1 Ph	† 7628203
Start Components For Bristol:	
Run Capacitor	† 000000028
Start Relay	2007559
Start Capacitor	No Longer Available
Start Components For Tecumseh:	
Run Capacitor	000001395
Start Relay	8505613
Start Capacitor	8503833
Water Pump	† 1480279
Terminal Block	No Longer Available
0.1 Amp Mini-fuse On Control Board	2511053
7 Amp Fuse On Control Board	2511003

BC1095 REMOTE CONDENSER



1319

DESCRIPTION

DESCRIPTION	PART NO.
1 Air Condenser	† 8850899
2 Fan Motor, 208-230V, 50-60 Hz	† 7629413
3 Fan Blade	2416113
4 Fan Guard	3400643
5 Rain Slinger	2415053
6 Head Pressure Control	000004070
7 Top Cover	† 6017751
8 Panel, Side	† 6017741
9 Panel, Rear	† 6017731
10 Panel, Front	† 6017721
11 Base Bracket	† 6017681
12 Electrical Cover	† 6017761
13 Mounting Flange 0.25 x 0.38	8360053
14 Mounting Flange 0.50 x 0.88	8360063
15 Coupling, Male 0.63-18	† 8360343
16 Coupling, Male 1.06-12	† 8360353
17 Lockwasher - 0.31 Split	† 5573139
18 Washer - Flat 0.31 ID	† 5573099
19 Washer - Flat 0.25 Stainless	† 5573049
20 Lockwasher 0.25 Split Stainless	† 5545119
21 Lockwasher #10 Int. Phos	† 5544649
22 Lockwasher #8 Int. Phos	† 5544599
23 Nut 0.31-18 Steel Hex	5429759
24 Nut 0.25-20 Steel Hex	† 5429529
25 Screw, #10-24 x 0.62	† 5202059
26 Screw, #8 x 0.5	† 5121539
27 Screw, 0.31-18 x 0.62	† 5035659
28 Screw, 0.25-2 x 0.62	† 5033459
29 Screw, #8-32 x 0.50	† 5026249
30 Fan Capacitor (Emerson)	8504583
30 Fan Capacitor (Magnatec)	No Longer Available
31 Terminal Block	7628783
32 Terminal Block Mounting Bracket	6008681
33 Female Coupling Kit (Not shown)	SALES K0129

50 Hz APPLICATION

34 Fan Motor, 230V, 50 Hz	† 7629413
-------------------------------------	-----------

† Refer to Cross Reference Guide