



Ice Machine Parts List for Series B0600 Models

BR0600A

BD0692N

BR0601W

BY0604A

BR0690N

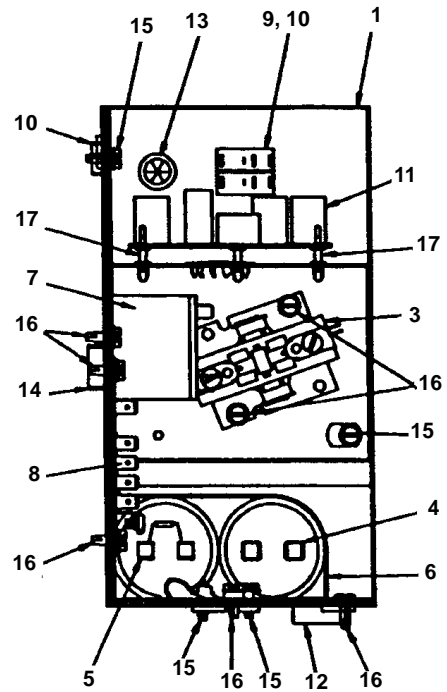
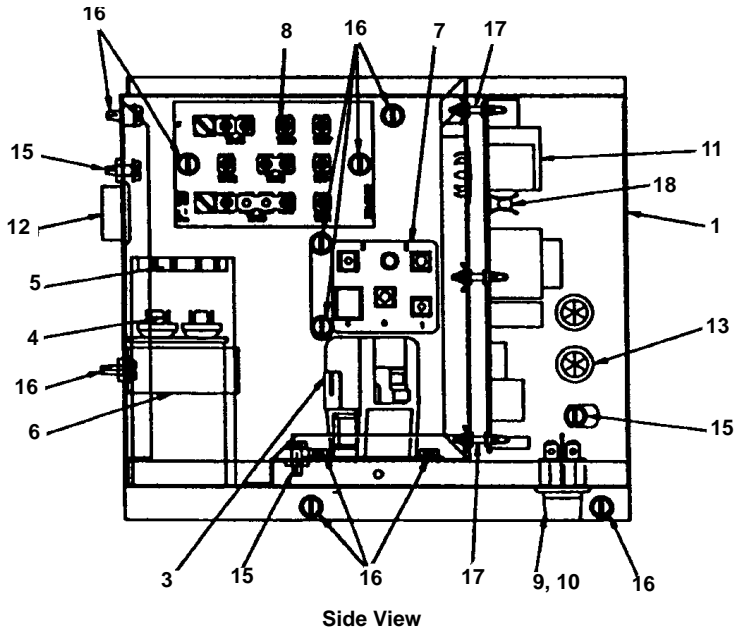
BY0605W

BD0602A

BY0694N

BD0603W

B0600 CONTROL BOX



1291

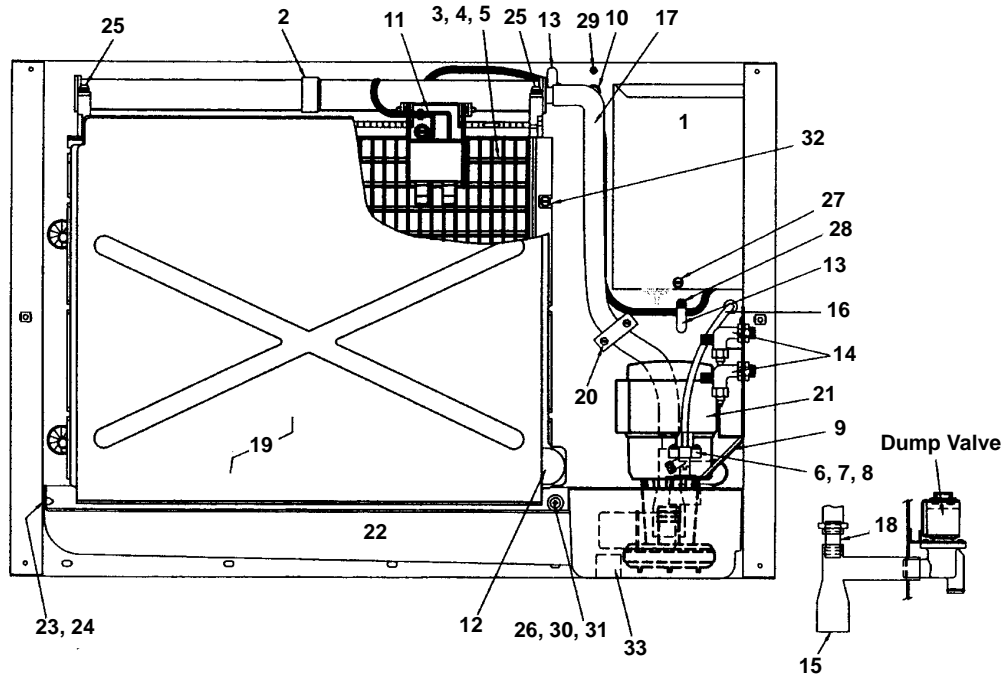
DESCRIPTION

	PART NO.
1 Control Box	No Longer Available
2 Control Box Cover With Labels.	† 7625073
3 Contactor	† 2006599
4 Run Capacitor (Bristol and Copeland RS86 CIEPFV218)*	2010143
4a Run Capacitor (Copeland RS86 CIEPFV251)	8503933
4b Run Capacitor (Copeland CS08 KQEPFV255)	8503933
5 Start Capacitor (Bristol)*	8503143
5a Start Capacitor (Copeland RS86 CIEPFV251) (RS86 CIEPFV218)	8503723
5b Start Capacitor (Copeland CS08 KQEPFV255)	† 8503853
6 Capacitor Bracket	No Longer Available
7 Start Relay (Bristol)*	2007579
7a Start Relay (Copeland RS86 CIEPFV251) (RS86 CIEPFV218)	2007539
7b Start Relay (Copeland CS08 KQEPFV255)	2007559
8 Terminal Board With Harness	2031003
9 Toggle Switch Only	2301343
10 Toggle Switch With Wiring Harness	† 2031059
11 Control Board (For use with all voltages)	† 7628003
12 Bushing - 1.187"	† 2500019
13 Bushing - 0.625"	† 2500169
14 Bushing - 0.875"	† 2501409
15 Screw, #10-24 x 0.50 Ground	† 5202169
16 Screw, #10-24 x 0.50 Hex Head	5202069
17 Support For Control Board	4302253
18 Fuse, 7 Amp	2511003
19 Mini-fuse, 0.125 Amp*	† 2511169

* See Page 9 for 50 Hz Parts

† Refer to Cross Reference Guide

B0600 EVAPORATOR COMPARTMENT



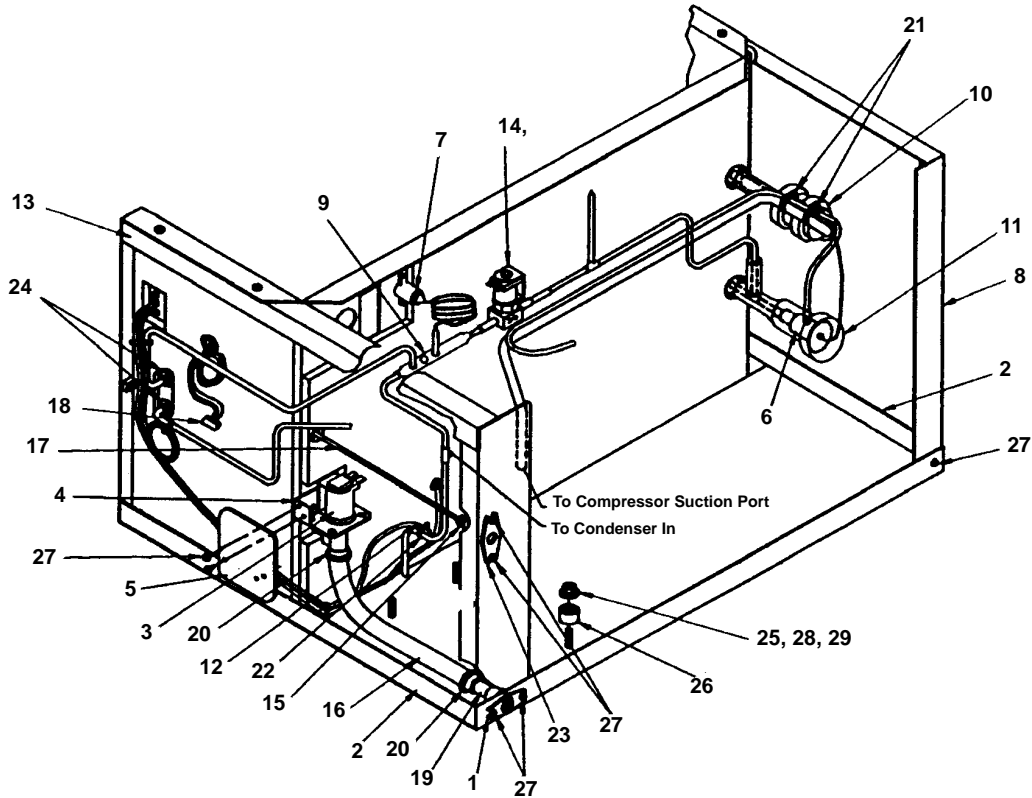
1292

DESCRIPTION

DESCRIPTION	PART NO.
1 Control Box Cover	† 7625073
2 Distribution Tube Assembly	† 7624983
3 Evaporator Assembly, Dice Cube	† 7625149
4 Evaporator Assembly, Half Dice Cube	† 7625139
5 Evaporator Assembly, Regular Cube	† 7625159
6 Float Valve Complete Assembly	8369133
7 Float Valve Screen	† 8369069
8 Float Valve Plunger	† 8369089
9 Float Valve Mounting Bracket	† 7621403
10 High Pressure Cut-out	† 2355369
11 Ice Thickness Control	† 7627813
12 Magnetic Switch w/Housing	† 2301483
13 Nylon Spring Clip	† 5650699
14 Process Valve w/Stem	† 8373109
15 Reducing Tee, Rubber	4300573
16 Tubing, Vinyl 0.25 OD	4420291
17 Tubing, Vinyl 0.625 ID w/Elbow	4420833
18 Union Connector, White Nylon	8390053
19 Water Curtain Assembly	† 4304643
a. Water Curtain Hanger	7627763
b. Water Curtain Magnet and Clip	† 7628023
20 Water Flow Clamp, Regular Cube Only	7620543
21 Water Pump, 208-230V 60 Hz	† 7626013
22 Water Trough	† 7627483
23 Water Trough Support Pin	† 4302019
24 Hex Nut, Nylon	† 5429459
25 Screw, Nylon, Thumb #8-32 x 0.63	† 5000013
26 Screw, Push-in (Up to SN 930662819)	† 5012279
27 Screw, #10-24 x 0.50	† 5202069
28 Screw, #10-24 x 0.625	† 5202059
29 Screw, #8 x 0.75	† 5121669
30 Wing Head Stud (Used after SN 930662819)	5650863
31 Clip-in Receptacle (Used after SN 930662819)	5650853
32 Screw to Mount Evaporator	† 5202189
33 Water Trough Support Clip Assembly	† 7627043
34 Evaporator Gasket/Top Molding Assembly (Not shown)	7626213

† Refer to Cross Reference Guide

B0600 COMMON PARTS



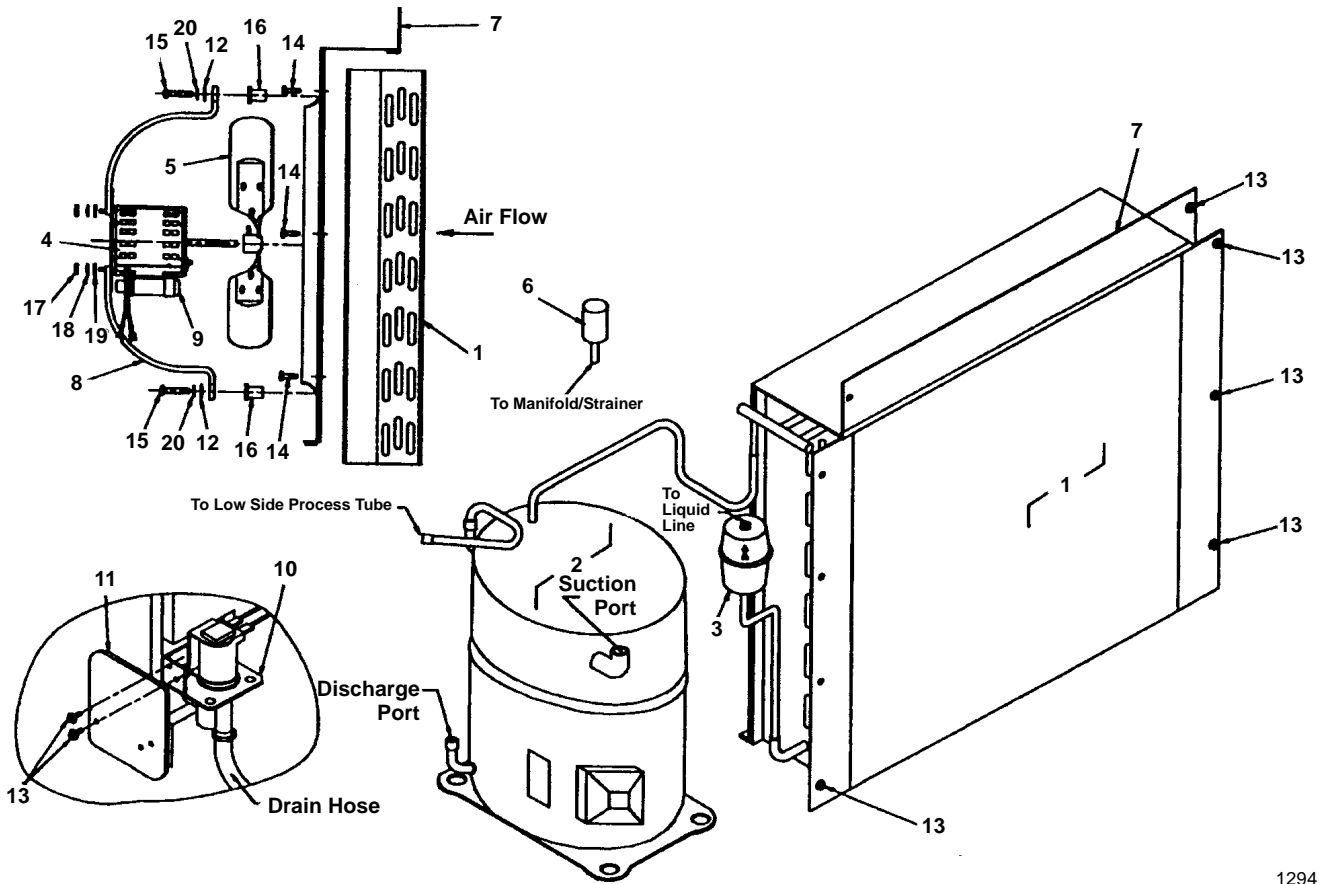
1293

DESCRIPTION

DESCRIPTION	PART NO.
1 Adapter, Water Outlet	1706021
2 Angle.	No Longer Available
3 Dump Valve, 208-230V	00001768
4 Dump Valve Mounting Bracket	6260314
5 Dump Valve Shield (Air only)	† 7000623
6 Expansion Valve	† 7624643
7 High Pressure Cut-out	† 2355369
8 LH Corner Post Weldment	No Longer Available
9 Manifold/Strainer.	8310153
10 Neoprene Bulb Boot	4007203
11 Neoprene TXV Boot	4007213
12 NTC Thermistor	2351163
13 RH Corner Post Weldment	No Longer Available
14 Solenoid Valve 208-230V/50-60 Hz (Danfoss)	† 7630101
15 Union, Water Inlet	1360961
16 Vinyl Tube, 0.625 ID	† 4420383
17 Vinyl Tube, 0.25 OD	4420291
18 Water Pump Lead	† 2078103
19 Tube, Copper Drain	110481
20 Clamp, Plastic Hose	† 5650709
21 Clamp, Worm Drive Hex Head	† 5650529
22 Clamp, Worm Gear.	5650773
23 Female Wing Adapter	† 8706093
24 Nut, Hex Locknut	† 5475039
25 Nut, Hex 0.375 - L6.	† 5430029
26 Rubber Grommet	† 8503069
27 Screw, #10-24 x 0.50	† 5202069
28 Sleeve.	† 8503949
29 Washer, Flat 0.312	† 5573099
30 Alco Coil Only	† 2404483

† Refer to Cross Reference Guide

B0600 AIR-COOLED



1294

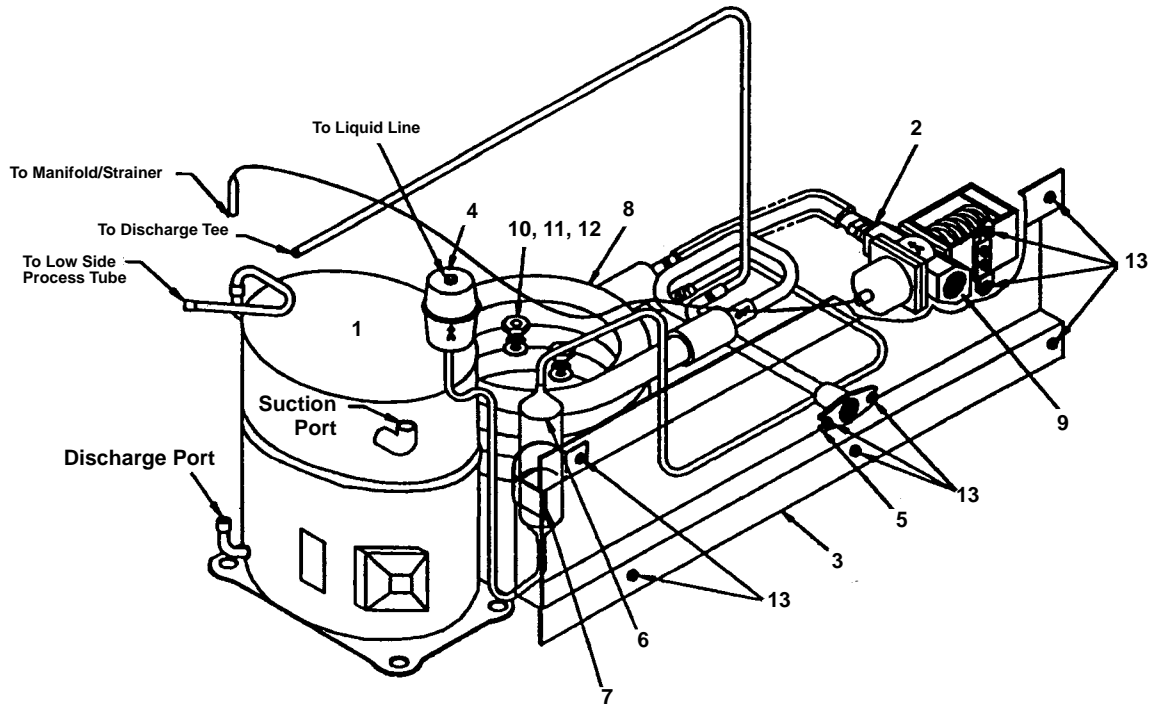
DESCRIPTION

	PART NO.
1 Air Condenser	8850603
2 Compressor Assembly, 208-230V*	No Longer Available
3 Drier	† 8930259
4 Fan Motor	† 2412939
5 Fan Blade	2416173
6 Fan Cycling Control	† 2001263
7 Fan Shroud	No Longer Available
8 Wire Motor Mount	3406623
9 Capacitor	8504583
10 Dump Valve, 208-230V	000001768
11 Shield For Water Dump Solenoid	† 7000623
12 Flatwasher 0.25	† 5573059
13 Screw, #10-24 x 0.50	† 5202069
14 Screw, #10-24 x 0.625	† 5202059
15 Screw, 1/4 x 1.75	† 5033589
16 Well Nut 0.25-20	† 5429559
17 Hex Nut #8-32	† 5429069
18 Lockwasher #8	† 5544599
19 Flatwasher	† 5504269
20 Lockwasher 0.25 Split	† 5545109
21 Air Filter (Not shown)	4040033
22 Air Filter Bracket (Not shown)	† 7626863

* See Page 9 for 50 Hz Parts

† Refer to Cross Reference Guide

B0600 WATER-COOLED



1295

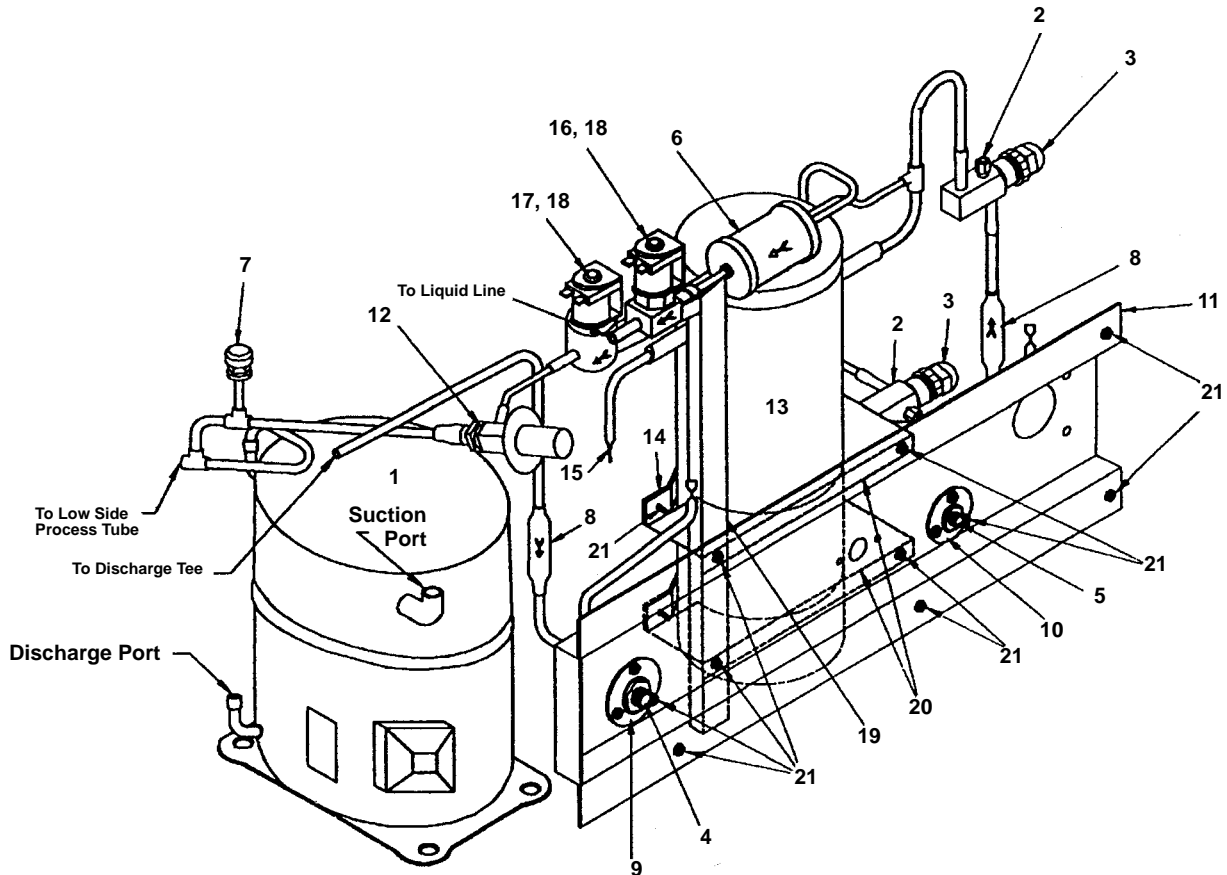
DESCRIPTION

	PART NO.
1 Compressor, 208-230V, 60 Hz 1 Ph*	No Longer Available
2 Coupling	8332033
3 Coupling Mounting Panel	No Longer Available
4 Drier	† 8930259
5 Female Wing Adapter	No Longer Available
6 Receiver	00008892
7 Receiver Strap	6000541
8 Water Condenser	† 8865333
9 Water Regulating Valve	† 8372069
10 Flatwasher 0.312	† 5573099
11 Lockwasher 0.38 Split.	† 5545149
12 Nut - 0.375 Hex.	† 5430029
13 Screw, #10-24 x 0.50	† 5202069

*See Page 9 for 50 Hz Parts

† Refer to Cross Reference Guide

B0600 REMOTE



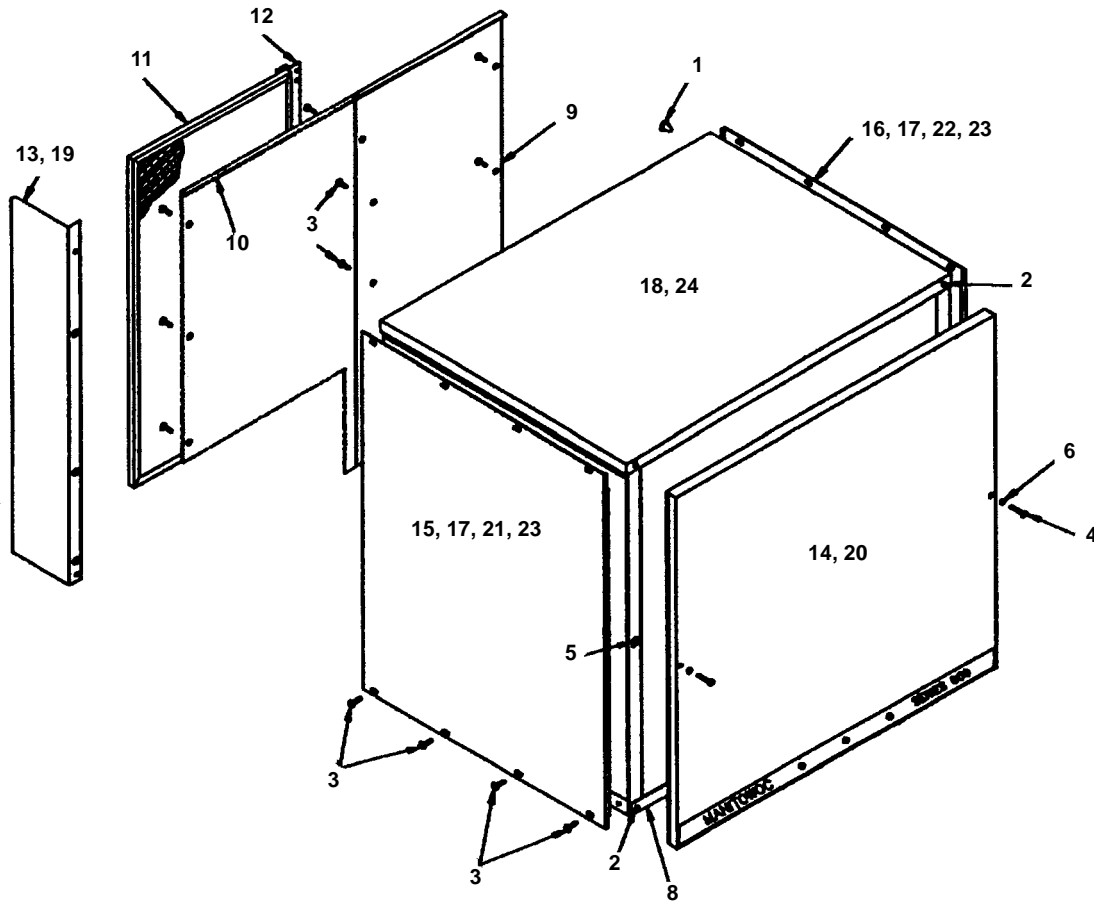
1296

DESCRIPTION

	DESCRIPTION	PART NO.
1	Compressor, 208-230V 60 Hz 1 Ph	No Longer Available
2	Brass Angle Valve	† 8373169
3	Brass Angle Valve, Cap Only	5650753
4	Coupling - Male 1-1/16-12	† 8360353
5	Coupling - Male 5/8-18	† 8360343
6	Drier	† 8930279
7	Low Pressure Cut-out	† 2355409
8	Magni-check Valve	8373143
9	Mounting Flange	8360063
10	Mounting Flange	8360053
11	Panel, Coupling Mounting	No Longer Available
12	Pressure Regulator Valve	† 8367793
13	Receiver	No Longer Available
14	Receiver Mounting Strap	6307214
15	Safety Soft Plug	No Longer Available
16	Solenoid Valve, 208-230V/50-60 Hz (Danfoss)	† 7630081
17	Solenoid Valve, HPR 208-230V/50-60 Hz (Danfoss)	† 7630061
18	Alco Coil Only	† 2404483
19	Bracket Weldment	No Longer Available
20	Mounting Bracket, Receiver	6000561
21	Screw, #10-24 x 0.50	† 5202069

† Refer to Cross Reference Guide

B0600 PANELS



1297

COMMON

	PART NO.
1 Canoe Clip Fastener	No Longer Available
2 Screw, #10-24 x 0.50 Flat	† 5202099
3 Screw, #10-24 x 0.50 Hex.	† 5202069
4 Screw, #8-32 x 1.50	† 5026689
5 Cage Nut 8-12	† 5429109
6 "0" Ring	† 3718199
7 Extruded Tape	† 9202509
8 Front Support	† 6580419
9 Back Panel, Air	No Longer Available
10 Back Panel, Remote/Water.	No Longer Available
11 Air Filter	4040033
12 Filter Bracket.	† 7626863

FAWN

13 Air Baffle	No Longer Available
14 Front Panel Assembly.	No Longer Available
15 LH Side Panel, Air	No Longer Available
16 RH Side Panel, Air	No Longer Available
17 Side Panel, Water or Remote.	No Longer Available
18 Top Cover	No Longer Available

STAINLESS STEEL

19 Air Baffle	6002203
20 Front Panel Assembly.	† 7625263
21 LH Side Panel, Air	No Longer Available
22 RH Side Panel, Air	No Longer Available
23 Side Panel, Water or Remote.	No Longer Available
24 Top Cover	No Longer Available

† Refer to Cross Reference Guide

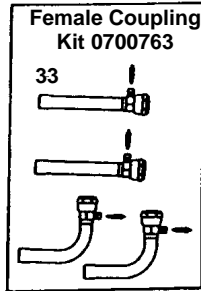
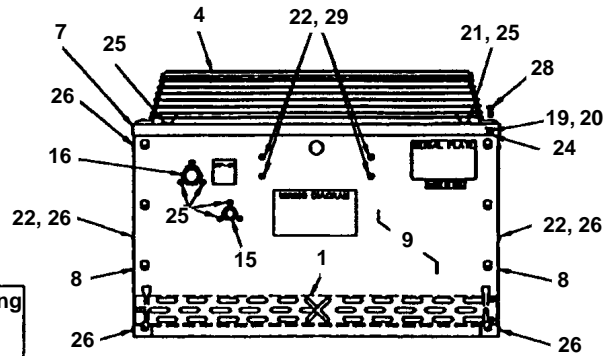
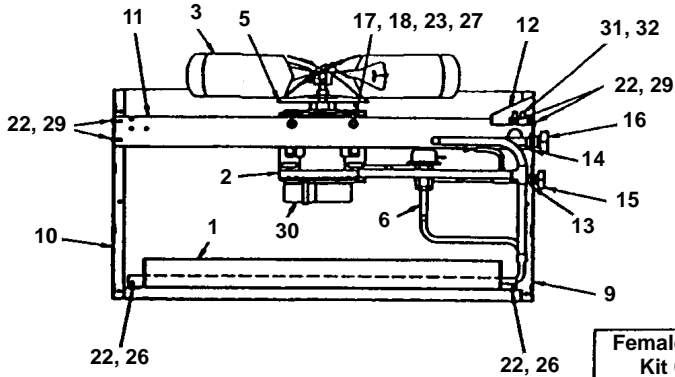
B0600 ELECTRICAL APPLICATIONS

All parts are the same as Standard Model with the following exceptions:

230V/50/1

	PART NO.
Compressor 230/50/1	No Longer Available
Start Components For Bristol:	
Run Capacitor	8503933
Start Relay	No Longer Available
Start Capacitor	8503143
Start Components For Copeland RS86 CIEPFV251:	
Run Capacitor	2010143
Start Relay	2007559
Start Capacitor	8505593
Start Components For Copeland CS08 KQEPFV255:	
Run Capacitor	8503933
Start Relay	† 8503853
Start Capacitor	2007559
Contactors	† 2006599
0.1 Amp Mini-fuse On Control Board	2511053
7 Amp Fuse	2511003

BC0895 REMOTE CONDENSER



1299

DESCRIPTION

	PART NO.
1 Air Condenser	† 8850629
2 Fan Motor, 208-230V, 50-60 Hz	† 7629413
3 Fan Blade	2416113
4 Fan Guard	3400643
5 Rain Slinger	2415053
6 Head Pressure Control	000004070
7 Top Cover	† 6017751
8 Panel, Side	† 6017741
9 Panel, Rear	† 6017731
10 Panel, Front	† 6017721
11 Base Bracket	† 6017681
12 Electrical Cover	† 6017761
13 Mounting Flange 0.25 x 0.38	8360053
14 Mounting Flange 0.50 x 0.88	8360063
15 Coupling, Male 0.63-18	† 8360343
16 Coupling, Male 1.06-12	† 8360353
17 Lockwasher 0.31 Split	† 5573139
18 Washer - Flat 0.31 ID	† 5573099
19 Washer - Flat 0.25 Stainless	† 5573049
20 Lockwasher 0.25 Split Stainless	† 5545119
21 Lockwasher #10 Int. Phos	† 5544649
22 Lockwasher #8 Int. Phos	† 5544599
23 Nut 0.31-18 Steel Hex	† 5429759
24 Nut 0.25-20 Steel Hex	† 5429529
25 Screw #10-24 x 0.62	† 5202059
26 Screw #8 x 0.5	† 5121539
27 Screw 0.31-18 x 0.62	† 5035659
28 Screw 0.25-2 x 0.62	† 5033459
29 Screw #8-32 x 0.50	† 5026249
30 Fan Capacitor (Emerson)	8504583
30 Fan Capacitor (Magnatec)	No Longer Available
31 Terminal Block	7628783
32 Terminal Block Mounting Bracket	6008681
33 Female Coupling Kit	SALES K0129

50 Hz APPLICATION

34 Fan Motor, 230V, 50 Hz	† 7629413
-------------------------------------	-----------

† Refer to Cross Reference Guide