



Manitowoc
Foodservice
Parts Manual

For more Parts Information:

<https://manitowocfsg.sysonline.com/Default.aspx>

TABLE OF CONTENTS

Manitowoc Foodservice [Updated: Sep. 30, 2013]

Manitowoc - Ice & Related

Parts Catalog

Ice Machine

B Series

B0150

B0150 - Control Box Components 1

B0150 - Evaporator Compartment - Common Components 4

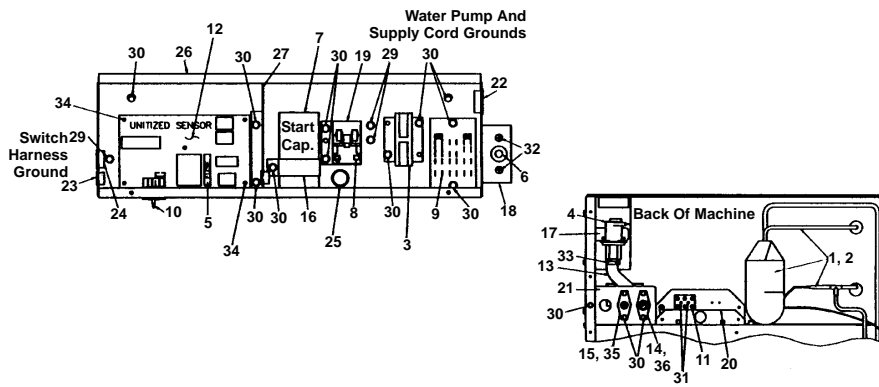
B0150 - Refrigeration Compartment - Common Components 6

B0150 - Panels 8

B0150 - Electrical Applications 10

B0150

B0150 - CONTROL BOX COMPONENTS



B0150

B0150 - CONTROL BOX COMPONENTS

| # | PART # | DESCRIPTION | QTY | Note |
|-----|-----------|--|-----|------|
| 1 | | Capillary Tube Assembly, Air-cooled | | [1] |
| 2 | 7625953 | Capillary Tube Assembly, Water-cooled | | [2] |
| 3 | 2006589 | Contactor - 115V/60 Hz/1 Ph | | |
| 4 | 000001767 | Water Dump Valve - 115V/60 Hz | | |
| 5 | 2511003 | 7 Amp Fuse - Mounted on Control Board | | |
| 5a | 2511169 | 0.125 Amp 60 Hz Mini Fuse | | [3] |
| 6 | 2355369 | High Pressure Cut-out Control | | |
| 7 | 8503713 | Start Capacitor | | |
| 8 | 8503743 | Start Relay | | |
| 9 | | Terminal Board With Wiring Harness | | [1] |
| 10 | 2031059 | Toggle Switch With Wiring Harness Attached | | |
| 10a | 2301343 | Toggle Switch Only | | |
| 11 | | Terminal Block, 230V | | [1] |
| 12 | 7628003 | Control Board | | [4] |
| 13 | | Vinyl Tube, Molded | | [1] |
| 14 | 1706021 | Water Adapter, 1/2" NPT | | |
| 15 | 8706093 | Female Wing Adapter - 0.375" | | |
| 16 | | Bracket, Capacitor | | [1] |
| 17 | 6260314 | Dump Valve Mounting Bracket | | |
| 18 | | Bracket, High Pressure Control | | [1] |
| 19 | | Bracket, Relay Mounting | | [1] |
| 20 | | Bracket, Terminal Block, 230V | | [1] |
| 21 | | Bracket, Water Fittings | | [1] |
| 22 | 2500019 | Bushing - 1.187" | | |
| 23 | 2500169 | Bushing - 0.91" OD x 0.44" ID | | |
| 24 | 2502189 | Bushing - 0.625" | | |
| 25 | 2501409 | Bushing - 0.875" | | |
| 26 | | Control Box | | [1] |
| 27 | | Control Board Shield | | [1] |
| 28 | | Control Box Cover | | [5] |
| 29 | 5202109 | Screw - #10-24 x 0.375" | | |
| 30 | 5202069 | Screw - #10-24 x 0.50" HEX | | |
| 31 | 5121559 | Screw - #6 x 0.75" | | [2] |
| 32 | 5121669 | Screw - #8-32 x 0.50" | | |
| 33 | 5650709 | Snap Clamp - 0.799"/0.899" ID | | |
| 34 | 4302253 | Control Board Mounting Supports | | |
| 35 | 1360961 | Male Connector | | [6] |
| 36 | 5650609 | Snap Clamp - 1.0" ID | | |

PART NOTES:

- [1] - No Longer Available
- [2] - Discontinued
- [3] - See Page 6 for 230/60 or 230/50 Applications

B0150

B0150 - CONTROL BOX COMPONENTS

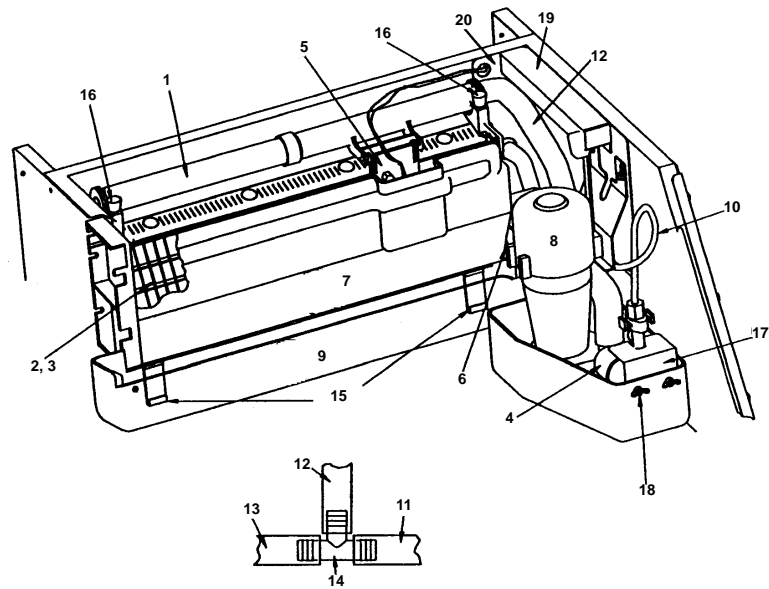
| # | PART # | DESCRIPTION | QTY | Note |
|---|--------|-------------|-----|------|
|---|--------|-------------|-----|------|

PART NOTES:

- [4] - (For use with all voltages)
- [5] - No Longer Available(Not shown)
- [6] - (Plastic)

B0150

B0150 - EVAPORATOR COMPARTMENT - COMMON COMPONENTS



B0150

B0150 - EVAPORATOR COMPARTMENT - COMMON COMPONENTS

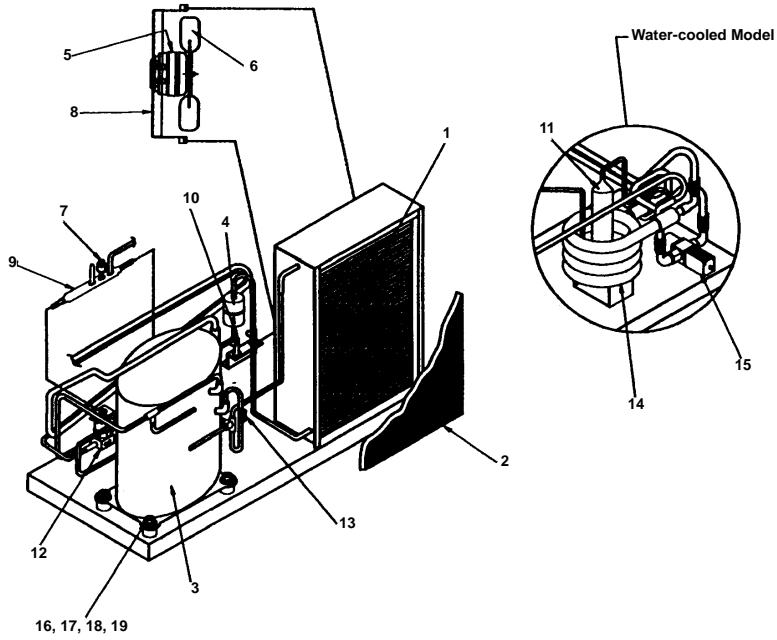
| # | PART # | DESCRIPTION | QTY | Note |
|-----|-----------|--|-----|------|
| 1 | 7624983 | Water Distribution Tube - B/J/Q | | |
| 2 | | Evaporator, Regular Cube | | [1] |
| 3 | | Evaporator, Dice Cube | | [1] |
| 3a | | Evaporator, Half Dice | | [1] |
| 4 | 8369049 | Float Valve Assembly | | |
| 5 | 7627813 | Ice Thickness Control Probe | | |
| 6 | 2301483 | Magnetic Bin Switch | | |
| 7 | 6007511 | Water Curtain | | |
| 7a | 7627763 | Water Curtain Pin Assembly | | |
| 7b | 7628023 | Water Curtain Magnet and Cap | | |
| 8 | 7623063 | Water Pump - 115V/60 Hz | | [2] |
| 9 | | Water Trough | | [1] |
| 10 | 4420291 | Vinyl Tube - 0.25" OD | | |
| 11 | 4420383 | Clear Tubing - 0.625" ID | | |
| 12 | 4421043 | Molded Discharge Tube | | |
| 13 | 4421013 | Tubing - Vinyl 0.625" ID | | |
| 14 | 8391033 | Barbed Tee | | [3] |
| 15 | 4408703 | Clip Water Trough | | [4] |
| 15a | | Bracket For Water Trough | | [5] |
| 16 | 5000013 | Thumbscrew - #8-32 x 0.375" | | |
| 17 | 000000136 | Float Valve Bracket | | |
| 18 | 5489139 | Wing Nuts #8-32 | | |
| 19 | | Channel, Pump Cord | | [1] |
| 20 | | Shield, Liner | | [1] |
| 21 | 7626213 | Evaporator Top Molding and Gasket Assembly | | [6] |

PART NOTES:

- [1] - No Longer Available
- [2] - See Page 6 for 230/60 or 230/50 Applications
- [3] - Discontinued
- [4] - (Plastic)
- [5] - No Longer Available(Metal)
- [6] - (Not shown)

B0150

B0150 - REFRIGERATION COMPARTMENT - COMMON COMPONENTS



B0150

B0150 - REFRIGERATION COMPARTMENT - COMMON COMPONENTS

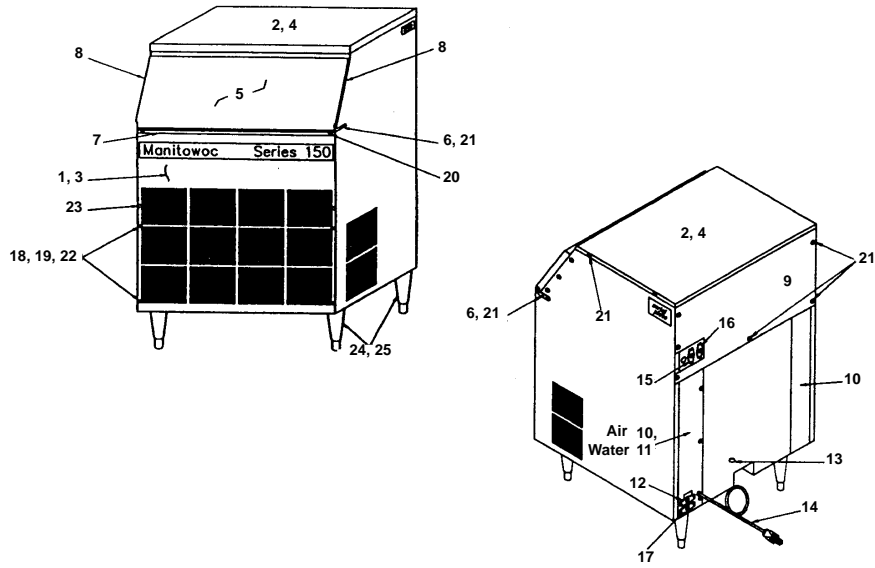
| # | PART # | DESCRIPTION | QTY | Note |
|----|-----------|--|-----|------|
| 1 | | Air Condenser | | [1] |
| 2 | 4040093 | Air EZK Filter | | |
| 3 | | Compressor, 115V | | [2] |
| 3a | 8504793 | Overload | | [3] |
| 4 | 8930259 | Drier | | |
| 5 | 2412873 | Fan Motor - 115V/60 Hz | | [4] |
| 6 | 2416243 | Fan Blade | | |
| 7 | 2001263 | Fan Cycling Control - 200-250 psig | | [5] |
| 8 | | Fan Motor Bracket | | [1] |
| 9 | 8310163 | Manifold Strainer | | |
| 10 | 8373109 | Process Valve | | |
| 11 | 000008892 | Receiver | | |
| 12 | 7630001 | Solenoid Valve with Electrical Coil - 115V/60 Hz | | [6] |
| 13 | 2351163 | Thermistor | | |
| 14 | 8865227 | Water Condenser | | |
| 15 | 8372103 | Water Regulating Valve | | |
| 16 | 8503069 | Mounting - Rubber Grommet | | |
| 17 | 8503949 | Mounting - Sleeve | | |
| 18 | 5573099 | Mounting - Flatwasher | | |
| 19 | 5430029 | Nut | | [7] |

PART NOTES:

- [1] - No Longer Available
- [2] - No Longer Available See Page 6 for 230/60 or 230/50 Applications
- [3] - (Not shown)
- [4] - See Page 6 for 230/60 or 230/50 Applications
- [5] - \pages from 200126_09.jpg" width=150 height=306>
- [6] - (Danfoss) See Page 6 for 230/60 or 230/50 Applications
- [7] - Discontinued

B0150

B0150 - PANELS



B0150

B0150 - PANELS

| # | PART # | DESCRIPTION | QTY | Note |
|----|---------|-------------------------------------|-----|------|
| | | FAWN | | |
| 1 | | Front Panel Assembly | | [1] |
| 2 | | Top Cover | | [1] |
| | | STAINLESS STEEL | | |
| 3 | | Front Panel Assembly | | [1] |
| 4 | | Top Cover | | [1] |
| | | COMMON | | |
| 5 | 7624453 | Bin Door, Black Plastic | | |
| 6 | 7624413 | Hinges for Black Plastic Door | | |
| 7 | | Door Opening Trim | | [1] |
| 8 | | Trim, Liner Sides | | [1] |
| 9 | | Panel, Top Back | | [1] |
| 10 | | Cover, Channel | | [1] |
| 11 | | Cover, Channel, Water-cooled Units | | [1] |
| 12 | | Cover, Water Fittings | | [1] |
| 13 | 7623223 | Drain Seal Replacement Kit | | |
| 14 | 2030673 | 6' Power Supply Cord - 115V | | |
| 15 | 8706093 | Female Wing Adapter - 0.375" | | |
| 16 | 1706021 | Water Adapter, 1/2" NPT | | |
| 17 | 8706103 | Female Wing Adapter - 0.50" | | |
| 18 | 5026249 | Mounting Screw - #8-32 x 0.50" PHIL | | |
| 19 | 5429109 | Cage Nut to Mount Front Panel | | |
| 20 | | Screw, #8-15 x 0.50 | | [1] |
| 21 | 5202069 | Screw - #10-24 x 0.50" HEX | | |
| 22 | 5573389 | Washer - Nylon 0.171" x 0.38" | | |
| 23 | 4300049 | Rubber Bumper | | [2] |
| 24 | 3302494 | Screw in Legs | | |
| 25 | 3302513 | Legs - Stainless Steel Machine | | [2] |

PART NOTES:

- [1] - No Longer Available
- [2] - Discontinued

B0150

B0150 - ELECTRICAL APPLICATIONS

B0150

B0150 - ELECTRICAL APPLICATIONS

| # | PART # | DESCRIPTION | QTY | Note |
|---|-----------|---|-----|------|
| | | All parts are the same as 115V Model with the following exceptions: | | |
| | | 230V/50 Hz | | |
| | | Compressor | | [1] |
| | 8503723 | Start Capacitor - 208-230V/50-60 Hz/1 Ph | | |
| | | Start Relay | | [1] |
| | | Overload | | [1] |
| | 2511003 | 7 Amp Fuse - Mounted on Control Board | | |
| | 2511053 | 0.100 Amp 50 Hz Mini Fuse | | [2] |
| | 2412883 | Fan Motor - 230V/50-60 Hz | | [2] |
| | 7626013 | Water Pump - 230V/50-60 Hz | | |
| | 000001768 | Water Dump Valve - 208-230V/50-60 Hz | | |
| | 7628783 | Terminal Bock | | |
| | 2006599 | Contactora - 230V/50-60 Hz/1 Ph | | |
| | 7630061 | Solenoid Valve with Coil - 208-230V/50-60 Hz | | [3] |
| | | 230V/60 Hz | | |
| | | Compressor | | [1] |
| | 8503723 | Start Capacitor - 208-230V/50-60 Hz/1 Ph | | |
| | | Start Relay | | [1] |
| | | Overload | | [1] |
| | 2412883 | Fan Motor - 230V/50-60 Hz | | [2] |
| | 2511003 | 7 Amp Fuse - Mounted on Control Board | | |
| | 2511163 | Mini-fuse for Control Board, 0.125 Amp | | |
| | 7626013 | Water Pump - 230V/50-60 Hz | | |
| | 000001768 | Water Dump Valve - 208-230V/50-60 Hz | | |
| | 2006599 | Contactora - 230V/50-60 Hz/1 Ph | | |
| | 7630061 | Solenoid Valve with Coil - 208-230V/50-60 Hz | | [3] |

PART NOTES:

- [1] - No Longer Available
- [2] - Discontinued
- [3] - (Danfoss)