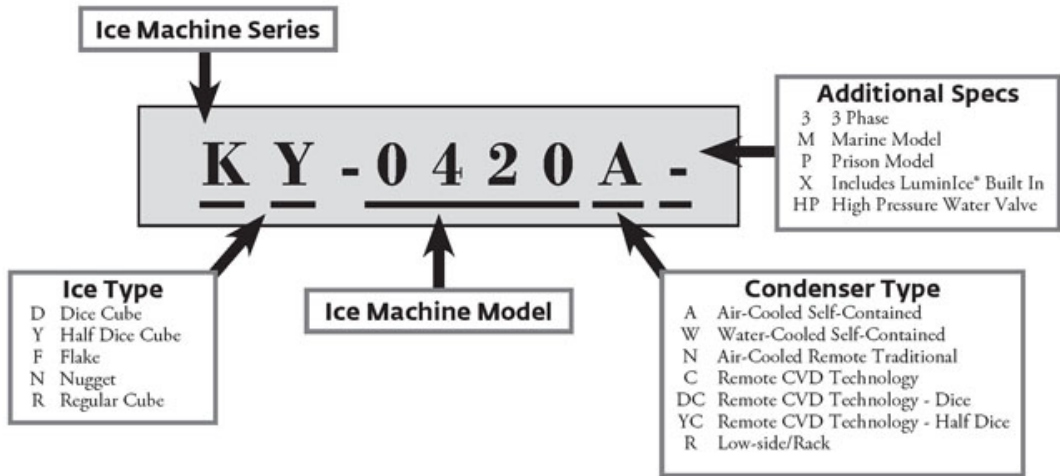




HOW TO READ A MODEL NUMBER



# TABLE OF CONTENTS

K0420	
Parts	
K0420 Control Box.....	1
K0420 Evaporator Compartment.....	3
K0420 Refrigeration Compartment.....	5
K0420 Air-cooled Components.....	8
K0420 Water-cooled Components.....	10
K0420 Panels.....	12



# K0420

## K0420 Control Box

#	PART #	DESCRIPTION	QTY	Note
1	040002007	Control Board		
1a	000012211	3.5 amp Ceramic Fuse		
1b	4302253	Control Board Mounting Supports		
2		Run Capacitor - See Note for Usage		
2a	000010708	Run Capacitor - 208-230V/50 Hz/1 Ph		[1]
2b	000010715	Run Capacitor - 230V/50-60 Hz/1 Ph		[2]
2c	000011640	Run Capacitor - 230V/50-60Hz/1 Ph		[3]
2d	000010711	Bracket - Run Capacitor		
3		Contactors		
3a	2006589	Contactors - 115V/60 Hz/1 Ph		
3b	2006599	Contactors - 230V/50-60 Hz/1 Ph		
4	2006143	Terminal Block - 50 Hz - 3 Pole		
5	2007939	Toggle Switch		
6	8373263	Refrigeration Service Valve Assembly		
6a	000011548	Bracket - Refrigeration Service Valves		
7	000010314	Control Box		
8	000012463	Control Box - Cover		
9	000011478	Start Component Box		
10	000011479	Cover - Start Component Box		
11, 12	2500019	Bushing - 1.187"		
13	2501409	Bushing - 0.875"		
14	2502189	Bushing - 0.625"		
15	5202169	Screw - #10-24 x 0.50" Ground		
16	5202069	Screw - #10-24 x 0.50" HEX		
16a	5573209	Star Washer		
17a	000011142	Overload Protector - 115V/60 Hz/1 Ph		
17b	000011143	Overload Protector - 230V/60 Hz/1 Ph		
17c	000010853	Overload Protector - Bracket		
18		Wiring Harness - Control Box		
18a	000010607	Control Box Wiring Harness - 115V/60 Hz/1 Ph		
18b	000010608	Control Box Wiring Harness - 230V/60 Hz/1 Ph		
18c	000010609	Control Box Wiring Harness - 230V/50 Hz/1 Ph		
19	000011182	Wiring Harness - Compressor		
20	000007185	Wiring Harness - Compressor Compartment - Air-cooled		
21	000007177	Wiring Harness - Compressor Compartment - Water-cooled		
22	000010511	Wiring Harness - Float Switch to Control Box		
23	000010724	Wiring Harness - Toggle Switch		
24	000011170	Manifold Strainer		
25	000008830	Fan Cycle Control		
26	000008816	High Pressure Cut-out		

### PART NOTES:

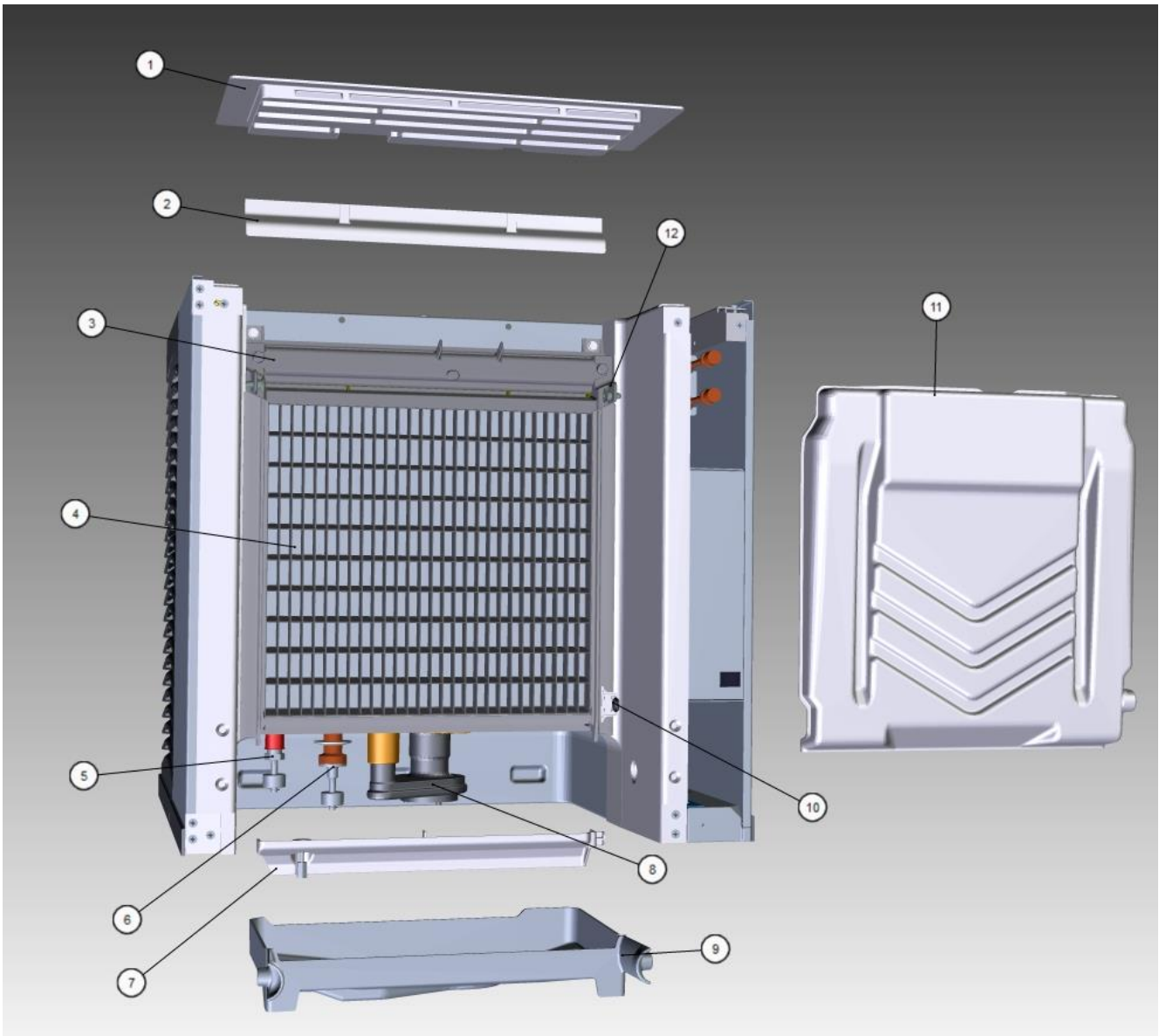
- [1] - 115V/60 Hz
- [2] - 230V/60 Hz
- [3] - 230V/50 Hz

---

### Parts

# K0420

## K0420 Evaporator Compartment



### Parts

K0420 Evaporator Compartment

# K0420

## K0420 Evaporator Compartment

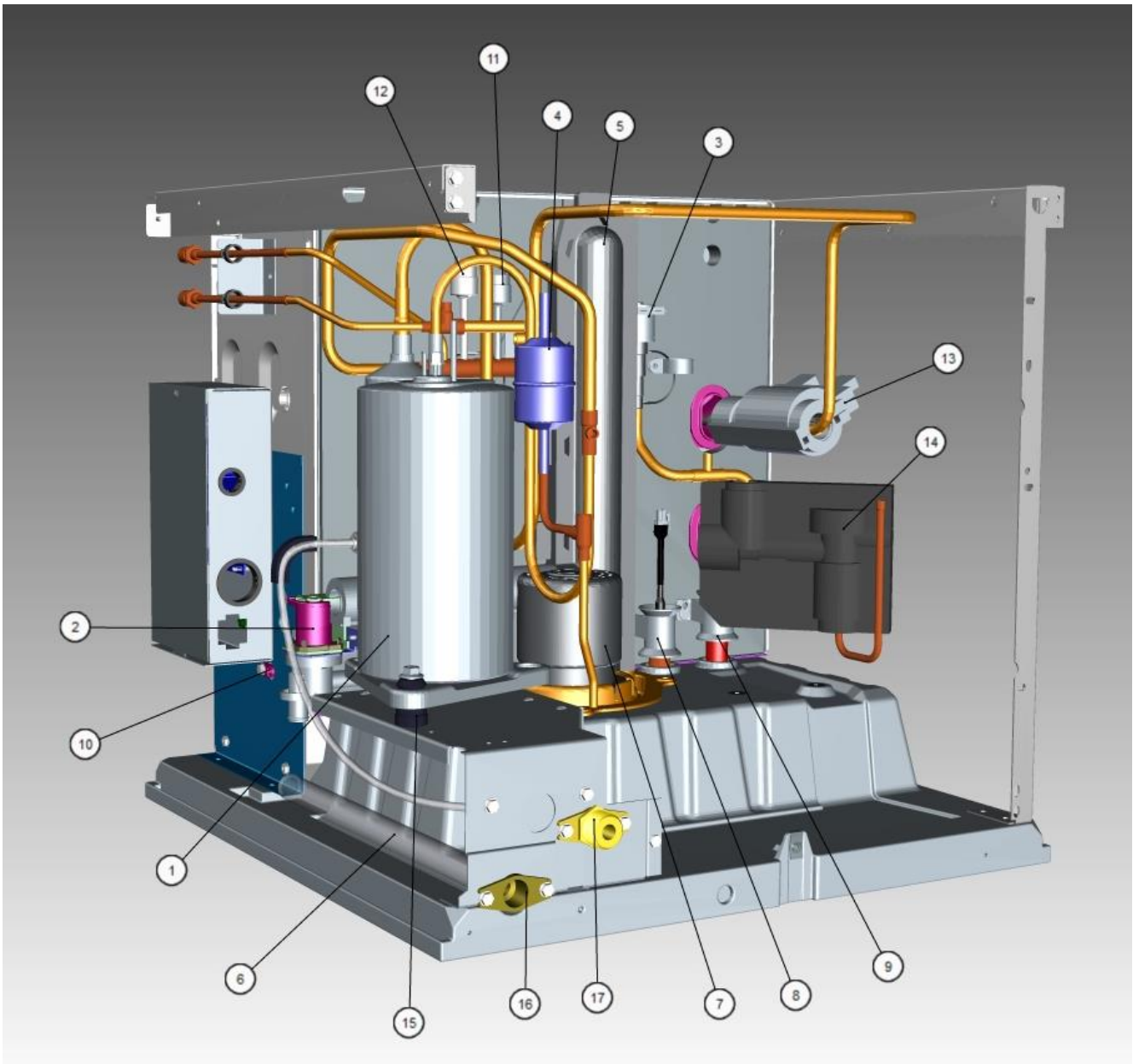
#	PART #	DESCRIPTION	QTY	Note
1	000009188	Foodzone Seal Panel		
2	6065389	Evaporator Top Filler Panel		
2a	5202099	Screw - #10-24 x 0.50" PHIL		
3	7602789	Water Distribution Tube - 22" L		
3a	5004799	Thumbscrew SS - #8-32 x 0.375"		
3b	5004629	O-Ring - 0.125" ID		
4		Evaporator		
4a	7602879	Evaporator - Dice Cube		
4b	7602889	Evaporator - Half Dice Cube		
5	000012651	Ice Thickness Float		
5a	000010630	Bracket - Ice Thickness Float		
6	000012649	Harvest Float		
6a	000010818	Bracket - Harvest Float		
7	7602779	Water Diverter - 22" Models		
7a	5305123	Thumbscrew SS - #8-32 x 0.44"		
8		Water Pump		
8a	2008929	Water Pump - 115V/60 Hz		
8b	2008939	Water Pump - 230V/60 Hz		
8c	2008949	Water Pump - 230V/50 Hz		
8d	5004659	Water Pump Base O-Ring - 4.00" ID		
8e	5004679	Water Pump Outlet O-Ring - 0.875" ID		
8f	000010244	Water Pump Mount		
9	000011512	Water Trough		
10	000010510	Magnetic Bin Switch		
11	4011189	Water Curtain		
12	7602799	Evaporator Top Frame Assembly		
13	5004619	Screw - #12-16 x 0.687"		

---

### Parts

# K0420

## K0420 Refrigeration Compartment



### Parts

K0420 Refrigeration Compartment

# K0420

## K0420 Refrigeration Compartment

#	PART #	DESCRIPTION	QTY	Note
1		Compressor		
1a	000010315	Compressor - Samsung - 115V/60 Hz/1 Ph		
1b	000010316	Compressor - Samsung - 208-230V/60 Hz/1 Ph		
1c	000010464	Compressor - Samsung - 230V/50 Hz/1 Ph		
2		Water Dump Valve		
2a	000001767	Water Dump Valve - 115V/60 Hz		
2b	000001768	Water Dump Valve - 208-230V/50-60 Hz		
2c	6058459	Water Dump Valve Mounting Bracket		
3		Harvest Valve		
3a	000007029	Harvest Valve Including 115V/60 Hz Electrical Coil		
3b	000005156	Solenoid Valve Coil Only - 115V/60 Hz		[1]
3c	000007028	Harvest Valve Including 208-230V / 50-60 Hz Electrical Coil		
3d	000005157	Danfoss Solenoid Valve Coil Only - 230V/50-60 Hz		[2]
4	8930259	Drier		
5	000010896	Insulated Tube		[3]
5a	5650609	Snap Clamp - 1.0" ID		
5b	5650709	Snap Clamp - 0.799"/0.899" ID		
6	000001382	Vinyl Tubing 0.625" ID		
6a	6038831	Insulation 0.88 ID X 0.25W X 13.50L		
6b	5650709	Snap Clamp - 0.799"/0.899" ID		
7		Water Pump		
7a	2008929	Water Pump - 115V/60 Hz		
7b	2008939	Water Pump - 230V/60 Hz		
7c	2008949	Water Pump - 230V/50 Hz		
7d	000010244	Water Pump Mount		
8	000012649	Harvest Float		
8a	000010818	Bracket - Harvest Float		
9	000012651	Ice Thickness Float		
9a	000010630	Bracket - Ice Thickness Float		
10	000010510	Magnetic Bin Switch		
11	000008816	High Pressure Cut-out		
12	000008830	Fan Cycle Control		
13	000002719	Valve Insulation Boot - Bulb		
13a	5650529	Clamp - Expansion Valve Bulb		
13b	3000833	Strap - Expansion Valve Bulb - 0.375"		
14		Expansion Valve - See Note for Usage		
14a	000012464	Expansion Valve		[4]
14b	000012142	Expansion Valve		[5]
14c	4013299	Valve Insulation Boot - Body		
15		Compressor Mounting		
15a	5005009	Compressor Mounting Nut		
15b	000010698	Rubber Grommet		
15c	5000109	Metal Sleeve		
16	8706133	Female Wing Adapter - 0.50"		
17	8706093	Female Wing Adapter - 0.375"		
17a	1360961	Male Connector		

### Parts



# K0420

## K0420 Refrigeration Compartment

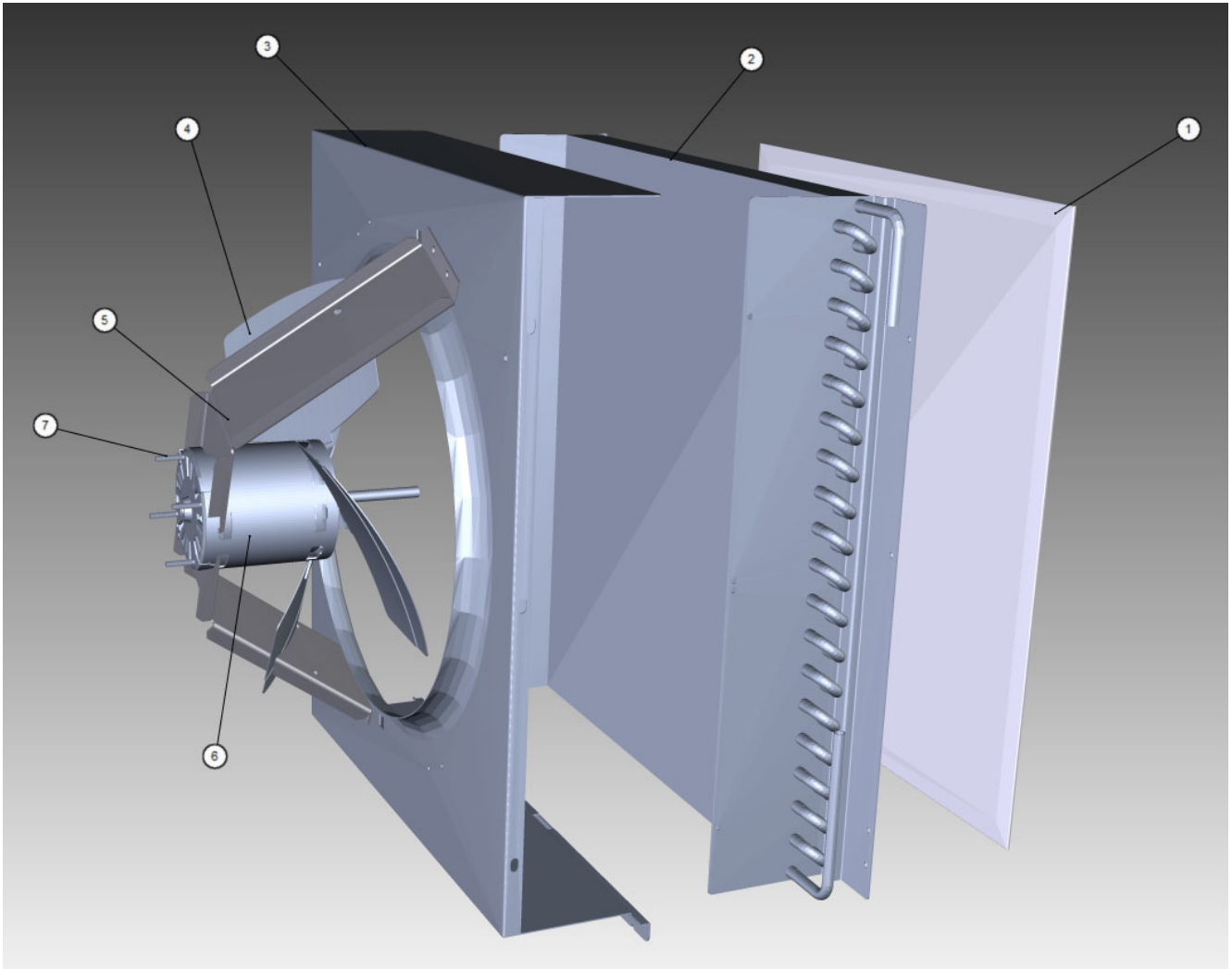
#	PART #	DESCRIPTION	QTY	Note
18		Water Inlet Valve		
18a	000009120	Water Inlet Valve - 115V/60 Hz/1 Ph		
18b	000009126	Water Inlet Valve - 208-230V/50-60 Hz		
19	000011505	Terminal Cover		
19a	000011506	Terminal Cover Gasket		
19b	000010854	Terminal Cover Nut		

### PART NOTES:

- [1] - \pages from 000005156\_02.jpg" width=280 height=256>
- [2] - \pages from 000005156\_02.jpg" width=266 height=183>
- [3] - vinyl tubing from distribution tube to water pump dump valve
- [4] - Air-cooled
- [5] - Water-cooled

# K0420

## K0420 Air-cooled Components



---

### Parts

K0420 Air-cooled Components

# K0420

## K0420 Air-cooled Components

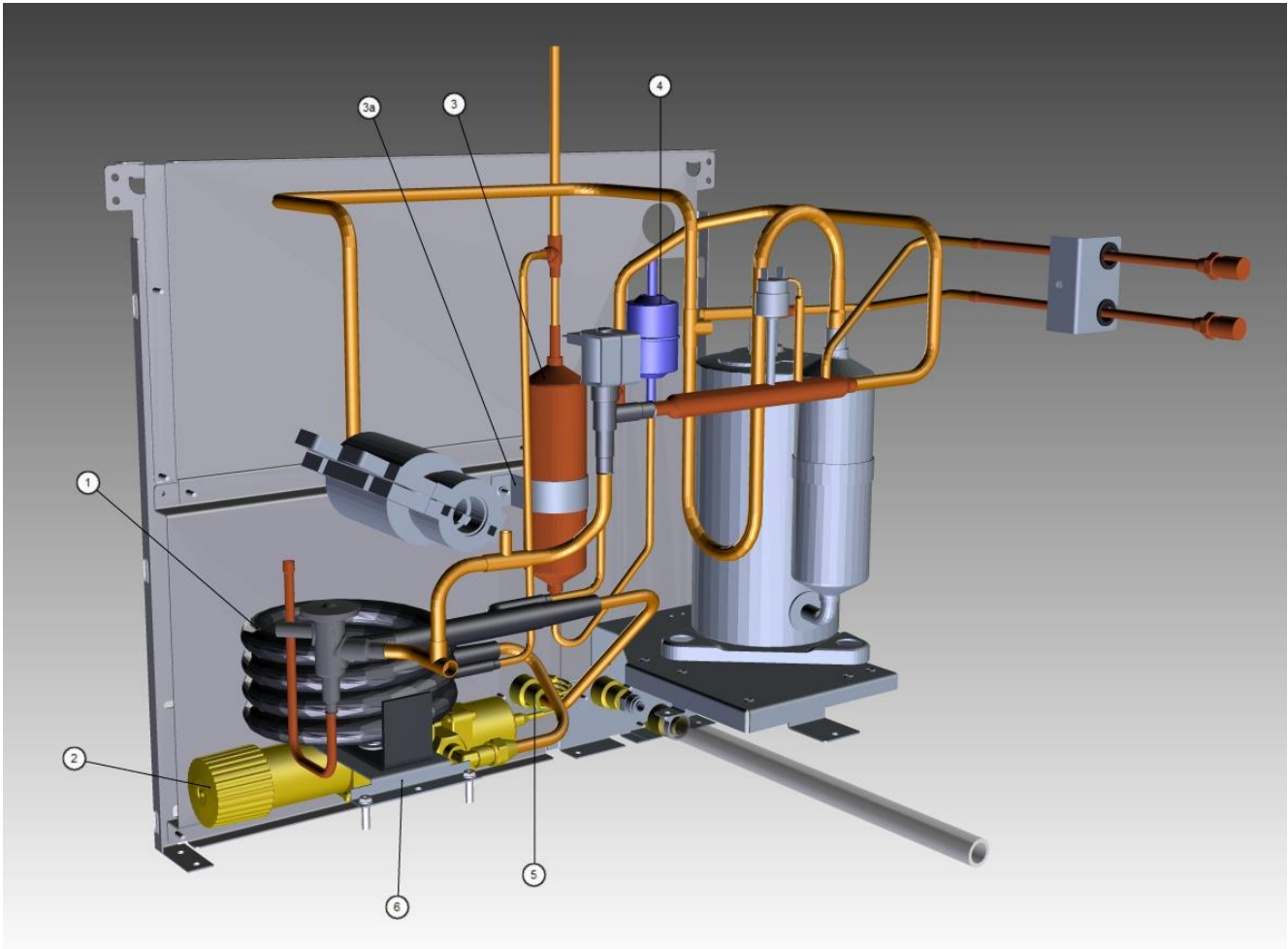
#	PART #	DESCRIPTION	QTY	Note
1	3005939	Air Filter		
2		Air Condenser - See Note for Usage		
2a	000008832	Air Condenser		[1]
2b	8252129	Air Condenser		[2]
3	000002484	Fan Shroud		
4	2416203	Fan Blade		
5	6061869	Fan Motor Bracket		
6		Fan Motor		
6a	2412929	Fan Motor 115V/60 Hz/1 Ph		
6b	2412939	Fan Motor 208-230V/50-60 Hz		
7		Fan Motor Mounting		
7a	5033589	Mounting - Screw		
7b	000000936	Mounting - Nut		
7c	5202069	Mounting - Screw - #10-24 x 0.50" HEX		

### PART NOTES:

- [1] - 60 Hz
- [2] - 50 Hz

# K0420

## K0420 Water-cooled Components



### Parts

K0420 Water-cooled Components

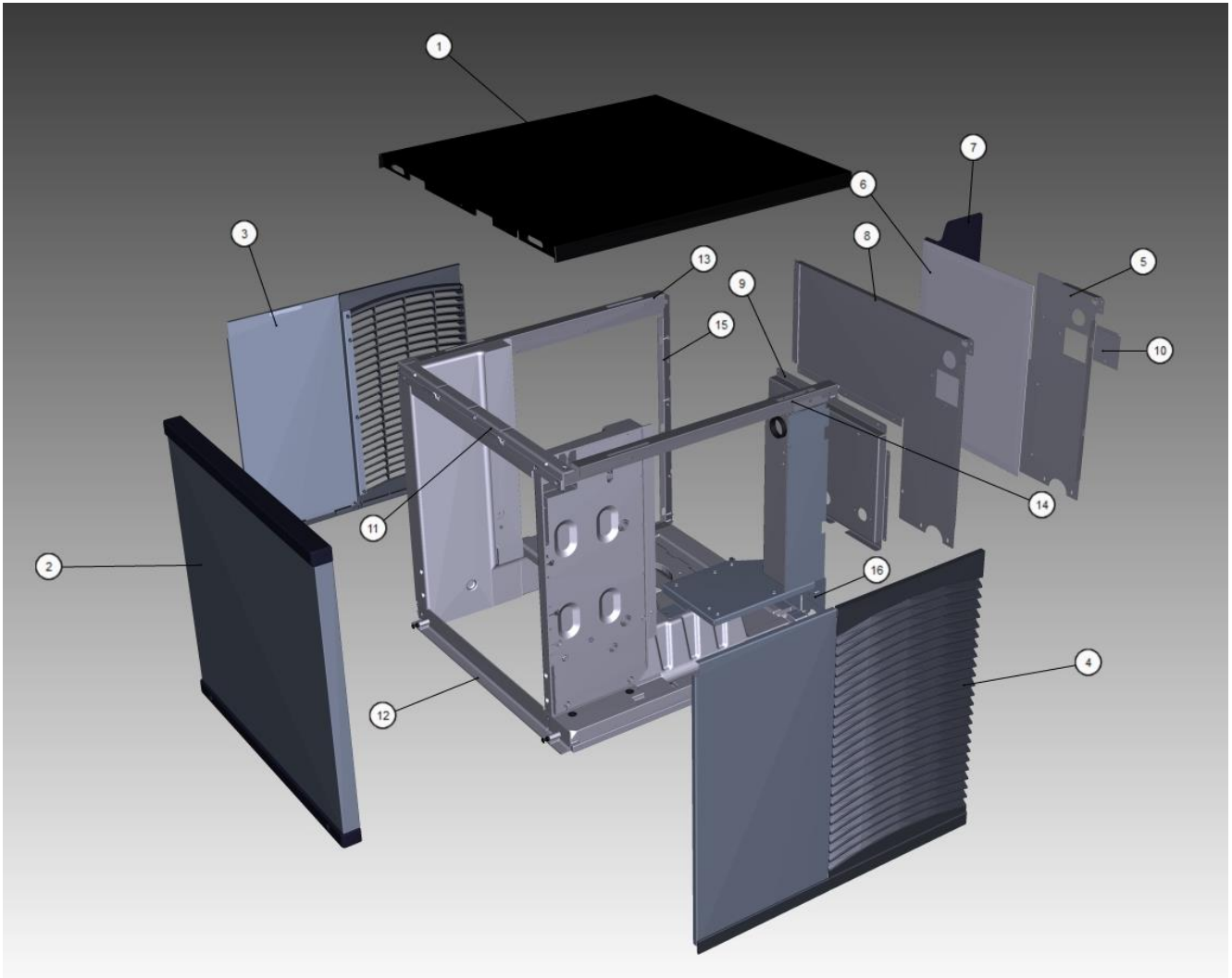
# K0420

## K0420 Water-cooled Components

#	PART #	DESCRIPTION	QTY	Note
1	000000045	Water-cooled Condenser		
2	000010620	Water Regulating Valve		
2a	5002159	Elbow 3/8 MF x 3/8 MPT		
3	000008892	Receiver		
3a	6000541	Receiver Strap		
4	8930259	Drier		
5	8706103	Adapter - 0.5" NPT x 0.375" ODF		
6	000010604	Receiver Mounting Base		
6a	5012319	Screw - #12-16 x 0.75"		
6b	5202069	Screw - #10-24 x 0.50" HEX		
6c	5573419	Washer		

# K0420

## K0420 Panels



---

### Parts

K0420 Panels

# K0420

## K0420 Panels

#	PART #	DESCRIPTION	QTY	Note
1	000011684	Top Cover		
2	000012465	Front Panel		
2a	000010293	Front Panel Mounting Brackets		
2b	000008023	Screw - #8-32 x 0.875"		
3	000011271	Right Side Panel		
4	000011272	Left Side Panel		
5	000011501	Back Panel - Air-cooled		
6	3005939	Air Filter		
7	000007314	Air Baffle Assembly		
8	000011502	Back Panel - Water-cooled		
9	000011503	Coupling Panel - Water-cooled		
10	6063999	Electrical Connection Box Cover		
11	000010721	Front Top Support		
12	000010720	Bottom Door Frame		
13	6068649	Left Top Channel		
14	6071451	Right Top Channel		
15	000011100	Left Corner Post		
16	000010975	Compressor Base		
17	000011478	Start Component Box		
17a	000011479	Cover - Start Component Box		
17b	2006143	Terminal Block - 50 Hz - 3 Pole		
17c	5202169	Screw - #10-24 x 0.50" Ground		
18	5005099	Screw - #10-16 x 0.625"		
19	8706083	Female Wing Adapter - 0.50"		
20	5202099	Screw - #10-24 x 0.50" PHIL		
21	000012468	Cartoning		

---

### Parts

K0420 Panels

