



---

MODULAR CRESCENT CUBER  
MACHINE A GLAÇONS CROISSANT MODULAIRE  
MODULARER CRESCENTEISBEREITER  
MODULAIRE MACHINE VOOR HALVEMAANVORMIGE IJSBLOKJES  
MÁQUINA MODULAR DE CUBITOS EN FORMA DE MEDIA LUNA  
FABBRICATORE DI GHIACCIO IN CUBETTI MODULARE A FORMA DI MEZZALUNA

**INSTRUCTION MANUAL  
NOTICE D'UTILISATION  
BEDIENUNGSANLEITUNG  
GEBRUIKSAANWIJZING  
MANUAL DE INSTRUCCIONES  
MANUALE D'ISTRUZIONI**

**KMD-270AA  
KMD-270AWA**

**IMPORTANT**

1. This booklet is an integral and essential part of the product and should be kept and preserved by the user. Please read carefully the guidelines and warnings contained herein as they are intended to provide the installer/user with essential information for the proper installation and the continued safe use and maintenance of the product. Please preserve this booklet for any further consultation that may be necessary.
2. This is a commercial icemaker, and should be destined only to be used for the purpose for which it has been expressly designed. Any other use should be considered improper and therefore dangerous. The manufacturer will not be held liable or responsible for any damage caused by improper, incorrect and unreasonable use.

**I. INSTALLATION INSTRUCTIONS**

**WARNING**

1. **The installation must be carried out by qualified personnel**, in accordance with current regulations, according to the manufacturer's instructions.
2. Keep ventilation openings, in the appliance enclosure or in the built-in structure, clear of obstruction.

**1. UNPACKING**

**WARNING**

Children should not be allowed in reach of the packaging elements (plastic bags and expanded polystyrene) as they are potential sources of danger.

**CAUTION**

Remove shipping carton, tape(s) and packing. If packing material is left in the icemaker, it will not work properly.

**2. LOCATION**

**IMPORTANT**

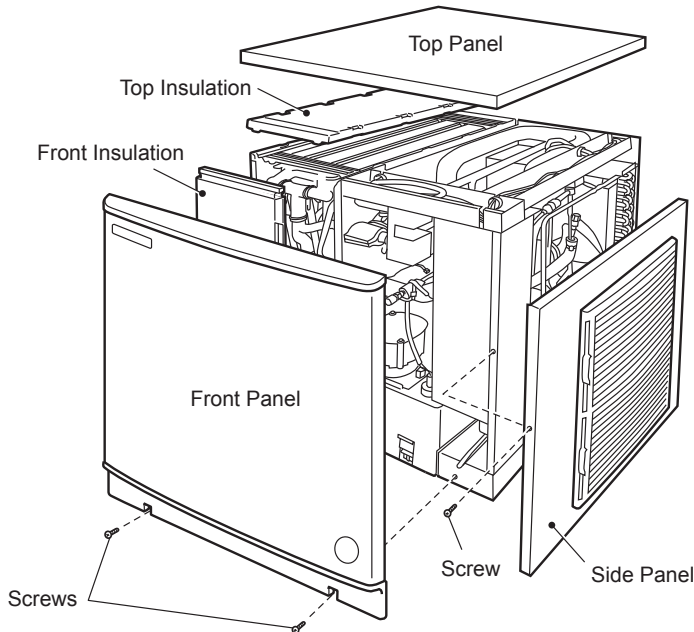
1. This icemaker is not intended for outdoor use. Normal operating ambient temperature should be within 7°C to 40°C. Normal operating water temperature should be within 7°C to 35°C. Operation of the icemaker, for extended periods, outside of these normal temperature ranges may affect production capacity.
2. The icemaker should not be located next to ovens, grills or other high heat producing equipment.
3. The location should provide a firm and level foundation for the equipment.
4. Allow 15 cm clearance at rear, left side and top and 30 cm clearance at right side for proper air circulation and ease of maintenance and/or service should they be required.
5. This appliance is not suitable for installation in an area where a water jet could be used and where dripping is not allowed.
6. Do not place anything on top of the icemaker or in front of the louver.
7. This icemaker will not work at subfreezing temperatures. To prevent damage to the water supply line, drain the icemaker when air temperature is below zero (see "II. 2. PREPARING THE ICEMAKER FOR LONG STORAGE").

**3. INSTALLATION**

- \* Incorrect installation can cause harm to people, animals or things, for which the manufacturer cannot be held responsible.
- \* Place the icemaker on top of the storage bin/dispenser unit by holding the bottom.
- \* Place the icemaker in the selected permanent site.
- \* The appliance must be positioned so that the plug is accessible.

**4. BIN CONTROL INSTALLATION**

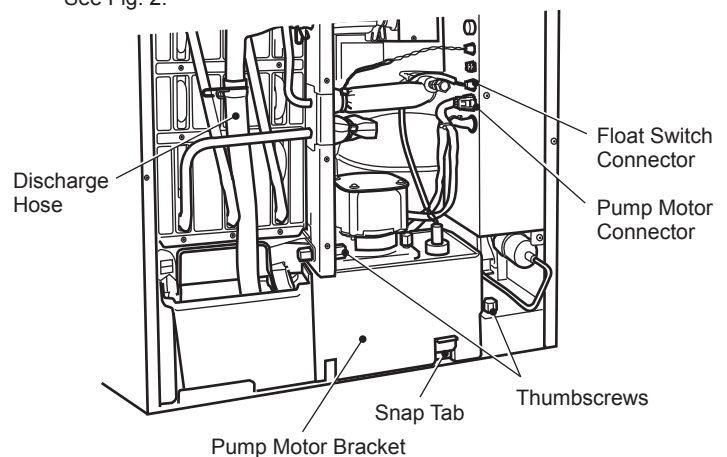
- 1) Remove the front panel, then remove the front insulation.
- 2) Loosen the two thumbscrews securing the pump motor bracket. See Fig. 2.



**Fig. 1**

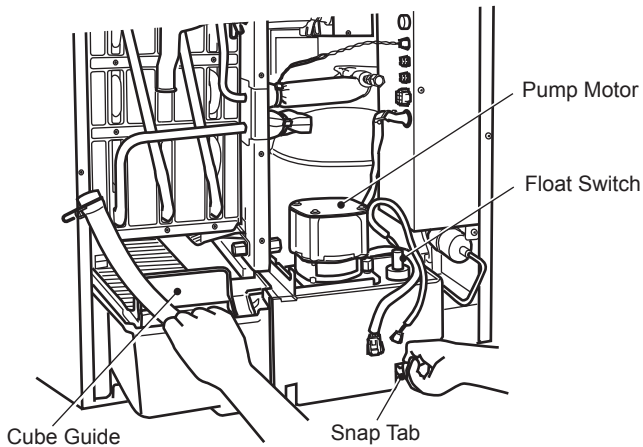
- 1) After removing the packaging, make sure that the icemaker is in good condition. If in doubt, please do not use the equipment but apply to professionally qualified personnel.
- 2) Remove shipping tape holding the components.
- 3) Remove the protective plastic film from the exterior. If the icemaker is exposed to the sun or to heat, remove the film after the icemaker cools.
- 4) Remove the package of accessories, and check the contents:
 

a) Power Supply Cord	1
b) Mounting Bracket	2
c) Bolt	2



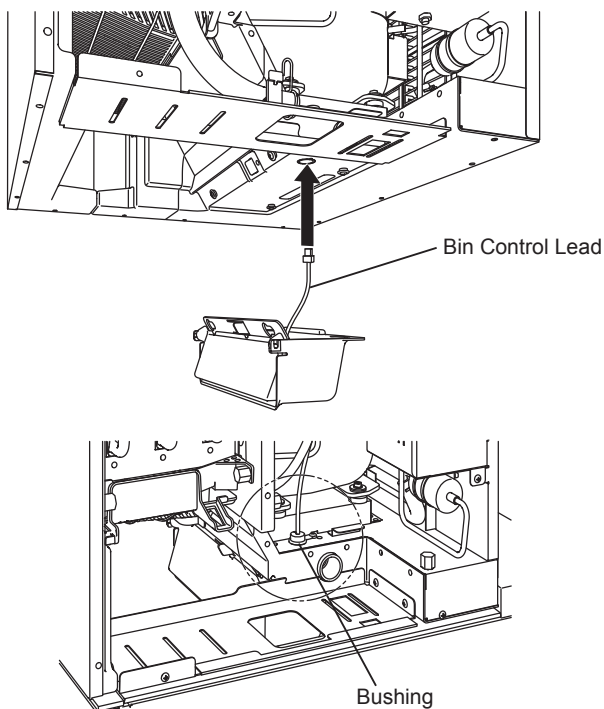
**Fig. 2**

- 3) Disconnect the discharge hose.
- 4) Disconnect the pump motor connector and float switch connector from the side of the control box.
- 5) While pushing up the snap tab at the right side of the pump motor bracket, pull out the water tank, cube guide, pump motor bracket, pump motor and float switch together. See Fig. 3.



**Fig. 3**

6) Route the bin control lead through the hole in the base, then into the bushing provided. See Fig. 4.

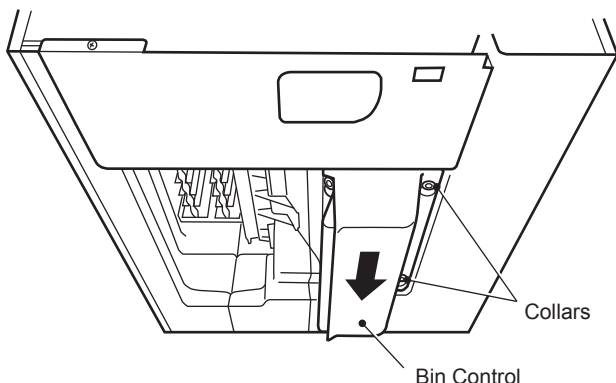


**Fig. 4**

7) While pulling up the bin control lead, hook the bin control on the right side interior wall. Then push the bin control up against the bottom of the unit, and slide to the back until it snaps in place. Make sure the slotted holes at the right side of the bin control are securely placed on the collars at the bottom of the unit. See Fig. 5.

**CAUTION**

Make sure the bin control is securely in place. Otherwise, ice may get between gaps and damage the bin control.



**Fig. 5**

8) Pull up any slack in the bin control lead, then put the bushing attached to the bin control lead back into the hole in the base.

9) Connect the bin control connector to the side of the control box.

10) Replace the water tank, cube guide, pump motor bracket, pump motor and float switch in their correct positions until they snap in place.

**CAUTION**

Be sure to let the discharge hose pass behind the copper tube and connect it securely in position. See Fig. 2. Otherwise, the discharge hose may be caught in the front insulation, leading to improper results.

11) Secure the pump motor bracket with the two thumbscrews.

12) Reconnect the pump motor connector and float switch connector.

13) Replace the front insulation and front panel in their correct positions.

## 5. ELECTRICAL CONNECTIONS

**WARNING**

**THIS APPLIANCE MUST BE EARTHED**

This icemaker requires an earth that meets the national and local electrical code requirements. To prevent possible severe electrical shock to individuals or extensive damage to equipment, install a proper earth wire to the icemaker. Remove the plug from the mains socket before any maintenance, repairs or cleaning is undertaken.

\* This appliance requires a separate 220 - 240VAC, 10A supply. The electrical supply must be protected by a suitable circuit breaker.

\* The main control box fuse is rated at 5A, 250V and should only be replaced by a qualified service engineer.

\* Usually an electrical permit and services of a licensed electrician are required.

\* If the supply cord is damaged, it must be replaced by a replacement cord available from Hoshizaki Parts/Service Centres.

**For the U.K. and the Republic of Ireland only**

\* The wires in the mains lead are coloured in accordance with the following code:

- Green & Yellow = Earth
- Blue = Neutral
- Brown = Live

As the colours of the wire in the mains lead of this appliance may not correspond with the coloured markings identifying the terminals in your plug, proceed as follows:

The wire which is coloured Green-and-Yellow must be connected to the terminal in the plug which is marked with the letter E or by the symbol  $\perp$  or coloured Green or Green-and-Yellow. The wire which is coloured Blue must be connected to the terminal which is marked with the letter N or coloured Black. The wire which is coloured Brown must be connected to the terminal which is marked with the letter L or coloured Red.

\* Should the socket outlets in the installation site not be suitable for the plug supplied with your product, the plug must be removed (cut off if it is moulded on plug) and an appropriate plug fitted.

If the non-rewirable plug has been cut from the power supply cord, it must be disposed of. There should be no attempt to reuse it. Inserting such a plug into a socket elsewhere presents a serious risk of electrical shock.

- \* The non-rewirable plug must never be used without a fuse cover being fitted.

The correct replacement for the detachable fuse cover is identifiable from the manufacturer's reference number stamped on the plug.

Supply of replacement fuse covers can be obtained from Hoshizaki Parts/Service Centres.

Fuses should be rated at 10A and approved to BS 1362.

## 6. WATER SUPPLY AND DRAIN CONNECTIONS

### WARNING

Only potable water should be used for this icemaker.

- \* The connections to the mains water supply must be made in accordance with the countries' current requirements of the Water Supply or Water Fittings Regulations.
- \* To avoid performance reduction or malfunction caused by scaling, the water supply should have a hardness of not more than 50 mg/L and a silica content of not more than 30 mg/L. Otherwise, installation of a proper water treatment device will be required.
- \* Water supply pressure should be minimum 0.07 MPa (0.7 bar) and maximum 0.8 MPa (8 bar). If the pressure exceeds 0.8 MPa (8 bar), use a pressure reducing valve. Do **NOT** throttle back the supply tap.
- \* A plumbing permit and services of a licensed plumber may be required in some areas.
- \* Water should drain into an open trap.
- \* The icemaker drain is gravity flow, so ensure drain pipe has an adequate pitch or fall.
- \* A vented tee connection is required for proper drain flow. See Fig. 6.
- \* The icemaker drain line must be run separately from the storage bin/dispenser unit drain line. See Fig. 6.
- \* There should be no backflow in the water circuit.
- \* Water supply connection is intended to be made by means of a pipe, not a hose set.

Note: Jointing compounds should be approved and suitable for potable water use.

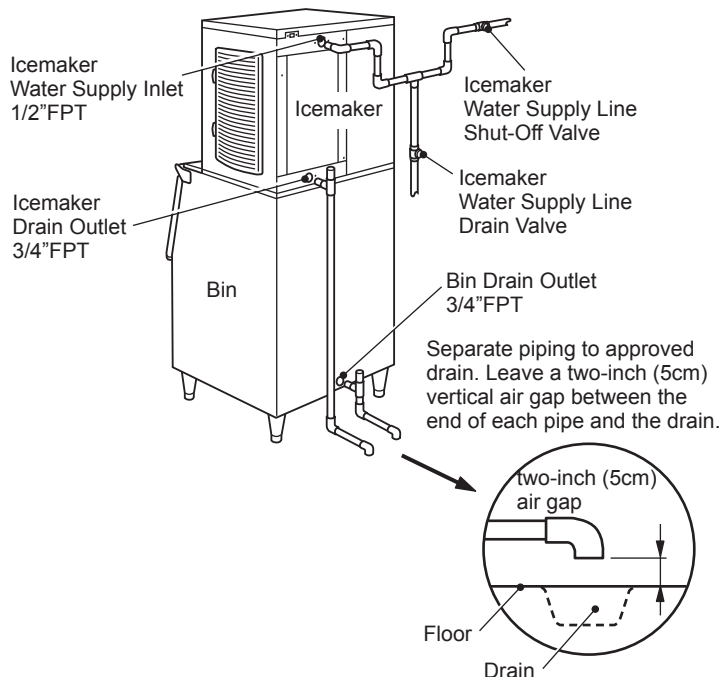


Fig. 6

## II. OPERATING INSTRUCTIONS

### WARNING

1. This icemaker is designed to produce edible ice. To keep the icemaker hygienic:
  - \* Wash your hands before removing ice. Use the plastic scoop provided (accessory).
  - \* The storage bin is for ice use only. Do not store anything else in the bin.
  - \* Clean the storage bin before use (see "III. 1. CLEANING").
  - \* Keep the scoop clean. Clean it by using a neutral cleaner and rinse thoroughly.
  - \* Close the door after removing ice to prevent entrance of dirt, dust or insects into the storage bin.
2. The use of any electrical equipment involves the observance of some fundamental rules. In particular:
  - \* Instances of high humidity and moisture increase the risk of electrical short circuits and potential electrical shocks. If in doubt, disconnect the icemaker.
  - \* Do not pull the power cord in order to disconnect the icemaker from the feed network.
  - \* This appliance is not intended for use by persons (including children) with reduced physical, sensory or mental capabilities, or lack of experience and knowledge, unless they have been given supervision or instruction concerning use of the appliance by a person responsible for their safety.
  - \* Young children should be supervised to ensure that they do not play with the appliance.
3. All parts are factory-adjusted. Improper adjustments may result in failure.
4. If the unit is turned off, wait for at least 3 minutes before restarting the icemaker to prevent damage to the compressor.

## 1. OPERATION

The installer will normally commission the icemaker to start the automatic icemaking process. To ensure continuous operation, make sure that:

- \* The water supply tap is on,
- \* The icemaker is plugged into the power supply, and
- \* The control switch is in the "ICE" position.

## 2. PREPARING THE ICEMAKER FOR LONG STORAGE

- 1) Move the control switch to the "OFF" position.
- 2) Unplug the icemaker or disconnect the power supply.
- 3) Close the water supply line shut-off valve.
- 4) Remove all ice from the storage bin/dispenser, and clean the bin/dispenser.
- 5) Ask for draining of the icemaker by professional qualified personnel.

## III. MAINTENANCE

### 1. CLEANING

#### WARNING

1. Before carrying out any cleaning or maintenance operations, unplug the icemaker from the electrical supply network.
2. Ask a trained service person to clean and sanitise the icemaker water system at least twice a year and to check and clean the condenser at least once a year.
3. This appliance must not be cleaned by use of a water jet.

4. Do not use any alcohol for cleaning/sanitisation of the icemaker. It may cause cracks on the plastic parts.

5. To prevent possible damage, do not clean the plastic parts with water above 40°C or in a dishwasher.

## [1] Machine and Bin Exterior

Wipe the exterior at least once per week with a clean, soft cloth. Use a damp cloth containing a neutral cleaner to wipe off grease or dirt.

## [2] Scoop

1) Either mix 3 litres of water with 11 ml of 5.25% sodium hypochlorite solution in a suitable container, or the recommended Hoshizaki sanitiser as directed.

2) Soak the scoop in the solution for more than 3 minutes. Rinse thoroughly, and shake to remove surplus liquid.

Note: Using a cloth to dry may re-contaminate.

## [3] Storage Bin Interior Cleaning/Sanitisation (Weekly)

1) Open the storage bin door, and remove all ice.

Note: Hoshizaki recommends various types of storage bin for the icemaker which vary in size and design. The following instructions are therefore for general guidance only.

2) Wash the bin liner and door inner surface with a neutral non-abrasive cleaner. Rinse thoroughly with a clean cloth and fresh water.

3) Either mix 5 litres of water with 18 ml of 5.25% sodium hypochlorite solution in a suitable container or the recommended Hoshizaki sanitiser as directed.

4) Soak a clean sponge or cloth with the solution, and wipe the bin liner and door inner surface.

5) Rinse thoroughly with fresh water and a clean cloth to wipe off the solution. Close the bin door.

Note: Some solutions may cause damage to the bin liner surfaces or corrosion on the metal parts. **Always** rinse the sanitiser unless directed otherwise by Hoshizaki guidelines.

## [4] Air Filter

Plastic mesh air filters remove dirt or dust from the air, and keep the condenser from getting clogged. If the filters get clogged, the icemaker's performance will be reduced. Remove and clean the air filters at least twice per month:

1) Remove the air filter.

Note: Do not put your hand inside the machine compartment.

2) Clean the air filter by using a vacuum cleaner. When severely clogged, use warm water and a neutral cleaner to wash the air filter.

3) Rinse and dry the air filter thoroughly, and place it in position.

## [5] Icemaking Water System

To keep the icemaker hygienic, periodic cleaning of the icemaking water system is recommended. Always ask a trained service person to clean the water system.

Note: 1. The washing switch on the control box is intended for use by service personnel only.

2. During normal icemaking operation, keep the washing switch in the "ICE" position.

## 2. BEFORE CALLING A SERVICE AGENT

### WARNING

Do not damage the refrigerant circuit.

If the icemaker does not work properly or does not work at all, before calling for service, check that:

- \* The power is supplied to the unit.
- \* The control switch is in the "ICE" position.
- \* The water is turned on.
- \* The air filter is clean.

For further assistance or advice, contact your local Hoshizaki service agent.

## 3. WARRANTY

Hoshizaki warrants to the original owner/user that all Hoshizaki branded products shall be free of defects in material and/or workmanship for the duration of the "warranty period". The warranty shall be effective for two years from the date of installation. Hoshizaki's liability under the terms of the warranty are limited and shall exclude routine servicing, cleaning, essential maintenance and/or repairs occasioned by misuse and installations not in accordance with Hoshizaki guidelines.

Warranty repairs should be completed by an approved Hoshizaki dealer or service agency using genuine Hoshizaki components.

To obtain full details of your warranty and approved service agency, please contact your dealer/supplier, or the nearest Hoshizaki Service office:

### Europe, Middle East, Africa

Hoshizaki UK - UK, Ireland  
TEL: +44 845 456 0585  
FAX: +44 132 283 8331  
uksales@hoshizaki.co.uk

Hoshizaki Deutschland - Germany, Switzerland, Austria  
TEL: +49 2154 92810  
FAX: +49 2154 928128  
info@hoshizaki.de

Hoshizaki France - France  
TEL: +33 1 48 63 93 80  
FAX: +33 1 48 63 93 88  
info@hoshizaki.fr

Hoshizaki Iberia - Spain, Portugal  
TEL: +34 93 478 09 52  
FAX: +34 93 478 08 00  
info@hoshizaki.es

Hoshizaki Middle East - Middle East  
TEL: +971 48 876 612  
FAX: +971 48 876 613  
sales@hoshizaki.ae

Hoshizaki Nederland & Belgie - Netherlands, Belgium, Luxembourg  
TEL: +31 20 5650420 (Nederland)  
TEL: +32 2 712 30 30 (Belgie)  
FAX: +31 20 6918768  
sales@hoshizaki.nl (Nederland)  
info@hoshizaki.be (Belgie)

Hoshizaki Europe B.V. - all other countries within Europe and Africa  
TEL: +31 20 6918499  
FAX: +31 20 6918768  
sales@hoshizaki.nl

## Asia, Oceania

Hoshizaki Singapore  
 TEL: +65 6225 2612  
 FAX: +65 6225 3219

Hoshizaki Taiwan  
 TEL: +886 2 2748 1589  
 FAX: +886 2 2747 1559

Hoshizaki Hong Kong  
 TEL: +852 2866-2108  
 FAX: +852 2866-2109

Hoshizaki Lancer  
 TEL: +61 8 8268 1388  
 FAX: +61 8 8268 1978

## IV. DISPOSAL

Comply with local regulations regarding disposal of this appliance and its refrigerant gas. Before you scrap the appliance, take off the door to prevent children trapped.

Correct disposal of this product:

This marking indicates that this product should not be disposed with other household wastes throughout the EU. To prevent possible harm to the environment or human health from uncontrolled waste disposal, recycle it responsibly to promote the sustainable reuse of material resources. To return your used device, use the return and collection systems or contact the retailer where the product was purchased. They can take this product for environmental safe recycling.



	<b>IMPORTANT</b>
The insulation foaming agent used for the unit body contains flammable gas cyclopentane. With this in mind, dispose of the product properly.	

**This product includes a hermetically sealed refrigeration system that contains fluorinated greenhouse gases covered by the Kyoto Protocol:**

KMD-270AA (50Hz)	R404A / GWP 3920 / 0.78kg
KMD-270AA (60Hz)	R404A / GWP 3920 / 0.78kg
KMD-270AWA (50Hz)	R404A / GWP 3920 / 0.55kg
KMD-270AWA (60Hz)	R404A / GWP 3920 / 0.50kg

**This product meets the essential health and safety requirements demanded by the following regulations:**

- EMC Directive (2004/108/EC)
- Low Voltage Directive (2006/95/EC)
- RoHS Directive (2011/65/EU)
- Food Contact Materials Regulation (EC 1935/2004)

**Authorized Representative:**  
 Hoshizaki Europe B.V.  
 Keienbergweg 50 C/D, 1101 GC Amsterdam, The Netherlands

## IMPORTANT

1. Ce livret est un élément essentiel qui fait partie intégrante du produit et il doit être conservé soigneusement par l'utilisateur. Veuillez lire attentivement les conseils et les avertissements qui s'y trouvent, car ils ont pour but de fournir à l'installateur et à l'utilisateur des informations essentielles pour une installation correcte, une utilisation en toute sécurité et un entretien adéquat du produit. Veuillez conserver précieusement ce livret pour toute référence ultérieure.
2. Cette machine à glace a été conçue pour des applications commerciales ; elle ne peut être utilisée qu'aux fins auxquelles elle est expressément destinée. Toute autre utilisation doit être considérée comme inappropriée et donc dangereuse. Le fabricant décline toute responsabilité pour les dégâts provoqués par une utilisation inappropriée, incorrecte et abusive.

## I. CONSIGNES D'INSTALLATION

### AVERTISSEMENT

1. **L'installation doit être effectuée par un personnel qualifié**, conformément aux réglementations en vigueur et aux consignes du fabricant.
2. Veillez à ce que les ouvertures de ventilation de l'enceinte de l'appareil et de la structure intégrée ne soient pas obstruées.

## 1. DEBALLAGE

### AVERTISSEMENT

Les enfants doivent être tenus à l'écart des éléments d'emballage (sacs en plastique et polystyrène expansé) car ils constituent des sources de danger potentielles.

### ATTENTION

Enlever le carton de transport, le ruban adhésif et le matériel d'emballage. S'il reste des matériaux d'emballage dans la machine à glace, elle ne fonctionnera pas correctement.

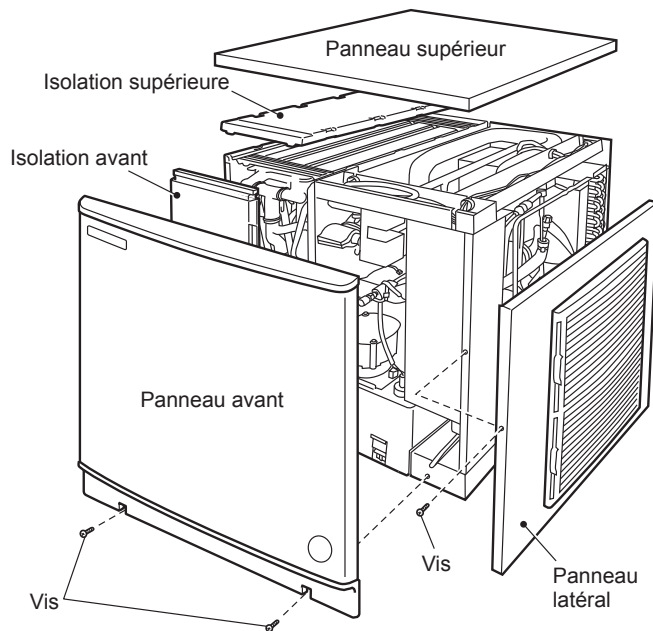


Fig. 1

- 1) Une fois les matériaux d'emballage enlevés, vérifier que la machine à glace est en bon état. En cas de doute, ne pas utiliser l'appareil et faire appel à un technicien qualifié.
- 2) Enlevez le ruban adhésif qui retient les composants pour le transport.
- 3) Retirer le film protecteur en plastique recouvrant l'extérieur. Si la machine à glace a été exposée au soleil ou à la chaleur, la laisser refroidir avant d'enlever le film.

4) Retirer le paquet d'accessoires et vérifier son contenu :

- |                                     |   |
|-------------------------------------|---|
| a) Cordon d'alimentation électrique | 1 |
| b) Support de fixation              | 2 |
| c) Boulon                           | 2 |

## 2. EMPLACEMENT

### IMPORTANT

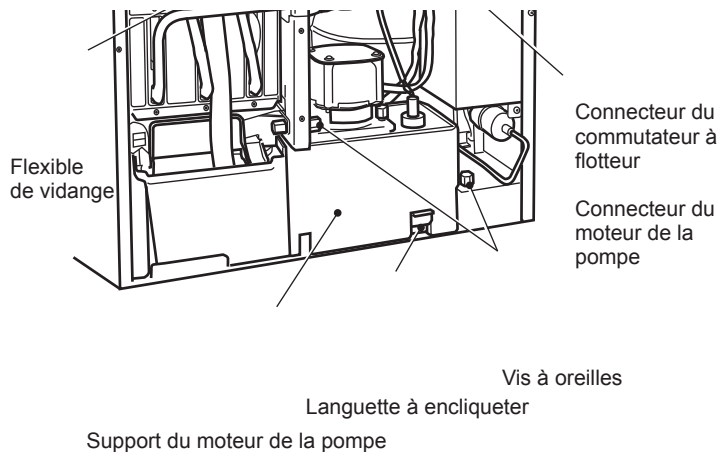
1. Cette machine à glace n'est pas conçue pour être utilisée à l'extérieur. La température ambiante normale de service doit être comprise entre 7 °C et 40 °C. La température normale de service de l'eau doit être comprise entre 7 °C et 35 °C. Un fonctionnement prolongé de la machine en dehors de ces plages de températures risque d'affecter la capacité de production de glace.
2. La machine à glace ne doit pas être placée à proximité de fours, de grills ou de toute autre source de chaleur importante.
3. La machine doit avoir une assise solide et horizontale.
4. Pour assurer une bonne circulation d'air et faciliter les opérations de maintenance et/ou d'entretien, prévoir 15 cm de dégagement à l'arrière, sur le côté gauche et sur le dessus de la machine, et 30 cm de dégagement sur le côté droit.
5. Cette machine ne doit pas être installée dans un local où l'on risque d'utiliser un jet d'eau ou dans lequel l'utilisation de matériel produisant des gouttes d'eau est préjudiciable.
6. Ne rien poser sur le dessus de la machine ni devant le volet d'aération.
7. La machine à glace ne fonctionnera pas aux températures au-dessous de zéro. Pour prévenir tout dommage à la conduite d'alimentation en eau, vidanger la machine à glace lorsque la température de l'air est inférieure à zéro (voir « II. 2. PREPARATION DU DISTRIBUTEUR DE GLACE EN VUE D'UN ENTREPOSAGE DE LONGUE DUREE »).

## 3. INSTALLATION

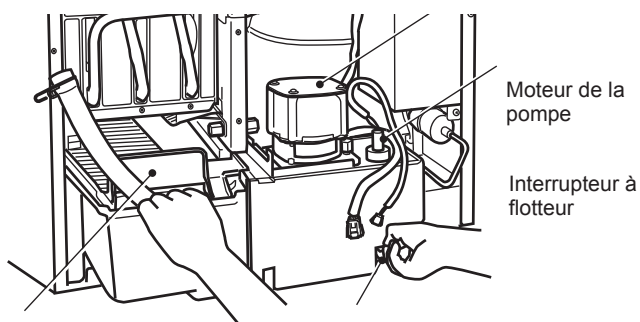
- \* Une installation incorrecte de la machine peut avoir des conséquences néfastes sur les personnes, les animaux ou les choses, pour lesquelles le fabricant ne peut être tenu responsable.
- \* Placer la machine à glace au-dessus du bac de stockage/distributeur en tenant sa partie inférieure.
- \* Placer la machine à glace à l'endroit choisi pour son installation.
- \* L'appareil doit être placé de telle sorte que la fiche soit accessible.

## 4. INSTALLATION DE LA COMMANDE DU BAC

- 1) Retirer le panneau avant, puis l'isolation avant.
- 2) Desserrer les deux vis à oreilles fixant le support du moteur de la pompe. Voir fig. 2.
- 3) Débrancher le tuyau de déchargement.
- 4) Débrancher le connecteur du moteur de la pompe et le connecteur du commutateur à flotteur du côté du boîtier de commande.
- 5) Tout en poussant vers le haut la languette à encliqueter située sur le côté droit du support du moteur de la pompe, extraire simultanément le réservoir d'eau, le guide-glaçons, le support du moteur de la pompe, le moteur de la pompe et le commutateur à flotteur. Voir fig. 3.



**Fig. 2**

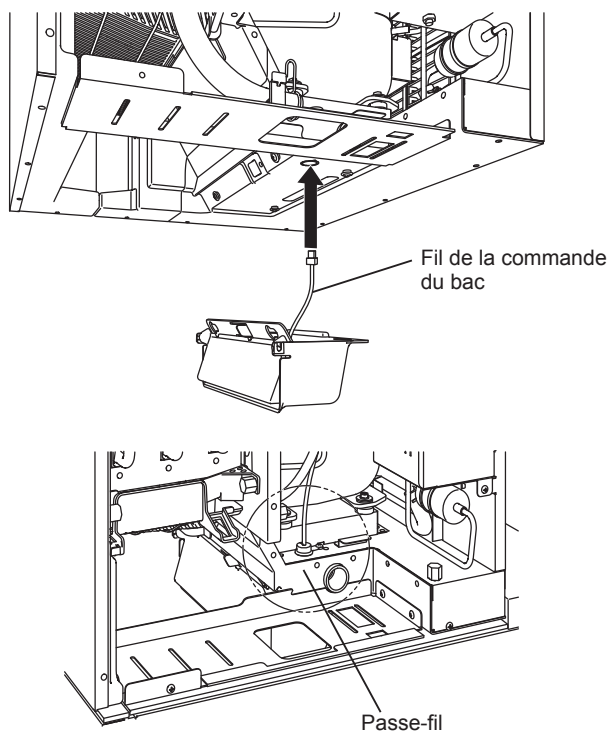


**Fig. 3**

Guide glaçons

Languette à encliqueter

6) Faire passer le fil de la commande du bac par l'orifice situé à la base, puis dans le passe-fil fourni. Voir fig. 4.



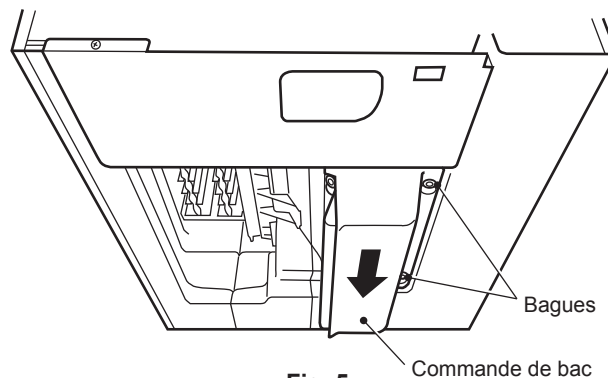
**Fig. 4**

7) Tout en tirant le fil de la commande du bac vers le haut, fixer la commande du bac sur la paroi intérieure, du côté droit. Soulever ensuite la commande du bac contre la partie inférieure de l'appareil et la faire glisser vers l'arrière jusqu'à ce qu'un déclic confirme

sa mise en place. Les trous à rainures situés du côté droit de la commande du bac doivent être placés sur les bagues, au niveau de la partie inférieure de l'appareil. Voir fig. 5.

### ATTENTION

La commande du bac doit être bien placée, faute de quoi de la glace risque de se coincer dans les trous et l'endommager.



**Fig. 5**

- 8) Eliminer tout mou au niveau du fil de la commande du bac, puis remettre le passe-fil fixé au fil de la commande du bac dans l'orifice de la base.
- 9) Brancher le connecteur de la commande du bac sur le côté du boîtier de commande.
- 10) Remettre le réservoir d'eau, le guide-glaçons, le support du moteur de la pompe, le moteur de la pompe et le commutateur à flotteur dans leurs positions respectives correctes.

### ATTENTION

Veiller à faire passer le tuyau d'évacuation derrière le tube en cuivre et à le raccorder correctement. Voir fig. 2. Dans le cas contraire, le tuyau de déchargement peut être coincé dans l'isolation avant, entraînant des résultats incorrects.

- 11) Fixer le support du moteur de la pompe avec les deux vis à oreilles.
- 12) Rebrancher le connecteur du moteur de la pompe et le connecteur du commutateur à flotteur.
- 13) Reposer l'isolation avant et le panneau avant à leurs positions initiales.

## 5. BRANCHEMENTS ELECTRIQUES

### AVERTISSEMENT

#### CET APPAREIL DOIT ETRE MIS A LA TERRE

Cette machine à glace doit avoir une mise à la terre qui respecte les réglementations électriques nationales et locales. Pour éviter tout risque de décharges électriques graves ou de dégâts importants au matériel, installer un câble de mise à la terre approprié sur la machine. Avant toute intervention d'entretien, de réparation ou de nettoyage, débrancher la fiche de la prise d'alimentation secteur.

- \* Cet appareil nécessite une alimentation 220 - 240 V CA 10 A séparée. L'alimentation électrique doit être protégée par un disjoncteur approprié.
- \* Le fusible du boîtier de commande principal est étalonné à 5 A 250 V et ne doit être remplacé que par un technicien d'entretien qualifié.
- \* En général, l'installation nécessite une autorisation pour travaux électriques et les services d'un électricien qualifié.
- \* Si le cordon d'alimentation est endommagé, il doit être remplacé par un cordon de rechange disponible auprès des centres de pièces détachées et d'entretien Hoshizaki.



## Pour le Royaume-Uni et la République d'Irlande uniquement

\* Les fils du cordon d'alimentation électrique présentent le codage couleur suivant :

Vert et jaune = Terre  
Bleu = Neutre  
Marron = Sous tension

La couleur des conducteurs du cordon d'alimentation de cet appareil peut ne pas correspondre au marquage couleur des bornes de votre fiche ; dans ce cas, procéder comme suit :

Le fil vert et jaune doit être relié à la borne de la fiche repérée par la lettre E ou par le symbole  $\perp$  ou la couleur verte ou verte et jaune. Le conducteur bleu doit être raccordé à la borne portant la lettre N ou de couleur noire. Le conducteur marron doit être raccordé à la borne portant la lettre L ou de couleur rouge.

\* Si la fiche livrée avec la machine ne convient pas aux prises du local d'installation, l'enlever (la couper s'il s'agit d'une fiche moulée) et en monter une autre.

Une fiche non recâblable enlevée doit être jetée. Elle ne peut en aucun cas être réutilisée. L'insertion de ce type de fiche dans une autre prise présente des risques graves de décharges électriques.

\* La fiche non recâblable ne doit jamais être utilisée sans un protège-fusible.

Le numéro de référence du protège-fusible amovible est imprimé sur la fiche. Utiliser cette référence pour toute commande de pièce.

Il est possible de se procurer des protège-fusibles de remplacement auprès des centres de pièces détachées et d'entretien Hoshizaki.

Les fusibles doivent être étalonnés à 10 A et agréés selon la norme BS 1362.

## 6. BRANCHEMENTS D'ARRIVEE ET DE VIDANGE D'EAU

### AVERTISSEMENT

Cette machine à glace ne doit utiliser que de l'eau potable.

\* Les raccordements à l'alimentation en eau du réseau doivent être réalisés conformément aux exigences nationales en vigueur des réglementations sur l'alimentation en eau ou les raccords.

\* Pour éviter une diminution des performances ou un dysfonctionnement provoqués par un entartrage, la dureté de l'eau ne doit pas excéder 50 mg/l et le taux de silice doit être inférieur à 30 mg/l. Sinon, l'installation d'un dispositif de traitement de l'eau adéquat sera nécessaire.

\* La pression de l'alimentation en eau doit être de 0,07 MPa (0,7 bar) au minimum et de 0,8 MPa (8 bar) au maximum. Si la pression dépasse 0,8 MPa (8 bar), utiliser un réducteur de pression. Ne PAS réduire le débit du robinet d'alimentation.

\* Dans certaines régions, il est possible qu'il faille obtenir une autorisation pour effectuer les travaux de plomberie et avoir recours aux services d'un plombier autorisé.

\* L'eau doit être évacuée dans un bac ouvert.

\* La vidange d'eau de la machine à glace s'effectue par gravité : le tuyau de vidange doit donc avoir une inclinaison ou une hauteur de chute suffisantes.

\* Un raccord en T à évent est nécessaire au flux de vidange correct. Voir fig. 6.

\* La conduite de vidange de la machine à glace doit être distincte de la conduite de vidange de l'appareil de distribution/du bac de stockage. Voir fig. 6.

\* Il ne doit pas y avoir de refoulement dans le circuit d'eau.

\* La connexion de l'alimentation en eau est censée être faite par un tuyau en dur et non pas souple.

Remarque : Les produits d'étanchéité pour joints doivent être approuvés et adaptés à une utilisation avec de l'eau potable.

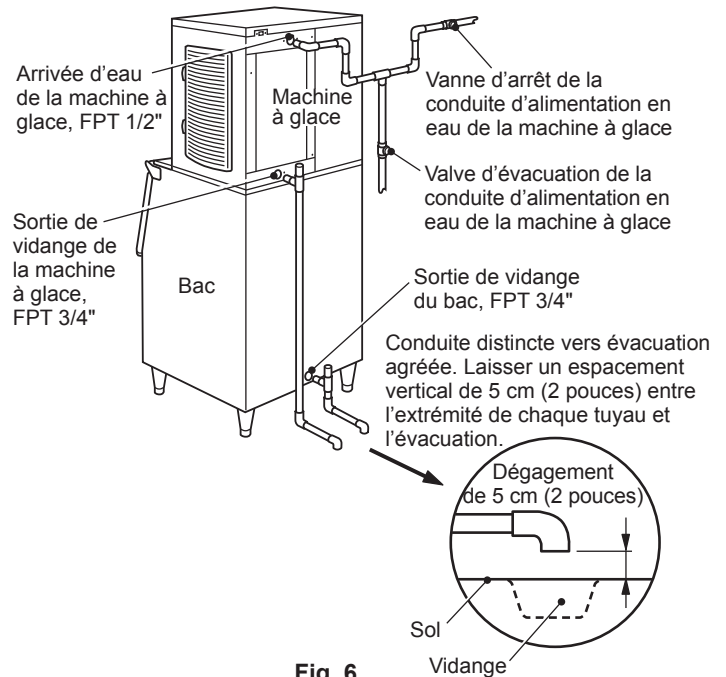


Fig. 6

## II. CONSIGNES D'UTILISATION

### AVERTISSEMENT

- Cette machine à glace est conçue pour produire de la glace alimentaire. Pour la maintenir dans un parfait état d'hygiène :
  - \* Se laver les mains avant d'extraire la glace. Utiliser la pelle en plastique (accessoire) prévue à cet effet.
  - \* Le bac de stockage est destiné uniquement à la glace. N'entreposer que de la glace dans ce bac.
  - \* Avant d'utiliser la machine, nettoyer le bac de stockage (voir « III. 1. NETTOYAGE »).
  - \* Veiller à la propreté de la pelle. La nettoyer en utilisant un produit nettoyant neutre et la rincer soigneusement.
  - \* Une fois la glace retirée, fermer la porte pour éviter que des saletés, de la poussière ou des insectes ne s'introduisent dans le bac de stockage.
- L'utilisation de tout appareil électrique implique le respect de certaines règles fondamentales. En particulier :
  - \* En cas de forte humidité, les risques de court-circuit et d'électrocution augmentent. En cas de doute, débrancher la machine à glace.
  - \* Ne pas débrancher la machine à glace en tirant sur son cordon d'alimentation.
  - \* Cet appareil n'a pas été conçu pour être utilisé par des personnes (enfants compris) aux capacités physiques, sensorielles ou mentales réduites, ni par des personnes dont l'expérience et les connaissances sont limitées, sauf si elles sont sous la surveillance d'une personne responsable de leur sécurité ou que celle-ci leur a donné des instructions relatives à l'utilisation de l'appareil.
  - \* Surveiller les jeunes enfants pour éviter qu'ils ne jouent avec l'appareil.
- Toutes les pièces sont réglées en usine. Tout mauvais réglage risque de provoquer une panne.
- Après avoir arrêté l'appareil, attendre au moins 3 minutes avant de le remettre sous tension pour éviter d'endommager le compresseur.

## 1. FONCTIONNEMENT

L'installateur met généralement la machine à glace en service pour mettre en route la production automatique de glace. Afin de garantir un fonctionnement en continu, s'assurer que :

- \* Le robinet d'arrivée d'eau est ouvert,
- \* La machine à glace est branchée à l'alimentation électrique, et
- \* Le commutateur de commande est en position « ICE ».

## 2. PREPARATION DU DISTRIBUTEUR DE GLACE EN VUE D'UN ENTREPOSAGE DE LONGUE DUREE

- 1) Mettre le commutateur de commande sur « OFF ».
- 2) Débrancher la machine à glace ou couper l'alimentation.
- 3) Fermer la vanne d'arrêt de la conduite d'alimentation d'eau.
- 4) Retirer toute la glace se trouvant dans le bac de stockage/ distributeur et le nettoyer.
- 5) Faites effectuer la vidange de la machine à glace par un technicien qualifié.

## III. ENTRETIEN

### 1. NETTOYAGE

#### AVERTISSEMENT

1. Avant toute opération de nettoyage ou d'entretien, débrancher l'alimentation électrique de la machine à glace.
2. Faire nettoyer et désinfecter le système d'eau de la machine à glace par un technicien qualifié au moins deux fois par an et faire vérifier et nettoyer le condenseur au moins une fois par an.
3. Cet appareil ne doit pas être nettoyé à l'aide d'un jet d'eau.
4. Ne jamais nettoyer / désinfecter la machine à glace avec de l'alcool. Les pièces en plastique risqueraient de se fissurer.
5. Afin d'éviter tout dommage possible, ne pas nettoyer les pièces en plastique avec de l'eau à plus de 40 °C ou dans un lave-vaisselle.

#### [1] Extérieur de la machine et du bac

Essuyer l'extérieur au moins une fois par semaine à l'aide d'un chiffon doux et propre. Pour éliminer les traces de graisse ou les salissures, utiliser un chiffon imbibé d'un produit de nettoyage neutre.

#### [2] Pelle

- 1) Mélanger 3 litres d'eau avec 11 ml de solution d'hypochlorite de sodium à 5,25 % dans un récipient adapté ou utiliser le désinfectant Hoshizaki en suivant les instructions d'utilisation du produit.
- 2) Plonger la pelle dans la solution pendant plus de 3 minutes. Rincer à fond et agiter pour éliminer l'excédent de liquide.

Remarque : le séchage à l'aide d'un chiffon risque de provoquer une nouvelle contamination.

#### [3] Nettoyage/désinfection de l'intérieur du bac de stockage (hebdomadairement)

- 1) Ouvrir la porte du bac de stockage et retirer toute la glace.

Remarque : Hoshizaki recommande différents types de bacs de stockage pour la machine à glace, dont la taille et la conception peuvent varier. Les instructions suivantes sont donc uniquement fournies à titre indicatif.

- 2) Laver le revêtement du bac et la surface interne de la porte avec un produit nettoyant neutre non abrasif. Rincer avec de l'eau propre et un chiffon propre.

- 3) Mélanger 5 litres d'eau avec 18 ml de solution d'hypochlorite de sodium à 5,25 % dans un récipient adapté, ou utiliser le désinfectant Hoshizaki en suivant les instructions d'utilisation du produit.

- 4) Imbiber de solution une éponge ou un chiffon propre et essuyer le revêtement du bac et la surface interne de la porte.

- 5) Rincer abondamment avec de l'eau propre et utiliser un chiffon propre pour essuyer la solution. Fermer la porte du bac.

Remarque : Certaines solutions risquent d'endommager les surfaces du revêtement du bac ou de rouiller les pièces métalliques. Toujours rincer le produit désinfectant pour l'éliminer, sauf mention contraire de Hoshizaki.

#### [4] Filtre à air

Des filtres à air en plastique permettent de filtrer les impuretés et la poussière de l'air, et empêchent l'obturation du condenseur. En cas de colmatage des filtres, les performances de la machine à glace seront affectées. Déposer et nettoyer les filtres à air au moins deux fois par mois :

- 1) Retirer le filtre à air.

Remarque : Ne pas mettre les mains à l'intérieur de l'appareil.

- 2) Utiliser un aspirateur pour nettoyer le filtre à air. En cas de colmatage important, laver le filtre à air en utilisant une solution d'eau chaude et de produit nettoyant neutre.

- 3) Rincer le filtre à air et bien le sécher avant de le reposer.

#### [5] Système d'eau de la machine à glace

Pour maintenir la machine à glace dans un parfait état d'hygiène, il est conseillé de nettoyer périodiquement son système d'eau. Toujours demander à un technicien qualifié de procéder à ce nettoyage.

Remarque : 1. L'usage du commutateur de lavage du boîtier de commande est réservé au personnel d'entretien.

2. Laisser le commutateur de lavage en position « ICE » lors de l'opération de fabrication de glace normale.

## 2. AVANT DE CONTACTER UN AGENT D'ENTRETIEN

#### AVERTISSEMENT

Veiller à ne pas endommager le circuit réfrigérant.

Si la machine à glace ne fonctionne pas correctement ou pas du tout, effectuer les contrôles suivants avant de faire appel au service d'assistance :

- \* L'appareil est sous tension.
- \* Le commutateur de commande est en position « ICE ».
- \* Le robinet d'eau est ouvert.
- \* Le filtre à air est propre.

Pour tout autre conseil ou assistance, contacter le réparateur Hoshizaki le plus proche de chez vous.

## 3. GARANTIE

Hoshizaki garantit au propriétaire/à l'utilisateur d'origine que tous les produits portant la marque Hoshizaki seront exempts de tout défaut et/ou vice de fabrication au cours de la « période de garantie ». La garantie est valable deux ans à compter de la date d'installation.

La responsabilité de Hoshizaki aux termes de la garantie est limitée et exclut les interventions d'entretien de routine, de nettoyage, de maintenance essentielle et/ou les réparations découlant d'une utilisation abusive et d'installations non conformes aux directives de Hoshizaki.

Les réparations effectuées au titre de la garantie doivent être effectuées par un revendeur ou un réparateur agréé Hoshizaki utilisant des composants Hoshizaki d'origine.

Pour tout renseignement sur votre garantie et les agents de service agréés, veuillez prendre contact avec votre distributeur/fournisseur ou le centre de services Hoshizaki le plus proche :

## Europe, Moyen Orient, Afrique

Hoshizaki UK - Royaume-Uni, Irlande  
TEL: +44 845 456 0585  
FAX: +44 132 283 8331  
uksales@hoshizaki.co.uk

Hoshizaki Deutschland - Allemagne, Suisse, Autriche  
TEL: +49 2154 92810  
FAX: +49 2154 928128  
info@hoshizaki.de

Hoshizaki France - France  
TEL: +33 1 48 63 93 80  
FAX: +33 1 48 63 93 88  
info@hoshizaki.fr

Hoshizaki Iberia - Espagne, Portugal  
TEL: +34 93 478 09 52  
FAX: +34 93 478 08 00  
info@hoshizaki.es

Hoshizaki Middle East - Moyen Orient  
TEL: +971 48 876 612  
FAX: +971 48 876 613  
sales@hoshizaki.ae

Hoshizaki Nederland & België - Pays-Bas, Belgique, Luxembourg  
TEL: +31 20 5650420 (Nederland)  
TEL: +32 2 712 30 30 (België)  
FAX: +31 20 6918768  
sales@hoshizaki.nl (Nederland)  
info@hoshizaki.be (België)

Hoshizaki Europe B.V. - tous les autres pays européens et Afrique  
TEL: +31 20 6918499  
FAX: +31 20 6918768  
sales@hoshizaki.nl

## Asie, Océanie

Hoshizaki Singapore  
TEL: +65 6225 2612  
FAX: +65 6225 3219

Hoshizaki Taiwan  
TEL: +886 2 2748 1589  
FAX: +886 2 2747 1559

Hoshizaki Hong Kong  
TEL: +852 2866-2108  
FAX: +852 2866-2109

Hoshizaki Lancer  
TEL: +61 8 8268 1388  
FAX: +61 8 8268 1978

## IV. MISE AU REBUT

Respecter les réglementations locales relatives à la mise au rebut de cet appareil et de son fluide frigorigène. Avant de mettre l'appareil au rebut, enlever la porte pour éviter qu'un enfant ne reste emprisonné.

Mise au rebut correcte de ce produit :

Ce symbole indique que ce produit ne doit pas être mis au rebut avec d'autres déchets ménagers dans l'UE. Pour empêcher que le dépôt non contrôlé de déchets ne nuise à l'environnement ou à la santé, recycler ce produit de manière responsable de sorte que les ressources matérielles soient réutilisées durablement. Pour se débarrasser de l'appareil usagé, s'adresser aux services de collecte de déchets ou contacter le détaillant où le produit a été acheté. Ils peuvent prendre en charge ce produit et le recycler de manière respectueuse pour l'environnement.



### IMPORTANT



La garniture isolante utilisée dans le corps de l'unité contient un gaz inflammable : le cyclopentane. Prenez cela en compte lorsque vous mettez le produit au rebut afin de le recycler correctement.

**Ce produit comprend un système de réfrigération hermétiquement fermé qui contient des gaz à effet de serre fluorés couverts par le Protocole de Kyoto :**

KMD-270AA (50Hz)	R404A / GWP 3920 / 0,78kg
KMD-270AA (60Hz)	R404A / GWP 3920 / 0,78kg
KMD-270AWA (50Hz)	R404A / GWP 3920 / 0,55kg
KMD-270AWA (60Hz)	R404A / GWP 3920 / 0,50kg

**Cet appareil est conforme aux exigences relatives à la santé et la sécurité des réglementations suivantes :**

Directive EMC (2004/108/CE)  
Directive basse tension (2006/95/CE)  
Directive RoHS (2011/65/EU)  
Règlement concernant les matériaux et objets destinés à entrer en contact avec des denrées alimentaires (CE 1935/2004)

Représentant autorisé :  
Hoshizaki Europe B.V.  
Keienbergweg 50 C/D, 1101 GC Amsterdam, Pays Bas

## WICHTIG

1. Diese Broschüre ist ein integraler und wesentlicher Bestandteil des Produkts und ist deshalb vom Benutzer aufzubewahren. Bitte lesen Sie die Hinweise und Warnungen sorgfältig durch, da sie wichtige Informationen für die sachgemäße Installation, einen langen, sicheren Gebrauch und die Wartung des Produkts enthalten. Bitte heben Sie diese Bedienungsanleitung auf, damit Sie bei Bedarf darauf zurückgreifen können.
2. Dies ist ein Eisbereiter für den gewerblichen Einsatz, der ausschließlich für den vorgesehenen Zweck zu benutzen ist. Jede andere Verwendung ist als Zweckentfremdung und somit als gefährlich anzusehen. Der Hersteller übernimmt keine Haftung oder Verantwortung für Schäden, die durch missbräuchliche, falsche oder unangemessene Verwendung verursacht werden.

## I. INSTALLATIONSANLEITUNG

### WARNUNG

1. Die Installation ist von qualifiziertem Personal in Übereinstimmung mit geltenden Vorschriften nach Angaben des Herstellers auszuführen.
2. Die Lüftungsöffnungen im Gerätegehäuse oder im Innern des Gerätes nicht blockieren.

## 1. AUSPACKEN

### WARNUNG

Kindern sollten keinen Zugang zum Verpackungsmaterial (Kunststoffbeutel und Polystyrol) haben, da dieses eine mögliche Gefahrenquelle darstellt.

### VORSICHT

Versandkarton, Bänder und anderes Verpackungsmaterial entfernen. Wenn Verpackungsmaterial in der Maschine gelassen wird, arbeitet diese nicht richtig.

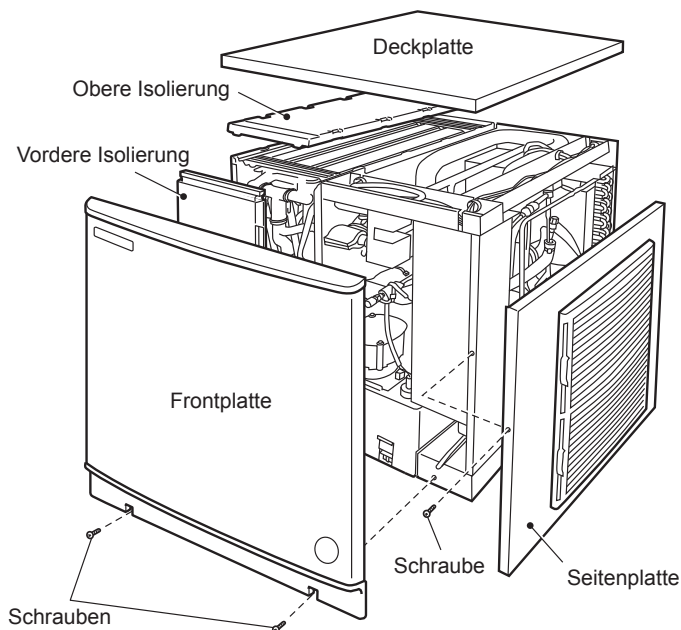


Abb. 1

- 1) Nach Entfernen der Verpackung den Eisbereiter auf Transportschäden kontrollieren. Im Zweifelsfall das Gerät nicht verwenden, sondern qualifiziertes Fachpersonal hinzuziehen.
- 2) Das Transportsicherungsband an den Bauteilen entfernen.
- 3) Die Kunststoff-Folie von der Außenseite entfernen. Wenn der Eisbereiter Sonne oder Wärme ausgesetzt ist, die Folie erst abziehen, nachdem der Eisbereiter abgekühlt ist.

- 4) Das Paket mit dem Zubehör herausnehmen und den Inhalt überprüfen:

a) Netzanschlusskabel	1
b) Montagehalterung	2
c) Schraube	2

## 2. AUFSTELLORT

### WICHTIG

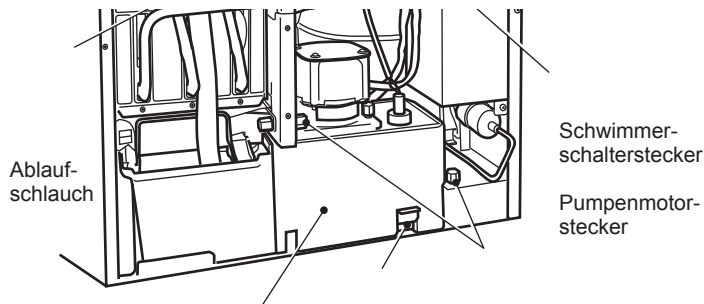
1. Dieser Eisbereiter eignet sich nicht für den Gebrauch im Freien. Für Normalbetrieb muss die Raumtemperatur zwischen 7 °C und 40 °C und die Wassertemperatur zwischen 7 °C und 35 °C liegen. Längerer Gebrauch des Eisbereiters bei Temperaturen außerhalb dieser normalen Temperaturgrenzwerte kann die Produktionsleistung beeinträchtigen.
2. Der Eiswürfelbereiter darf nicht neben Öfen, Grills oder anderen Geräten aufgestellt werden, die Hitze erzeugen.
3. Der Aufstellort für das Gerät muss stabil und eben sein.
4. Darauf achten, dass an der Rückseite, links und oben 15 cm sowie rechts 30 cm freier Raum verbleiben, um eine einwandfreie Luftzirkulation zu ermöglichen und Wartungs- und/oder Reparaturarbeiten zu erleichtern.
5. Dieses Gerät eignet sich nicht für die Aufstellung in Räumen, in denen eventuell ein Wasserstrahl benutzt wird oder in denen ein Abtropfen nicht zulässig ist.
6. Keine Gegenstände auf die Deckplatte oder vor das Luftgitter des Eisbereiters stellen.
7. Dieser Eisbereiter arbeitet nicht bei Temperaturen unter Null. Um Schaden an der Wasserzufuhrleitung zu vermeiden, ist das Wasser aus dem System zu entfernen, sobald die Lufttemperatur unter 0 °C sinkt (siehe hierzu „II. 2. MASSNAHMEN FÜR DIE LANGFRISTIGE LAGERUNG DES EISSPENDERS“).

## 3. INSTALLATION

- \* Eine falsche Installation kann zu Verletzungen von Menschen und Tieren oder zu Sachschäden führen, für die der Hersteller nicht haftet.
- \* Den Eisbereiter am Geräteboden festhalten und auf den Vorratsbehälter/Eisspender setzen.
- \* Platzieren Sie den Eisbereiter an einem ausgesuchten permanenten Aufstellungsort.
- \* Das Gerät muss so aufgestellt werden, dass der Stecker zugänglich ist.

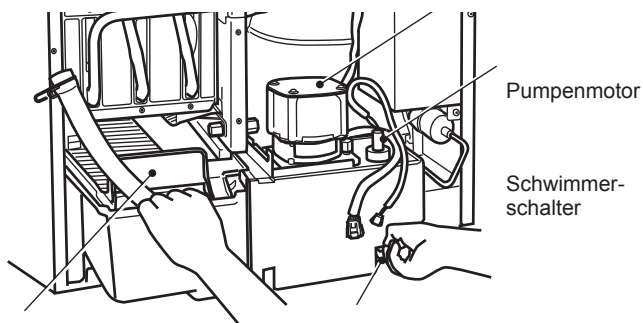
## 4. INSTALLATION DER BEHÄLTERSTEUERUNG

- 1) Die Frontplatte und dann die vordere Isolierung entfernen.
- 2) Die beiden Flügelschrauben lösen, die den Pumpenmotorträger sichern. Siehe Abb. 2.
- 3) Den Ablaufschlauch trennen.
- 4) Pumpenmotorstecker und Schwimmerschalterstecker an der Seite des Steuerkastens trennen.
- 5) Die Schnappflasche rechts vom Pumpenmotorträger nach oben drücken und Wassertank, Würfelführung, Pumpenmotorträger, Pumpenmotor und Schwimmerschalter zusammen herausziehen. Siehe Abb. 3.



Schnapplasche Flügelschrauben  
Pumpenmotorträger

Abb. 2



Würfelführung

Schnapplasche

Abb. 3

6) Das Behältersteuerkabel durch die Öffnung unten im Geräteboden und danach durch die mitgelieferte Kabeltülle verlegen. Siehe Abb. 4.

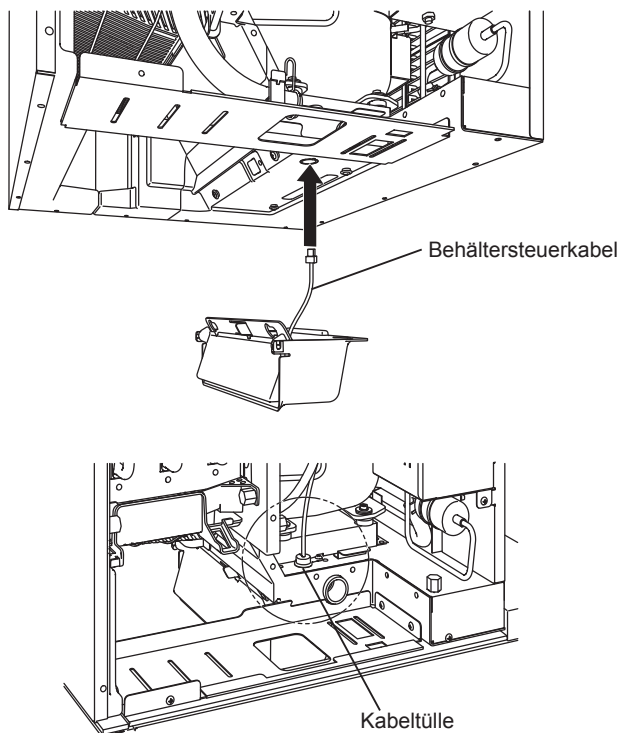


Abb. 4

7) Das Kabel der Behältersteuerung nach oben ziehen und die Behältersteuerung rechts an der Innenwand einhaken. Dann die Behältersteuerung nach oben gegen den Boden des Gerätes drücken und nach hinten schieben, bis sie hörbar einrastet. Darauf achten, dass die Schlitze rechts an der Behältersteuerung richtig auf den Hülsen unten am Gerät sitzen. Siehe Abb. 5.

### VORSICHT

Sicherstellen, dass die Behältersteuerung fest sitzt. Andernfalls kann Eis zwischen die Spalten geraten und die Behältersteuerung beschädigen.

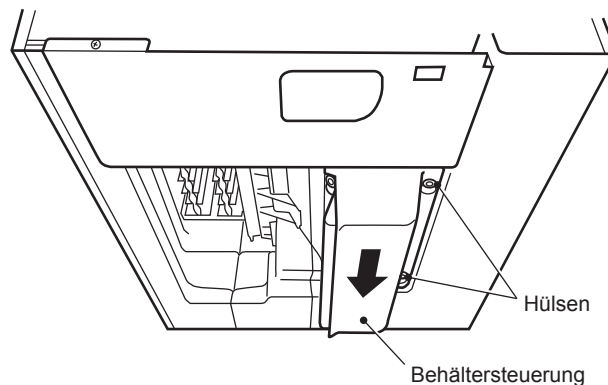


Abb. 5

8) Das Behältersteuerkabel straff ziehen und dann die Tülle am Behältersteuerkabel zurück in die Öffnung unten im Geräteboden drücken.

9) Den Stecker der Behältersteuerung an der Seite des Steuerkastens anschließen.

10) Wassertank, Würfelführung, Pumpenmotorträger, Pumpenmotor und Schwimmerschalter an den richtigen Positionen wieder einsetzen, bis sie hörbar einrasten.

### VORSICHT

Darauf achten, dass der Ablaufschlauch hinter dem Kupferrohr verläuft, den Schlauch anschließen und sichern. Siehe Abb. 2. Andernfalls kann sich der Ablaufschlauch in der Frontisolierung verfangen und schlechte Ergebnisse verursachen.

11) Den Pumpenmotorträger mit den beiden Flügelschrauben sichern.

12) Pumpenmotorstecker und Schwimmerschalterstecker wieder anschließen.

13) Frontplatte und Deckplatte wieder anbringen.

## 5. ELEKTRISCHE ANSCHLÜSSE

### WARNUNG

#### DIESES GERÄT MUSS GEERDET WERDEN

Dieser Eisbereiter erfordert einen Schutzkontakt, der nationalen und lokalen Bestimmungen entspricht. Um schwere Körperverletzungen und Beschädigungen des Gerätes infolge eines elektrischen Schlages zu vermeiden, ist ein ordnungsgemäßer Erdleiter am Eisbereiter anzubringen. Vor sämtlichen Wartungs-, Reparatur- oder Reinigungsarbeiten immer den Netzstecker ziehen.

\* Dieses Gerät benötigt eine separate Stromversorgung mit 220-240 V~, 10 A. Die Stromversorgung muss mit einem geeigneten Leistungsschutzschalter gesichert werden.

\* Die Hauptsicherung im Schaltkasten ist für einen Strom von 5 A (250 V) ausgelegt und darf nur von einer autorisierten Fachkraft ausgewechselt werden.

\* In der Regel wird hierzu ein Elektriker mit entsprechender Qualifikation und Zulassung benötigt.

\* Ist das Netzkabel beschädigt, muss es durch ein vom Hoshizaki-Ersatzteil-/Kundendienst erhältliches Ersatzkabel ersetzt werden.

## Nur für das Vereinigte Königreich und die Republik Irland

\* Die Drähte im Netzkabel sind nach dem folgenden Farbcode gekennzeichnet:

Grün & Gelb = Erde  
Blau = Nullleiter  
Braun = spannungsführender Leiter

Die Farben der Adern im Netzkabel dieses Geräts stimmen möglicherweise nicht mit den Farbmarkierungen in Ihrem Stecker überein, daher bitte immer wie folgt vorgehen:

Der grün-gelbe Leiter ist an die Klemme anzuschließen, die mit dem Buchstaben E oder dem Symbol  $\perp$  bzw. grün oder gelb-grün markiert ist. Die blaue Ader ist an die Klemme anzuschließen, die mit dem Buchstaben N oder schwarz markiert ist. Die braune Ader ist an die Klemme anzuschließen, die mit dem Buchstaben L oder rot markiert ist.

\* Falls der mit dem Gerät gelieferte Stecker für die Netzsteckdose am Installationsort ungeeignet ist, muss er entfernt (bzw. wenn er verkapselt ist, abgeschnitten) und durch einen passenden Stecker ersetzt werden.

Ein abgeschnittener, verkapselter (nicht zugänglicher Stecker) muss entsorgt werden. Versuchen Sie nicht, ihn wiederzuverwenden. Durch die Verwendung eines solchen Steckers in einer anderen Steckdose besteht die Gefahr eines elektrischen Schlags.

\* Der verkapselte Stecker ist nie ohne angebrachte Sicherungsabdeckung zu verwenden.

Der richtige Ersatz für die abnehmbare Sicherungsabdeckung lässt sich anhand der Hersteller-Referenznummer ermitteln, die auf den Stecker gestanzt ist.

Ersatzabdeckungen für Sicherungen sind von Hoshizaki-Ersatzteil-/Service-Zentren erhältlich.

Sicherungen sollten mit 10 A ausgelegt sein und die Norm BS 1362 erfüllen.

## 6. WASSERZULAUF- UND WASSERABLAUFANSCHLÜSSE

### WARNUNG

Dieser Eisbereiter darf nur mit Trinkwasser gefüllt werden.

\* Die Anschlüsse an die Hauptwasserversorgung müssen entsprechend den Anforderungen der aktuellen Wasserversorgungs- oder Wasseranschlussbestimmungen ausgeführt werden.

\* Um eine Leistungsverringerung oder einen Geräteausfall durch Verkalkung zu vermeiden, sollte die Wasserhärte nicht mehr als 50 mg/l und der Siliziumanteil nicht mehr als 30 mg/l betragen. Sind diese Werte höher, ist die Installation eines Wasseraufbereitungsgeräts erforderlich.

\* Der Druck in der Wasserzufuhrleitung muss mindestens 0,07 MPa (0,7 bar) und darf höchstens 0,8 MPa (8 bar) betragen. Bei einem höheren Druck als 0,8 MPa (8 bar) ist ein Druckreduzierventil zu verwenden. Der Wasserzulauf am Hahn selbst darf NICHT gedrosselt werden.

\* In bestimmten Gebieten sind eine Installationsgenehmigung und der Anschluss durch einen zugelassenen Installateur erforderlich.

\* Das Wasser muss in einen offenen Abflusskanal ablaufen.

\* Der Abfluss des Wassers aus dem Eisbereiter erfolgt durch Schwerkraft, daher ist auf ein ausreichendes Gefälle der Ablaufleitung zu achten.

\* Für den einwandfreien Ablauf ist ein belüftetes T-Stück erforderlich. Siehe Abb. 6.

\* Die Eisbereiter-Ablaufleitung muss separat von der Ablaufleitung des Eisvorratsbehälters/Eispenders geführt werden. Siehe Abb. 6.

\* In der Wasserleitung darf kein Rückfluss entstehen.

\* Der Wasserzufuhranschluss sollte mit einem Rohr und nicht mit einem Schlauchsatz durchgeführt werden.

Hinweis: Dichtmittel müssen für den Gebrauch mit Trinkwasser zugelassen und geeignet sein.

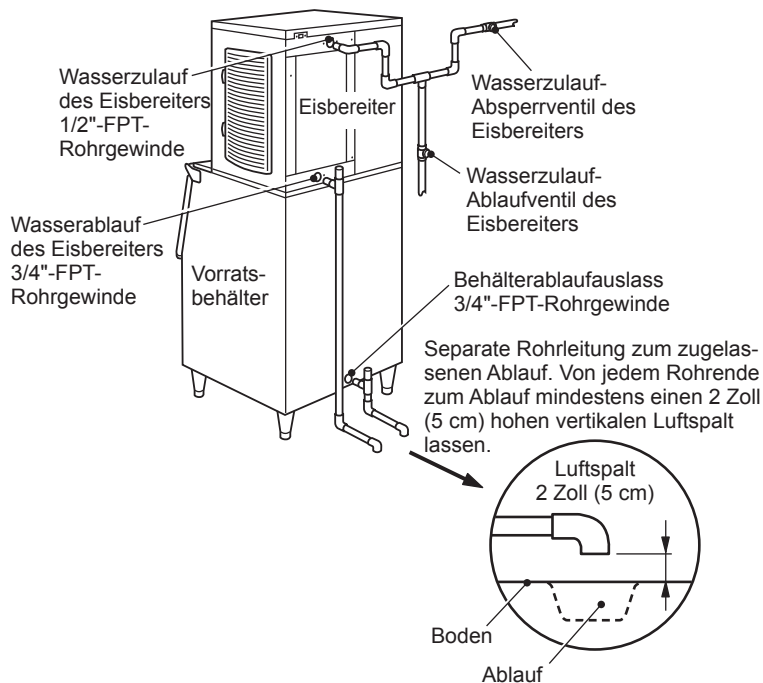


Abb. 6

## II. BEDIENUNGSANLEITUNG

### WARNUNG

- Dieser Eisbereiter ist für die Herstellung von Trinkwassereis konzipiert. Aus Gründen der Hygiene:
  - \* Bitte immer die Hände waschen, bevor Eis entnommen wird. Zum Entnehmen von Eis immer die Kunststoffschaufel (Zubehör) verwenden.
  - \* Der Vorratsbehälter ist ausschließlich für Eis zu verwenden. Nichts anderes im Vorratsbehälter aufbewahren.
  - \* Vorratsbehälter vor der Verwendung reinigen (siehe „III. 1. REINIGUNG“).
  - \* Die Eisschaufel sauberhalten. Stets ein neutrales Reinigungsmittel verwenden und gründlich abspülen.
  - \* Nach der Entnahme von Eis immer die Tür schließen, um das Eindringen von Schmutz, Staub oder Ungeziefer in den Vorratsbehälter zu verhindern.
- Wie bei allen Elektrogeräten sind stets einige grundsätzliche Vorsichtsmaßnahmen zu beachten. Insbesondere:
  - \* Bei hoher Feuchtigkeit oder Nässe besteht Kurzschlussgefahr, wodurch ein elektrischer Schlag verursacht werden kann. Im Zweifelsfall ist der Netzstecker des Eisbereiters zu ziehen.
  - \* Den Netzstecker nie am Kabel herausziehen.
  - \* Dieses Gerät darf nicht von Personen (einschl. Kindern) benutzt werden, deren physische, sensorische oder mentale Fähigkeiten eingeschränkt sind, die über keine Erfahrung und kein Wissen verfügen, es sei denn, sie werden von einer für ihre Sicherheit verantwortlichen Person bei der Benutzung des Gerätes beaufsichtigt oder angeleitet.
  - \* Jüngere Kinder sollten beaufsichtigt werden, um sicherzustellen, dass sie mit dem Gerät nicht spielen.
- Alle Komponenten wurden werksseitig eingestellt. Unsachgemäße Einstellarbeiten können die ordnungsgemäße Funktion des Eispenders beeinträchtigen.

- Um eine Beschädigung des Verdichters zu vermeiden, nach Ausschalten des Eisbereiters mindestens 3 Minuten lang warten, bevor das Gerät wieder eingeschaltet wird.

## 1. BETRIEB

Der Installateur nimmt den Eisbereiter normalerweise in Betrieb, so dass die automatische Eisherstellung beginnt. Für Dauerbetrieb ist darauf zu achten:

- \* Der Wasserhahn der Wasserzufuhrleitung ist geöffnet.
- \* Der Eisbereiter ist mit der Stromversorgung verbunden.
- \* Der Steuerschalter befindet sich in Stellung „ICE“.

## 2. MASSNAHMEN FÜR DIE LANGFRISTIGE LAGERUNG DES EISSPENDERS

- Den Steuerschalter auf „OFF“ stellen.
- Netzstecker des Eisbereiters ausstecken oder die Stromversorgung trennen.
- Das Wasserzulauf-Absperrventil schließen.
- Alles Eis aus dem Vorratsbehälter/Spender entfernen und den Behälter/Spender reinigen.
- Den Eisbereiter von professionellem, qualifiziertem Personal entleeren lassen.

## III. WARTUNG

### 1. REINIGUNG

#### WARNUNG

- Vor Durchführung von Reinigungs- oder Wartungsarbeiten immer den Netzstecker des Eisbereiters ziehen.
- Den Eisbereiter mindestens zweimal im Jahr von qualifiziertem Fachpersonal reinigen und desinfizieren lassen; den Verflüssiger mindestens einmal im Jahr prüfen und reinigen lassen.
- Dieses Gerät darf nicht mit einem Wasserstrahl gereinigt werden.
- Keinesfalls Alkohol zur Reinigung/Desinfektion des Eisbereiters verwenden. Dies könnte zu Rissbildung auf den Kunststoffteilen führen.
- Um Beschädigungen zu vermeiden, Kunststoffteile nicht mit über 40 °C heißem Wasser oder in einem Geschirrspüler reinigen.

#### [1] Maschine und Außenseite des Vorratsbehälters

Alle Außenflächen mindestens einmal in der Woche mit einem sauberen, weichen Tuch abwischen. Fett- und Schmutzspuren mit einem feuchten Tuch und neutralem Reinigungsmittel entfernen.

#### [2] Eisschaufel

- In einem geeigneten Behälter entweder 3 l Wasser mit 11 ml einer 5,25%igen Natriumhypochloritlösung mischen oder den empfohlenen Hoshizaki-Desinfizierer wie beschrieben verwenden.
- Die Eisschaufel länger als 3 Minuten in der Lösung baden. Gründlich spülen und zum Entfernen der Restflüssigkeit gut schütteln.

Hinweis: Abtrocknen mit einem Tuch kann zu erneuter Verschmutzung führen.

#### [3] Reinigung/Desinfektion der Innenflächen des Vorratsbehälters (wöchentlich)

- Vorratsbehältertür öffnen und sämtliches Eis entfernen.

Hinweis: Hoshizaki empfiehlt für den Eisbereiter verschiedene Vorratsbehältertypen in unterschiedlichen Größen und mehreren Ausführungen. Die folgenden Anweisungen dienen daher nur als allgemeine Richtlinie.

- Die Auskleidung des Vorratsbehälters und Türinnenwand mit einem neutralen, nicht scheuernden Reinigungsmittel abwaschen. Mit einem sauberen Tuch und frischem Wasser gründlich abspülen.
- In einem geeigneten Behälter entweder 5 l Wasser mit 18 ml einer 5,25%igen Natriumhypochloritlösung mischen oder den empfohlenen Hoshizaki-Desinfizierer wie beschrieben verwenden.
- Einen sauberen Schwamm oder ein Tuch mit der Lösung tränken und die Auskleidung und Türinnenwand des Vorratsbehälters abwaschen.
- Gründlich mit frischem Wasser abspülen und mit einem sauberen Tuch die Lösung entfernen. Die Vorratsbehältertür schließen.

Hinweis: Einige Lösungen können die Oberfläche der Behälterauskleidung beschädigen oder zu Korrosion der Metallteile führen. Spülen Sie den Desinfizierer daher immer ab, es sei denn, Hoshizaki gibt ausdrücklich andere Anweisungen.

#### [4] Luftfilter

Siebfilter aus Kunststoff entfernen Schmutz oder Staub aus der Luft und verhindern das Verstopfen des Verflüssigers. Wenn die Filter verstopfen, nimmt die Leistung des Eisbereiters ab. Die Luftfilter mindestens zweimal monatlich herausnehmen und reinigen:

- Luftfilter entfernen.

Hinweis: Keinesfalls mit der Hand in das Maschinenfach fassen.

- Luftfilter mit einem Staubsauger reinigen. Falls er sehr verstopft ist, Luftfilter mit warmem Wasser und einem Neutralreiniger auswaschen.
- Den Luftfilter gründlich spülen, trocknen und wieder einsetzen.

#### [5] Wasserkreislauf zur Eisherstellung

Um den Eisbereiter in einem hygienisch einwandfreien Zustand zu halten, wird empfohlen, den Wasserkreislauf zur Eisherstellung regelmäßig zu reinigen. Den Wasserkreislauf immer nur von geschultem Wartungspersonal reinigen lassen.

Hinweis: 1. Der Spülschalter auf dem Steuerkasten darf nur von Wartungspersonal verwendet werden.

- Während der normalen Eisbereitung den Spülschalter in der Position „ICE“ lassen.

## 2. BEVOR SIE DEN KUNDENDIENST ANRUFEN

#### WARNUNG

Den Kältekreislauf nicht beschädigen.

Wenn der Eisbereiter nicht richtig oder überhaupt nicht arbeitet, überprüfen Sie folgendes, bevor Sie den Kundendienst rufen:

- \* Das Gerät ist mit dem Stromnetz verbunden.
- \* Der Steuerschalter befindet sich in Stellung „ICE“.
- \* Das Wasser ist eingeschaltet.
- \* Der Luftfilter ist sauber.

Wenn Sie weitere Hilfe oder Rat benötigen, wenden Sie sich an Ihren Hoshizaki-Kundendienst.

## 3. GEWÄHRLEISTUNG

Hoshizaki garantiert dem Originalbesitzer/-benutzer, dass alle Markenprodukte von Hoshizaki für die Dauer der „Garantiezeit“ frei von Material- und/oder Verarbeitungsfehlern sind. Die Garantie gilt für zwei Jahre ab Datum der Installation.

Die Haftungen von Hoshizaki nach diesen Garantiebedingungen ist begrenzt. Sie schließt Routinewartung und Reinigung sowie Wartungs- und/oder Reparaturarbeiten aus, die durch missbräuchliche Benutzung oder fehlerhafte Installation verursacht worden sind.

Garantiereparaturen sind von einem zugelassenen Hoshizaki-Händler oder -Kundendienst mit Hoshizaki-Originalbauteilen auszuführen.

Für vollständige Informationen zur Gewährleistung und zugelassene Kundendienste wenden Sie sich bitte an Ihren Händler/Lieferanten oder den nächstgelegenen Hoshizaki-Kundendienst:

### Europa, Naher Osten, Afrika

Hoshizaki UK - Großbritannien, Irland  
 TEL: +44 845 456 0585  
 FAX: +44 132 283 8331  
 uksales@hoshizaki.co.uk

Hoshizaki Deutschland - Deutschland, Schweiz, Österreich  
 TEL: +49 2154 92810  
 FAX: +49 2154 928128  
 info@hoshizaki.de

Hoshizaki France - Frankreich  
 TEL: +33 1 48 63 93 80  
 FAX: +33 1 48 63 93 88  
 info@hoshizaki.fr

Hoshizaki Iberia - Spanien, Portugal  
 TEL: +34 93 478 09 52  
 FAX: +34 93 478 08 00  
 info@hoshizaki.es

Hoshizaki Middle East - Naher Osten  
 TEL: +971 48 876 612  
 FAX: +971 48 876 613  
 sales@hoshizaki.ae

Hoshizaki Nederland & België - Niederlande, Belgien, Luxemburg  
 TEL: +31 20 5650420 (Niederlande)  
 TEL: +32 2 712 30 30 (Belgien)  
 FAX: +31 20 6918768  
 sales@hoshizaki.nl (Niederlande)  
 info@hoshizaki.be (Belgien)

Hoshizaki Europe B.V. - alle anderen Länder innerhalb Europa und Afrika  
 TEL: +31 20 6918499  
 FAX: +31 20 6918768  
 sales@hoshizaki.nl

### Asien, Ozeanien

Hoshizaki Singapore  
 TEL: +65 6225 2612  
 FAX: +65 6225 3219

Hoshizaki Taiwan  
 TEL: +886 2 2748 1589  
 FAX: +886 2 2747 1559

Hoshizaki Hong Kong  
 TEL: +852 2866-2108  
 FAX: +852 2866-2109

Hoshizaki Lancer  
 TEL: +61 8 8268 1388  
 FAX: +61 8 8268 1978

## IV. ENTSORGUNG

Die gesetzlichen Bestimmungen zur Entsorgung dieses Gerätes und des enthaltenen Kältemittelgases. Vor dem Verschrotten des Gerätes die Tür abnehmen, um zu vermeiden, dass sich Kinder im Gerät versehentlich einschließen.

Richtige Entsorgung dieses Gerätes:

Dieses Kennzeichen bedeutet, dass dieses Gerät in der EU nicht mit dem normalen Haushaltsmüll entsorgt werden darf. Um Schäden der Umwelt oder der menschlichen Gesundheit durch unkontrollierte Müllbeseitigung zu vermeiden, recyceln Sie das Gerät und fördern Sie damit die nachhaltige Wiederverwertung von stofflichen Ressourcen. Nutzen Sie die Rückgabe- und Sammelsysteme oder wenden Sie sich an den Händler, bei dem Sie das Gerät gekauft haben, um das gebrauchte Gerät zurückzugeben. Dort wird das Gerät der umweltfreundlichen Wiederverwertung zugeführt.



### WICHTIG



Der für das Gehäuse verwendete Isolationsschaum enthält das entflammbare Gas Cyclopentan. Dies sollte berücksichtigt und das Produkt entsprechend entsorgt werden.

**Dieses Produkt enthält ein hermetisch abgeschlossenes Kältesystem mit fluorierten Treibhausgasen nach dem Kyoto-Protokoll:**

KMD-270AA (50Hz)	R404A / GWP 3920 / 0,78kg
KMD-270AA (60Hz)	R404A / GWP 3920 / 0,78kg
KMD-270AWA (50Hz)	R404A / GWP 3920 / 0,55kg
KMD-270AWA (60Hz)	R404A / GWP 3920 / 0,50kg

**Dieses Gerät erfüllt die wesentlichen Sicherheits- und Gesundheitsanforderungen der folgenden Richtlinien:**

Richtlinie zur elektromagnetischen Verträglichkeit (2004/108/EG)  
 Niederspannungsrichtlinie (2006/95/EG)  
 RoHS-Richtlinie (2011/65/EU)  
**VERORDNUNG über Materialien und Gegenstände, die dazu bestimmt sind, mit Lebensmitteln in Berührung zu kommen (EG 1935/2004)**

**Autorisierte Vertretung:**  
**Hoshizaki Europe B.V.**  
**Keienbergweg 50 C/D, 1101 GC Amsterdam, Niederlande**



## BELANGRIJK

1. Dit boekje vormt een integraal en essentieel onderdeel van het product en moet goed worden bewaard door de gebruiker. Lees de richtlijnen en waarschuwingen in dit boekje zorgvuldig door, aangezien deze zijn bedoeld om de installateur/gebruiker te voorzien van essentiële informatie voor een correcte installatie, alsmede voor een veilig gebruik en onderhoud van het product op de lange termijn. Bewaar dit boekje zodat u het later, indien nodig, opnieuw kunt raadplegen.
2. Dit is een ijsmachine voor commerciële doeleinden en dit apparaat dient uitsluitend te worden gebruikt voor de toepassingen waarvoor het is ontworpen. Enige andere vorm van gebruik wordt als ongeschikt en dus gevaarlijk beschouwd. De fabrikant kan niet aansprakelijk of verantwoordelijk worden gesteld voor enige schade die ontstaat door ongeschikt, incorrect en onredelijk gebruik.

## I. INSTALLATIE-INSTRUCTIES

### WAARSCHUWING

1. De installatie van de ijsdispenser mag uitsluitend door gekwalificeerd personeel en overeenkomstig de plaatselijk geldende voorschriften worden uitgevoerd, waarbij de instructies van de fabrikant dienen te worden gevolgd.
2. Houd ventilatieopeningen, zowel in de behuizing van de machine als in de inbouwstructuur, vrij van obstakels.

## 1. UITPAKKEN

### WAARSCHUWING

Kinderen moeten buiten het bereik van het verpakkingsmateriaal (plastic zakken en geëxpandeerd polystyreen) worden gehouden aangezien dit mogelijke bronnen van gevaar zijn.

### VOORZICHTIG

Verwijder kartonnen doos, tape en ander verpakkingsmateriaal. Als er verpakkingsmateriaal achterblijft in de ijsmachine, werkt deze niet goed.

3) Verwijder de beschermfolie van de buitenkant. Als de ijsmachine is blootgesteld aan de zon of aan hitte, verwijder u de folie nadat de ijsmachine is afgekoeld.

4) Verwijder het pakket met toebehoren en controleer de inhoud:

- |                       |   |
|-----------------------|---|
| a) Voedingskabel      | 1 |
| b) Bevestigingsbeugel | 2 |
| c) Bout               | 2 |

## 2. PLAATSING

### BELANGRIJK

1. Deze ijsmachine is niet bestemd voor gebruik buitenshuis. De omgevingstemperatuur moet tussen 7 °C en 40 °C liggen en de watertemperatuur tussen 7 °C en 35 °C. Langdurig gebruik van de ijsmachine buiten de genoemde temperatuurwaarden kan de productiecapaciteit nadelig beïnvloeden.
2. De ijsmachine mag niet naast een oven, grill of andere apparatuur die veel warmte afgeeft worden geplaatst.
3. De machine moet waterpas op een stevige ondergrond worden geplaatst.
4. Houd aan achterkant, zijkanten en bovenkant een vrije ruimte van 15 cm en aan de rechterkant een vrije ruimte van 30 cm. Dit waarborgt een optimale luchtcirculatie en vergemakkelijkt onderhouds- en/of reparatiewerkzaamheden.
5. De machine mag niet worden geplaatst in een ruimte die met een waterstraal wordt schoongespoten of in ruimten waar veel condensvocht is.
6. Plaats geen andere apparaten of voorwerpen bovenop de ijsmachine of voor de ventilatieopening.
7. Deze ijsmachine werkt niet bij temperaturen onder het vriespunt. Voorkom schade aan de watertoevoerleiding door het water uit het systeem af te tappen zodra de luchttemperatuur onder 0 °C daalt (zie "II. 2. DE IJSMAKER GEREEDMAKEN VOOR LANGDURIGE OPSLAG").

## 3. INSTALLATIE

\* Onjuiste installatie van de ijsmachine kan schade toebrengen aan mens, dier en omgeving. De fabrikant aanvaardt geen aansprakelijkheid voor schade en/of letsel ten gevolge van het onjuist installeren van de machine.

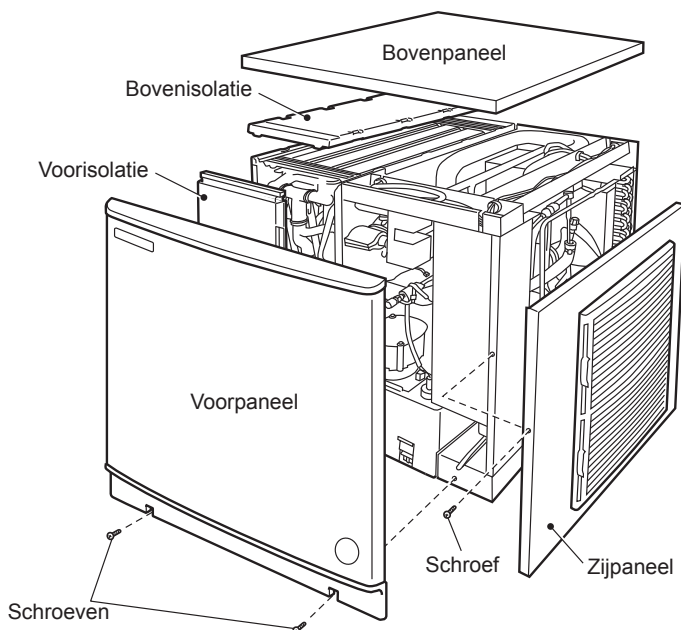
\* Plaats de ijsmachine boven op de bunker/ijsdispenser. Houd de ijsmachine hierbij aan de onderkant vast.

\* Plaats de ijsmachine op een permanente locatie.

\* Het apparaat moet zodanig worden opgesteld dat de stekker bereikbaar is.

## 4. INSTALLATIE BUNKERSCHAKELAAR

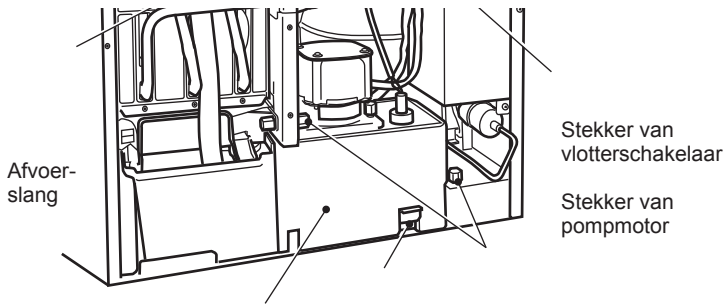
- 1) Verwijder het voorpaneel en vervolgens de voorisolatie.
- 2) Draai de twee duimschroeven los waarmee de bevestigingsbeugel van de pompmotor is bevestigd. Zie afb. 2.
- 3) Koppel de afvoerslang los.
- 4) Koppel de stekker van de pompmotor en de stekker van de vlotterschakelaar los van de zijkant van de besturingskast.
- 5) Trek, terwijl u de kliklip aan de rechterkant van de bevestigingsbeugel van de pompmotor omhoog duwt, het waterreservoir, de ijsblokjesgeleider, de bevestigingsbeugel van de pompmotor, de pompmotor en de vlotterschakelaar samen naar buiten. Zie afb. 3.



Afb. 1

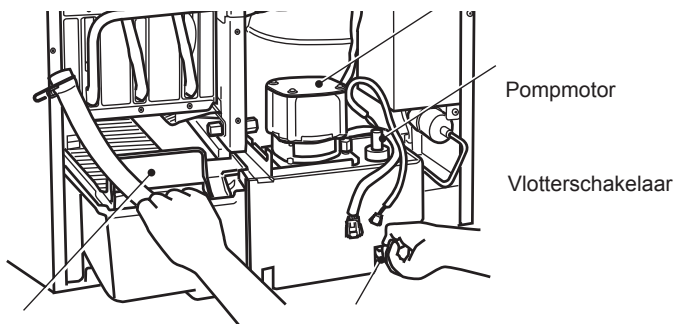
1) Verwijder alle verpakking en controleer of de ijsmachine in goede staat verkeert. Gebruik het apparaat niet in geval van twijfel, maar raadpleeg bevoegd servicepersoneel.

2) Verwijder de transporttape waarmee de onderdelen zijn bevestigd.



Kliklip  
Bevestigingsbeugel van pompmotor  
Duimschroeven

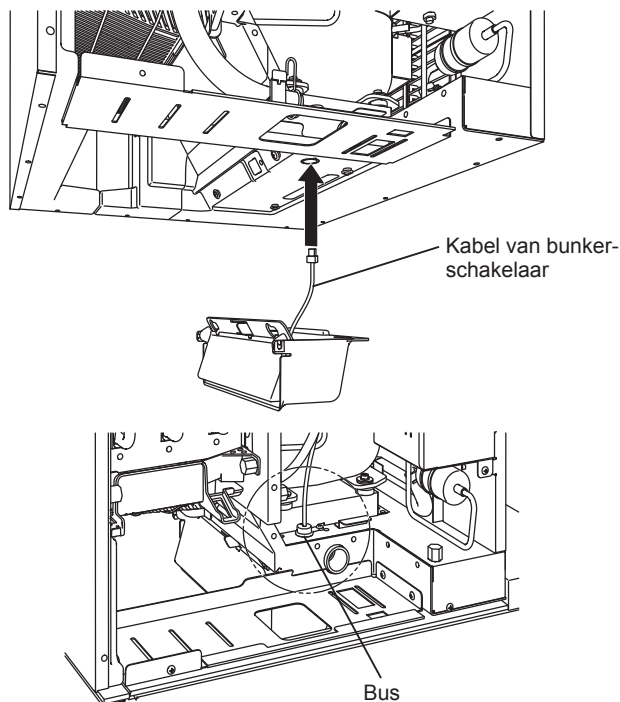
**Afb. 2**



Ijsblokjesgeleider  
Kliklip

**Afb. 3**

6) Leid de kabel van de bunkerschakelaar door de opening in de basis en vervolgens in de meegeleverde bus. Zie afb. 4.



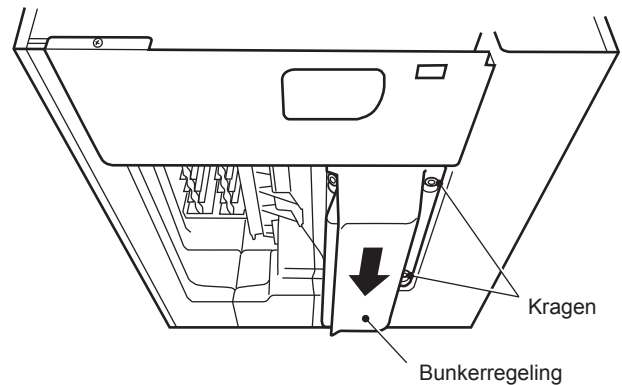
**Afb. 4**

7) Haak, terwijl u de kabel van de bunkerschakelaar omhoog trekt, de bunkerschakelaar aan de rechter binnenwand vast. Duw de bunkerschakelaar vervolgens tegen de onderkant van de ijsmachine en schuif de bunkerschakelaar naar achteren tot deze vastklikt. Zorg ervoor dat de gegroefde opening aan de

rechterkant van de bunkerschakelaar precies boven de kragen aan de onderkant van de eenheid zijn geplaatst. Zie afb. 5.

### VOORZICHTIG

Zorg ervoor dat u de bunkerschakelaar goed bevestigt. Doet u dit niet, dan kan er ijs in de openingen komen waardoor de bunkerschakelaar beschadigd kan raken.



**Afb. 5**

- 8) Trek de kabel van de bunkerschakelaar strak en plaats de bus die aan de kabel van de bunkerschakelaar is bevestigd terug in de opening in de basis.
- 9) Sluit de stekker van de bunkerschakelaar aan op de zijkant van de besturingskast.
- 10) Plaats het waterreservoir, de ijsblokjesgeleider, de bevestigingsbeugel van de pompmotor, de pompmotor en de vlotterchakelaar terug in de juiste positie totdat zij op hun plaats vastklikken.

### VOORZICHTIG

Zorg dat de afvoerslang achter de koperen buis langs loopt en sluit de slang stevig aan. Zie afb. 2. Anders kan de afvoerslang klem komen te zitten in de voorisolatie, waardoor de slang niet naar behoren functioneert.

- 11) Zet de bevestigingsbeugel van pompmotor vast met de twee duimschroeven.
- 12) Sluit de stekker van de pompmotor en de stekker van de vlotterchakelaar opnieuw aan.
- 13) Plaats de voorisolatie en het voorpaneel weer terug in de juiste positie.

## 5. ELEKTRISCHE AANSLUITINGEN

### WAARSCHUWING

#### DEZE MACHINE MOET WORDEN GEAARD

Deze ijsmachine moet worden geaard volgens de geldende voorschriften. Ter voorkoming van ernstig persoonlijk letsel en materiële schade als gevolg van elektrische schokken, dient deze ijsmachine te worden voorzien van een correct aangebrachte aardleiding. Verwijder de stekker uit het stopcontact voordat u onderhoud, reparaties of reinigingswerkzaamheden gaat uitvoeren.

\* Deze machine vereist een aparte voeding van 220 - 240 V wisselstroom, 10 A. Het stopcontact moet worden beschermd door een geschikte stroomonderbreker.

\* De hoofdzekering van de besturingskast heeft een nominale waarde van 5 A, 250 V en mag alleen worden vervangen door een erkende onderhoudsmonteur.

\* Normaalgesproken dient men te beschikken over de juiste vergunningen en/of de hulp in te roepen van een erkend elektricien.

\* Als de voedingskabel beschadigd is, moet deze worden vervangen door een vervangende kabel die verkrijgbaar is bij de onderdelen- en servicecentra van Hoshizaki.

## Alleen voor het Verenigd Koninkrijk en Ierland:

\* De draden van de netvoeding hebben een kleurcode:

Groen/geel = aarde  
Blauw = neutraal  
Bruin = stroomvoerende

Als de gekleurde draden in de voedingskabel van deze machine zijn aangesloten op stekkerpolen met een afwijkende kleur, dient u het volgende te doen:

Sluit de groen/gele draad in de stekker aan op de groen/gele of groene stekkerpool of anders op de stekkerpool die is aangeduid met de letter E of het symbool  $\perp$ . Sluit de blauwe draad aan op de zwarte stekkerpool of op de stekkerpool die is aangeduid met de letter N. Sluit de bruine draad aan op de rode stekkerpool of op de stekkerpool die is aangeduid met de letter L.

\* Als het stopcontact waarop u de ijsmachine wilt aansluiten niet geschikt is voor de stekker die aan de voedingskabel van de ijsmachine zit, dient de stekker te worden verwijderd (een gegoten stekker wordt afgesneden) en vervangen door een geschikte stekker.

De gegoten stekker die van de voedingskabel is afgesneden, moet worden weggegooid. Hij mag niet opnieuw worden gebruikt. Wanneer deze stekker elders in een stopcontact wordt gestoken, zorgt dit voor een groot risico van elektrische schokken.

\* De gegoten stekker mag uitsluitend in combinatie met een zekeringhouder worden gebruikt.

Het referentienummer van de fabrikant is in de stekker ingeslagen. In geval u de zekeringhouder vervangt, dient een vervangend exemplaar van hetzelfde type te worden gebruikt.

Zekeringhouders zijn te verkrijgen via de onderdelen- en servicecentra van Hoshizaki.

Gebruik zekeringen van 10 A die voldoen aan BS 1362.

## 6. AANSLUITING VAN WATERTOEVOER- EN WATERAFVOERLEIDINGEN

### WAARSCHUWING

Voor deze ijsmachine mag alleen drinkwater worden gebruikt.

\* De aansluitingen aan de drinkwaterleiding moeten worden uitgevoerd in overeenstemming met de huidige vereisten van het land in de regelgeving met betrekking tot watertoevoer of -accessoires.

\* Het water in de watertoevoerleiding mag niet harder zijn dan 50 mg/l en moet een silica-inhoud hebben van niet meer dan 30 mg/l om prestatievermindering of storingen als gevolg van afzetting (ketelsteen) te voorkomen. Het kan nodig zijn een waterbehandelingsysteem te installeren.

\* De watertoevoerdruk moet tenminste 0,07 MPa (0,7 bar) bedragen en mag niet hoger dan 0,8 MPa (8 bar) zijn. Als de waterdruk hoger is dan 0,8 MPa (8 bar), moet gebruik worden gemaakt van een reduceerventiel. De watertoevoer kraan mag voor dit doel NIET gedeeltelijk worden dichtgedraaid.

\* In sommige gebieden kan een loodgietersvergunning of het inschakelen van een erkend loodgieter verplicht zijn.

\* Water moet worden afgevoerd in een open waterslot.

\* De waterafvoer van de ijsmachine stroomt onder natuurlijk verval; de afvoerslang moet dus voldoende verval hebben.

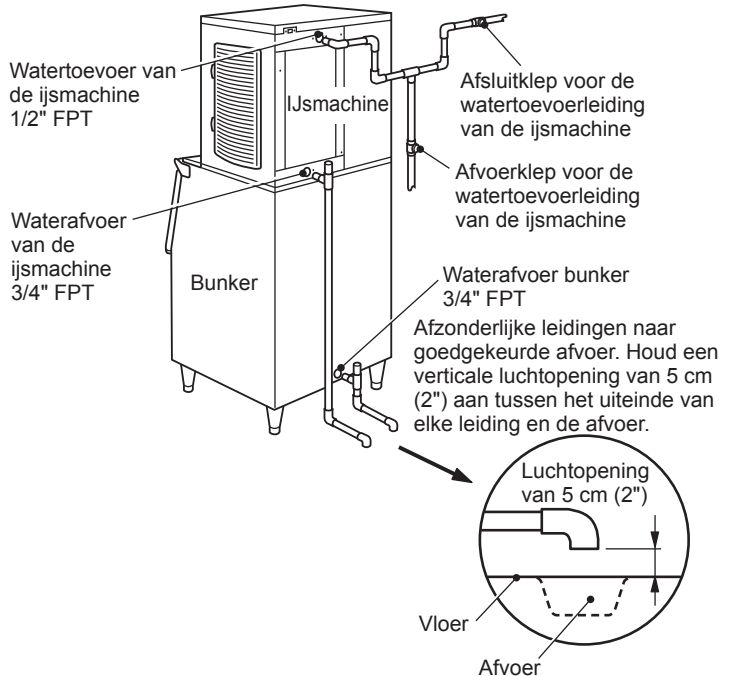
\* Voor een goede waterafvoer is een ontluchte T-verbinding vereist. Zie afb. 6.

\* De afvoerleiding van de ijsmachine en de afvoerleiding van de bunker/ijsmachine moeten afzonderlijk van elkaar functioneren. Zie afb. 6.

\* Er mag geen terugstroming plaatsvinden in het watercircuit.

\* De watertoevoer moet worden aangesloten met een pijp, niet met een slang.

Opmerking: de koppelingselementen moeten zijn goedgekeurd en moeten geschikt zijn voor gebruik met drinkwater.



Afb. 6

## II. BEDIENINGSINSTRUCTIES

### WAARSCHUWING

- Deze ijsmachine is bestemd voor de productie van consumptieijs. Neem de volgende punten in acht om de ijsmachine schoon te houden:
  - \* Was uw handen voordat u ijs uit het apparaat verwijdert. Gebruik de meegeleverde kunststof schep (toebehoren).
  - \* De bunker is uitsluitend bestemd voor de opslag van ijs. Bewaar geen andere zaken in de bunker.
  - \* Maak voor ingebruikname van de ijsmachine eerst de bunker schoon (zie "III. 1. REINIGEN").
  - \* Houd de schep schoon. Gebruik voor het reinigen een neutraal reinigingsmiddel en spoel grondig na.
  - \* Sluit de bunkerdeur onmiddellijk nadat u ijs heeft geschept om te voorkomen dat stof, vuil of insecten in de bunker terechtkomen.
- Bij het gebruik van elektrische apparaten moeten bepaalde regels in acht worden genomen. In het bijzonder:
  - \* Vocht en hoge luchtvochtigheid verhogen de kans op kortsluiting en elektrische schokken. Trek de stekker van de ijsmachine uit het stopcontact als u niet zeker bent van de condities in de ruimte waar de ijsmachine is geplaatst.
  - \* Trek uitsluitend aan de stekker en niet aan de voedingskabel zelf als u de ijsmachine van de netvoeding wilt loskoppelen.
  - \* Dit apparaat is niet bedoeld voor gebruik door personen (inclusief kinderen) met verminderde fysieke, zintuiglijke of geestelijke capaciteiten, of een gebrek aan ervaring en kennis, tenzij dit gebeurt onder toezicht of na het verkrijgen van instructies met betrekking tot het gebruik van een persoon die verantwoordelijk is voor hun veiligheid.
  - \* Jonge kinderen moeten worden begeleid om er zeker van te zijn dat zij niet met het apparaat gaan spelen.
- Alle onderdelen zijn in de fabriek afgesteld. Onjuiste aanpassingen kunnen leiden tot storingen.

4. Om schade aan de compressor te voorkomen, dient u minstens 3 minuten te wachten met het opnieuw inschakelen van de ijsmachine nadat deze is uitgeschakeld.

## 1. BEDIENING

Gewoonlijk wordt de ijsmachine door de installateur in gebruik genomen, waarbij de automatische ijsproductie wordt gestart. Controleer het volgende om een continue werking te waarborgen:

- \* De watertoevoerkraan moet openstaan
- \* De ijsmachine moet zijn aangesloten op de voeding, en
- \* De aan/uit-schakelaar moet in de stand "ICE" staan.

## 2. DE IJSMAKER GEREEDMAKEN VOOR LANGDURIGE OPSLAG

- 1) Zet de bedieningsschakelaar in de stand "OFF".
- 2) Haal de stekker van de ijsmachine uit het stopcontact of sluit de stroomtoevoer af.
- 3) Sluit de afsluitlek van de watertoevoerleiding.
- 4) Verwijder al het ijs uit de bunker/ijsmachine en maak deze schoon.
- 5) Vraag een gekwalificeerde medewerker het water af te tappen uit de ijsmachine.

## III. ONDERHOUD

### 1. REINIGEN

#### WAARSCHUWING

1. Haal de stekker van de ijsmachine uit het stopcontact voordat u met schoonmaak- of onderhoudswerkzaamheden begint.
2. Het watersysteem van de ijsmachine moet minstens tweemaal per jaar worden gereinigd en gezuiverd door een professioneel onderhoudsmonteur. Daarnaast moet de condensor minstens eenmaal per jaar worden gecontroleerd en gereinigd.
3. Deze machine mag niet worden gereinigd met behulp van een waterstraal of hogedrukreiniger.
4. Gebruik geen alcohol voor het reinigen/zuiveren van de ijsmachine. Dit kan tot scheurtjes in de kunststof onderdelen leiden.
5. Voorkom mogelijke schade door de kunststof onderdelen niet met water warmer dan 40 °C of in een afwasmachine te reinigen.

#### [1] Machine en buitenkant bunker

Reinig de buitenkant van de ijsmachine minstens eenmaal per week met een schone, zachte doek. Gebruik een vochtige doek met wat neutraal reinigingsmiddel voor het verwijderen van vet en vuil.

#### [2] IJsschep

- 1) Meng 3 liter water met 11 ml 5,25% natriumhypochlorietoplossing in een geschikte houder of gebruik een door Hoshizaki aanbevolen ontsmettingsmiddel.
- 2) Week de schep gedurende meer dan 3 minuten in de oplossing. Spoel de schep zorgvuldig af met water en schud om overtollig water te verwijderen.

Opmerking: door het gebruik van een doek kan de schep opnieuw vuil worden.

#### [3] Binnenzijde bunker (wekelijks)

- 1) Open de bunkerklep en verwijder al het ijs uit de bunker.

Opmerking: Hoshizaki raadt verscheidene soorten bunkers voor de ijsmachine aan. Deze variëren in grootte en ontwerp. De volgende instructies dienen daarom te worden beschouwd als globale richtlijnen.

- 2) Reinig de binnenzijde van de bunker en het binnenoppervlak van de klep met een neutraal, niet-schurend reinigingsmiddel. Spoel grondig af met een schone doek en schoon water.
- 3) Meng 5 liter water met 18 ml 5,25% natriumhypochloriet of gebruik een door Hoshizaki aanbevolen ontsmettingsmiddel.
- 4) Dompel een schone spons of doek in de oplossing en veeg de kuip van de bunker en het binnenoppervlak van de klep schoon.
- 5) Spoel grondig af met schoon water en een schone doek om het middel te verwijderen. Sluit de bunkerklep.

Opmerking: het oppervlak van de bunker en de metalen onderdelen kunnen door bepaalde oplossingen worden aangetast. Spoel na gebruik van het ontsmettingsmiddel altijd met ruim water na, tenzij anders vermeld in de instructies van Hoshizaki.

#### [4] Luchtfilter

Kunststof luchtfilters halen vuil en stof uit de lucht en voorkomen dat de condensor verstopt raakt. Als de filters verstopt raken, gaat de ijsmachine minder goed werken. De luchtfilters moeten minstens tweemaal per maand worden verwijderd en gereinigd:

- 1) Verwijder het luchtfilter.

Opmerking: steek uw handen nooit in het inwendige van de machine.

- 2) Reinig het luchtfilter met behulp van een stofzuiger. Gebruik bij ernstige vervuiling warm water en een neutraal schoonmaakmiddel om het luchtfilter schoon te maken.
- 3) Spoel het luchtfilter goed schoon, droog het grondig af en breng het vervolgens weer in de juiste positie aan.

#### [5] Watersysteem voor het maken van ijs

Het wordt geadviseerd regelmatig het watersysteem voor het maken van ijs te reinigen zodat de ijsmachine schoon blijft. Vraag altijd een bevoegde servicetechnicus om het watersysteem schoon te maken.

Opmerking: 1. De wasschakelaar op de besturingskast mag alleen door servicepersoneel worden gebruikt.

2. Laat de wasschakelaar als de ijsmachine normaal functioneert in de stand "ICE" staan.

## 2. VOORDAT U BELT VOOR SERVICE

#### WAARSCHUWING

Beschadig het koelmiddelcircuit niet.

Als de ijsmachine niet goed of helemaal niet werkt, controleert u het volgende voordat u een servicemedewerker inschakelt:

- \* De machine heeft stroom.
- \* De aan/uit-schakelaar moet in de stand "ICE" staan.
- \* De watertoevoer is ingeschakeld.
- \* Het luchtfilter is schoon.

Neem voor nadere assistentie of advies contact op met uw plaatselijke Hoshizaki-serviceagent.

## 3. GARANTIE

Hoshizaki garandeert de oorspronkelijke eigenaar/gebruiker dat alle producten van het merk Hoshizaki vrij zijn van materiaal- en/of productiefouten voor de duur van de "garantieperiode". De garantie is twee jaar geldig gerekend vanaf de installatiedatum.

De aansprakelijkheid van Hoshizaki in het kader van de garantie is beperkt en omvat geen routineonderhoud, reiniging, essentieel onderhoud en/of reparaties ten gevolge van onjuist gebruik en installaties die niet volgens de richtlijnen van Hoshizaki zijn uitgevoerd.

Reparaties in het kader van de garantie moeten worden uitgevoerd door een goedgekeurde Hoshizaki-dealer of serviceorganisatie met behulp van authentieke Hoshizaki-onderdelen.

Voor volledige informatie over uw garantie en over goedgekeurde servicebedrijven, raadpleegt u uw dealer/leverancier of de dichtstbijzijnde vestiging van Hoshizaki.

## Europa, Midden-Oosten, Afrika

Hoshizaki UK - Verenigd Koninkrijk, Ierland  
TEL: +44 845 456 0585  
FAX: +44 132 283 8331  
uksales@hoshizaki.co.uk

Hoshizaki Deutschland - Duitsland, Zwitserland, Oostenrijk  
TEL: +49 2154 92810  
FAX: +49 2154 928128  
info@hoshizaki.de

Hoshizaki France - Frankrijk  
TEL: +33 1 48 63 93 80  
FAX: +33 1 48 63 93 88  
info@hoshizaki.fr

Hoshizaki Iberia - Spanje, Portugal  
TEL: +34 93 478 09 52  
FAX: +34 93 478 08 00  
info@hoshizaki.es

Hoshizaki Middle East - Midden-Oosten  
TEL: +971 48 876 612  
FAX: +971 48 876 613  
sales@hoshizaki.ae

Hoshizaki Nederland & België - Nederland, België, Luxemburg  
TEL: +31 20 5650420 (Nederland)  
TEL: +32 2 712 30 30 (België)  
FAX: +31 20 6918768  
sales@hoshizaki.nl (Nederland)  
info@hoshizaki.be (België)

Hoshizaki Europe B.V. - alle andere Europese landen en Afrika  
TEL: +31 20 6918499  
FAX: +31 20 6918768  
sales@hoshizaki.nl

## Azië, Oceanië

Hoshizaki Singapore  
TEL: +65 6225 2612  
FAX: +65 6225 3219

Hoshizaki Taiwan  
TEL: +886 2 2748 1589  
FAX: +886 2 2747 1559

Hoshizaki Hong Kong  
TEL: +852 2866-2108  
FAX: +852 2866-2109

Hoshizaki Lancer  
TEL: +61 8 8268 1388  
FAX: +61 8 8268 1978

## IV. VERWIJDERING

Houd u aan de lokale voorschriften met betrekking tot de verwijdering van het apparaat en zijn koelmiddelgas. Verwijder voordat u het apparaat afvoert de klep, om te voorkomen dat kinderen beklemd kunnen raken.

Juiste verwijdering van dit product:

Deze markering geeft aan dat dit product binnen de EU niet samen met ander huishoudelijk afval mag worden afgevoerd. Teneinde mogelijke milieuschade of schade aan de menselijke gezondheid ten gevolge van ongecontroleerde afvoer van afvalstoffen te vermijden, dient u het apparaat op verantwoorde wijze te recyclen om het duurzame hergebruik van materialen mogelijk te maken. U kunt uw gebruikte apparaat terugsturen via de bestaande systemen voor retournering en inzameling, of u kunt contact opnemen met de detailhandelaar waar het product is aangeschaft. Zij kunnen dit product innemen voor milieuveilige recycling.



### BELANGRIJK



Het isolatieschuimmiddel dat wordt gebruikt voor de behuizing van het apparaat bevat het ontvlambare gas cyclopentaan. Houd dit in het achterhoofd bij de correcte verwijdering van het product.

**Dit product bevat een hermetisch afgesloten koelsysteem dat gefluorineerde broeikasgassen bevatten waarop het Kyoto-protocol van toepassing is:**

KMD-270AA (50Hz)	R404A / GWP 3920 / 0,78kg
KMD-270AA (60Hz)	R404A / GWP 3920 / 0,78kg
KMD-270AWA (50Hz)	R404A / GWP 3920 / 0,55kg
KMD-270AWA (60Hz)	R404A / GWP 3920 / 0,50kg

**Dit product voldoet aan de essentiële gezondheids- en veiligheidsvereisten die worden gespecificeerd in de volgende voorschriften:**

**EMC-richtlijn (2004/108/EG)**  
**Laagspanningsrichtlijn (2006/95/EG)**  
**RoHS-richtlijn (2011/65/EU)**  
**Verordening inzake materialen en voorwerpen bestemd om met levensmiddelen in contact te komen (EG 1935/2004)**

**Geautoriseerde vertegenwoordiger:**  
**Hoshizaki Europe B.V.**  
**Keienbergweg 50 C/D, 1101 GC Amsterdam, Nederland**

## IMPORTANTE

1. Este folleto es una parte integral y esencial del producto y el usuario debe guardarlo en buenas condiciones. Por favor, lea atentamente las indicaciones y observaciones de este folleto que tratan de ofrecer al instalador/usuario toda la información esencial para la instalación correcta, el uso seguro y el mantenimiento del producto. Por favor, guarde este folleto para cualquier futura consulta que sea necesaria.
2. Esta máquina de hielo comercial solo debe utilizarse para los fines para los que ha sido expresamente diseñada. Cualquier otra utilización deberá considerarse inadecuada y, por lo tanto, potencialmente peligrosa. El fabricante no será responsable de ningún daño causado por un uso incorrecto, inadecuado o irracional.

## I. INSTRUCCIONES DE INSTALACIÓN

### ADVERTENCIA

1. La instalación debe ser realizada únicamente por personal cualificado, de acuerdo con la normativa vigente y con las instrucciones del fabricante.
2. Mantenga los orificios de ventilación, de la carcasa de la máquina o de la estructura integrada, libres de cualquier obstrucción.

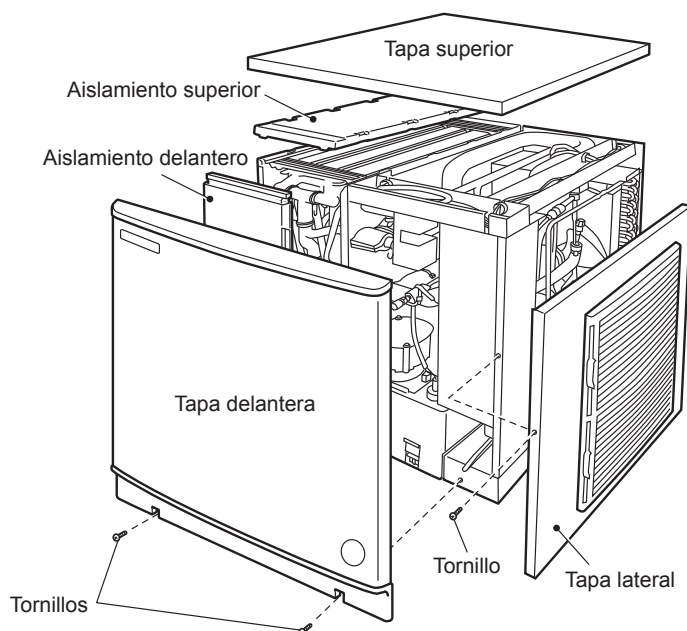
### 1. DESEMBALAJE

#### ADVERTENCIA

No deje al alcance de los niños el material de embalaje (bolsas de plástico y poliestireno expandido), ya que son fuentes potenciales de peligro.

#### PRECAUCIÓN

Retire el cartón, la(s) cinta(s) y el embalaje de expedición. La máquina de hielo no funcionará correctamente si no se quita el material de embalaje.



Ilust. 1

- 1) Una vez retirado el embalaje, verifique que la máquina de hielo se encuentra en buen estado. En caso de duda, no use el equipo y consulte a profesionales cualificados.
- 2) Retire la cinta de embalaje que sujeta los componentes.
- 3) Retire el plástico protector del exterior. Si la máquina de hielo está expuesta al sol o al calor, quítele la película una vez que se haya enfriado.

4) Extraiga el paquete de accesorios y verifique su contenido:

a) Cable de suministro eléctrico	1
b) Soporte de montaje	2
c) Perno	2

## 2. UBICACIÓN

### IMPORTANTE

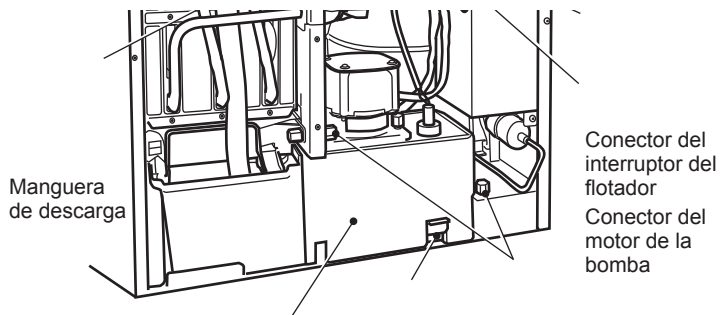
1. Esta máquina de hielo no está diseñada para uso en el exterior. La temperatura ambiente de trabajo normal debe situarse entre 7 °C y 40 °C. La temperatura de trabajo normal del agua debe situarse entre 7 °C y 35 °C. La utilización de la máquina de hielo fuera de estos márgenes de temperatura normal por periodos prolongados puede afectar su capacidad de producción.
2. La máquina de hielo no debe colocarse cerca de hornos, parrillas u otras fuentes de calor.
3. El equipo debe ubicarse sobre una base firme y nivelada.
4. Deje un espacio de 15 cm en la parte posterior, el lateral izquierdo y la parte superior y un espacio de 30 cm en el lateral derecho para permitir la circulación de aire y facilitar las operaciones de mantenimiento y/o reparación que sean necesarias.
5. Este equipo no debe instalarse en un lugar en el que pueda utilizarse un chorro de agua y donde no esté permitida la formación de gotas.
6. No coloque nada encima de la máquina de hielo ni delante de la rejilla.
7. Esta máquina de hielo no funciona a temperaturas inferiores al punto de congelación del agua. Para prevenir averías en la tubería de suministro de agua, drene la máquina cuando la temperatura del aire sea inferior a cero (véase "II. 2. PREPARACIÓN DE LA MÁQUINA DE HIELO PARA UN ALMACENAMIENTO PROLONGADO").

## 3. INSTALACIÓN

- \* El fabricante no se hace responsable de los daños a personas, animales o bienes materiales provocados por una instalación incorrecta.
- \* Coloque la máquina de hielo encima de la cuba de almacenamiento o de la unidad dispensadora sujetándola por la parte inferior.
- \* Sitúe la máquina de hielo en la ubicación permanente escogida.
- \* La máquina debe colocarse de modo que el enchufe resulte accesible.

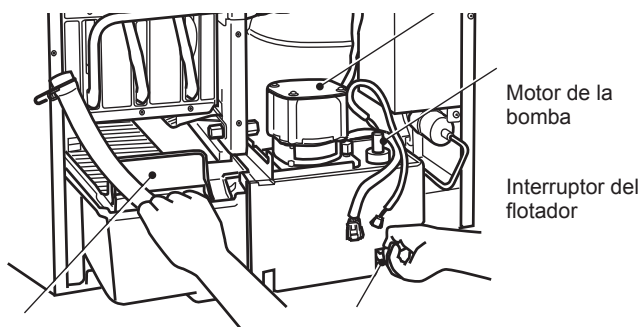
## 4. INSTALACIÓN DEL CONTROL DE LA CUBA

- 1) Retire la tapa delantera y, seguidamente, el aislamiento delantero.
- 2) Afloje los dos tornillos de mariposa que fijan el soporte del motor de la bomba. Véase ilust. 2.
- 3) Desconecte la manguera de descarga.
- 4) Desconecte el conector del motor de la bomba y el conector del interruptor del flotador del lateral de la caja de control.
- 5) Mientras empuja hacia arriba la pestaña de fijación situada en el lado derecho del soporte del motor de la bomba, retire el depósito de agua, la guía de cubitos, el soporte del motor de la bomba, el motor de la bomba y el interruptor del flotador al mismo tiempo. Véase la ilust. 3.



Tornillos de mariposa  
Pestaña de fijación  
Soporte del motor de la bomba

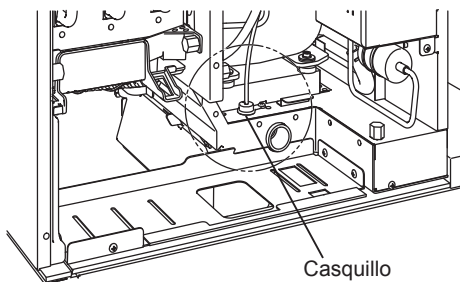
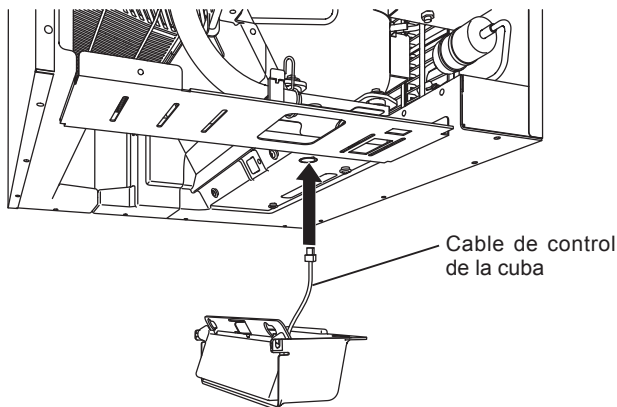
**Ilust. 2**



Guía de cubitos Pestaña de fijación

**Ilust. 3**

6) Dirija el cable de control de la cuba a través del orificio de la base y, a continuación, por el casquillo suministrado. Véase ilust. 4.

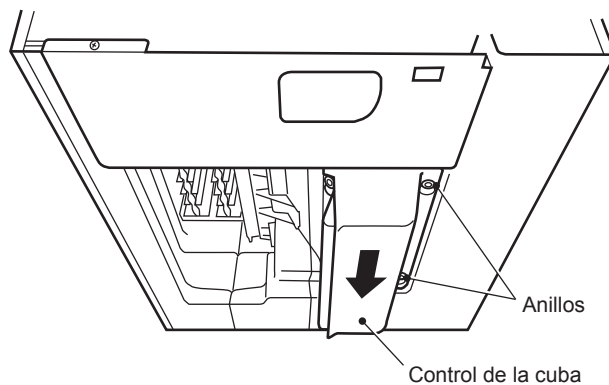


**Ilust. 4**

7) Mientras eleva los cables del control de la cuba, enganche el control de la cuba en la pared interior del lateral derecho. A continuación, empuje el control de la cuba hacia arriba contra la parte inferior de la unidad y deslícelo hacia la parte posterior hasta que quede fijado en su lugar. Asegúrese de que los orificios ranurados situados en el lateral derecho del control de la cuba quedan bien colocados sobre los anillos situados en la parte inferior de la unidad. Véase ilust. 5.

### PRECAUCIÓN

Asegúrese de que el control de la cuba queda fijado en su lugar. De lo contrario, el hielo podría quedar atrapado entre los huecos y dañar el control de la cuba.



**Ilust. 5**

8) Elimine cualquier holgura que pueda haber en el cable de control de la cuba y coloque de nuevo el casquillo adosado al cable de control de la cuba en el orificio de la base.

9) Conecte el conector del control de la cuba en el lateral de la caja de control.

10) Vuelva a colocar el depósito de agua, la guía de cubitos, el soporte del motor de la bomba, el motor de la bomba y el interruptor del flotador en sus ubicaciones correspondientes hasta que queden fijados en su lugar.

### PRECAUCIÓN

Asegúrese de que la manguera de descarga pase por detrás del tubo de cobre y conéctela correctamente en su posición. Véase ilust. 2. De lo contrario, la manguera de descarga podría quedarse atrapada en el aislamiento frontal, dando lugar a resultados incorrectos.

11) Fije el soporte del motor de la bomba con los dos tornillos de mariposa.

12) Vuelva a conectar el conector del motor de la bomba y el conector del interruptor del flotador.

13) Monte de nuevo el aislamiento frontal y la tapa delantera en sus posiciones correctas.

## 5. CONEXIONES ELÉCTRICAS

### ADVERTENCIA

#### ESTA MÁQUINA DEBE CONECTARSE A TIERRA

Esta máquina de hielo requiere una conexión a tierra conforme a la normativa eléctrica nacional y local. Para evitar la posibilidad de fuertes descargas eléctricas a personas o graves averías del equipo, conecte a la máquina un cable de puesta a tierra adecuado. Antes de realizar cualquier operación de mantenimiento, reparación o limpieza, desconecte la máquina del enchufe de corriente.

\* Este equipo necesita una alimentación de 220 – 240 VCA, 10 A aparte. El suministro eléctrico debe protegerse con un disyuntor apropiado.

- \* El fusible principal de la caja de control es de 5 A, 250 V y solo debe sustituirlo un técnico de mantenimiento cualificado.
- \* Normalmente son necesarios un permiso para obras eléctricas y los servicios de un electricista acreditado.
- \* Si se daña el cable de alimentación, deberá sustituirse por un cable de repuesto disponible en los centros de repuestos/servicio de Hoshizaki.

## Únicamente en el Reino Unido y la República de Irlanda

- \* Los hilos del cable de red están coloreados de acuerdo con el código siguiente:

Verde y amarillo = Tierra  
Azul = Neutro  
Marrón = Activo

Es posible que los colores de los hilos del cable de red de este equipo no se correspondan con las marcas de color que identifican los terminales del enchufe que se utilice. En ese caso, proceda del modo siguiente:

El hilo verde y amarillo se debe conectar al terminal del enchufe marcado con la letra E o con el símbolo  $\perp$ , o de color verde o de color verde-amarillo. El hilo azul debe conectarse al terminal marcado con la letra N o de color negro. El hilo marrón debe conectarse al terminal marcado con la letra L o de color rojo.

- \* En caso de que las tomas de corriente del lugar donde se va a instalar no sean adecuadas para el enchufe que se suministra con el producto, debe sustituirse el enchufe (cortándolo si está moldeado) por uno adecuado.

Si la clavija no reutilizable se ha cortado del cable de alimentación, dicha clavija debe desecharse. No trate de reutilizarla. La introducción de esta clavija en cualquier toma de corriente representa un grave riesgo de descarga eléctrica.

- \* La clavija no reutilizable no debe utilizarse nunca sin una tapa de fusibles montada.

El recambio correcto de la tapa de fusibles desmontable se identifica por el número de referencia del fabricante grabado en la propia clavija.

Puede obtener tapas de fusibles de repuesto en los centros de repuestos/servicio de Hoshizaki.

Los fusibles deben ser de 10 A y estar homologados según BS 1362.

## 6. SUMINISTRO DE AGUA Y CONEXIONES DE DRENAJE

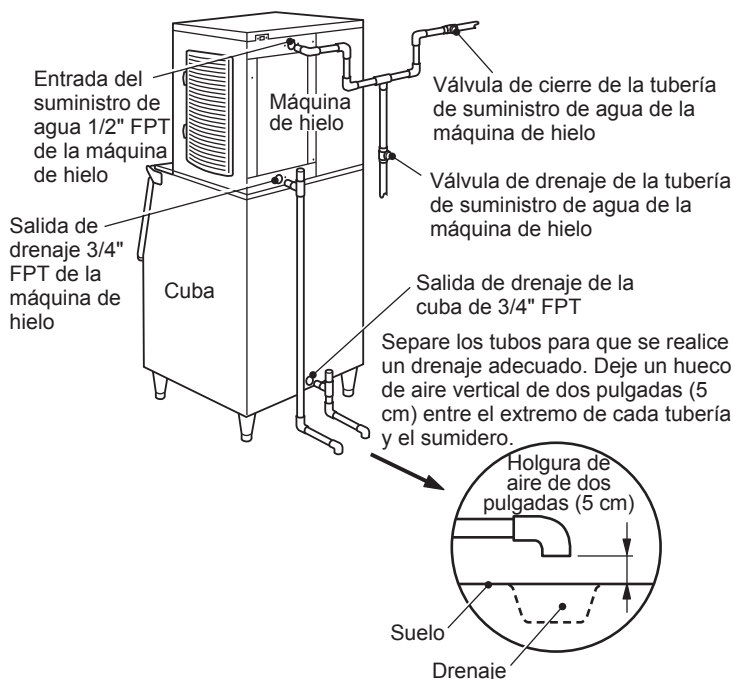
### ADVERTENCIA

En esta máquina de hielo sólo debe utilizarse agua potable.

- \* La conexión a la red de suministro general de agua debe hacerse según la regulación vigente de cada país en materia de suministro de agua o racores.
- \* Para evitar una reducción del rendimiento o un malfuncionamiento debido a las incrustaciones, el suministro de agua debe tener una dureza que no sea superior a 50 mg/l y un contenido de sílice no superior a 30 mg/l. En caso contrario, será necesaria la instalación de un dispositivo de tratamiento de agua adecuado.
- \* La presión del suministro de agua debe ser de 0,07 MPa (0,7 bar) como mínimo y 0,8 MPa (8 bar) como máximo. Si la presión es superior a 0,8 MPa (8 bar), utilice una válvula reductora. **NO** trate de reducir la presión actuando sobre la llave de paso.
- \* En algunas localidades pueden ser necesarios un permiso para obras de fontanería y los servicios de un fontanero acreditado.

- \* El agua debe drenar en un colector abierto.
- \* El drenaje de la máquina de hielo se realiza por gravedad, de modo que el conducto de drenaje debe disponer de la pendiente y altura adecuadas.
- \* Se necesita una conexión de ventilación en T para que el flujo se drene correctamente. Véase ilust. 6.
- \* La tubería de drenaje de la máquina de hielo debe ponerse en funcionamiento de forma separada de la tubería de drenaje de la cuba de almacenamiento/unidad dispensadora. Véase ilust. 6.
- \* No debería haber flujo de retorno en el circuito de agua.
- \* La conexión al suministro de agua se debe realizar con un tubo, no con un conjunto de mangueras.

Nota: Los componentes de la junta deben ser adecuados y deben estar homologados para uso con agua potable.



Ilust. 6

## II. INSTRUCCIONES DE UTILIZACIÓN

### ADVERTENCIA

- Esta máquina de hielo ha sido diseñada para producir hielo comestible. Para mantener la higiene de la máquina:
  - \* Lávese las manos antes de extraer hielo. Utilice la pala de plástico que se suministra (accesorio).
  - \* La cuba de almacenamiento solo puede utilizarse para el hielo. No guarde en ella nada que no sea hielo.
  - \* Limpie la cuba de almacenamiento antes de utilizarla (véase "III. 1. LIMPIEZA").
  - \* Mantenga la pala limpia. Límpiela con un detergente neutro y aclárela bien.
  - \* Cierre la puerta después de extraer hielo para evitar que entren suciedad, polvo o insectos en la cuba de almacenamiento.
- El uso de cualquier aparato eléctrico requiere observar algunas normas fundamentales. En particular:
  - \* Un alto grado de humedad incrementa el riesgo potencial de cortocircuitos y de descargas eléctricas. En caso de duda, desconecte la máquina de hielo.
  - \* Para desconectar la máquina de la red eléctrica, no tire del cable de alimentación.
  - \* Este equipo no está diseñado para uso por personas (incluidos los niños) con capacidades físicas, sensoriales o mentales reducidas, o bien, que carecen de experiencia o conocimientos adecuados, a menos que la persona



responsable de su seguridad les supervise o proporcione instrucciones acerca del uso del equipo.

\* Es necesario vigilar a los niños para que no jueguen con el equipo.

3. Todos los componentes están ajustados de fábrica. Un ajuste incorrecto puede provocar averías.

4. Si desconecta la unidad, espere al menos 3 minutos antes de ponerla de nuevo en marcha para evitar que el compresor se averíe.

## 1. FUNCIONAMIENTO

El instalador normalmente prepara la máquina de hielo para que arranque con el proceso automático de producción. Para garantizar el funcionamiento en régimen continuo, asegúrese de que:

- \* la llave de paso de agua está abierta,
- \* la máquina de fabricación de hielo está enchufada a la red eléctrica y
- \* el interruptor de control está en la posición "ICE".

## 2. PREPARACIÓN DE LA MÁQUINA DE HIELO PARA UN ALMACENAMIENTO PROLONGADO

- 1) Sitúe el interruptor de control en la posición "OFF".
- 2) Desenchufe la máquina de fabricación de hielo o desconecte la alimentación eléctrica.
- 3) Cierre la válvula de cierre de la tubería de suministro de agua.
- 4) Extraiga todo el hielo de la cuba de almacenamiento/unidad dispensadora y limpie la cuba/unidad dispensadora.
- 5) Solicite a personal cualificado que realice el drenaje de la máquina de hielo.

## III. MANTENIMIENTO

### 1. LIMPIEZA

#### ADVERTENCIA

1. Antes de realizar cualquier operación de limpieza o mantenimiento, desenchufe la máquina de hielo de la red eléctrica.
2. Solicite a personal capacitado de mantenimiento la limpieza y esterilización del sistema de agua de la máquina de hielo al menos dos veces al año y la revisión y limpieza del condensador al menos una vez al año.
3. Esta máquina no debe limpiarse con un chorro de agua.
4. No use ningún tipo de alcohol para la limpieza o esterilización de la máquina de fabricación de hielo. Puede causar grietas en las piezas de plástico.
5. Para prevenir posibles averías, no limpie las piezas de plástico con agua a más de 40 °C ni en un lavavajillas.

#### [1] Exterior de la máquina y de la cuba

Limpie el exterior al menos una vez por semana con un trapo limpio y suave. Utilice un trapo humedecido con un detergente neutro para eliminar la grasa o la suciedad.

#### [2] Pala

- 1) Mezcle 3 litros de agua con 11 mL de una solución de hipoclorito sódico al 5,25% en un recipiente adecuado, o bien utilice el esterilizador de agua recomendado por Hoshizaki siguiendo las instrucciones.

- 2) Sumerja la pala en la solución durante más de 3 minutos. Aclárela con abundante agua y sacúdala para eliminar el exceso de líquido.

Nota: el uso de un trapo para secarla podría contaminarla.

#### [3] Limpieza/esterilización del interior de la cuba de almacenamiento (cada semana)

- 1) Abra la puerta de la cuba de almacenamiento y extraiga todo el hielo.

Nota: Hoshizaki recomienda varios tipos de cubas de almacenamiento para la máquina de hielo que varían en tamaño y diseños. Por tanto, las siguientes instrucciones solo sirven como asesoramiento general.

- 2) Lave el revestimiento de la cuba y la superficie interior de la puerta con un detergente neutro no abrasivo. Aclare completamente con un trapo limpio y agua clara.
- 3) Mezcle 5 litros de agua con 18 ml de una solución de hipoclorito sódico al 5,25% en un recipiente adecuado, o bien utilice el esterilizador recomendado por Hoshizaki según las instrucciones.
- 4) Empape una esponja o un trapo limpios con la solución y páselos por el revestimiento de la cuba y la superficie interior de la puerta.
- 5) Aclare cuidadosamente con agua clara y un trapo limpio para eliminar la solución. Cierre la puerta de la cuba.

Nota: Algunas soluciones pueden dañar las superficies del revestimiento de la cuba o corroer las piezas metálicas. **Aclare siempre** el esterilizador, salvo que en las instrucciones de Hoshizaki se indique otra cosa.

#### [4] Filtro de aire

Los filtros de aire con malla de plástico eliminan la suciedad o el polvo del aire y evitan que el condensador se obstruya. Si el filtro se obstruye, el rendimiento de la máquina de hielo se reduce. Desmonte y limpie los filtros de aire al menos dos veces al mes:

- 1) Extraiga el filtro de aire.

Nota: no introduzca la mano en el interior del compartimento de la máquina.

- 2) Limpie el filtro de aire con un aspirador. Cuando el filtro de aire esté muy obstruido, utilice agua tibia y un detergente neutro para lavarlo.
- 3) Aclare y seque completamente el filtro de aire y luego vuelva a montarlo en su posición correcta.

#### [5] Sistema de agua de fabricación de hielo

Para mantener la máquina de hielo en buenas condiciones higiénicas, se recomienda limpiar periódicamente el sistema de agua de fabricación de hielo. Solicite siempre a personal capacitado de mantenimiento la limpieza del sistema de agua.

Nota: 1. El interruptor de lavado de la caja de control está diseñado sólo para uso del personal de mantenimiento.

2. Durante la operación normal de fabricación de hielo, mantenga el interruptor de lavado en la posición "ICE".

## 2. ANTES DE LLAMAR A UN AGENTE DE REPARACIÓN

#### ADVERTENCIA

No dañe el circuito del refrigerante.

Si la máquina de hielo no funciona correctamente o no funciona en absoluto, antes de llamar al servicio de reparaciones compruebe que:

- \* La unidad está conectada a la red eléctrica.

- \* El interruptor de control está en la posición "ICE".
- \* El agua está conectada.
- \* El filtro de aire está limpio.

Para asistencia o asesoramiento adicionales, póngase en contacto con el agente de reparaciones local de Hoshizaki.

### 3. GARANTÍA

Hoshizaki garantiza al usuario/propietario que ninguno de los productos de su marca presentarán defectos de material o mano de obra durante la duración del "periodo de garantía". La garantía será efectiva durante dos años a partir de la fecha de instalación. La responsabilidad de Hoshizaki según los términos de esta garantía es limitada y excluirá el servicio de rutina, la limpieza, el mantenimiento esencial y/o las reparaciones ocasionadas por uso incorrecto y por instalaciones que no se ajusten a las instrucciones de Hoshizaki.

Las reparaciones cubiertas por la garantía deberán ser realizadas por un distribuidor o centro de servicio homologado de Hoshizaki empleando componentes originales de Hoshizaki.

Para más detalles sobre la garantía y los centros de servicio homologados, póngase en contacto con su distribuidor/proveedor, o con la oficina de Servicio Técnico de Hoshizaki más próxima.

#### Europa, Medio Oriente, África

Hoshizaki UK - R.U., Irlanda  
 TEL: +44 845 456 0585  
 FAX: +44 132 283 8331  
 uksales@hoshizaki.co.uk

Hoshizaki Deutschland - Alemania, Suiza, Austria  
 TEL: +49 2154 92810  
 FAX: +49 2154 928128  
 info@hoshizaki.de

Hoshizaki France - Francia  
 TEL: +33 1 48 63 93 80  
 FAX: +33 1 48 63 93 88  
 info@hoshizaki.fr

Hoshizaki Iberia - España, Portugal  
 TEL: +34 93 478 09 52  
 FAX: +34 93 478 08 00  
 info@hoshizaki.es

Hoshizaki Middle East - Medio Oriente  
 TEL: +971 48 876 612  
 FAX: +971 48 876 613  
 sales@hoshizaki.ae

Hoshizaki Nederland & België - Países Bajos, Bélgica, Luxemburgo  
 TEL: +31 20 5650420 (Nederland)  
 TEL: +32 2 712 30 30 (België)  
 FAX: +31 20 6918768  
 sales@hoshizaki.nl (Nederland)  
 info@hoshizaki.be (België)

Hoshizaki Europe B.V. - todos los demás países europeos y África  
 TEL: +31 20 6918499  
 FAX: +31 20 6918768  
 sales@hoshizaki.nl

#### Asia, Oceanía

Hoshizaki Singapore  
 TEL: +65 6225 2612  
 FAX: +65 6225 3219

Hoshizaki Taiwan  
 TEL: +886 2 2748 1589  
 FAX: +886 2 2747 1559

Hoshizaki Hong Kong  
 TEL: +852 2866-2108  
 FAX: +852 2866-2109

Hoshizaki Lancer  
 TEL: +61 8 8268 1388  
 FAX: +61 8 8268 1978

### IV. ELIMINACIÓN

Siga las normativas locales aplicables a la eliminación de este equipo y el gas refrigerante que contiene. Antes de desechar el equipo, quite la puerta para evitar que niños queden atrapados dentro jugando.

Eliminación correcta de este producto:

Estas marcas indican que está prohibido eliminar este producto junto con otros desechos de uso doméstico en todo el territorio de la UE. Para evitar el posible daño al medioambiente o a la salud pública, provocado por la eliminación no controlada de desechos, recíclelos de forma responsable para fomentar la reutilización sostenible de los recursos materiales. Para devolver el dispositivo usado, utilice los sistemas de devolución y recogida o póngase en contacto con el punto de venta en el que adquirió el producto. El personal se encargará de que el producto se recicle respetando el medioambiente.



#### IMPORTANTE



La espuma aislante utilizada para el cuerpo de la unidad contiene ciclopentano, un gas inflamable. Téngalo en cuenta para deshacerse del producto de forma adecuada.

**Este producto incluye un sistema de refrigeración sellado herméticamente que contiene gases fluorados de efecto invernadero que cumplen con el Protocolo de Kyoto:**

KMD-270AA (50Hz)	R404A / GWP 3920 / 0,78kg
KMD-270AA (60Hz)	R404A / GWP 3920 / 0,78kg
KMD-270AWA (50Hz)	R404A / GWP 3920 / 0,55kg
KMD-270AWA (60Hz)	R404A / GWP 3920 / 0,50kg

**Este producto cumple con los requisitos básicos en cuanto a salud y seguridad requeridos por las siguientes normativas:**

**Directiva EMC (2004/108/CE)**  
**Directiva sobre bajo voltaje (2006/95/EC)**  
**Directiva sobre restricciones a la utilización de determinadas sustancias peligrosas en aparatos eléctricos y electrónicos (2011/65/EU)**  
**Reglamento sobre los materiales destinados a entrar en contacto con alimentos (CE 1935/2004)**

**Representante autorizado:**  
**Hoshizaki Europe B.V.**  
**Keienbergweg 50 C/D, 1101 GC Amsterdam, Países Bajos**

## IMPORTANTE

1. Il presente manuale è parte integrante e fondamentale del prodotto e deve essere conservato con cura dall'utente. Si raccomanda di leggere con attenzione le indicazioni e le avvertenze ivi contenute, volte a fornire all'installatore/utente le informazioni fondamentali per la corretta installazione, l'utilizzo prolungato e la manutenzione del prodotto in condizioni di sicurezza. Si raccomanda di conservare il presente manuale per eventuali necessità di consultazione future.
2. Questa è una macchina industriale e deve essere utilizzata esclusivamente per gli impieghi per la quale è stata espressamente progettata. Qualunque altro impiego è da considerarsi improprio e pertanto pericoloso. La casa costruttrice declina ogni responsabilità per eventuali danni provocati da uso improprio, non corretto o sconsiderato.

## I. ISTRUZIONI PER L'INSTALLAZIONE

### AVVERTENZA

1. **L'installazione deve essere eseguita da personale specializzato**, in conformità alle norme vigenti e alle istruzioni della casa costruttrice.
2. Mantenere prive di ostruzioni le aperture di ventilazione della custodia della macchina o della struttura incorporata.

### 1. DISIMBALLAGGIO

#### AVVERTENZA

Tenere gli elementi d'imballaggio (sacchetti in plastica e polistirolo espanso) lontano dalla portata dei bambini, perché potenzialmente pericolosi.

#### ATTENZIONE

Rimuovere il cartone d'imballaggio, il nastro/i e l'imballaggio. La macchina non funziona in modo corretto se non si rimuove tutto il materiale d'imballaggio.

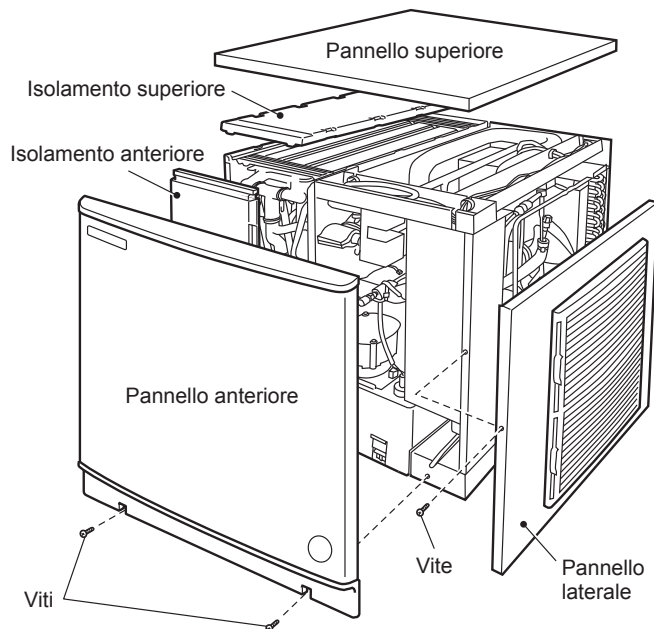


Fig. 1

- 1) Dopo aver rimosso l'imballaggio, verificare che la macchina sia in buone condizioni. Qualora sorgano dubbi in merito, non utilizzare la macchina ma rivolgersi a personale qualificato.
- 2) Togliere il nastro adesivo che fissa i componenti.
- 3) Rimuovere dalla parte esterna la pellicola protettiva in plastica. In caso di esposizione al sole o a fonti di calore, rimuovere la pellicola dopo aver lasciato raffreddare la macchina.

4) Rimuovere il pacchetto di accessori e verificarne il contenuto:

- |                                 |   |
|---------------------------------|---|
| a) Cavo alimentazione elettrica | 1 |
| b) Staffa di montaggio          | 2 |
| c) Bullone                      | 2 |

## 2. UBICAZIONE

### IMPORTANTE

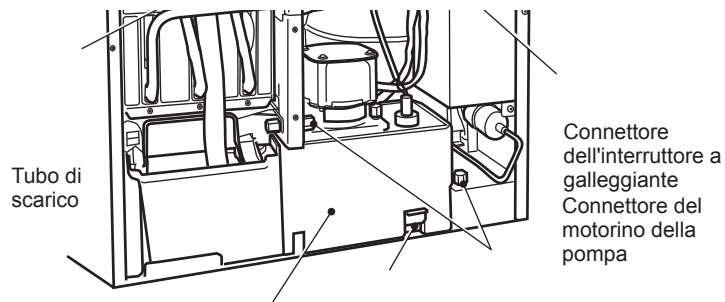
1. La macchina non è adatta per essere utilizzata all'aria aperta. La normale temperatura operativa dell'ambiente deve spaziare da 7°C a 40°C. La normale temperatura operativa dell'acqua deve spaziare, invece, da 7°C a 35°C. Facendo funzionare la macchina con valori al di fuori delle gamme previste, si rischia di condizionarne la capacità di produzione.
2. La macchina non deve essere ubicata in prossimità di forni, grill o altri apparecchi che producono calore.
3. Il pavimento su cui poggia deve garantire alla macchina una base solida e piana.
4. Lasciare uno spazio libero di 15 cm sul retro, sul lato sinistro e sulla parte superiore della macchina e 30 cm sul lato destro, in modo da favorire la circolazione dell'aria e le eventuali operazioni di manutenzione e/o servizio.
5. La macchina non è adatta per essere installata dove si fa uso di getti d'acqua o non si può drenare.
6. Non posizionare alcun oggetto sulla sommità della macchina e davanti alla sfenestratura.
7. Questa macchina non funziona a temperature inferiori allo zero. Scaricare la macchina quando la temperatura dell'aria è al di sotto dello zero, al fine di prevenire eventuali danni al circuito di alimentazione dell'acqua (vedere "II. 2. PREPARATIVI PER IL LUNGO IMMAGAZZINAGGIO DELLA MACCHINA").

## 3. INSTALLAZIONE

- \* L'installazione non corretta può provocare lesioni alle persone, agli animali e danni materiali, per i quali la casa costruttrice declina ogni responsabilità.
- \* Afferrandone il fondo, collocare la macchina sopra il deposito di raccolta/distributore.
- \* Collocare la macchina nel luogo designato per l'installazione permanente.
- \* La macchina deve essere posizionata in modo che la presa sia facilmente accessibile.

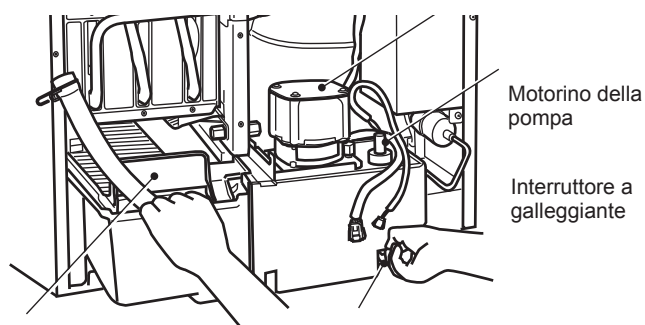
## 4. INSTALLAZIONE CONTROLLO DEPOSITO

- 1) Rimuovere il pannello anteriore, quindi rimuovere l'isolamento anteriore.
- 2) Allentare le due viti a testa piatta che fissano la staffa del motorino della pompa. Vedere Fig. 2.
- 3) Scollegare il tubo di scarico.
- 4) Scollegare il connettore del motorino della pompa e il connettore dell'interruttore a galleggiante dal lato della scatola di comando.
- 5) Spingendo verso l'alto la levetta a scatto sul lato destro della staffa del motorino della pompa, estrarre il serbatoio dell'acqua, la guida cubetti, la staffa del motorino della pompa, il motorino della pompa e l'interruttore a galleggiante insieme. Vedere Fig. 3.



Levetta a scatto Viti a testa piatta  
Staffa del motorino della pompa

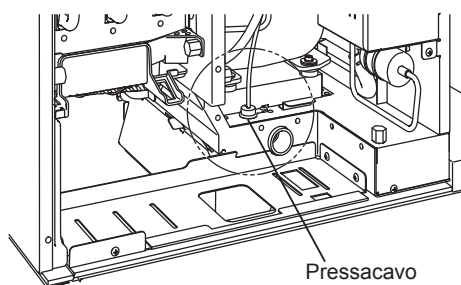
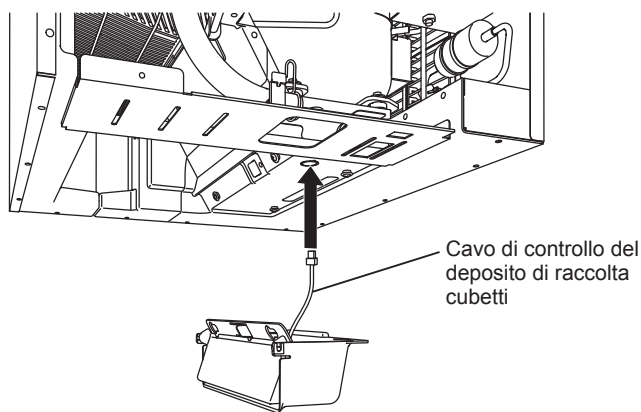
**Fig. 2**



Guida cubetti Levetta a scatto

**Fig. 3**

6) Far passare il cavo di controllo del deposito attraverso il foro nella base, quindi nel pressacavo in dotazione. Vedere Fig. 4.

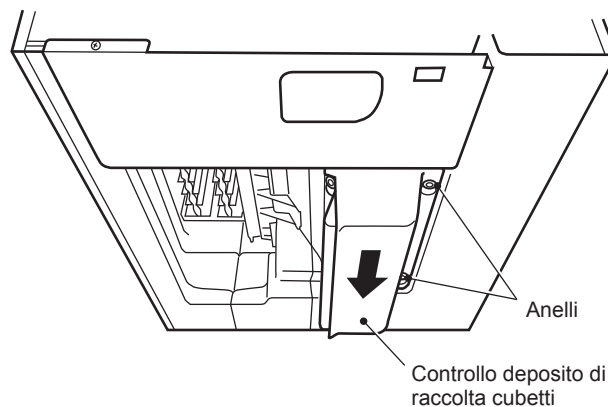


**Fig. 4**

7) Agganciare il controllo deposito di raccolta cubetti alla parete interna sul lato destro, tenendo sollevato il cavo del controllo deposito. Quindi spingere il controllo deposito sul fondo della macchina, facendolo scorrere verso la parte posteriore fino allo scatto. Assicurarsi che le asole sul lato destro del controllo deposito siano saldamente posizionate sugli anelli al fondo della macchina. Vedere Fig. 5.

### ATTENZIONE

Assicurarsi che il controllo deposito sia posizionato saldamente. Altrimenti, il ghiaccio potrebbe passare tra gli spazi e danneggiare il controllo deposito.



**Fig. 5**

8) Eliminare eventuali allentamenti nel cavo di controllo del deposito, quindi riportare il pressacavo collegato al cavo di controllo del deposito nel foro della base.

9) Collegare il connettore del controllo deposito al lato della scatola di comando.

10) Riposizionare e bloccare mediante lo scatto il serbatoio dell'acqua, la guida cubetti, la staffa del motorino della pompa, il motorino della pompa e l'interruttore a galleggiante.

### ATTENZIONE

Assicurarsi di far passare il tubo di scarico dietro il tubo in rame e collegarlo saldamente. Vedere Fig. 2. Diversamente, il tubo di scarico potrebbe rimanere impigliato nell'isolamento anteriore, con conseguenti risultati inadeguati.

11) Fissare la staffa del motorino della pompa con le due viti a testa piatta.

12) Ricollegare i connettori del motorino della pompa e dell'interruttore a galleggiante.

13) Posizionare nel modo corretto l'isolamento anteriore e il pannello anteriore.

## 5. COLLEGAMENTI ELETTRICI

### AVVERTENZA

#### LA MACCHINA DEVE ESSERE COLLEGATA A MASSA

La macchina deve essere collegata a massa in modo da soddisfare le norme elettriche a livello locale e nazionale. Per prevenire gravi lesioni da scosse elettriche alle persone e seri danni alla macchina, collegare alla medesima un idoneo cavo di massa. Scollegare la spina dalla presa principale prima di eseguire qualunque intervento di manutenzione, riparazione o pulizia.

\* Questa macchina richiede un'alimentazione separata a 220 - 240 V CA, da 10 A. L'alimentazione elettrica deve essere protetta da un interruttore automatico adeguato.

- \* Il fusibile della scatola di comando principale è da 5 A, 250 V e deve essere sostituito esclusivamente da un tecnico di servizio specializzato.
- \* Per eseguire interventi elettrici sono solitamente necessari un permesso specifico nonché l'assistenza di un elettricista qualificato.
- \* Se il cavo di alimentazione è danneggiato, sostituirlo con un cavo di ricambio reperibile presso il centro assistenza/ricambi Hoshizaki.

## Solo per il Regno Unito e la Repubblica d'Irlanda

- \* I fili del cavo di alimentazione sono colorati in base al seguente codice:

verde e giallo = massa  
 blu = neutro  
 marrone = sotto tensione

Dato che i colori dei fili del cavo di alimentazione della macchina possono non corrispondere ai contrassegni colorati che identificano i terminali della spina dell'utente, procedere come segue.

Il filo verde e giallo deve essere collegato al terminale della spina contrassegnato dalla lettera E o dal simbolo  $\perp$  o di colore verde o verde e giallo. Il filo blu deve essere collegato al terminale della spina contrassegnato dalla lettera N o di colore nero. Il filo marrone deve essere collegato al terminale contrassegnato dalla lettera L o di colore rosso.

- \* Se le prese a muro, nel luogo dell'installazione, non sono adatte alla spina appartenente alla dotazione del prodotto, togliere la spina (tagliandola se è del tipo pressofuso) e sostituirla con una spina adatta.

Se dal cavo di alimentazione elettrica è stata tagliata una spina di tipo non riciclabile, smaltirla. Non cercare di riutilizzarla. Inserire una spina del genere in una qualsiasi altra presa comporta un forte rischio di scosse elettriche.

- \* La spina non riciclabile non va mai utilizzata senza aver montato un coprifusibile.

Per individuare il corretto ricambio del coprifusibile smontabile, leggere il numero di riferimento della casa costruttrice impresso sulla spina.

I coprifusibili possono essere reperiti presso il centro assistenza/ricambi Hoshizaki.

I fusibili devono essere di 10A e con approvazione BS 1362.

## 6. COLLEGAMENTO DI ALIMENTAZIONE DELL'ACQUA E COLLEGAMENTO DI SCARICO

### AVVERTENZA

Per la macchina deve essere utilizzata solo acqua potabile.

- \* I collegamenti all'approvvigionamento idrico di rete devono essere eseguiti in conformità ai requisiti vigenti delle norme relative all'approvvigionamento dell'acqua e ai raccordi dell'acqua.
- \* Per evitare una riduzione delle prestazioni o guasti dovuti alla formazione di incrostazioni, l'acqua di alimentazione deve avere durezza non superiore a 50 mg/L e un contenuto di silicio non superiore a 30 mg/L. Altrimenti, è necessario installare un apposito dispositivo di trattamento dell'acqua.
- \* La pressione dell'approvvigionamento dell'acqua deve essere di minimo 0,07 MPa (0,7 bar) e massimo 0,8 MPa (8 bar). Se la pressione è superiore a 0,8 MPa (8 bar), utilizzare una valvola limitatrice di pressione. **NON** strozzare il rubinetto dell'acqua.
- \* in alcune località, per eseguire lavori idraulici sono necessari un permesso specifico nonché l'assistenza di un idraulico qualificato.

- \* L'acqua deve essere scaricata in uno scarico aperto.
- \* La macchina è caratterizzata da un flusso di drenaggio a gravità: assicurarsi che il condotto di scarico abbia una pendenza adatta.
- \* Per un corretto flusso di drenaggio è necessario un raccordo a T forato. Vedere Fig. 6.
- \* Il circuito di scarico della macchina e il circuito di scarico del deposito di raccolta/distributore devono funzionare separatamente. Vedere Fig. 6.
- \* Non deve esservi riflusso nel circuito dell'acqua.
- \* Il collegamento di alimentazione dell'acqua deve essere effettuato utilizzando un tubo e non un set di tubi flessibili.

Nota: gli ermetici devono essere approvati e adatti all'uso con acqua potabile.

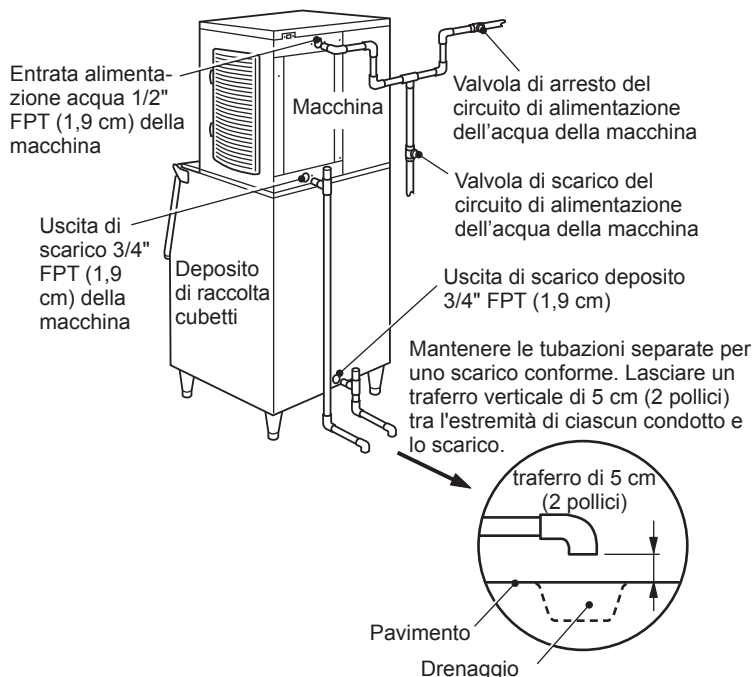


Fig. 6

## II. ISTRUZIONI DI FUNZIONAMENTO

### AVVERTENZA

1. La macchina serve a produrre cubetti di ghiaccio commestibili. Per mantenere la macchina in buone condizioni igieniche, osservare le regole che seguono.
  - \* Lavarsi le mani prima di prelevare i cubetti. Utilizzare il cucchiaino di presa in materiale plastico (in dotazione).
  - \* Il deposito di raccolta cubetti è solo per i cubetti. Non depositarvi altre cose.
  - \* Pulire il deposito di raccolta cubetti prima dell'uso (vedi "III. 1. PULIZIA").
  - \* Mantenere pulito il cucchiaino di presa. A tal fine, utilizzare un detergente neutro e sciacquare abbondantemente.
  - \* Chiudere il portello dopo aver prelevato i cubetti, per evitare che nel deposito di raccolta cubetti entrino impurità, polvere o insetti.
2. L'utilizzo di qualsiasi apparecchio elettrico implica l'osservanza di alcune norme fondamentali. In particolare:
  - \* Ubicando la macchina in ambienti ad alta umidità, si aumenta il rischio di cortocircuiti e di scosse elettriche. In caso di dubbi, disinserire la macchina.
  - \* Non tirare il cavo dell'alimentazione elettrica per scollegare la spina della macchina dalla rete di alimentazione.
  - \* La macchina non deve essere utilizzata da persone (inclusi i bambini) con capacità fisiche, sensoriali e mentali ridotte o prive dell'esperienza e della conoscenza necessarie, tranne nei casi in cui siano fornite la supervisione o le

istruzioni relative all'utilizzo della macchina da una persona responsabile della sicurezza.

\* È necessaria la supervisione di un adulto per assicurare che i bambini non giochino con la macchina.

3. Tutti i componenti sono preimpostati dalla casa costruttrice. Regolazioni non corrette possono provocare guasti.

4. Se la macchina viene spenta, per non danneggiare il compressore, attendere almeno 3 minuti per avviarla di nuovo.

## 1. FUNZIONAMENTO

L'installatore di regola imposta la macchina in modo da avviare il processo di produzione automatica di cubetti. Per garantire il funzionamento continuo, accertare che:

- \* il rubinetto dell'alimentazione acqua sia aperto,
- \* la spina della macchina sia inserita nella presa dell'alimentazione elettrica e
- \* l'interruttore di comando sia in posizione "ICE".

## 2. PREPARATIVI PER IL LUNGO IMMAGAZZINAGGIO DELLA MACCHINA

- 1) Spostare l'interruttore di comando in posizione "OFF".
- 2) Staccare la spina o disinserire l'alimentazione della macchina.
- 3) Chiudere la valvola di arresto del circuito di alimentazione dell'acqua.
- 4) Togliere tutti i cubetti dal deposito di raccolta/distributore e pulirlo.
- 5) Richiedere l'intervento di personale tecnico qualificato per l'esecuzione dell'operazione di scarico.

## III. MANUTENZIONE

### 1. PULIZIA

#### AVVERTENZA

1. Disinserire l'alimentazione elettrica della macchina, quindi eseguire operazioni di pulizia e di manutenzione.
2. Almeno due volte l'anno far pulire e disinfettare il sistema dell'acqua della macchina da personale di servizio qualificato e controllare e pulire il condensatore almeno una volta all'anno.
3. La macchina non deve essere pulita mediante getto d'acqua.
4. Non utilizzare alcool per pulire e disinfettare la macchina. Può provocare crepe nelle parti di plastica.
5. Per evitare danni, non pulire le parti in plastica con acqua ad una temperatura superiore a 40°C o in lavastoviglie.

#### [1] Macchina e esterno del deposito di raccolta cubetti

Per mezzo di un panno morbido e pulito, pulire la parte esterna della macchina almeno una volta alla settimana. Per eliminare grasso o impurità, utilizzare un panno inumidito con un detergente neutro.

#### [2] Cucchiaino di presa

- 1) Mescolare 3 litri d'acqua con 11 ml di soluzione di ipoclorito di sodio al 5,25% in un contenitore idoneo, oppure la soluzione disinfettante Hoshizaki consigliata, come da istruzioni.
- 2) Immergere il cucchiaino di presa nella soluzione per più di 3 minuti. Risciacquare abbondantemente e agitare per rimuovere il liquido in eccesso.

Nota: se si utilizza un panno per asciugare, si rischia una nuova contaminazione.

#### [3] Pulizia e disinfezione dell'interno del deposito di raccolta cubetti (settimanale)

- 1) Aprire il portello del deposito di raccolta cubetti e togliere tutti i cubetti di ghiaccio.

Nota: Hoshizaki suggerisce l'utilizzo di vari tipi di deposito di raccolta, differenti per dimensione e struttura. Pertanto, le seguenti istruzioni sono da intendersi unicamente come indicazioni generali.

- 2) Lavare la camera del deposito e la superficie interna del portello mediante una soluzione detergente neutra non abrasiva. Sciacquare abbondantemente con acqua pulita e un panno pulito.
- 3) Mescolare 5 litri d'acqua con 18 ml di soluzione di ipoclorito di sodio al 5,25% in un contenitore idoneo oppure la soluzione disinfettante Hoshizaki consigliata, come da istruzioni.
- 4) Inumidire una spugna pulita o un panno pulito con la soluzione e pulire la camera del deposito e la superficie interna del portello.
- 5) Sciacquare abbondantemente con acqua dolce e un panno pulito per eliminare la soluzione. Chiudere il portello del deposito.

Nota: Alcune soluzioni possono danneggiare le superfici interne della camera del deposito o corrodere le parti metalliche. Sciacquare **sempre** per eliminare la soluzione disinfettante, a meno che non sia previsto diversamente dalle istruzioni Hoshizaki.

#### [4] Filtro aria

I filtri dell'aria a maglia di plastica servono a filtrare l'aria dalle impurità e dalla polvere, proteggendo così il condensatore da eventuali intasamenti. Con l'intasarsi dei filtri, le prestazioni della macchina si riducono. Smontare i filtri dell'aria e pulirli almeno due volte al mese:

- 1) Smontare il filtro dell'aria.

Nota: non mettere le mani dentro il vano della macchina.

- 2) Pulire il filtro dell'aria per mezzo di un aspirapolvere. In caso di filtro particolarmente intasato, per lavarlo, utilizzare acqua calda assieme ad una soluzione detergente neutra.
- 3) Sciacquare e asciugare con cura il filtro dell'aria, quindi montarlo in modo corretto.

#### [5] Sistema dell'acqua per la produzione di ghiaccio

Per garantire l'igiene della macchina, si consiglia una pulizia periodica del sistema dell'acqua per la produzione di ghiaccio. Richiedere sempre l'intervento di personale tecnico qualificato per la pulizia del sistema dell'acqua.

Nota: 1. L'interruttore di lavaggio sulla scatola di comando deve essere utilizzato esclusivamente da personale di servizio.

2. Durante il normale funzionamento della macchina, mantenere l'interruttore di lavaggio in posizione "ICE".

## 2. PRIMA DI RIVOLGERSI ALL'ASSISTENZA

#### AVVERTENZA

Non danneggiare il circuito di refrigerazione.

Se la macchina non funziona correttamente o non funziona affatto, prima di rivolgersi all'assistenza controllare che:

- \* la macchina riceva l'energia elettrica,
- \* l'interruttore di comando sia in posizione "ICE",
- \* l'acqua sia aperta e
- \* il filtro dell'aria sia pulito.

Per ulteriori assistenza e consulenza, contattare il locale centro di assistenza Hoshizaki.

Hoshizaki Lancer  
TEL: +61 8 8268 1388  
FAX: +61 8 8268 1978

### 3. GARANZIA

Hoshizaki garantisce al proprietario o utente originario che tutti i prodotti con marchio Hoshizaki sono privi di difetti di costruzione e/o inerenti ai materiali per l'intera durata del "periodo di garanzia". La garanzia è valida per due anni dalla data di installazione.

La responsabilità di Hoshizaki secondo le condizioni della garanzia è limitata ed esclude la manutenzione di routine, la pulizia, la manutenzione essenziale e/o le riparazioni che si rendano necessarie in conseguenza di uso scorretto e di installazione non conforme alle indicazioni Hoshizaki.

Le riparazioni in garanzia devono essere eseguite da un rivenditore o da un centro di assistenza autorizzato Hoshizaki, che utilizzino componenti originali Hoshizaki.

Per ottenere informazioni complete in merito alla garanzia e al centro di assistenza autorizzato, si prega di contattare il proprio rivenditore/fornitore di fiducia, oppure l'ufficio assistenza Hoshizaki più vicino.

#### Europa, Medio Oriente, Africa

Hoshizaki UK - Regno Unito, Irlanda  
TEL: +44 845 456 0585  
FAX: +44 132 283 8331  
uksales@hoshizaki.co.uk

Hoshizaki Deutschland - Germania, Svizzera, Austria  
TEL: +49 2154 92810  
FAX: +49 2154 928128  
info@hoshizaki.de

Hoshizaki France - Francia  
TEL: +33 1 48 63 93 80  
FAX: +33 1 48 63 93 88  
info@hoshizaki.fr

Hoshizaki Iberia - Spagna, Portogallo  
TEL: +34 93 478 09 52  
FAX: +34 93 478 08 00  
info@hoshizaki.es

Hoshizaki Middle East - Medio Oriente  
TEL: +971 48 876 612  
FAX: +971 48 876 613  
sales@hoshizaki.ae

Hoshizaki Nederland & België - Paesi Bassi, Belgio, Lussemburgo  
TEL: +31 20 5650420 (Nederland)  
TEL: +32 2 712 30 30 (België)  
FAX: +31 20 6918768  
sales@hoshizaki.nl (Nederland)  
info@hoshizaki.be (België)

Hoshizaki Europe B.V. - tutti gli altri paesi di Europa e Africa  
TEL: +31 20 6918499  
FAX: +31 20 6918768  
sales@hoshizaki.nl

#### Asia, Oceania

Hoshizaki Singapore  
TEL: +65 6225 2612  
FAX: +65 6225 3219

Hoshizaki Taiwan  
TEL: +886 2 2748 1589  
FAX: +886 2 2747 1559

Hoshizaki Hong Kong  
TEL: +852 2866-2108  
FAX: +852 2866-2109

### IV. SMALTIMENTO

Osservare le normative locali in materia di smaltimento della macchina e del gas refrigerante. Prima di smaltire la macchina, rimuovere il portello per evitare che i bambini vi possano rimanere intrappolati.

Smaltimento corretto del prodotto:

Questo simbolo indica che il prodotto non deve essere smaltito con altri rifiuti domestici all'interno dell'UE. Per evitare possibili danni all'ambiente o alla salute derivanti dallo smaltimento incontrollato dei rifiuti, riciclare il prodotto in modo responsabile per promuovere il riutilizzo sostenibile delle risorse materiali. Per restituire la macchina usata, utilizzare i sistemi di restituzione e raccolta o contattare il rivenditore presso il quale è stato acquistato il prodotto. Il prodotto sarà ritirato in vista di un riciclaggio sicuro per l'ambiente.



#### IMPORTANTE



La schiuma isolante utilizzata per l'involucro della macchina contiene gas ciclopentano infiammabile. Ciò premesso, smaltire correttamente il prodotto.

**Il prodotto è dotato di un impianto refrigerante a tenuta ermetica contenente gas fluorurati a effetto serra inclusi nel Protocollo di Kyoto:**

KMD-270AA (50Hz)	R404A / GWP 3920 / 0,78kg
KMD-270AA (60Hz)	R404A / GWP 3920 / 0,78kg
KMD-270AWA (50Hz)	R404A / GWP 3920 / 0,55kg
KMD-270AWA (60Hz)	R404A / GWP 3920 / 0,50kg

**Il prodotto soddisfa i requisiti principali in fatto di salute e sicurezza richiesti dalle normative seguenti:**

**Direttiva EMC (2004/108/CE)**  
**Direttiva sulla bassa tensione (2006/95/CE)**  
**Direttiva RoHS (2011/65/UE)**  
**Regolamento riguardante i materiali e gli oggetti destinati a venire a contatto con i prodotti alimentari (CE 1935/2004)**

**Rappresentante autorizzato:**  
**Hoshizaki Europe B.V.**  
**Keienbergweg 50 C/D, 1101 GC Amsterdam, Paesi Bassi**