



HOSHIZAKI

Parts List

Crescent Cuber

Model

KM-80BAJ



hoshizakiamerica.com

Number: F116-4275
Issued: 5-2017

Auxiliary Codes

KM-80BAJ G-1 April 2017

Auxiliary Code Breakdown

The auxiliary code is the first two characters in the serial number. The first character indicates the year. Years progress or regress in alphabetical order. The series runs from "A" through "V" and the letters "I" and "O" are skipped. The second character indicates significant part changes within a year. Base is "0" and this number advances for each change. In cases where there is a letter in parentheses, this designates the month. This is the last character in the serial number. The series runs from "(A)" through "(M)" and the letter "(I)" is skipped. This designation is only included when identifying a parts change within an auxiliary code.

Note About Ordering Parts

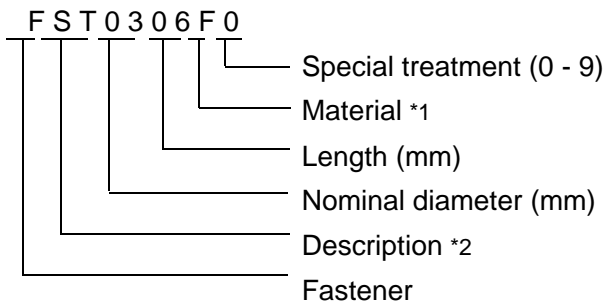
Most assemblies cannot be ordered as complete units; parts in the assemblies generally must be ordered separately.

MARKS LOCATED UNDER THE AUXILIARY CODE

- = Part deleted.

FASTENER PART NUMBER

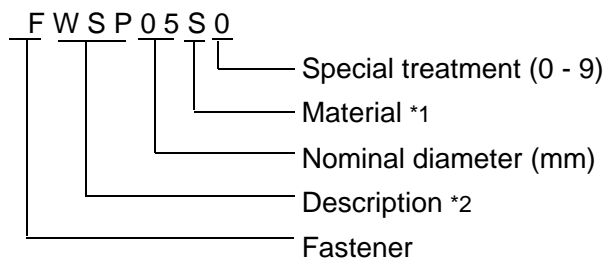
SCREWS



*1

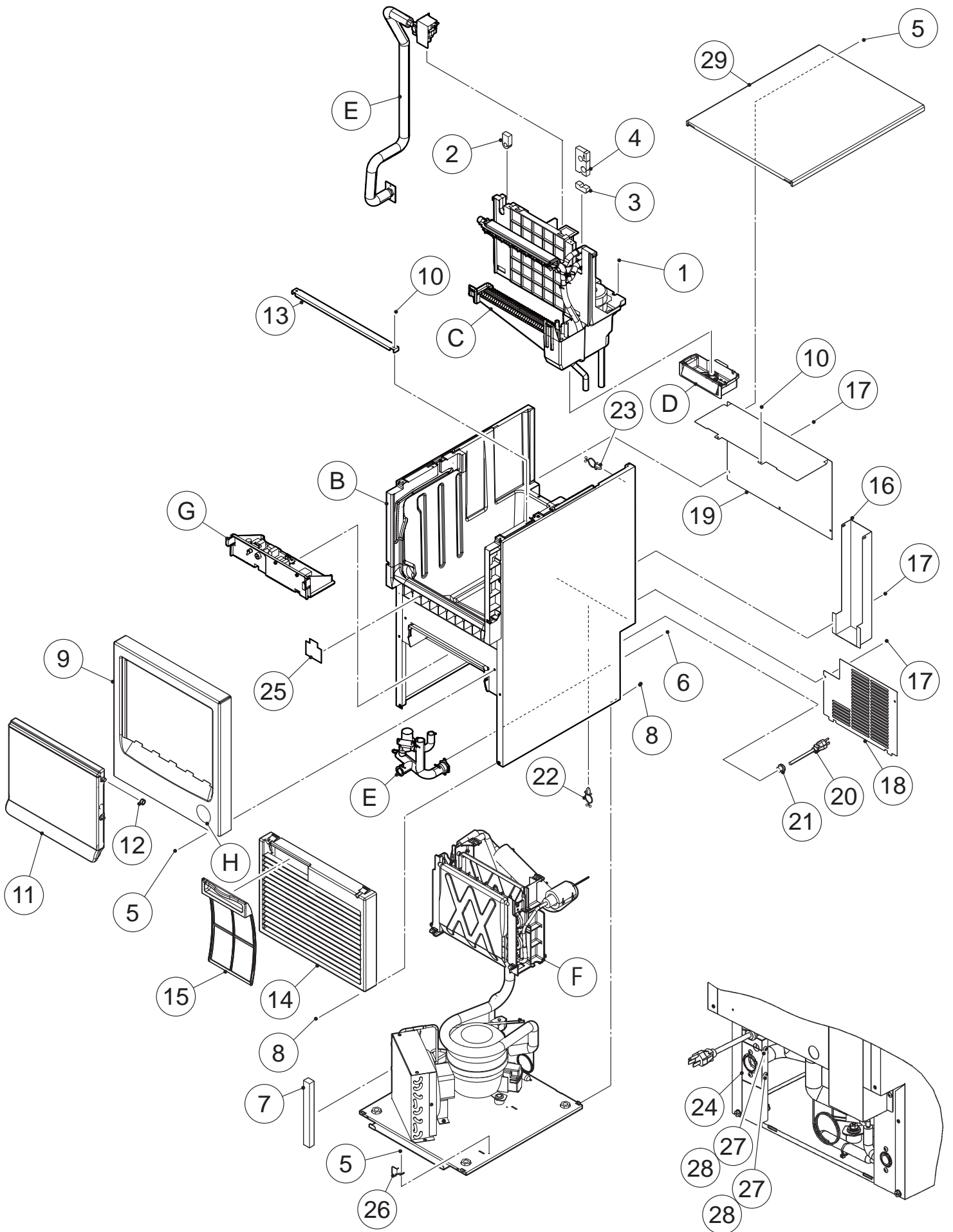
F: Steel
S: Austenitic stainless steel
M: Martensitic stainless steel
B: Copper alloy
P: Polycarbonate
N: Polyamide
V: PVC
A: ABS
X: Polyacetal
L: Aluminum

NUTS & WASHERS



*2

First letter
S: Machine screw
T: Tapping screw
M: Wood screw
B: Bolt
W: Washer
N: Nut

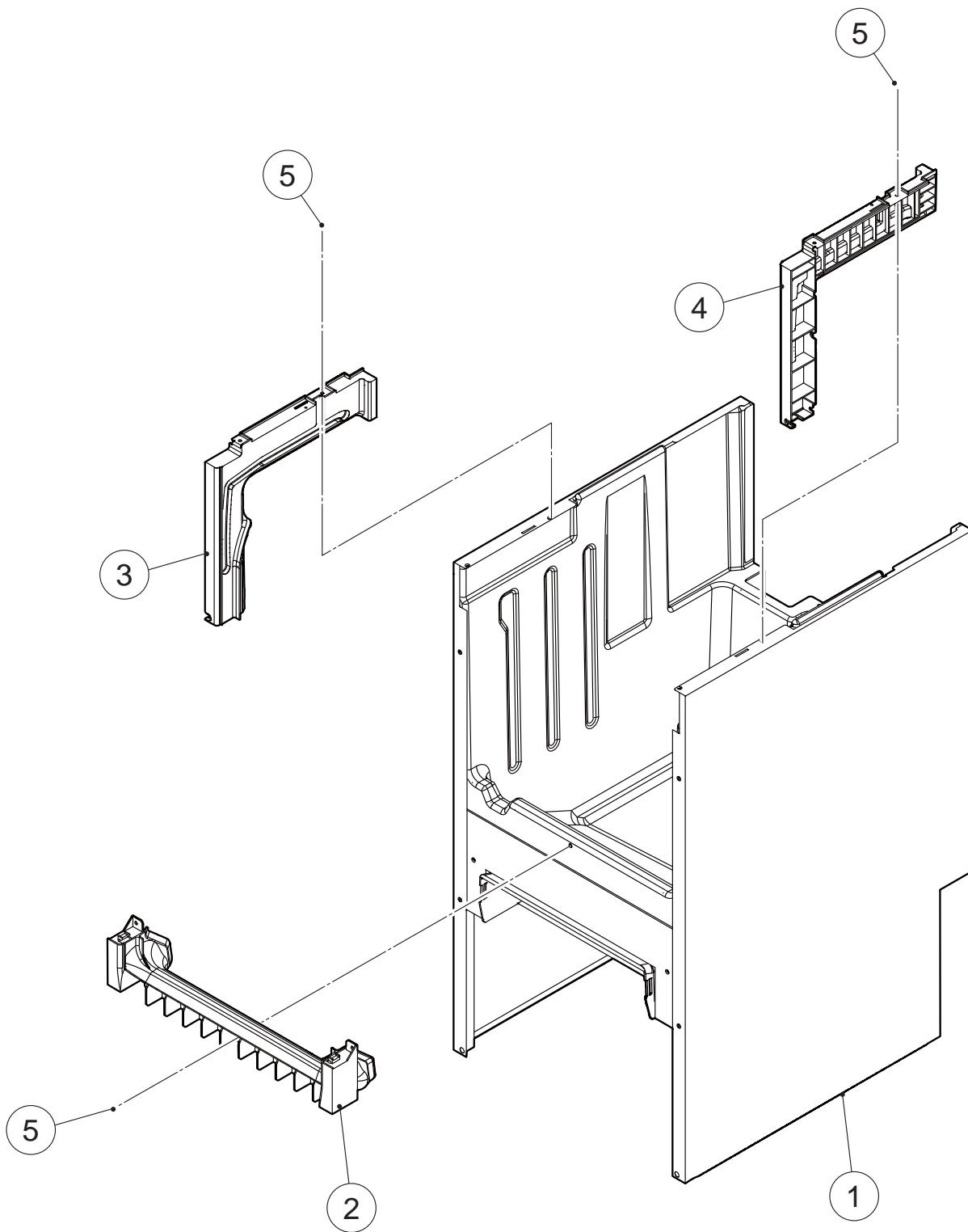


HA

| MODEL: KM-80BAJ | | TITLE: A. ICE CUBER ASSY | | | | | |
|------------------------|-------------------------------|--|-------------|--------------|--|--|--|
| INDEX NO. | DESCRIPTION | MATERIAL OR MODEL NUMBER | PART NUMBER | REQ'D NUMBER | | | |
| | | | | G-1 | | | |
| B | BODY | | 124957A01 | 1 | | | |
| C | ICE MAKING MECHANISM | | 124963A01 | 1 | | | |
| D | MECHANICAL BIN SWITCH | | 371148A01 | 1 | | | |
| E | WATER CIRCUIT ASSY | | 270897A01 | 1 | | | |
| F | REFRIGERATION CIRCUIT | | 124961A01 | 1 | | | |
| G | CONTROL BOX ASSY | | 252005A07 | 1 | | | |
| H | LABEL LOCATION | | 270889A01 | 1 | | | |
| J | ACCESSORIES | | A03347-01 | 1 | | | |
| | | | | | | | |
| 1 | TRUSS HEAD TAPPING SCREW T2 | | FT20412M0 | 2 | | | |
| 2 | GROMMET/PIPE(C) | SANTOPRENE | 470311-01 | 1 | | | |
| 3 | GROMMET/PIPE(B) | SANTOPRENE | 470310-01 | 1 | | | |
| 4 | GROMMET/PIPE(A) | SANTOPRENE | 470309-01 | 1 | | | |
| 5 | T2 TRUSS HEAD SCREW | | FT20408M0 | 8 | | | |
| 6 | T2 TRUSS HEAD SCREW | | FT20410M0 | 4 | | | |
| 7 | AIR GUARD | | 470302-01 | 1 | | | |
| 8 | HEX. TAPPING SCREW W - FLANGE | | P01572-01 | 4 | | | |
| 9 | FRONT PANEL | | 384416G01 | 1 | | | |
| 10 | TRUSS HEAD TAPPING SCREW T2 | | FT20410S0 | 6 | | | |
| 11 | DOOR | Replace together with 4 pieces of No.12 COLLAR | 369051G02 | 1 | | | |
| 12 | COLLAR | | 481481P02 | 4 | | | |
| 13 | BRACE - RAIL | | 482685M01 | 1 | | | |
| 14 | LOUVER | | 117636-01 | 1 | | | |
| 15 | AIR FILTER | | 250728G01 | 1 | | | |
| 16 | COVER - PIPE | | 368305-01 | 1 | | | |
| 17 | T2 TRUSS HEAD SCREW | | FT20408F0 | 6 | | | |
| 18 | REAR COVER | | 368311-01 | 1 | | | |
| 19 | REAR PANEL | | 370654M02 | 1 | | | |
| 20 | POWER SUPPLY CORD | KP-30B SJT#16AWG | P00004-01 | 1 | | | |
| 21 | BUSHING | SR-7K-2 | 420472-02 | 1 | | | |
| 22 | CLAMP | | 427902-02 | 4 | | | |
| 23 | TWIST HOLDER | | P00424-01 | 1 | | | |
| 24 | INSULATION/DRAIN | | 4Y4319Z01 | 1 | | | |
| 25 | SEAL FILM | | 472471P01 | 1 | | | |

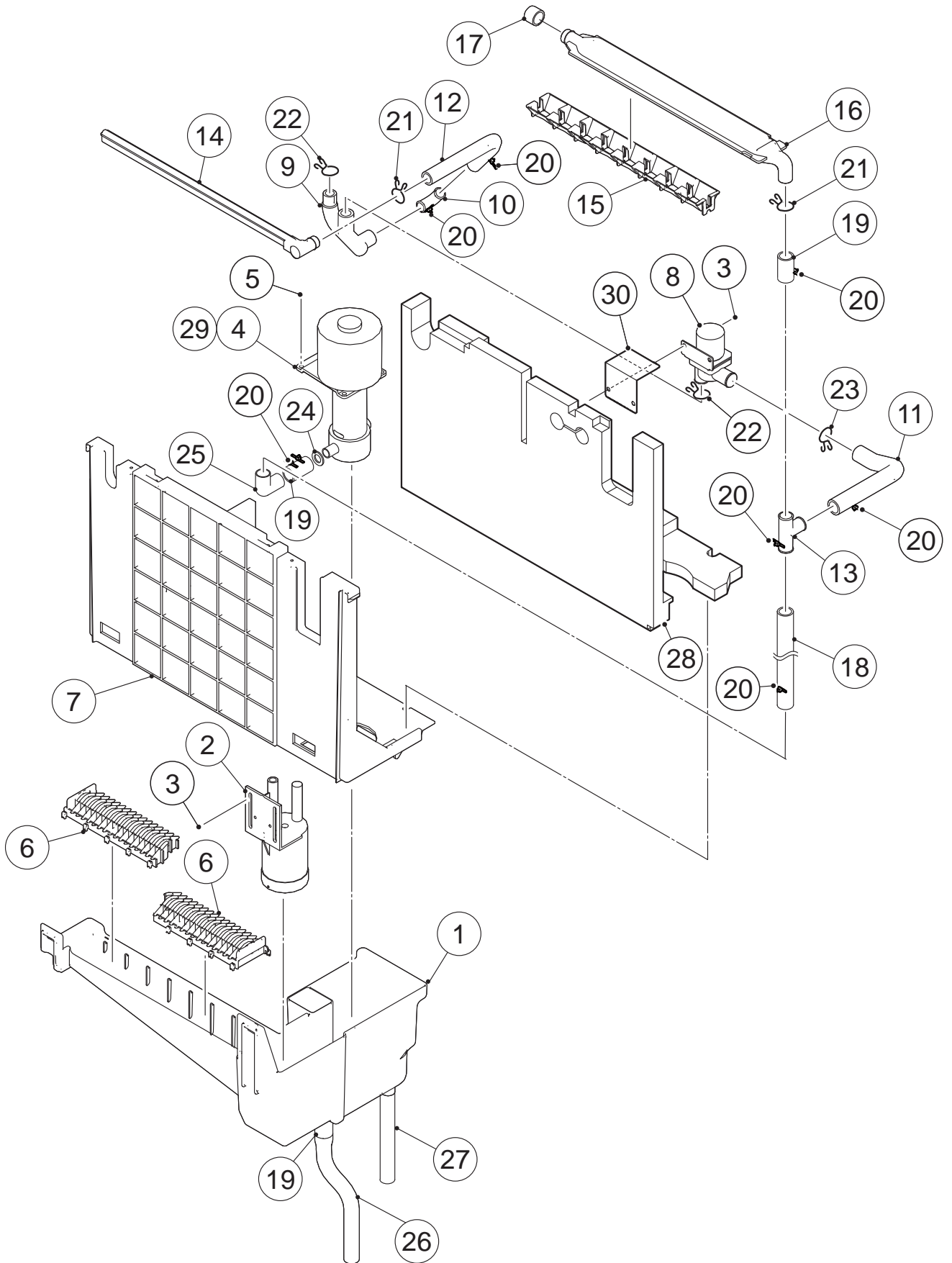
HA

| MODEL: KM-80BAJ | | TITLE: A. ICE CUBER ASSY | | | | | |
|------------------------|------------------|---------------------------------|-------------|--------------|--|--|--|
| INDEX NO. | DESCRIPTION | MATERIAL OR MODEL NUMBER | PART NUMBER | REQ'D NUMBER | | | |
| | | | | G-1 | | | |
| 26 | GUIDE-DRAIN | | 4Y0191-01 | 2 | | | |
| 27 | TRUSS HEAD SCREW | | FST0408S0 | 2 | | | |
| 28 | SPRING WASHER | | FWSP04S0 | 2 | | | |
| 29 | TOP PANEL ASSY | | 380577A08 | 1 | | | |
| | | | | | | | |



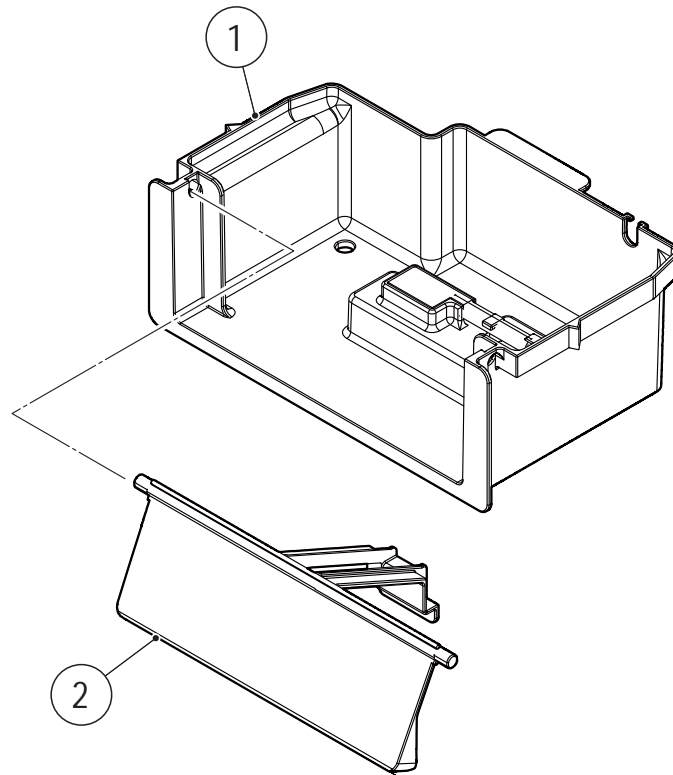
HA

| MODEL: KM-80BAJ TITLE: B. BODY | | | | | | | |
|--|-----------------------------|--------------------------|-------------|--------------|--|--|--|
| INDEX NO. | DESCRIPTION | MATERIAL OR MODEL NUMBER | PART NUMBER | REQ'D NUMBER | | | |
| | | | | G-1 | | | |
| 1 | BODY ASSY | | 124958G01 | 1 | | | |
| 2 | FRONT FRAME | | 250744-01 | 1 | | | |
| 3 | RAIL (L) | | 124933P01 | 1 | | | |
| 4 | RAIL (R) | | 124932P01 | 1 | | | |
| 5 | TRUSS HEAD TAPPING SCREW T2 | | FT20410S0 | 3 | | | |
| | | | | | | | |



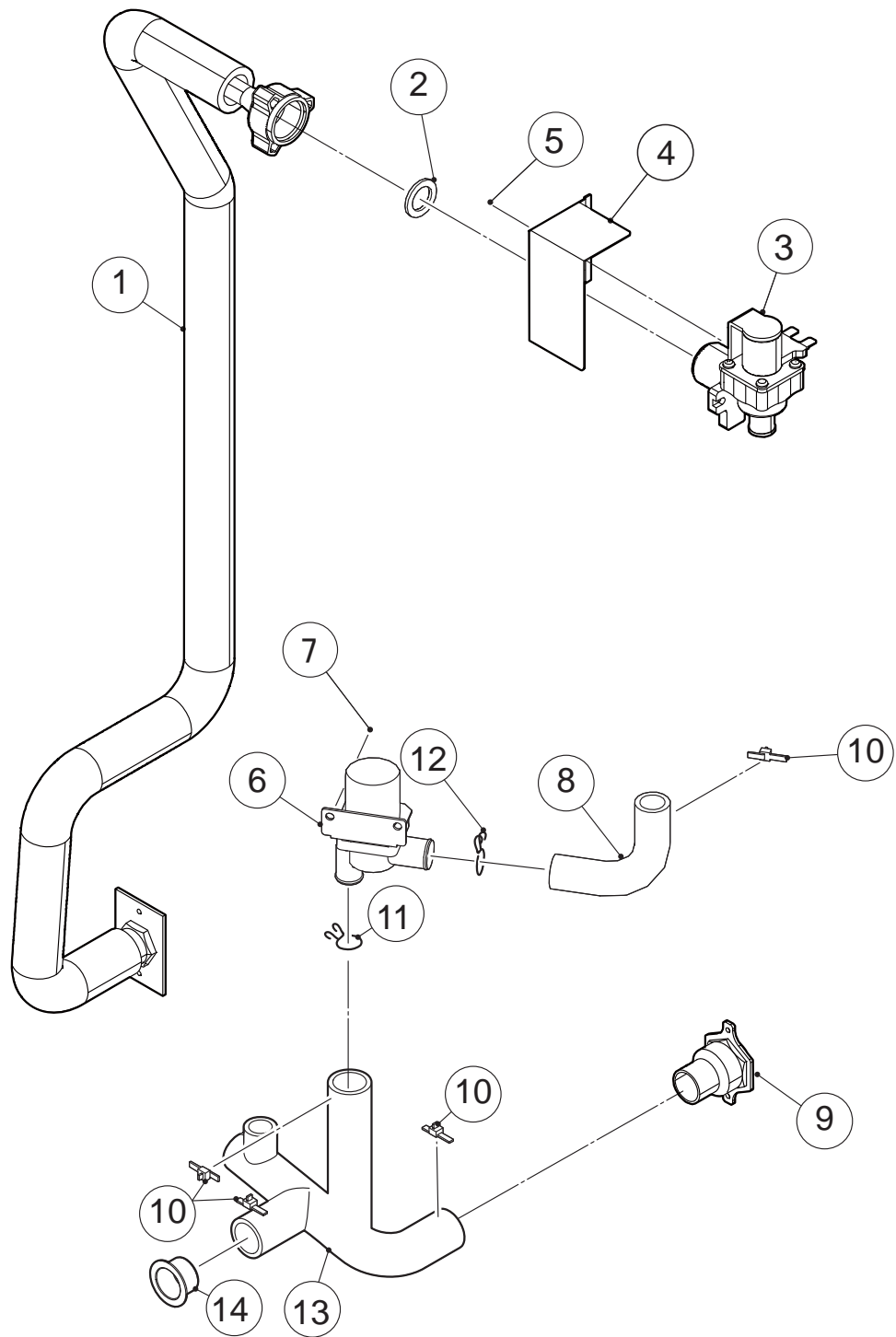
HA

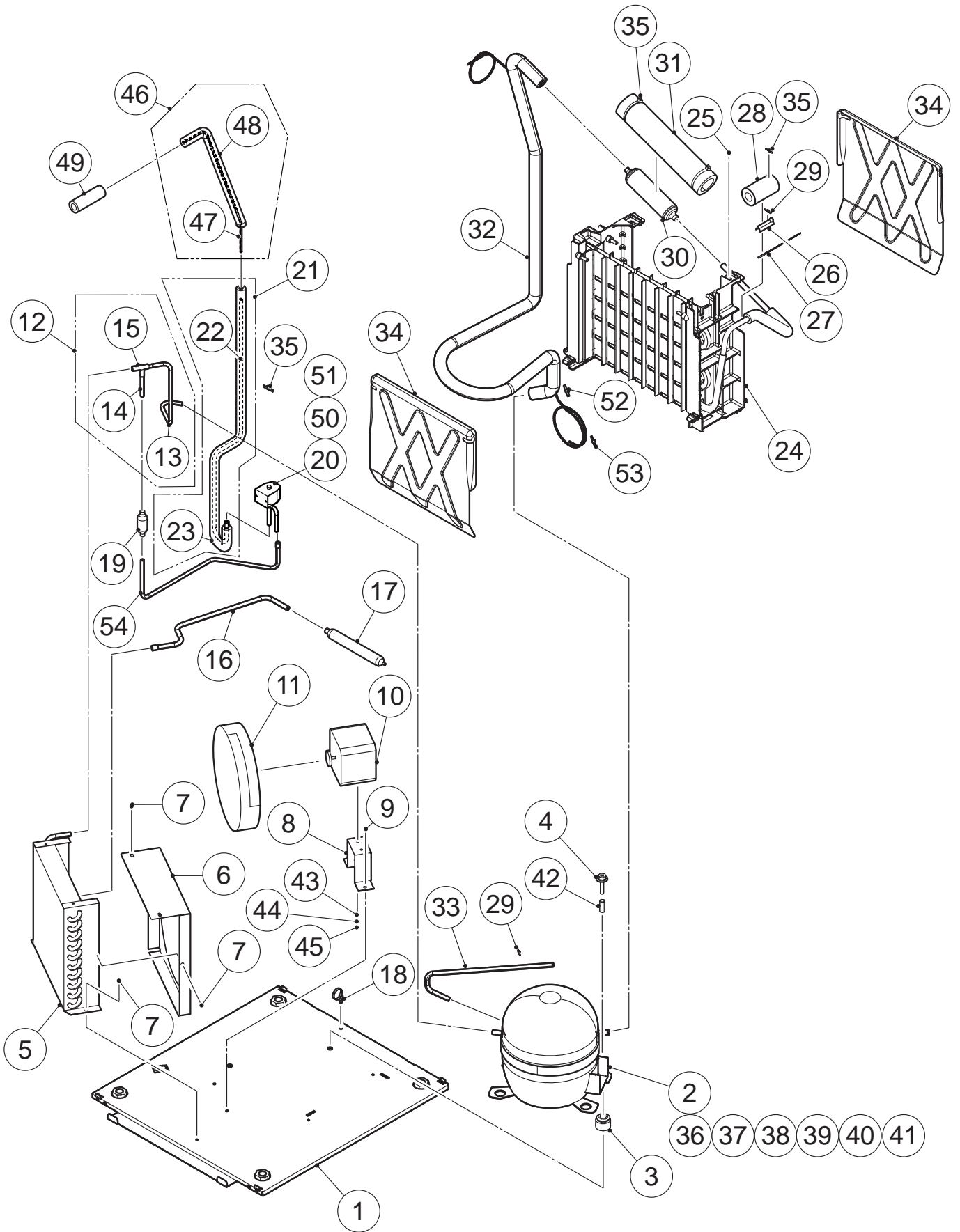
| MODEL: KM-80BAJ | | TITLE: C. ICE MAKING MECHANISM | | | | | |
|------------------------|------------------------|---------------------------------------|-------------|--------------|--|--|--|
| INDEX NO. | DESCRIPTION | MATERIAL OR MODEL NUMBER | PART NUMBER | REQ'D NUMBER | | | |
| | | | | | | | |
| 1 | WATER TANK | | 117637-01 | 1 | | | |
| 2 | FLOAT SWITCH | | 4A3624-04 | 1 | | | |
| 3 | T2 TRUSS HEAD SCREW | | FT20410M0 | 2 | | | |
| 4 | PUMP MOTOR (G) | | 384354G01 | 1 | | | |
| 5 | T2 TRUSS HEAD SCREW | | FT20416M0 | 1 | | | |
| 6 | CUBE GUIDE (A) | | 250742-01 | 2 | | | |
| 7 | BRACKET/ICE MAKING | | 117630-01 | 1 | | | |
| 8 | CLEANING VALVE (G) | | 384353G01 | 1 | | | |
| 9 | WATER SUPPLY PIPE (A) | | 384395R01 | 1 | | | |
| 10 | ELBOW | | 470303-01 | 1 | | | |
| 11 | BYPASS HOSE | | 374229R01 | 1 | | | |
| 12 | WATER SUPPLY HOSE (B) | | 374228R01 | 1 | | | |
| 13 | TEE | | 470312-01 | 1 | | | |
| 14 | WATER SUPPLY TUBE | | 250743-02 | 1 | | | |
| 15 | SPRAY GUIDE | | 252052P02 | 1 | | | |
| 16 | SPRAY TUBE | | 250746-02 | 1 | | | |
| 17 | SPRAY TUBE CAP | | 370777R01 | 1 | | | |
| 18 | SI HOSE | | H11418280 | 1 | | | |
| 19 | SI HOSE | | H11418030 | 3 | | | |
| 20 | TIE | CV-100 | 7920-0002 | 9 | | | |
| 21 | HOSE CLAMP | 16.5mm SUS | P02909-04 | 2 | | | |
| 22 | HOSE CLAMP | 18mm SUS | P02909-05 | 2 | | | |
| 23 | HOSE CLAMP | 20mm SUS | P02909-06 | 1 | | | |
| 24 | ORIFICE | | 4Y4194P01 | 1 | | | |
| 25 | ELBOW | | 417703-01 | 1 | | | |
| 26 | PIPE-OVERFLOW | | 369038P01 | 1 | | | |
| 27 | SI HOSE | L=150 14 DIA x 18 DIA (CLEAR) | H11418150 | 1 | | | |
| 28 | INSULATION - MECHANISM | | 256825P01 | 1 | | | |
| 29 | BAG | | 4X1559-01 | 1 | | | |
| 30 | COVER-DRAIN | | 482837M01 | 1 | | | |
| | | | | | | | |



HA

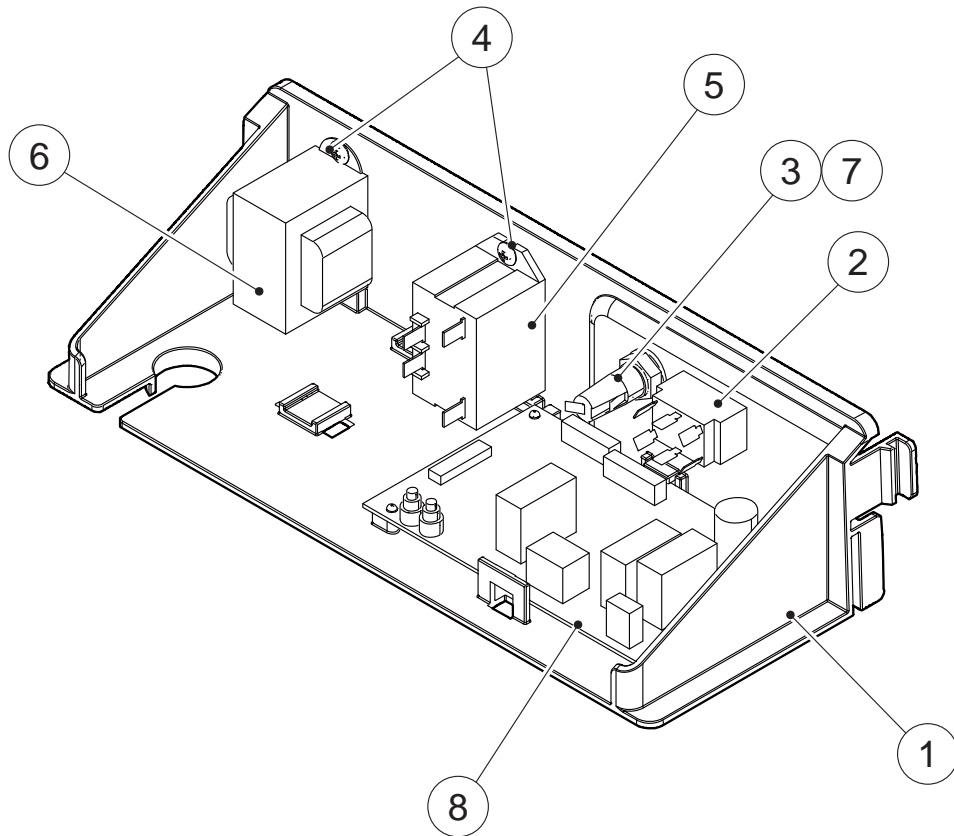
| MODEL: KM-80BAJ | | TITLE: D. MECHANICAL BIN SWITCH | | | | | |
|------------------------|------------------------|--|-------------|--------------|--|--|--|
| INDEX NO. | DESCRIPTION | MATERIAL OR MODEL NUMBER | PART NUMBER | REQ'D NUMBER | | | |
| | | | | G-1 | | | |
| 1 | MECHANICAL SWITCH CASE | | 371149G01 | 1 | | | |
| 2 | DETECTOR | | 371150G01 | 1 | | | |
| | | | | | | | |





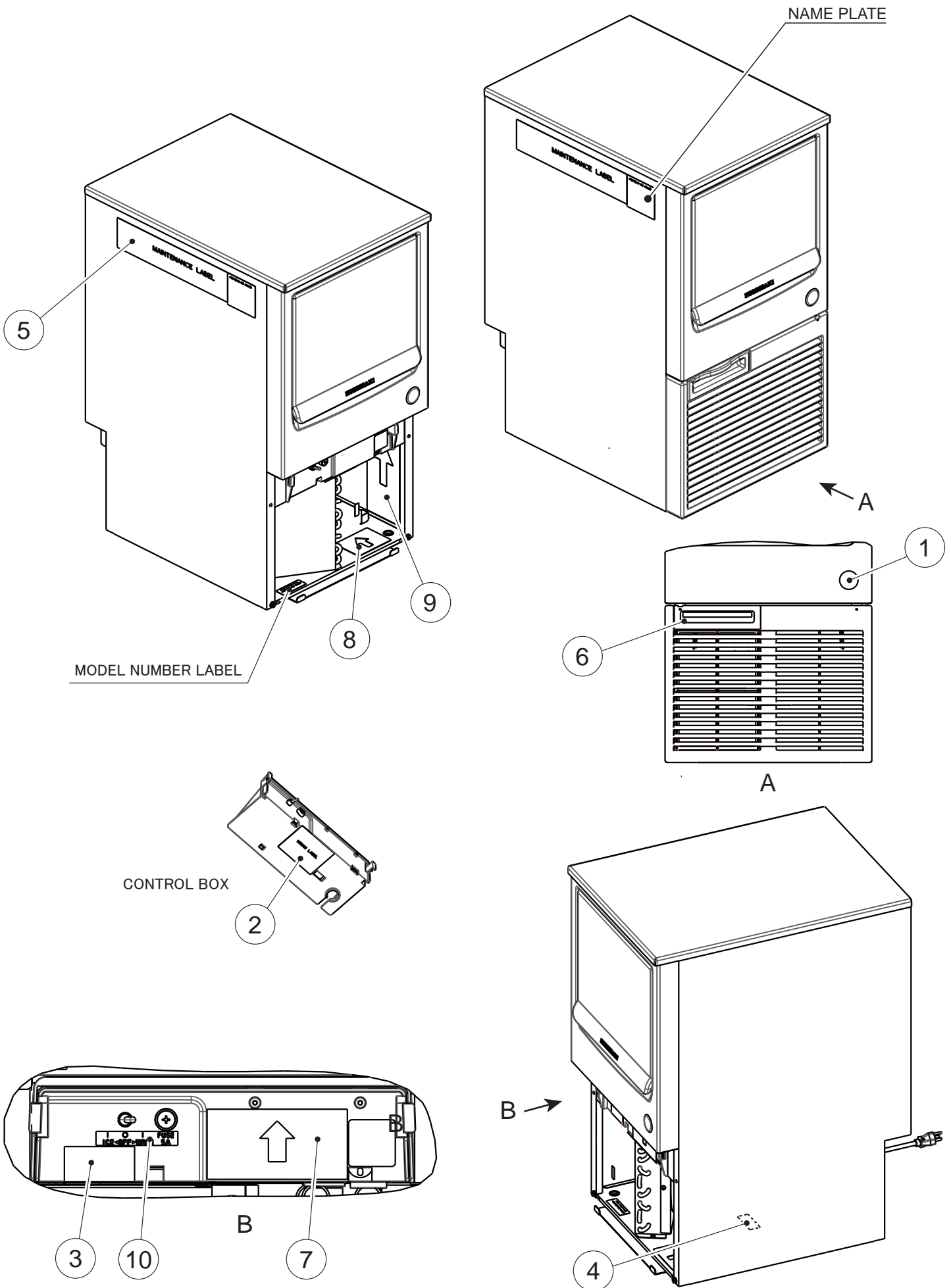
HA

| MODEL: KM-80BAJ | | TITLE: F. REFRIGERATION CIRCUIT | | | | | |
|------------------------|--|--|-------------|--------------|--|--|--|
| INDEX NO. | DESCRIPTION | MATERIAL OR MODEL NUMBER | PART NUMBER | REQ'D NUMBER | | | |
| | | | | | | | |
| 1 | BASE | | 370282G01 | 1 | | | |
| 2 | COMPRESSOR | QA51K13GAU6-E0GS | P00023-01 | 1 | | | |
| 3 | RUBBER GROMMET | 01-245970 | 463983-01 | 4 | | | |
| 4 | BOLT | 8x35 | 436206-03 | 2 | | | |
| 5 | CONDENSER-AIR COOLED | | P00003-01 | 1 | | | |
| 6 | SHROUD | | 368317-01 | 1 | | | |
| 7 | T2 TRUSS HEAD SCREW | | FT20408F0 | 5 | | | |
| 8 | BRACKET/FM | | 470291-01 | 1 | | | |
| 9 | HEX HEAD BOLT (SPRING WASHER AND FLAT WASHER) | | FBK0512S0 | 2 | | | |
| 10 | FAN MOTOR (G) | | 384355G01 | 1 | | | |
| 11 | FAN BLADE | 200 DIA (22°) | P00006-01 | 1 | | | |
| 12 | COPPER TUBE/HI (A) | | 370324G01 | 1 | | | |
| 13 | COPPER TUBE (A)/HI | | 370327M01 | 1 | | | |
| 14 | COPPER TUBE/H-2 | | 470300-01 | 1 | | | |
| 15 | TEE | | 420041-03 | 1 | | | |
| 16 | COPPER TUBE (D)/HIGH SIDE | | 471940M01 | 1 | | | |
| 17 | DRIER | | P00007-01 | 1 | | | |
| 18 | PUSH MOUNT TIE | T30RSF | 436156-01 | 1 | | | |
| 19 | STRAINER | | P00008-01 | 1 | | | |
| 20 | VALVE BODY | | 4A3275-01 | 1 | | | |
| 21 | COPPER TUBE - HOT GAS | | 370325G01 | 1 | | | |
| 22 | COPPER TUBE (A) - HOT GAS | | 370325M01 | 1 | | | |
| 23 | INSULATION TUBE | | H71020600 | 1 | | | |
| 24 | EVAPORATOR ASSY | | 270898G01 | 1 | | | |
| 25 | TRUSS HEAD TAPPING SCREW T2 | | FT20412M0 | 2 | | | |
| 26 | HOLDER-THERMISTOR | | 436455-01 | 1 | | | |
| 27 | THERMISTOR | NBFC-36-H60-1 | P00027-01 | 1 | | | |
| 28 | INSULATION-THERMISTOR | | 471010Z01 | 1 | | | |
| 29 | TIE | CV-100 | 7920-0002 | 4 | | | |
| 30 | ACCUMULATOR | | P00010-01 | 1 | | | |
| 31 | ACCUMULATOR COVER | | 369039Z01 | 1 | | | |
| 32 | HEAT EXCHANGER | | 259014G01 | 1 | | | |
| 33 | COPPER TUBE - PROCESS (A) | | 471008M01 | 1 | | | |



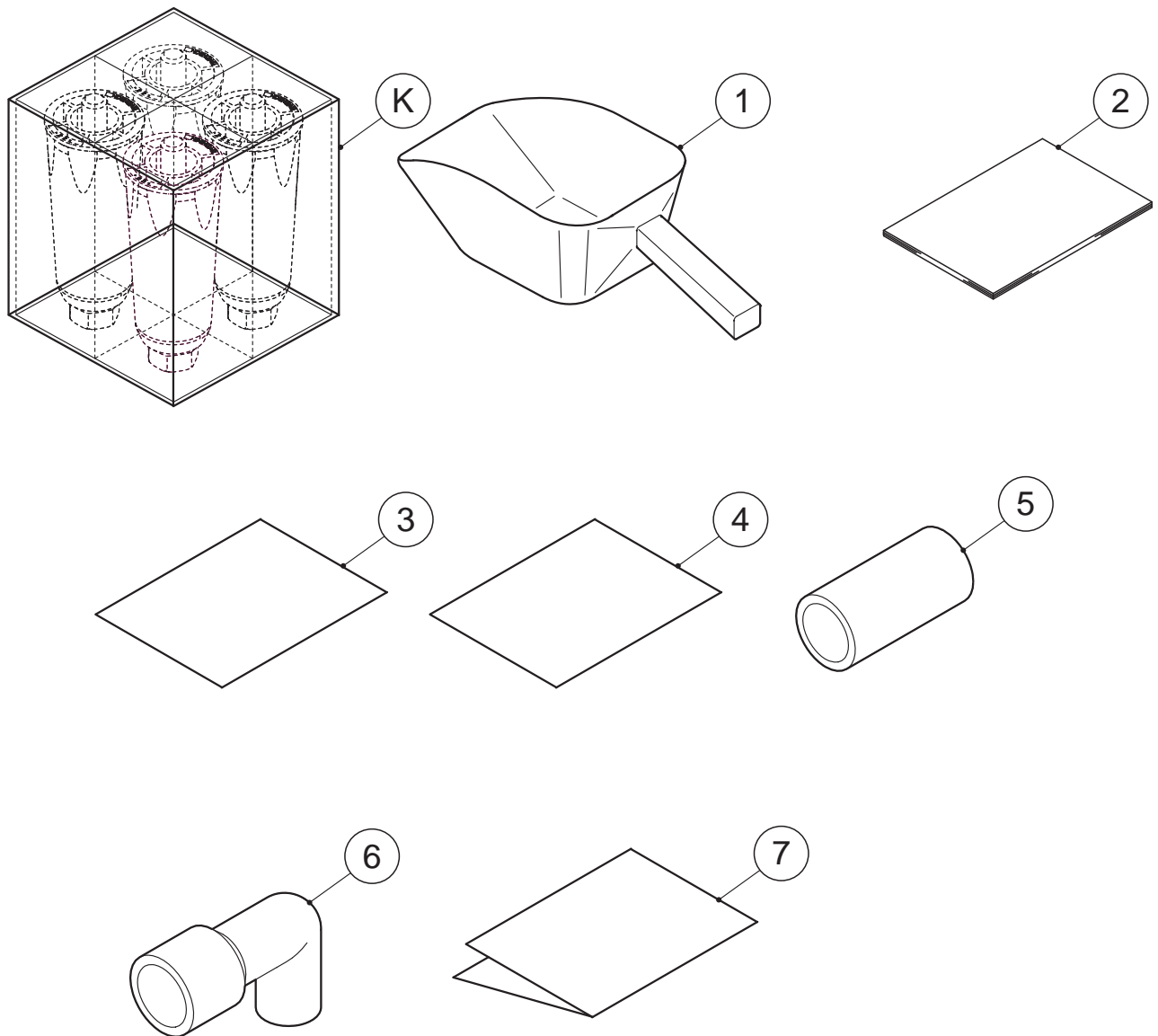
HA

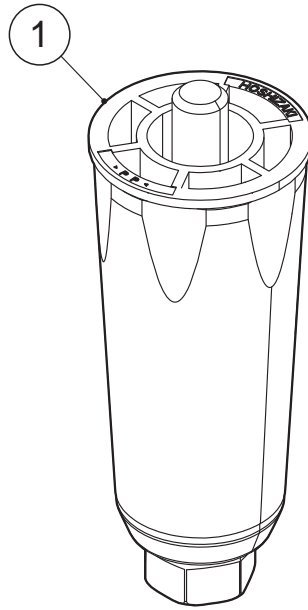
| MODEL: KM-80BAJ | | TITLE: G. CONTROL BOX ASSY | | | | | |
|------------------------|---------------------|-----------------------------------|-------------|--------------|--|--|--|
| INDEX NO. | DESCRIPTION | MATERIAL OR MODEL NUMBER | PART NUMBER | REQ'D NUMBER | | | |
| | | | | G-1 | | | |
| 1 | CONTROL BOX | | 117624-01 | 1 | | | |
| 2 | TOGGLE SWITCH | KND-203 | P00033-01 | 1 | | | |
| 3 | FUSE HOLDER | BF115 | P00014-01 | 1 | | | |
| 4 | T2 TRUSS HEAD SCREW | | FT20408M0 | 2 | | | |
| 5 | POWER RELAY | G7L-1A-TUB | 449000-01 | 1 | | | |
| 6 | TRANSFORMER | | 3A4395-01 | 1 | | | |
| 7 | FUSE | | P01143-01 | 1 | | | |
| 8 | CONTROLLER BOARD | HKM2006V003 | P01771-02 | 1 | | | |
| | | | | | | | |



HA

| MODEL: KM-80BAJ | | TITLE: H. LABEL LOCATION | | | | | |
|------------------------|-------------------------|---------------------------------|-------------|--------------|--|--|--|
| INDEX NO. | DESCRIPTION | MATERIAL OR MODEL NUMBER | PART NUMBER | REQ'D NUMBER | | | |
| | | | | G-1 | | | |
| 1 | LABEL - PENGUIN | | 468184-01 | 1 | | | |
| 2 | WIRING LABEL | | 384238L01 | 1 | | | |
| 3 | CAUTION LABEL | | 464507-01 | 1 | | | |
| 4 | LABEL - R134A | | 444463-01 | 1 | | | |
| 5 | MAINTENANCE LABEL | | 384500L01 | 1 | | | |
| 6 | LABEL - AIR FILTER | | 426177-01 | 1 | | | |
| 7 | CAUTION LABEL - SERVICE | | 370640L01 | 1 | | | |
| 8 | LABEL - ALARM | | 370310L01 | 1 | | | |
| 9 | LABEL - CONTROL BOARD | | 370605L02 | 1 | | | |
| 10 | CONTROL LABEL - FUSE | | 476009L01 | 1 | | | |
| | | | | | | | |





HA

| MODEL: KM-80BAJ | | TITLE: K. LEG SET - UNC | | | | | |
|------------------------|-------------|--------------------------------|-------------|--------------|--|--|--|
| INDEX NO. | DESCRIPTION | MATERIAL OR MODEL NUMBER | PART NUMBER | REQ'D NUMBER | | | |
| | | | | G-1 | | | |
| 1 | LEG - UNC | | 371053G01 | 4 | | | |
| | | | | | | | |