

# KM-61BAH

## SELF-CONTAINED CUBER WITH BUILT-IN STORAGE BIN

Item # \_\_\_\_\_

Project: \_\_\_\_\_

Qty: \_\_\_\_\_

\*AutoCad available on KCL

**KM-61BAH**

3/17/15

Item # 13216

### CUBER DIMENSIONS W x D x H

#### KM-61BAH

17<sup>3/4</sup> x 24<sup>1/4</sup> x 39\*

\* with 6" legs



### KM-61BAH

Air-Cooled  
Shown

- Up to 71 lbs. of ice production per 24 hours
- Up to 38 lbs. of built-in storage capacity
- Individual crescent cube
- Durable stainless steel exterior
- CycleSaver™ Design 
- EverCheck™ alert system 
- Front in, front out airflow
- Stainless steel evaporator
- Slide in door
- Removable air filter
- Power switch accessible without panel removal
- Built-in installation possible
- Drain pump assembly - HS-506 I
- R-134a Refrigerant

\* The KM-61BAH is ENERGY STAR qualified.



ISO9001-ISO14001

### Warranty

Valid in United States, Canada, Puerto Rico, & U.S. Territories. Contact factory for warranty in other countries.

**Three Year** - Parts & Labor on entire machine.

**Five Year** - Parts on compressor and air-cooled condenser coil.

**Five Year** - Parts on evaporator.

**One Year - HS-506 I Drain Pump Assembly** - Parts & Labor.

© HOSHIZAKI AMERICA, INC.

618 Hwy. 74 S., Peachtree City, GA 30269

TEL 1-800-438-6087

FAX 1-800-345-1325

www.hoshizaki.com



# SELF-CONTAINED CUBER WITH BUILT-IN STORAGE BIN

## DIMENSIONS

W x D x H

**KM-61BAH**  
17<sup>3/4</sup> x 24<sup>1/4</sup> x 39\*  
\*with 6" legs

• Air-cooled

## AIR-COOLED

Water Temp ° F.	50°	70°	90°	
Air Temp ° F.	70°	71	65	58
80°	66	57	51	
90°	65	50	44	

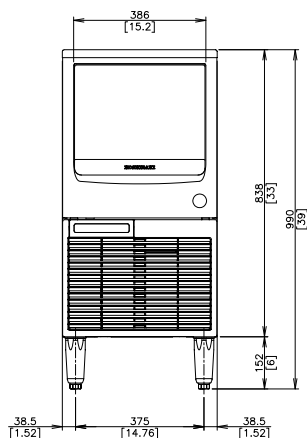
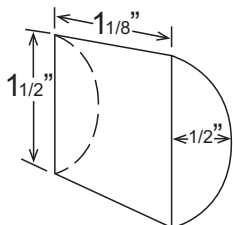
## UTILITY CONSUMPTION

Model Number	Ice Production Per Cycle		KWH per 100 LBS.	Potable Water Gal. per 100 lbs.	Condenser Water Gal. per 100 lbs.
	Lbs.	Cubes			
KM-61BAH	1.7	80	10.6	20.6	N/A

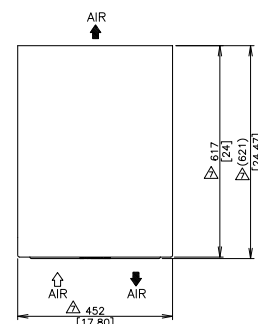
## SPECIFICATIONS

Model Number	Condenser	Amperage	Min. Circuit Ampacity	Shipping Weight
KM-61BAH	Air-Cooled	3.4	15A	117 lbs.

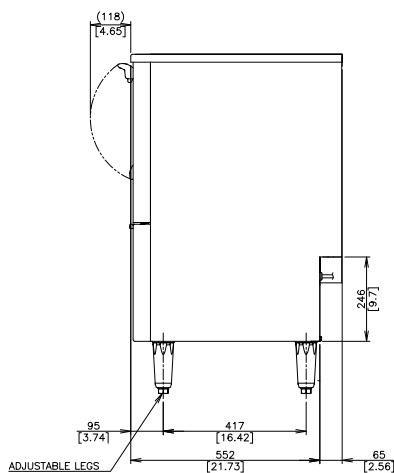
## KM CUBE DIMENSIONS



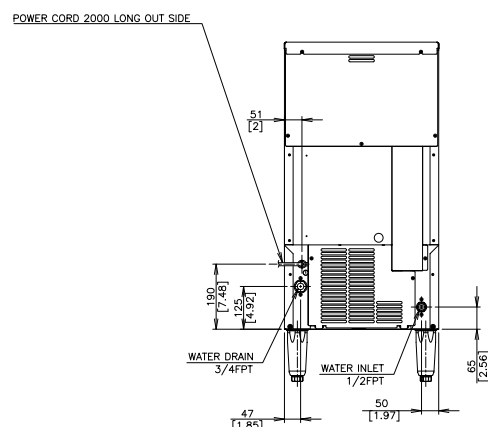
FRONT VIEW



TOP VIEW



SIDE VIEW



BACK VIEW

## ELECTRICAL & PLUMBING/KM-61BAH

- 115V/60/1
- 15 amp Max Fuse/HACR Breaker Size
- Icemaker Water Supply Line: Minimum 1/4" Nominal ID Copper Water Tubing or Equivalent
- Icemaker Drain Line: Minimum 3/4" Nominal ID Hard Pipe or Equivalent

## OPERATING LIMITS

- Ambient Temp Range 45 - 100°F
- Water Temp Range 45 - 90°F
- Water Pressure 10 - 113psig
- Voltage Range 104 - 127V



© HOSHIZAKI AMERICA, INC.

618 Hwy. 74 S., Peachtree City, GA 30269

TEL 1-800-438-6087

FAX 1-800-345-1325

www.hoshizaki.com

Printed in U.S.A.

