

Hoshizaki America, Inc.

Modular Crescent Cuber

Models

KM-50 IMAH

KM-50 IMWH

KM-50 IMRH



"A Superior Degree
of Reliability"

www.hoshizaki.com

PARTS LIST



Number: 71254
Issued: 5-26-2006

CONTENTS

Auxiliary Codes.....	3
Note About Ordering Parts	3
Material Abbreviations	4
A. Ice Cuber Assembly	5
KM-501MAH	5
KM-501MWH.....	7
KM-501MRH	9
B. Refrigeration Circuit.....	11
KM-501MAH.....	11
KM-501MWH.....	15
KM-501MRH	19
C. Water Circuit.....	23
KM-501MAH, KM-501MWH, KM-501MRH	23
D. Control Box Assembly	26
KM-501MAH, KM-501MWH, KM-501MRH	26
E. Label Location	28
KM-501MAH.....	28
KM-501MWH.....	30
KM-501MRH	32
F. Pump Motor Assembly	34
KM-501MAH, KM-501MWH, KM-501MRH	34
G. Control Assembly	35
KM-501MAH, KM-501MWH, KM-501MRH	35
H. Accessories.....	36
KM-501MAH, KM-501MWH, KM-501MRH	36

Auxiliary Codes

KM-501MAH R-1 January 2006

KM-501MWH R-1 January 2006

KM-501MRH R-1 January 2006

Note About Ordering Parts

Most assemblies cannot be ordered as complete units; parts in the assemblies generally must be ordered separately.

Material Abbreviations

ALUMINUM

AL = Aluminum

COPPER

CU = Copper

PLASTIC

ABS = Acrylonitrile -butadiene - styrene
AC = Polyacetal
EVA = Ethylene vinyl acetate
PA = Polyamide = Nylon
PC = Polycarbonate
PE = Polyethylene
PES = Polyester
PETP = Polyethylene terephthalate = Tetlon
PP = Polypropylene
PS = Polystyrene
PTFE = Polytetrafluoroethylene = Teflon
PUR = Polyurethane
PVC = Polyvinyl chloride

RUBBER

VN = Vinyl Nitrile
EPDM = EP rubber
NBR = Nitrile butadiene rubber
NR = Natural rubber
NP = Neoprene
SI.R = Silicone rubber
SY.R = Synthetic rubber
EPH = Epichlorohydrin

STEEL

GS = Galvanized steel
SS = Stainless steel
PS = Plated steel
PAS = Primed steel

AUXILIARY CODE

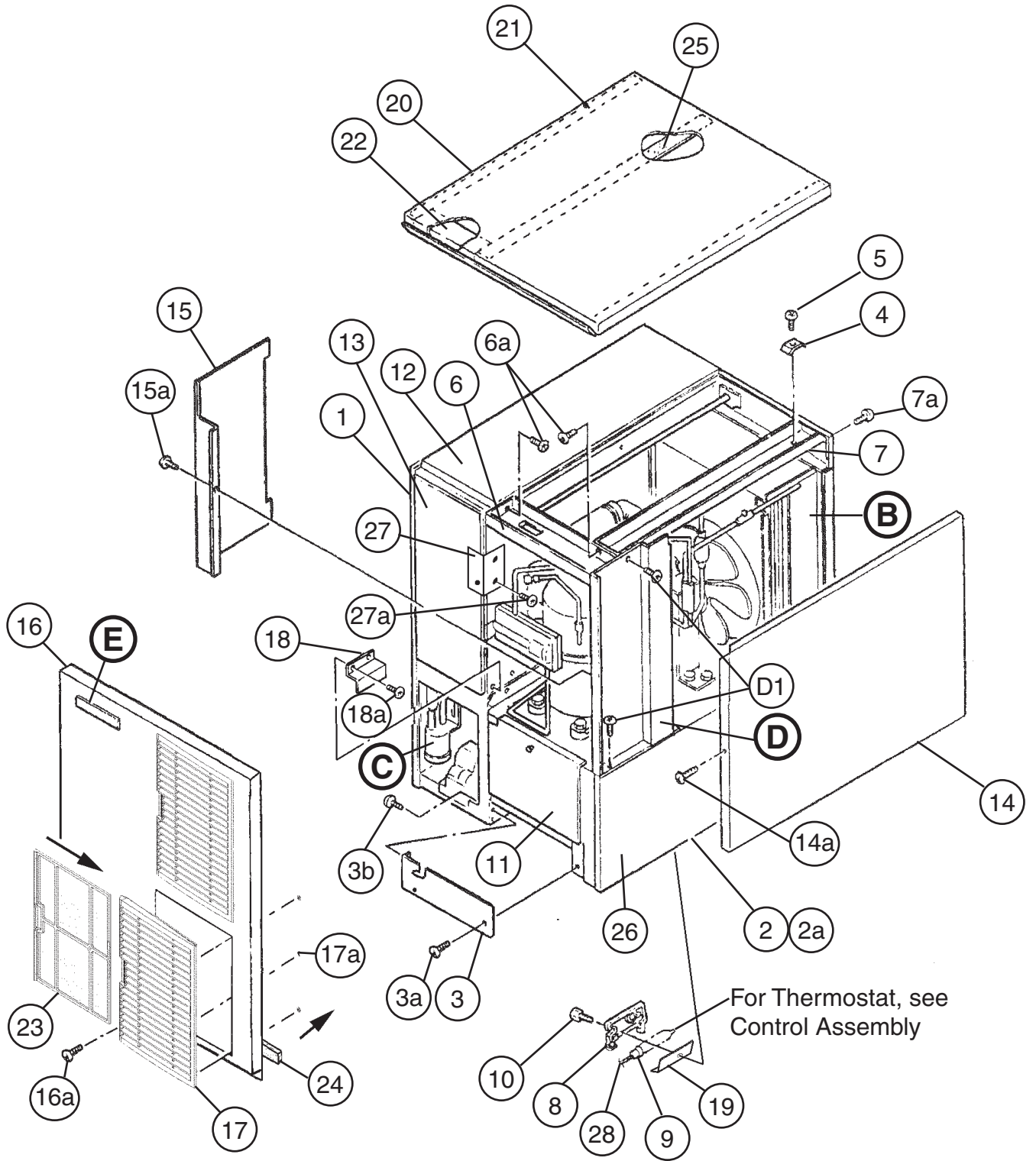
K-0

┌── Designates the year. "K" indicates the year 2000. Years progress or regress in alphabetical order.
│── "J" is 1999, "L" is 2001, "M" is 2002, and so on. The letters "I" and "O" were skipped.
└── Designates significant part changes within the same year for this model. Base is 0 and this number advances for each change.

Example: P-1

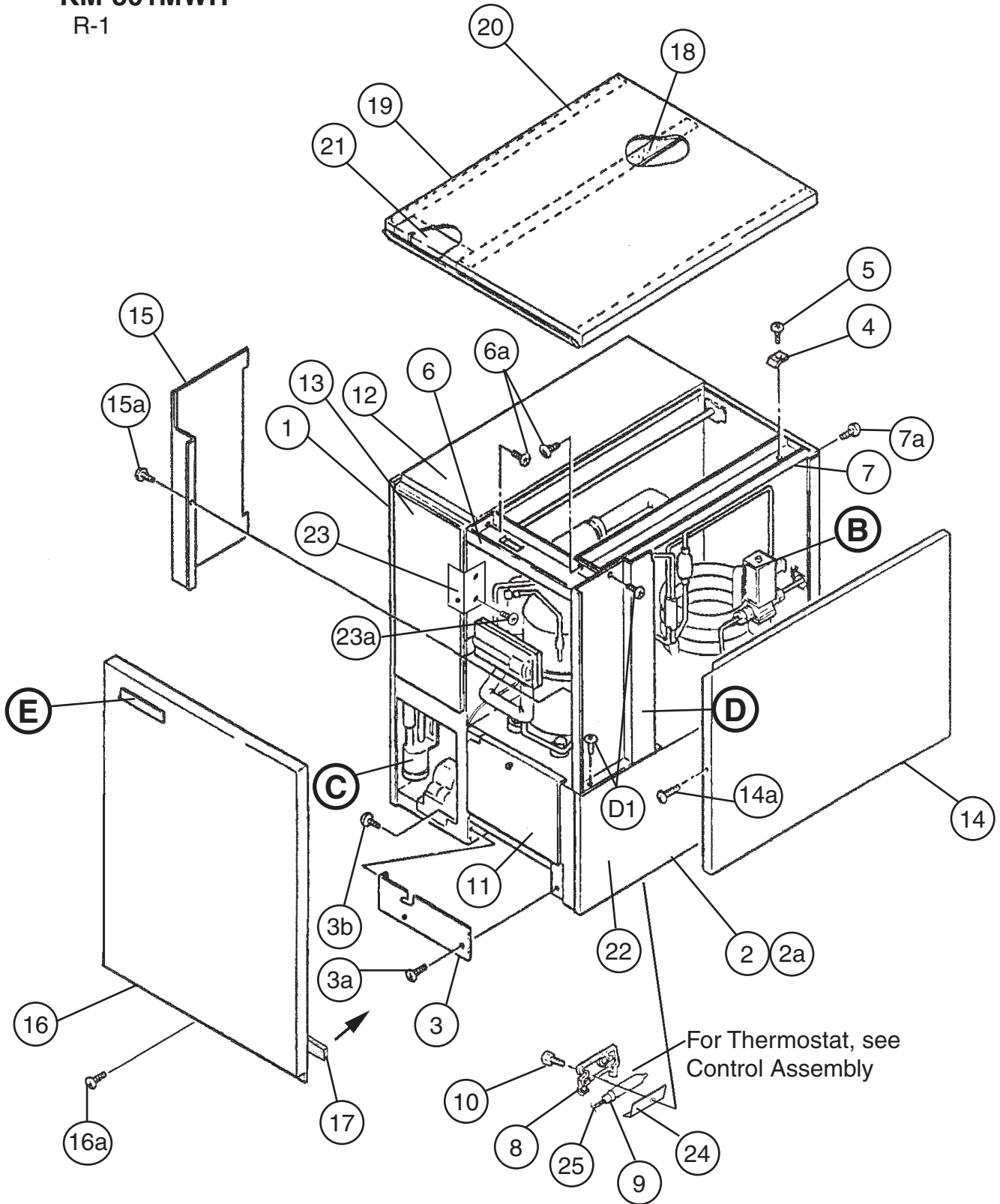
┌── "P" indicates 2004.
└── "1" indicates the first significant part change for 2004.

A. Ice Cuber Assembly
KM-501MAH
 R-1



Title: A. Ice Cuber Assembly Model: KM-501MAH													
Index No.	Description	Material or Model Number	Part Number	Required Number									
				R-1									
B	Refrigeration Circuit	-	1A0420A06	1									
C	Water Circuit	HS-1204	1A0283A05	1									
D	Control Box Assembly	-	2A2538A01	1									
D1	T2 Screw	4x8	7P31-0408	4									
E	Label Location	-	3A3996A01	1									
1	Evap. Case	HS-1010	1A0579G01	1									
2	Base	-	2A2146G06	1									
2a	FT Screw	4x8	7F31-0408	7									
3	Frame	-	3A2503G01	1									
3a	Truss Head Screw	4x8, SS	7C32-0408	1									
3b	Truss Head Screw	4x25, SS	7C32-0425	2									
4	Square Washer	BRASS	433537-02	1									
5	Screw - Grounding	BRASS	433304-02	1									
6	Top Frame	GS	332443-01	1									
6a	T2 Screw	4x8	7P31-0408	4									
7	Side Frame	GS	3A2782-01	1									
7a	T2 Screw	4x8	7P31-0408	2									
8	Bulb Holder	-	328919-01	1									
9	Spacer	-	443545-01	2									
10	Thumbscrew	SS, ABS	415949G10	2									
11	Base Cover	SS	321525G01	1									
12	Top Insulation	PP	215730G01	1									
13	Front Insulation	PP	215731G01	1									
14	Side Panel (R)	SS	2A2117G01	1									
14a	T2 Screw	4x8, SS	7P32-0408	1									
15	Control Box Cover	GS	3A2476-01	1									
15a	T2 Screw	4x8	7P31-0408	1									
16	Front Panel	SS	2A2244G02	1									
16a	Truss Head Screw	SS, 4x8	7C32-0408	1									
17	Louver (A)	ABS	1A0547-01	2									
17a	Push Retainer	-	4A2414-01	6									
18	Barrier	GS	4A0362-01	1									
18a	T2 Screw	4x8	7P31-0408	2									
19	Deflector	-	4A1951-01	1									
20	Top Panel	SS (3A1890A01)	2A2133-01	1									
21	Gasket	PVC (3A1890A01)	427014-04	2									
22	Insulation	PE FOAM (3A1890A01)	438012-01	1									
23	Air Filter (A)	ABS	2A2062G01	2									
24	Gasket	L=554	4A0808L02	1									
25	Gasket (A)	(3A1890A01)	324859-03	1									
26	Side Panel (R) – Base	SS	2A2147-01	1									
27	Barrier - Insulation	GS	4A1167-01	1									
27a	T2 Screw	4x8	7P31-0408	2									
28	Silicone Hose	L = 390	7730I3812	1									

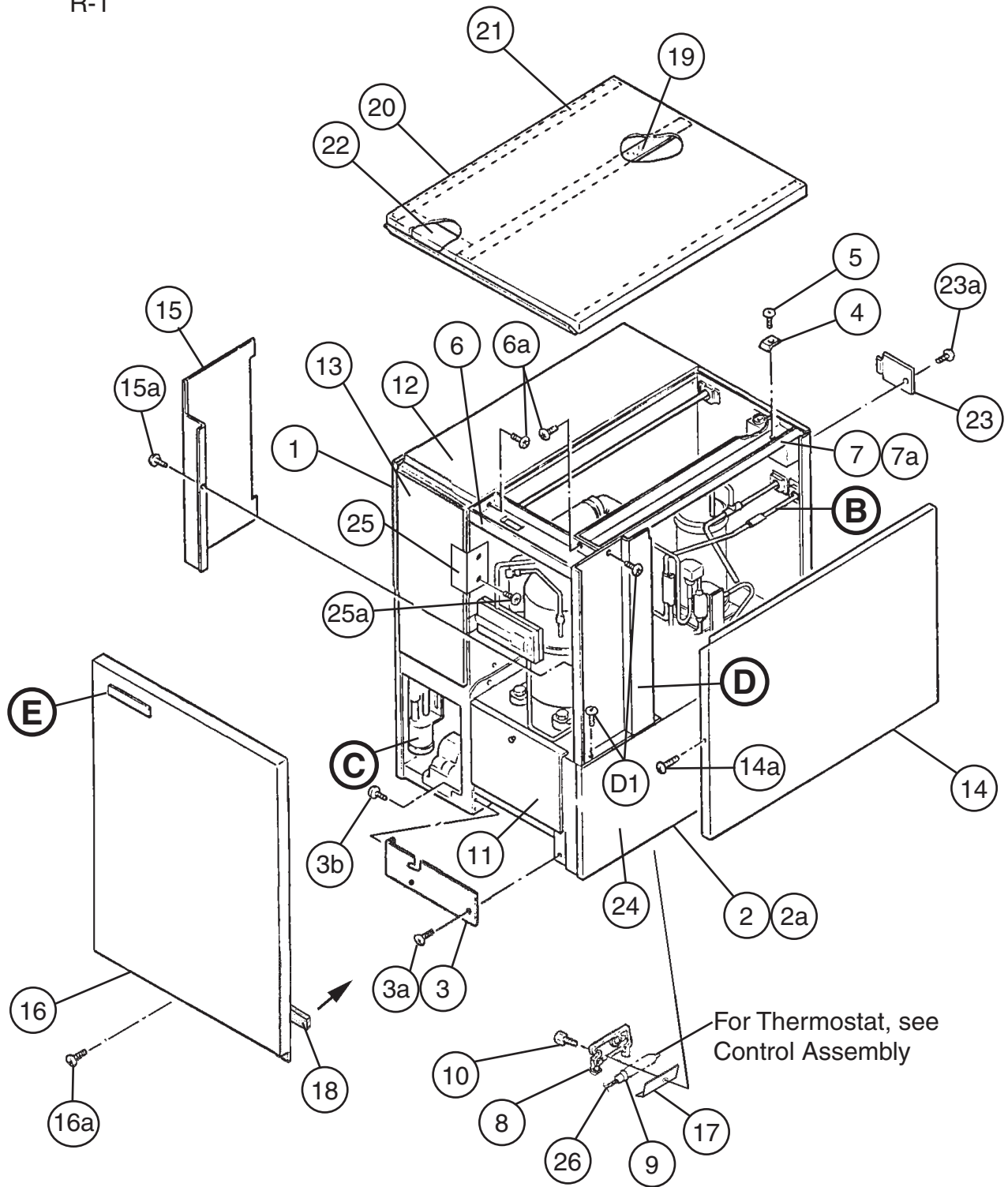
A. Ice Cuber Assembly
KM-501MWH
 R-1



Title: **A. Ice Cuber Assembly** Model: **KM-501MWH**

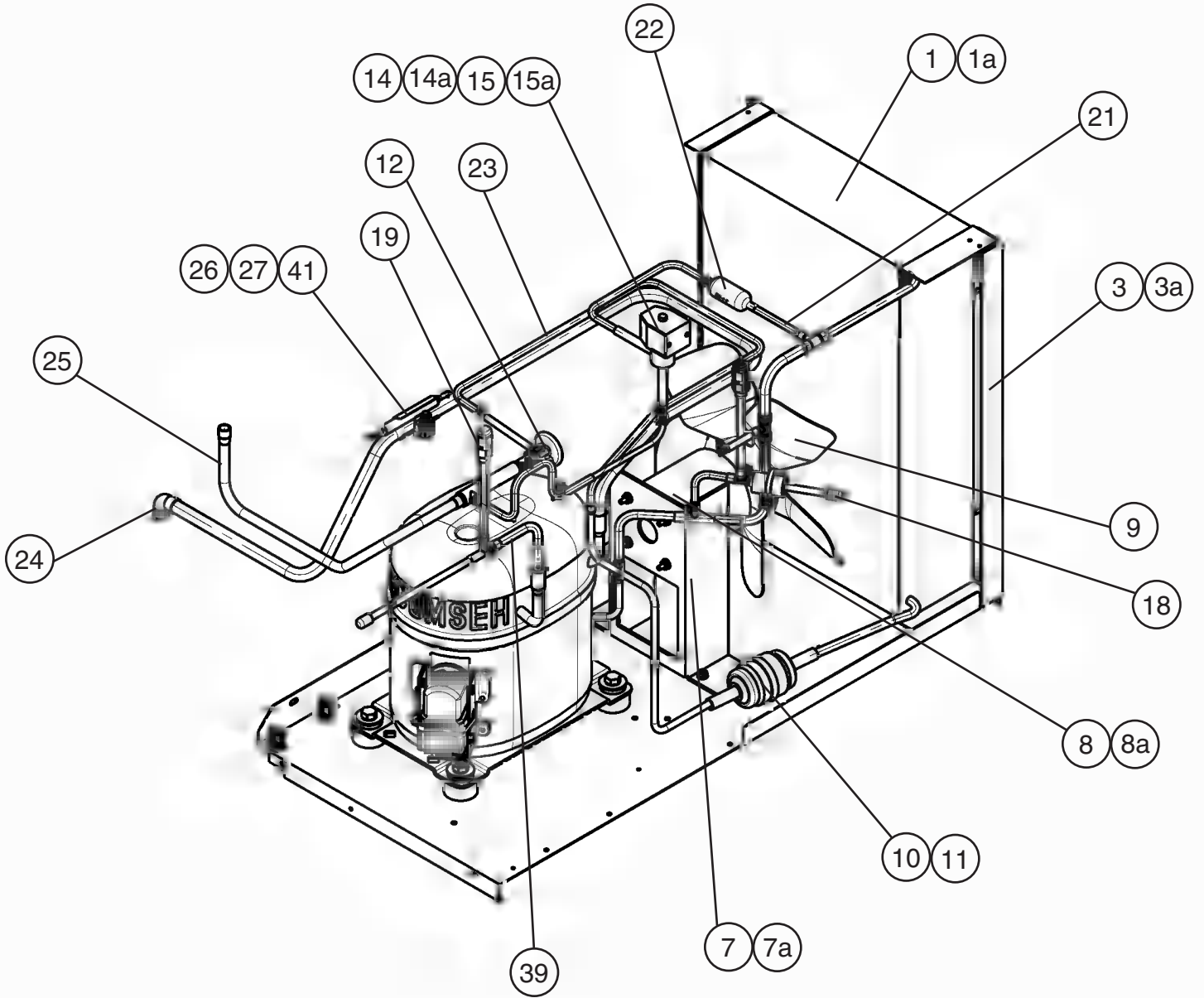
Index No.	Description	Material or Model Number	Part Number	Required Number										
				R-1										
B	Refrigeration Circuit		1A0680A03	1										
C	Water Circuit	HS-1204	1A0283A05	1										
D	Control Box Assembly	-	2A2538A02	1										
D1	T2 Screw	4x8	7P31-0408	4										
E	Label Location	-	3A3997A01	1										
1	Evap. Case	HS-1010	1A0579G01	1										
2	Base	-	2A2146G09	1										
2a	FT Screw	4x8	7F31-0408	7										
3	Frame	-	3A2503G01	1										
3a	Truss Head Screw	4x8, SS	7C32-0408	1										
3b	Truss Head Screw	4x25, SS	7C32-0425	2										
4	Square Washer	BRASS	433537-02	1										
5	Screw - Grounding	BRASS	433304-02	1										
6	Top Frame	GS	332443-01	1										
6a	T2 Screw	4x8	7P31-0408	4										
7	Side Frame	GS	3A2782-01	1										
7a	T2 Screw	4x8	7P31-0408	2										
8	Bulb Holder	-	328919-01	1										
9	Spacer	-	443545-01	2										
10	Thumbscrew	SS, ABS	415949G10	2										
11	Base Cover	SS	321525G01	1										
12	Top Insulation	PP	215730G01	1										
13	Front Insulation	PP	215731G01	1										
14	Side Panel (R)	SS	2A2117G01	1										
14a	T2 Screw	4x8, SS	7P32-0408	1										
15	Control Box Cover	GS	3A2476-01	1										
15a	T2 Screw	4x8	7P31-0408	1										
16	Front Panel	SS	2A2150G01	1										
16a	Truss Head Screw	33, 4x8	7C32-0408	1										
17	Gasket	L=554	4A0808L02	1										
18	Gasket (A)	(3A1890A01)	324859-03	1										
19	Top Panel	SS, (3A1890A01)	2A2133-01	1										
20	Gasket	PVC, (3A1890A01)	427014-04	2										
21	Insulation	PE FOAM, (3A1890A01)	438012-01	1										
22	Side Panel (R) – Base	SS	2A2147-01	1										
23	Barrier – Insulation	GS	4A1167-01	1										
23a	T2 Screw	4x8	7P31-0408	2										
24	Deflector	-	4A1951-01	1										
25	Silicone Hose	L = 390	773013812	1										

A. Ice Cuber Assembly
KM-501MRH
 R-1

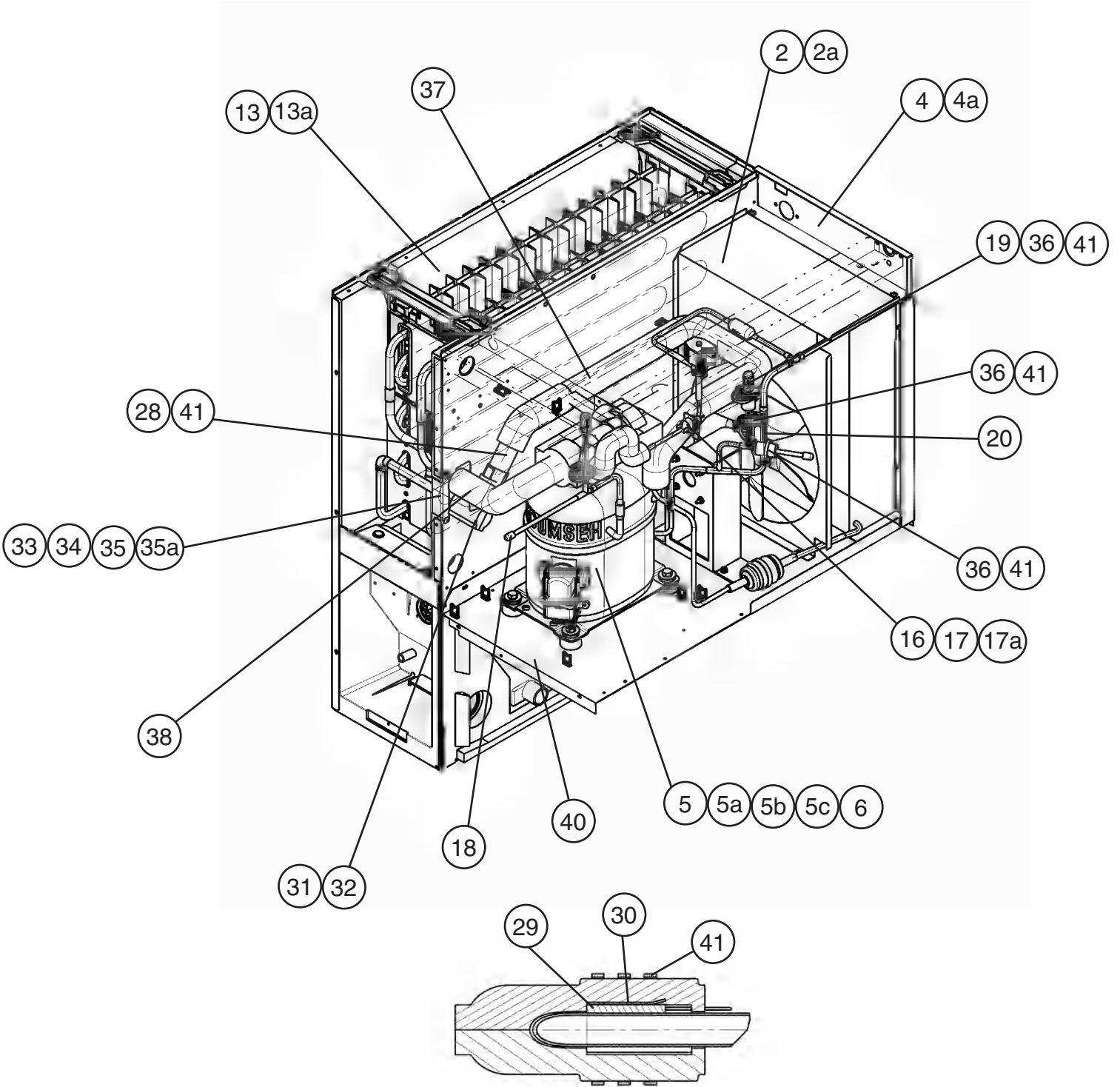


Title: A. Ice Cuber Assembly Model: KM-501MRH												
Index No.	Description	Material or Model Number	Part Number	Required Number								
				R-1								
B	Refrigeration Circuit	-	1A0422A03	1								
C	Water Circuit	HS-1204	1A0283A05	1								
D	Control Box Assembly	-	2A2538A02	1								
D1	T2 Screw	4x8	7P31-0408	4								
E	Label Location	-	3A3998A01	1								
1	Evap. Case	HS-1010	1A0579G01	1								
2	Base	-	2A2146G07	1								
2a	FT Screw	4x8	7F31-0408	7								
3	Frame	-	3A2503G01	1								
3a	Truss Head Screw	4x8, SS	7C32-0408	1								
3b	Truss Head Screw	4x25, SS	7C32-0425	2								
4	Square Washer	BRASS	433537-02	1								
5	Screw - Grounding	BRASS	433304-02	1								
6	Top Frame	GS	332443-01	1								
6a	T2 Screw	4x8	7P31-0408	4								
7	Side Frame	GS	3A2782-01	1								
7a	T2 Screw	4x8	7P31-0408	2								
8	Bulb Holder	-	328919-01	1								
9	Spacer	-	443545-01	2								
10	Thumbscrew	SS, ABS	415949G10	2								
11	Base Cover	SS	321525G01	1								
12	Top Insulation	PP	215730G01	1								
13	Front Insulation	PP	215731G01	1								
14	Side Panel (R)	SS	2A2117G01	1								
14a	T2 Screw	4x8, SS	7P32-0408	1								
15	Control Box Cover	-	3A2476-01	1								
15a	T2 Screw	4x8	7P31-0408	1								
16	Front Panel	SS	2A2150G01	1								
16a	Truss Head Screw	SS, 4x8	7C32-0408	1								
17	Deflector	-	4A1951-01	1								
18	Gasket	L=554	4A0808L02	1								
19	Gasket (A)	(3A1890A01)	324859-03	1								
20	Top Panel	SS, (3A1890A01)	2A2133-01	1								
21	Gasket	PVC, (3A1890A01)	427014-04	2								
22	Insulation	PE FOAM, (3A1890A01)	438012-01	1								
23	Junction Box Cover	GS	433410-01	1								
23a	T2 Screw	4x8	7P31-0408	1								
24	Side Panel (R) – Base	SS	2A2147-01	1								
25	Barrier – Insulation	GS	4A1167-01	1								
25a	T2 Screw	4x8	7P31-0408	2								
26	Silicone Hose	L = 390	7730I3812	1								

B. Refrigeration Circuit
1/2
KM-501MAH
R-1



B. Refrigeration Circuit
2/2
KM-501MAH
R-1

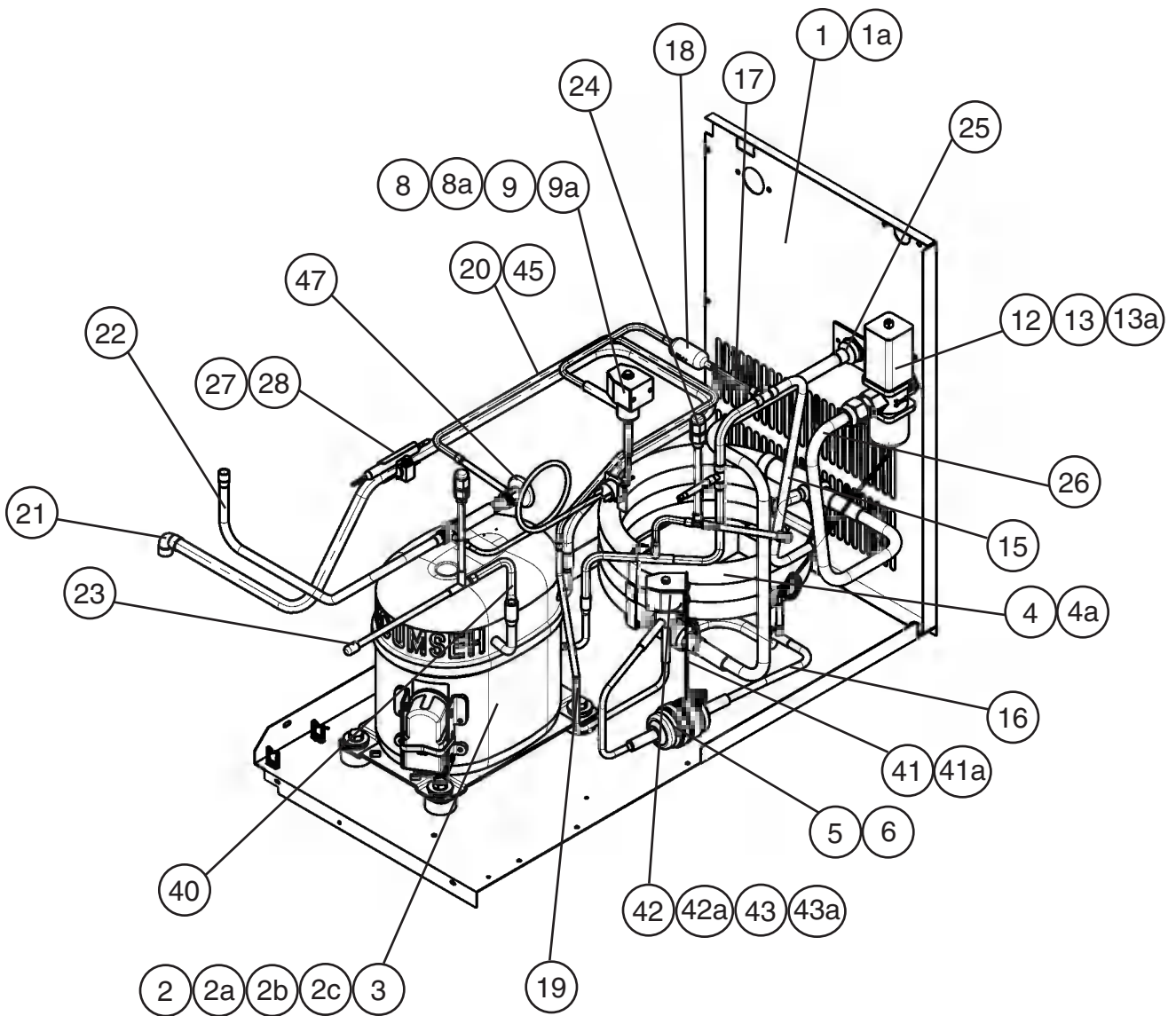


Title: **B. Refrigeration Circuit** Model: **KM-501MAH**

Index No.	Description	Material or Model Number	Part Number	R-1	Required Number								
1	Condenser	-	220491-01	1									
1a	T2 Screw	4x8	7P31-0408	2									
2	Shroud	GS	2A0606-01	1									
2a	T2 Screw	4x8	7P31-0408	2									
3	Barrier	GS	433693-04	1									
3a	T2 Screw	4x8	7P31-0408	2									
4	Rear Panel	GS	3A0562-01	1									
4a	T2 Screw	4x8	7P31-0408	3									
5	Compressor	AKA9455ZxA	4A1820-01	1									
5a	Bolt	8x45	437889-01	4									
5b	Spacer	027-0072-02	434404-01	4									
5c	Grommet	527-0039-04	434403-01	4									
6	Motor Protector	8300MRAK30	4A1875-01	1									
7	Fan Motor Bracket	GS	327179-01	1									
7a	Hex Bolt Assembly (LF)	5x12, SS	7B0130512	4									
8	Fan Motor	U90B1, 7190-1031	4A3158-01	1									
8a	Self-locking Nut	NO. 8-32	7N2110832	4									
9	Fan Blade	AD10CW32	444898-01	1									
10	Drier	C-03E117	4A2666-01	1									
11	Nylon Tie	-	8911-0301	1									
12	Expansion Valve	HFE-10NHD-2	4A1414-01	1									
13	Evaporator	-	106492G01	1									
13a	T2 Screw	4x16, SS	7P32-0416	4									
14	Valve Body - Hot Gas	70	4A3978-01	1									
14a	Bolt	4x6	4A3277F01	1									
15	Coil - Valve		4A3277-01	1									
15a	Truss Head Screw	4x8	7C31-0408	2									
16	Pressure Switch	ACB-1UB09	433441-07	1									
17	Pressure Switch Bracket	GS	434938-01	1									
17a	T2 Screw	4x8	7P31-0408	1									
18	Endcap	-	4A2666F01	2									
19	Access Valve	-	457729-01	2									
20	Copper Tube (A) - High Side	COPPER	2A3851G01	1									
21	Copper Tube (D) - High Side	COPPER	3A4006G01	1									
22	Strainer	(included in 3A4006G01)	441569-01	1									
23	Heat Exchanger	-	2A3447G01	1									
24	Elbow	COPPER	417395-03	1									
25	Copper Tube - Hot Gas	COPPER	2A3435G01	1									
26	Holder / Exp. Valve – 3/8	SS	3A0107-01	1									
27	Clamp	SS	443461-02	1									
28	Expansion Valve Cover	PE FOAM	3A0944-01	1									

Title: B. Refrigeration Circuit Model: KM-501MAH												
Index No.	Description	Material or Model Number	Part Number	Required Number								
				R-1								
29	Thermistor	-	429006-03	1								
30	Holder - Thermistor	COPPER	427430-01	1								
31	Insulation - Thermistor (A)	PE FOAM	439368-01	1								
32	Insulation - Thermistor (B)	PE FOAM	439368-02	1								
33	Rubber Insulation (A)	EPDM	3A1044-01	1								
34	Rubber Insulation (B)	EPDM	3A1045-01	1								
35	Insulation Holder	-	4A1550-01	1								
35a	T2 Screw	4x8, SS	7P32-0408	2								
36	Insulation Tube	L=40	7762-1020	3								
37	Insulation Tube	L=75	7762-1020	1								
38	Insulation Tube	L=220	7762-2040	1								
39	Copper Tube Access Valve	COPPER	3A3999G01	1								
40	Wire Saddle	VWS4238-C	4A0338-02	10								
41	Cable Tie	CV-200 (PLT-2M)	8911-0200	13								

B. Refrigeration Circuit
1/2
KM-501MWH
R-1

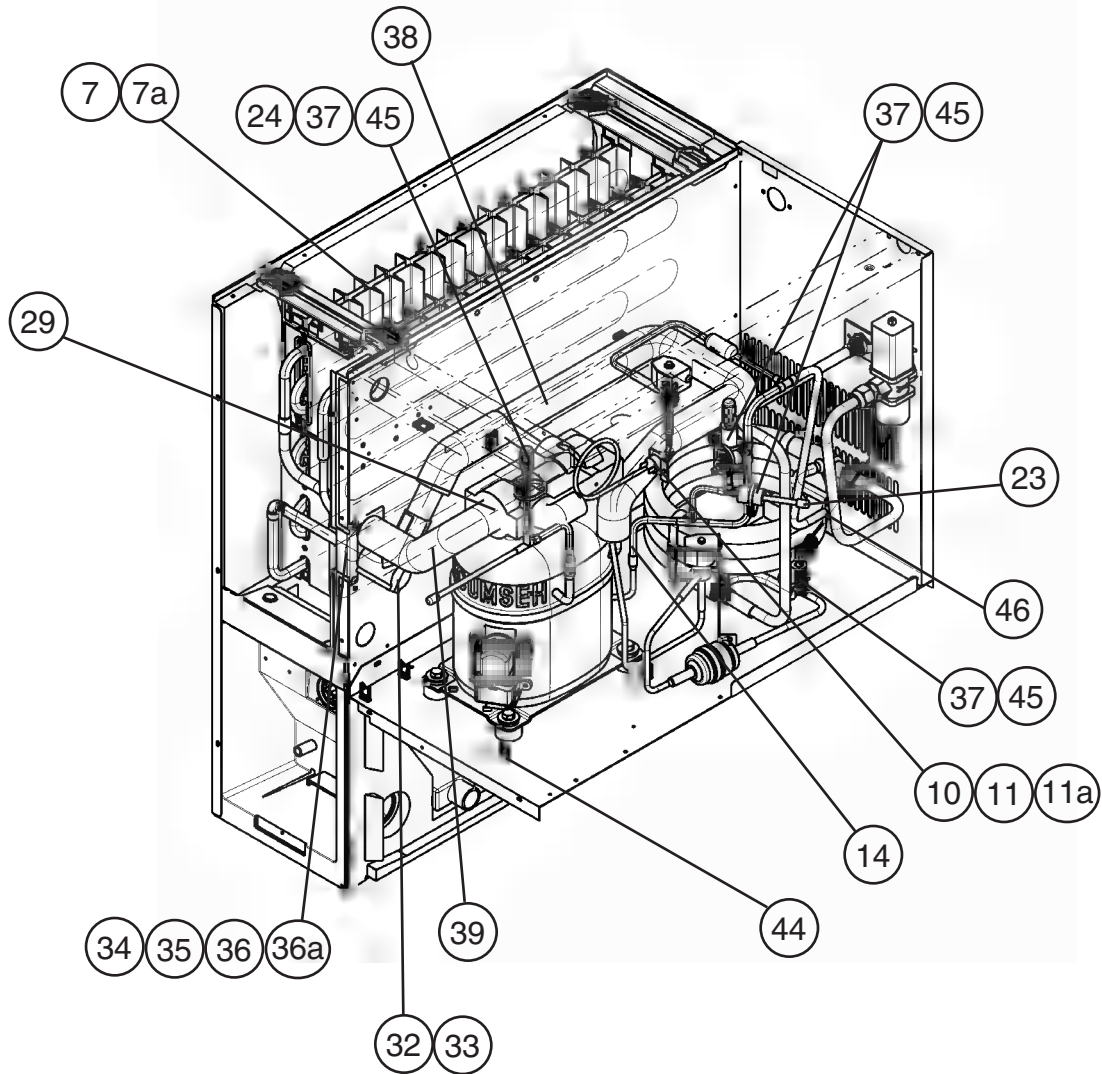


B. Refrigeration Circuit

2/2

KM-501MWH

R-1



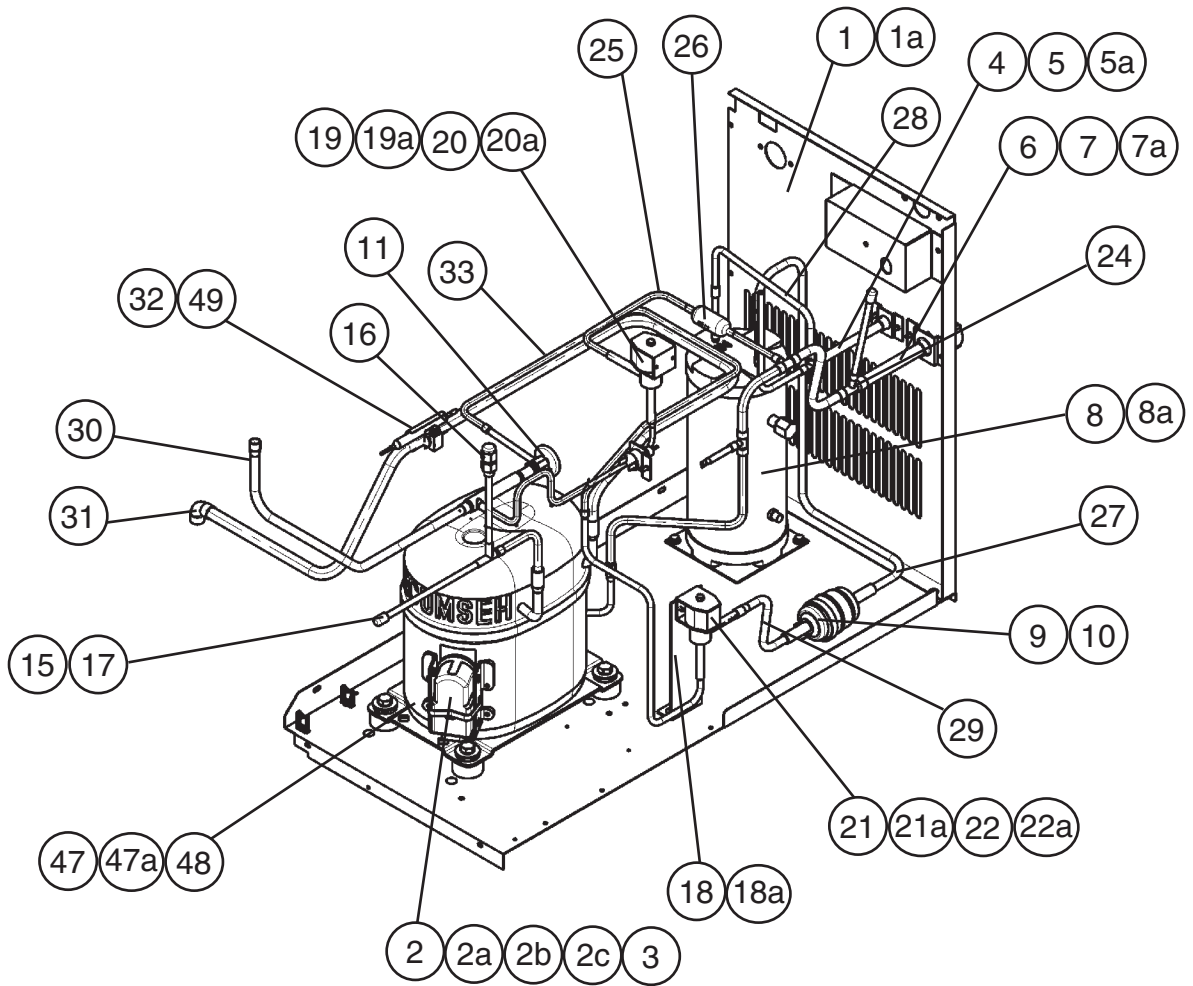
Title: **B. Refrigeration Circuit** Model: **KM-501MWH**

Index No.	Description	Material or Model Number	Part Number	Required Number										
				R-1										
1	Rear Panel	GS	2A1426-01	1										
1a	T2 Screw	4x8	7P31-0408	5										
2	Compressor	AKA9455ZXA	4A1820-01	1										
2a	Bolt	8x45	437889-01	4										
2b	Spacer	027-0072-02	434404-01	4										
2c	Grommet	527-0039-04	434403-01	4										
3	Motor Protector	8300MRAK30	4A1875-01	1										
4	Condenser - Water-Cooled	HS-0160	2A2359G01	1										
4a	Hex Bolt Assembly (LF)	5x10, SS	7B0130510	2										
5	Drier	C-03E 117	4A2666-01	1										
6	Nylon Tie	NYLON	8911-0301	1										
7	Evaporator	-	106492G01	1										
7a	T2 Screw	4x16, SS	7P32-0416	4										
8	Valve Body - Hot Gas	70	4A3978-01	1										
8a	Bolt	-	4A3277F01	1										
9	Coil - Valve	ABS-25-1-HD-2	4A3277-01	1										
9a	Truss Head Screw	4x8	7C31-0408	2										
10	Pressure Switch	ACB-2UB04	433441-05	1										
11	Pressure Switch Bracket	GS	434938-01	1										
11a	T2 Screw	4x8	7P31-0408	1										
12	Male Connector	-	4A1087-01	1										
13	Water Regulator	V46DA-5	4A0911-06	1										
13a	Truss Head Screw	4x6	7C31-0406	2										
14	Copper Tube (A) - High Side	COPPER	2A3851G01	1										
15	Copper Tube (B) - High Side	COPPER	3A2219-01	1										
16	Copper Tube (C) - High Side	COPPER	4A2682G01	1										
17	Copper Tube (D) - High Side	COPPER	3A4006G01	1										
18	Strainer	(Included in 3A4006G01)	441569-01											
19	Copper Tube (E)-High Side	COPPER	3A3541-01	1										
20	Heat Exchanger	-	2A3447G02	1										
21	Elbow	COPPER	417395-03	1										
22	Copper Tube - Hot Gas	COPPER	2A3430G01	1										
23	Endcap		4A2666F01	2										
24	Access Valve	TCJ-2F20NH DU-1	457729-01	2										
25	Copper Tube (A) - Water Circuit	COPPER	3A1251G01	1										
26	Copper Tube (B) - Water Circuit	COPPER	4A2681G01	1										
27	Holder/Expansion Valve - 3/8	-	3A0107-01	1										
28	Clamp	SS	443461-02	1										
29	Expansion Valve Cover	PE FOAM	3A0944-01	1										
30	Thermistor	-	429006-03	1										
31	Holder - Thermistor	-	427430-01	1										
32	Insulation - Thermistor (A)	PE FOAM	439368-01	1										
33	Insulation - Thermistor (B)	PE FOAM	439368-02	1										

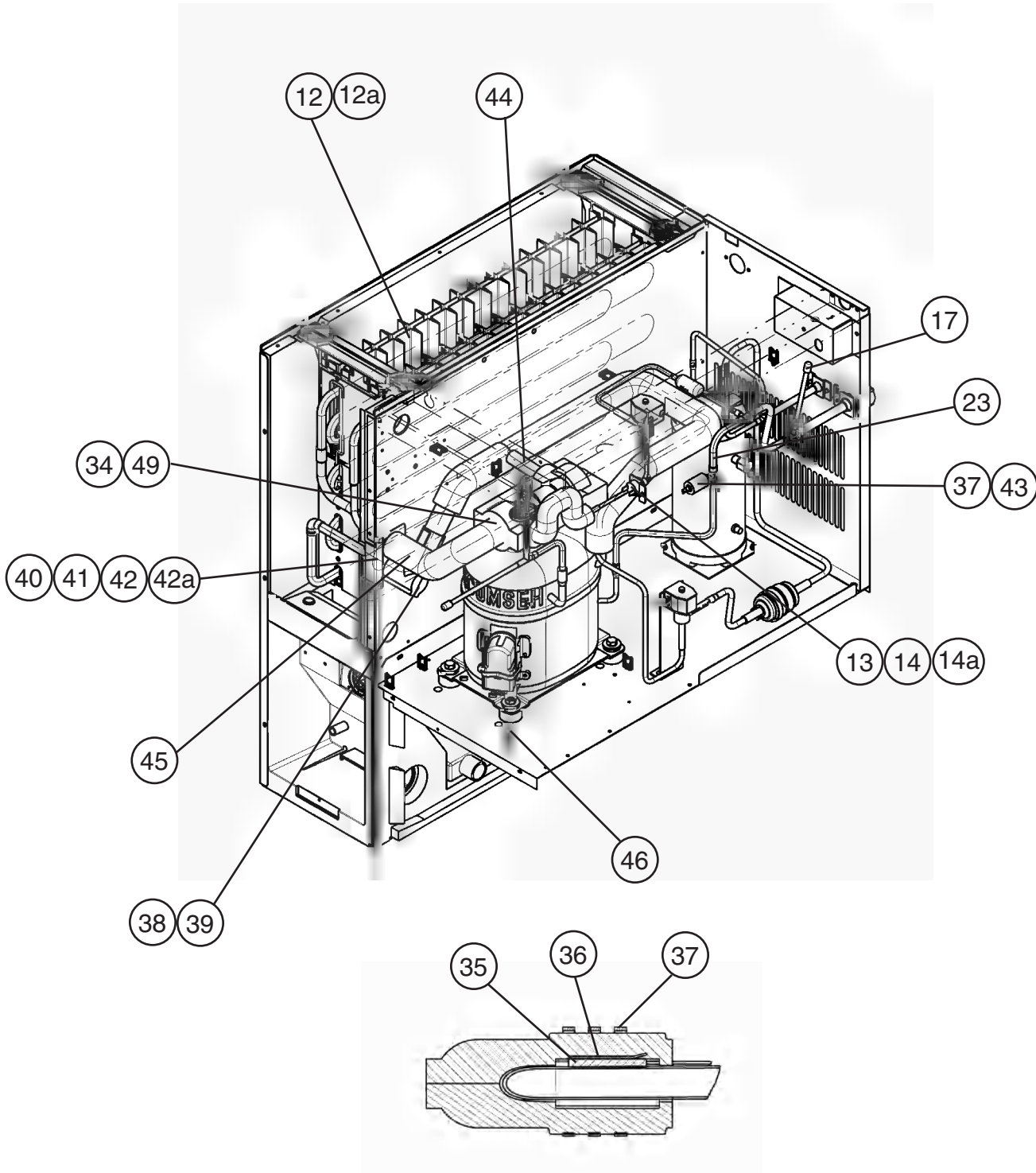
Title: **B. Refrigeration Circuit** Model: **KM-501MWH**

Index No.	Description	Material or Model Number	Part Number	Required Number									
				R-1									
34	Rubber Insulation (A)	EPDM	3A1044-01	1									
35	Rubber Insulation (B)	EPDM	3A1045-01	1									
36	Insulation Holder	-	4A1550-01	1									
36a	T2 Screw	4x8, SS	7P32-0408	2									
37	Insulation Tube	L=40	7762-1020	4									
38	Insulation Tube	L=75	7762-1020	1									
39	Insulation Tube	L=220	7762-2040	1									
40	Copper Tube – Access Valve	-	3A3999G01	1									
41	Valve - Bracket	-	436893-01	1									
41a	T2 Screw	4x8	7P31-0408	2									
42	Valve Body - Hot Gas	-	4A3276-01	1									
42a	Bolt	-	4A3277F01	1									
43	Coil - Valve	-	4A3277-01	1									
43a	Truss Head Screw	4x6	7C32-0406	2									
44	Wire Saddle	-	4A0338-02	9									
45	Cable Tie	CV-200	8911-0200	15									
46	Elbow	COPPER	417395-03	1									
47	Expansion Valve	HFE-10NHD-2	4A1414-01	1									

B. Refrigeration Circuit
(1/2)
KM-501MRH
R-1



B. Refrigeration Circuit
(2/2)
KM-501MRH
R-1



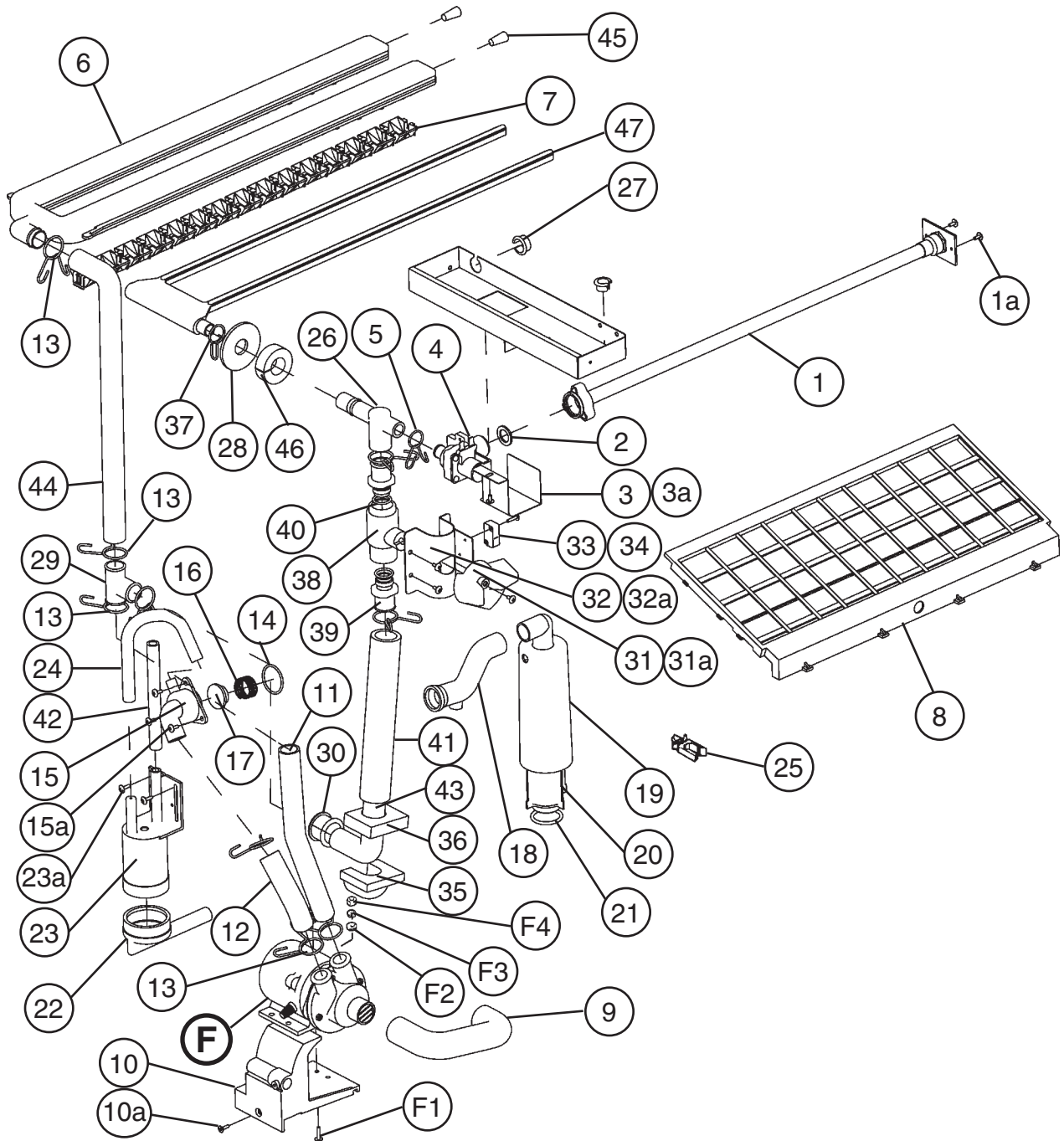
Title: **B. Refrigeration Circuit** Model: **KM-501MRH**

Index No.	Description	Material or Model Number	Part Number	Required Number								
				R-1								
1	Rear Panel	GS	220468G03	1								
1a	T2 Screw	4x8	7P31-0408	5								
2	Compressor	AKA9455ZXA	4A1820-01	1								
2a	Bolt	8x45	437889-01	4								
2b	Spacer	027-0072-02	434404-01	4								
2c	Grommet	527-0039-04	434403-01	4								
3	Motor Protector	8300MRAK30	4A1875-01	1								
4	Coupling	-	4A3972G01	1								
5	Tube Holder-S	-	438246-01	1								
5a	T2 Screw	4x8	7P31-0408	2								
6	Coupling	-	434136G01	1								
7	Tube Holder-L	-	438245-01	1								
7a	T2 Screw	4x8	7P31-0408	2								
8	Receiver Tank	RR KN WP450	437596-01	1								
8a	Hex Bolt Assembly (LF)	5x10, SS	7B0130510	3								
9	Drier	-	4A2666-01	1								
10	Nylon Tie	-	8911-0301	1								
11	Expansion Valve	HFE-10NHD-2	4A1414-01	1								
12	Evaporator	-	106492G01	1								
12a	T2 Screw	4x16, SS	7P32-0416	4								
13	Pressure Switch	ACB-1UB09	433441-07	1								
14	Pressure Switch Bracket	GS	434938-01	1								
14a	T2 Screw	4x8	7P31-0408	1								
15	Copper Tube Access Valve	COPPER	3A3999G01	1								
16	Access Valve	-	457729-01	1								
17	Endcap	-	4A2666F01	2								
18	Valve Bracket	-	436893-01	1								
18a	T2 Screw	4x8	7P31-0408	2								
19	Valve Body - Hot Gas	70	4A3978-01	1								
19a	Bolt	4x6	4A3277F01	1								
20	Coil - Valve	ABS-25-1- HD-2	4A3277-01	1								
20a	Truss Head Screw	4x8	7C31-0408	2								
21	Valve Body - Liquid Line	-	4A3276-01	1								
21a	Bolt	4x6	4A3277F01	1								
22	Coil - Valve	ABS-25-1- HD-2	4A3277-01	1								
22a	Truss Head Screw	4x8	7C31-0408	2								
23	Copper Tube (A) - High Side	COPPER	2A3909G01	1								
24	Copper Tube (B) - High Side	COPPER	3A4095G01	1								
25	Copper Tube (D) - High Side	COPPER	3A4006G01	1								
26	Strainer	(Included in 3A4006G01)	441569-01	1								
27	Copper Tube (E) - High Side	COPPER	332445-01	1								
28	Copper Tube (F) - High Side	COPPER	4A2768-01	1								

Title: **B. Refrigeration Circuit** Model: **KM-501MRH**

Index No.	Description	Material or Model Number	Part Number	Required Number									
				R-1									
29	Copper Tube (G) - High Side	COPPER	3A4097G01	1									
30	Copper Tube - Hot Gas	COPPER	2A3435G01	1									
31	Elbow	COPPER	417395-03	1									
32	Holder / Exp. Valve – 3/8	SS	3A0107-01	1									
33	Heat Exchanger	-	2A3447G03	1									
34	Expansion Valve Cover	PE FOAM	3A0944-01	1									
35	Thermistor	-	429006-03	1									
36	Holder - Thermistor	COPPER	427430-01	1									
37	Cable Tie	-	8911-0200	11									
38	Insulation - Thermistor (A)	PE FOAM	439368-01	1									
39	Insulation - Thermistor (B)	PE FOAM	439368-02	1									
40	Rubber Insulation (A)	EPDM	3A1044-01	1									
41	Rubber Insulation (B)	EPDM	3A1045-01	1									
42	Insulation Holder	-	4A1550-01	1									
42a	T2 Screw	4x8, SS	7P32-0408	2									
43	Insulation Tube	L=40	7762-1020	1									
44	Insulation Tube	L=75	7762-1020	1									
45	Insulation Tube	L=220	7762-2040	1									
46	Wire Saddle	VWS4238-C	4A0338-02	10									
47	Crankcase Heater	-	4A1869-01	1									
47a	T2 Screw	4x8	7P31-0408	1									
48	Silicone Hose	-	7730-0912	1									
49	Clamp	SS	443461-02	1									

C. Water Circuit
KM-501MAH, KM-501MWH, KM-501MRH
 R-1



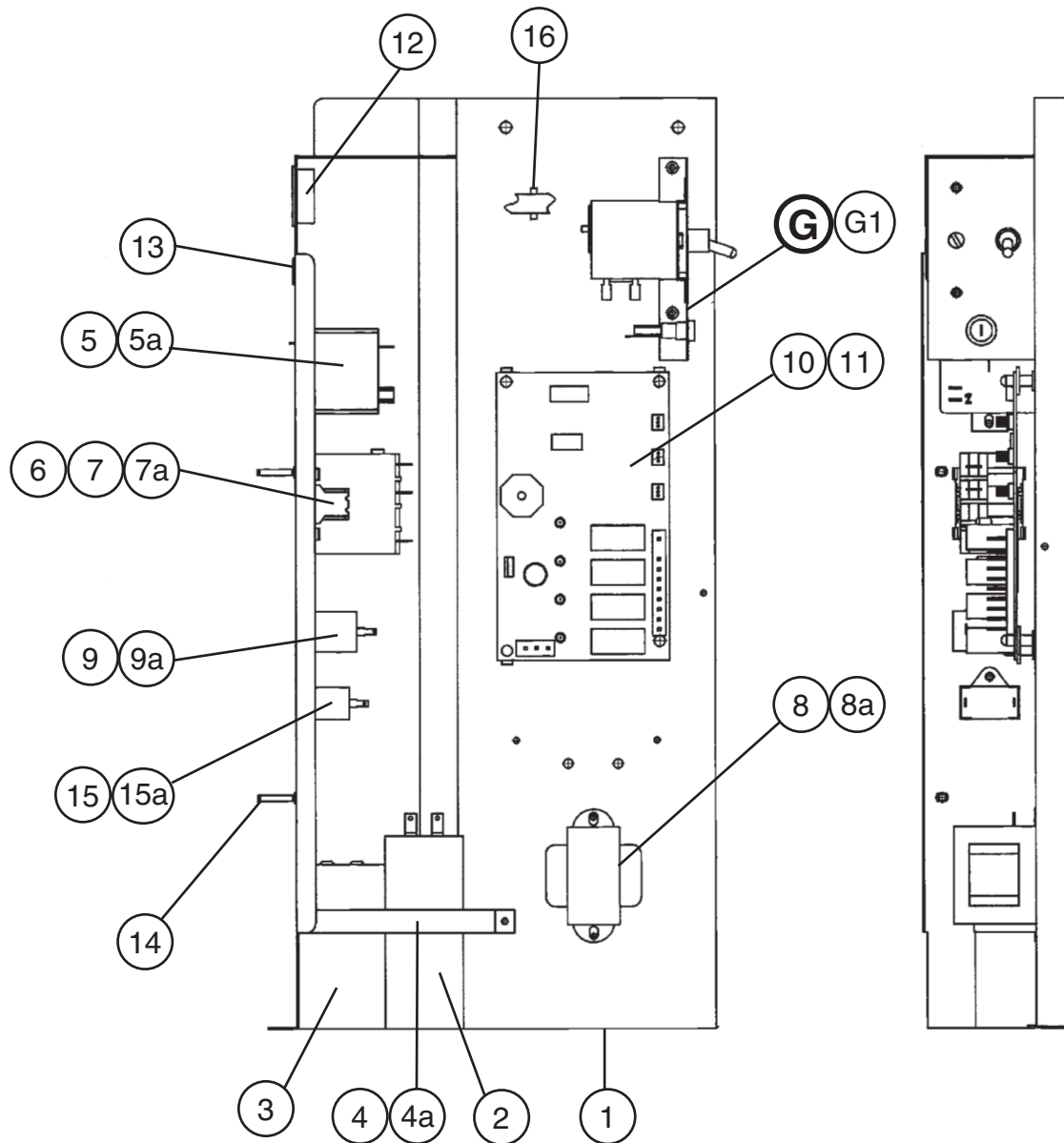
Title: **C. Water Circuit** Model: **KM-501MAH, KM-501MWH, KM-501MRH**

Index No.	Description	Material or Model Number	Part Number	Required Number									
				R-1									
F	Pump Motor Assembly	HS-0176	3A2638A03	1									
F1	Truss Head Screw	4x16, SS	7C32-0416	1									
F2	Flat Washer	M4, SS	7W22-0400	1									
F3	Split Lock Washer	M4, SS	7L22-0400	1									
F4	Hex Nut	M4, SS	7N12-0400	1									
1	Water Supply Pipe	COPPER	4A0768G04	1									
1a	T2 Screw	4x8	7P31-0408	2									
2	Rubber Gasket	NR	413854-03	1									
3	Water Valve Bracket	GS	321443-01	1									
3a	T2 Screw	4x8	7P31-0408	1									
4	Water Valve	J248-072	3U0111-04	1									
5	Hose Clamp	SS, 18MM	427443-05	1									
6	Spray Tube	PE	1A0260-02	1									
7	Spray Guide (A)	PE	208586-01	6									
8	Cube Guide	ABS	212088-01	1									
9	Suction Hose	EPDM	433466-01	1									
10	Pump Motor Bracket	PC	211408-01	1									
10a	Flat Head Screw	4x12, SS	7F32-0412	1									
11	Vinyl Hose	L=250+10/-0	7716-2025	1									
12	Vinyl Hose	L=110	7716-2025	1									
13	Hose Clamp	SS, 25MM	427443-03	9									
14	"O" Ring	1AG35	7611-G035	1									
15	Valve Housing - Drain	ABS	321001-01	1									
15a	T2 Screw	4x10, SS	7P32-0410	3									
16	Spring	SS	322110-01	1									
17	Valve Seat	EPDM	433705-01	1									
18	Drain Hose	SANTO- PRENE	433468-01	1									
19	Overflow Cap	PE	321002-01	1									
20	Overflow Pipe	ABS	430722-03	1									
21	"O" Ring	EPDM	4A1234-01	1									
22	Connector – Float Switch	EPDM	426799-01	1									
23	Float Switch	163795	4A3624-01	1									
23a	T2 Screw	4x12, SS	7P32-0412	2									
24	Silicone Hose	L=140	773013896	1									
25	Wire Saddle	VWS4238-C	4A0338-02	4									
26	Tee	SANTO- PRENE	4A0177-01	1									
27	Bushing	OCB-750	428394-01	1									
28	Flange	EPDM	439267-01	1									
29	Distributor	EPDM	432426-01	1									
30	Rubber Ring	EPDM	439236-01	1									

Title: **C. Water Circuit** Model: **KM-501MAH, KM-501MWH, KM-501MRH**

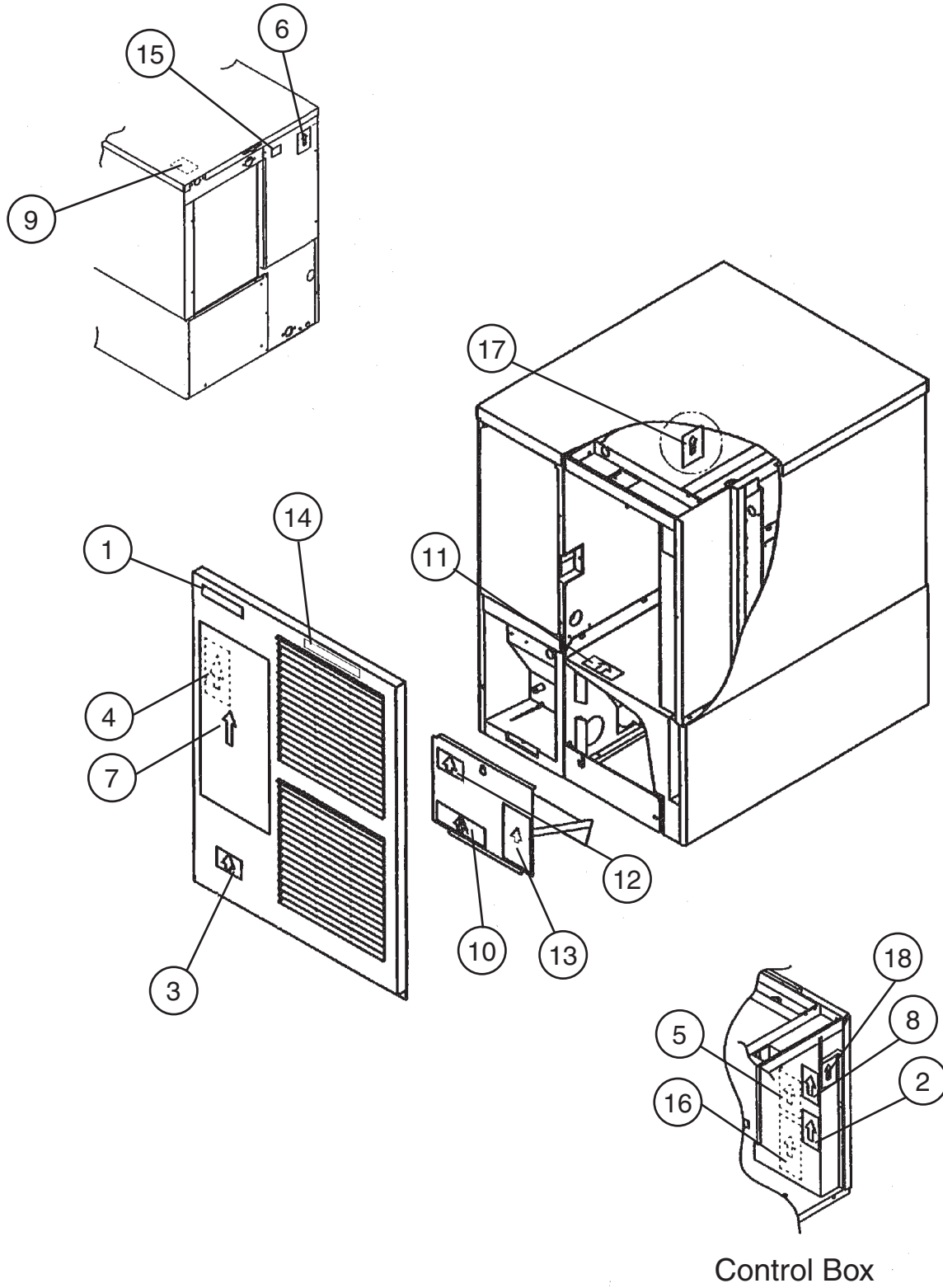
Index No.	Description	Material or Model Number	Part Number	Required Number																
				R-1																
31	Handle	JH1352	215383-01	1																
31a	T2 Screw	4x8	7P31-0408	1																
32	Valve Holder	GS	3A1178-01	1																
32a	FT Screw	4x8	7F31-0408	3																
33	Microswitch	V3L-111-D8	4A2546-01	1																
34	Tapping Screw	3x14	431415-02	2																
35	Corner Insulation (A)	PE FOAM	439376-01	1																
36	Corner Insulation (B)	PE FOAM	439392-01	1																
37	Hose Clamp	SS, 20 MM	427443-06	1																
38	Ball Valve	(S-0761), PVC	439293-01	1																
39	Male Adaptor (Included in S-0761)	ABS	325826-01	2																
40	"O" Ring (Included in S-0761)	1AP18	7611-P018	2																
41	Insulation Tube	L=190	7762-2636	1																
42	Silicone Hose	L=140	773013812	1																
43	Rubber Hose (D)	EPDM	4A1551-04	1																
44	Rubber Hose (C)	SANTO-PRENE	4A1551-03	1																
45	Plug	EPDM	4A0176-01	2																
46	Insulation (E)	PE FOAM	4A0392-01	1																
47	Water Supply Tube	PE	2A0079-01	1																

D. Control Box Assembly
KM-501MAH, KM-501MWH, KM-501MRH
R-1



Title: D. Control Box Assembly Model: KM-501MAH, KM-501MWH, KM-501MRH												
Index No.	Description	Material or Model Number	Part Number	Required Number								
				R-1								
G	Control Assembly	-	4A2911A01	1								
G1	T2 Screw	4x8	7P31-0408	2								
1	Control Box	-	2A1851-01	1								
2	Capacitor – Run	25MFD, 370 VAC	3A2005-06	1								
3	Capacitor – Starting	72-86 MFD, 250 VAC,	3A0076-15	1								
4	Strap	GS	4A2262-02	1								
4a	T2 Screw	4x8	7P31-0408	1								
5	Starter	GE3ARR3CT3TP5	4A1107-04	1								
5a	T2 Screw	4x8	7P31-0408	1								
6	Magnetic Contactor	VC-20	428393-01	1								
7	Bracket		428393F01	1								
7a	T2 Screw	4x8	7P31-0408	2								
8	Transformer	26D285H	3A0172-01	1								
8a	T2 Screw	4x8	7P31-0408	2								
9	Capacitor - Pump Motor	250 VAC, 5.5 MFD	443192-03	1								
9a	T2 Screw	4x10	7P31-0410	1								
10	Controller Board	HOS-001A	2A1410-01	1								
11	Board Support	CBLS37-M	4A0336-03	4								
12	Bushing	SB-1093-15	420470-03	1								
13	Bushing	OCB-500	428394-02	1								
14	Clamp	-	4A2338-01	2								
15	Capacitor (KM-501MAH Only)	250 VAC, 5.5 MFD	443192-02	1								
15a	T2 Screw (KM-501MAH Only)	4x10	7P31-0410	1								
16	Fuse (Spare)	-	4A0893-07	1								

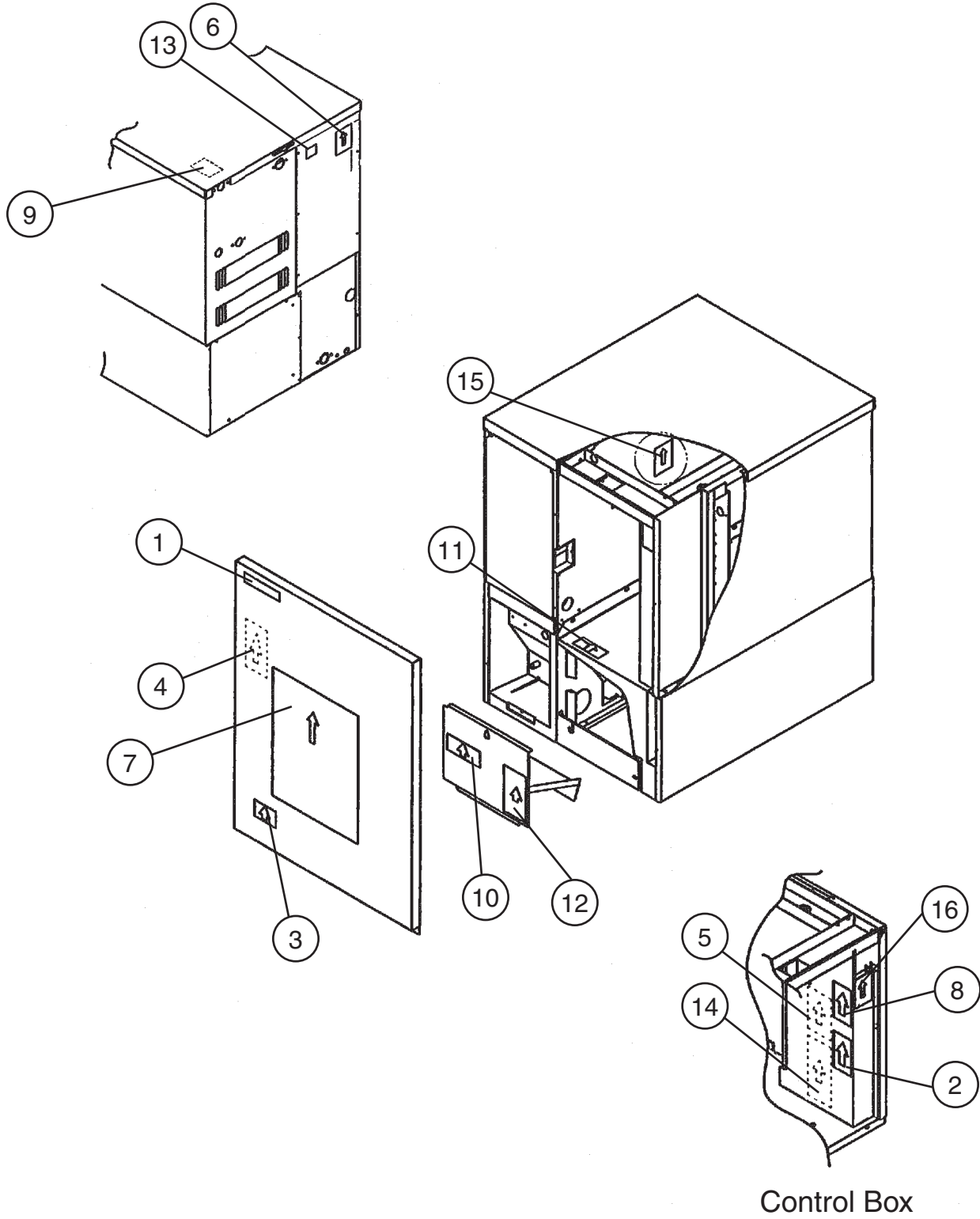
E. Label Location
KM-501MAH
R-1



Title: **E. Label Location** Model: **KM-501MAH**

Index No.	Description	Material or Model Number	Part Number	Required Number																
				R-1																
1	Emblem	PETP FILM	4A0560-01	1																
2	Label - Alarm	-	4A3517-01	1																
3	Label – Penguin – HA (R)	PETP FILM	4A0526-01	1																
4	Maintenance Label	PVC FILM	326218-01	1																
5	Wiring Label	PVC FILM	3A2415-01	1																
6	Nameplate	PES FILM	2A3847-01	1																
7	Instruction Sheet	PAPER	2A3807-01	1																
8	Manual Label	PVC FILM	446564-01	1																
9	Tag – Warning: Electrical Connection	PAPER	435005-01	1																
10	Operation Label – Valve	PVC FILM	439541-01	1																
11	Label – R404A	PES FILM	4A0960-01	1																
12	Caution Label (F)	PVC FILM	439146-01	1																
13	Caution Label (H)	PVC FILM	439148-01	1																
14	Label – Air Filter	PETP FILM	426177-01	1																
15	Instruction Label	PVC FILM	444575-01	1																
16	Label – Control Board	PVC FILM	3A2220-01	1																
17	Rating Label	-	2A3848-01	1																
18	Label – Fuse	-	4A2817-01	1																

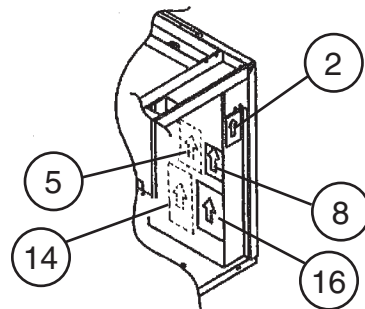
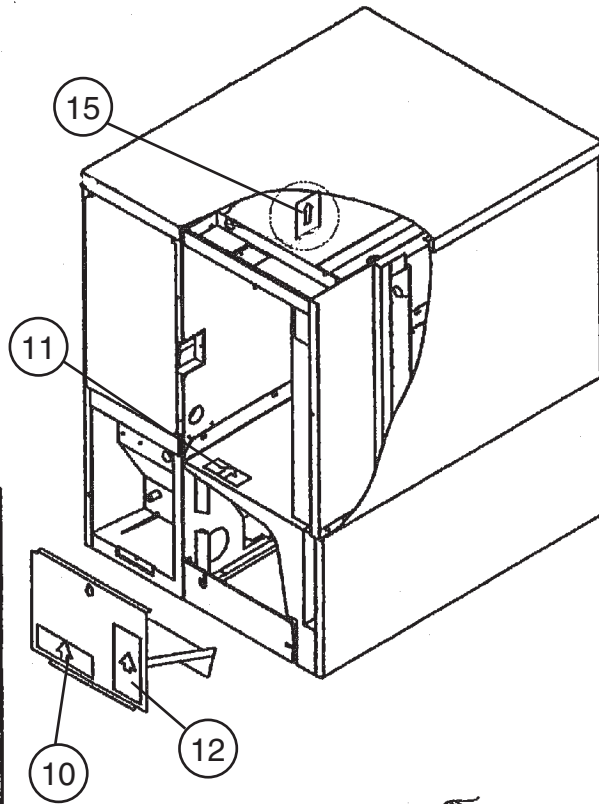
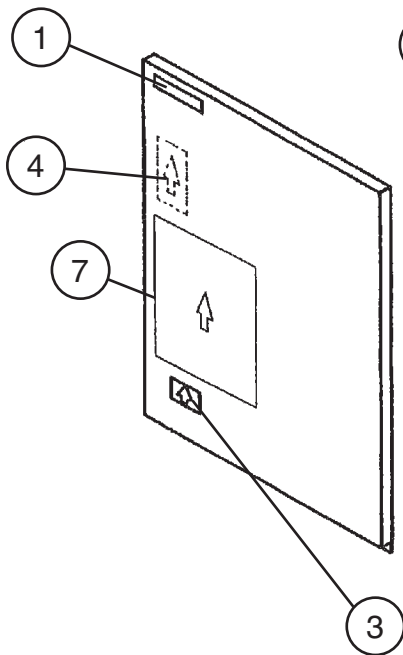
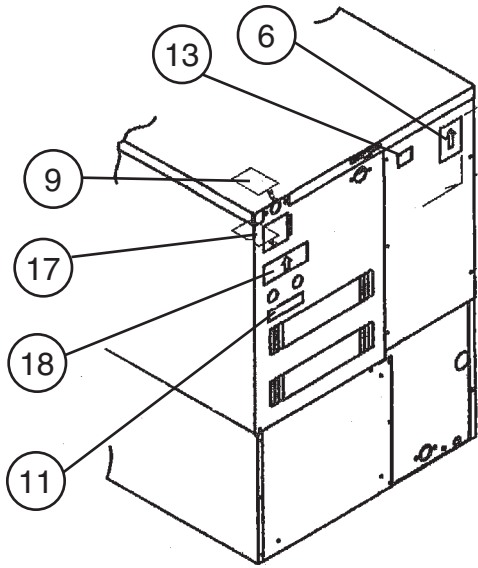
E. Label Location
KM-501MWH
R-1



Title: **E. Label Location** Model: **KM-501MWH**

Index No.	Description	Material or Model Number	Part Number	Required Number											
				R-1											
1	Emblem	PETP FILM	4A0560-01	1											
2	Label - Alarm	PETP FILM	4A3517-01	1											
3	Label – Penguin – HA (R)	PETP FILM	4A0526-01	1											
4	Maintenance Label	PVC FILM	326218-01	1											
5	Wiring Label	PVC FILM	3A2415-01	1											
6	Nameplate	PES FILM	2A3847-02	1											
7	Instruction Sheet	PAPER	2A3807-01	1											
8	Manual Label	PVC FILM	446564-01	1											
9	Tag – Warning: Electrical Connection	PAPER	435005-01	1											
10	Operation Label – Valve	PVC FILM	439541-01	1											
11	Label – R404A	PES FILM	4A0960-01	1											
12	Caution Label (H)	PVC FILM	439148-01	1											
13	Instruction Label	PVC FILM	444575-01	1											
14	Label – Control Board	PVC FILM	3A2220-01	1											
15	Rating Label		2A3848-02	1											
16	Label – Fuse	-	4A2817-01	1											

E. Label Location
KM-501MRH
R-1

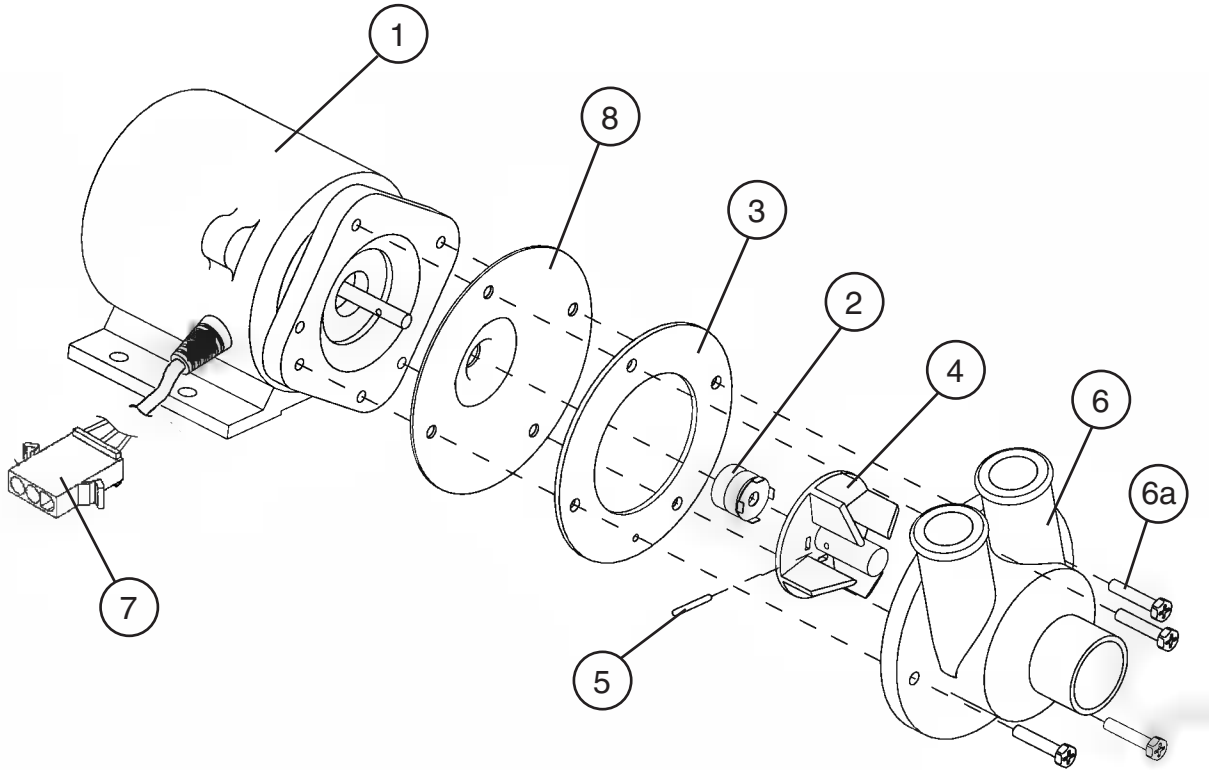


Control Box

Title: **E. Label Location** Model: **KM-501MRH**

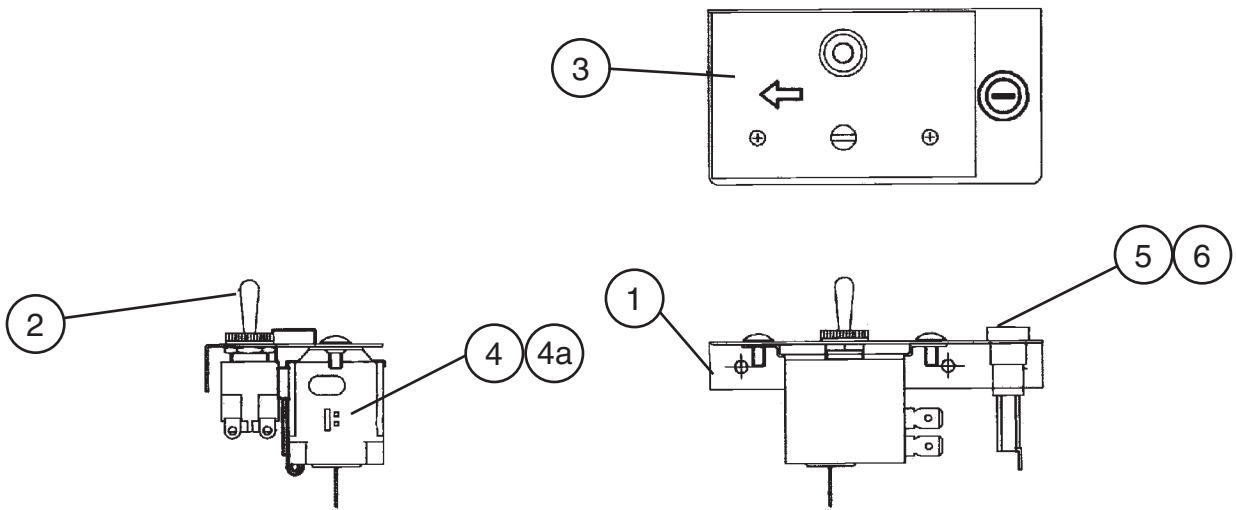
Index No.	Description	Material or Model Number	Part Number	Required Number																
				R-1																
1	Emblem	PETP FILM	4A0560-01	1																
2	Label - Fuse	PETP FILM	4A2817-01	1																
3	Label – Penguin – HA (R)	PETP FILM	4A0526-01	1																
4	Maintenance Label	PVC FILM	326218-01	1																
5	Wiring Label	PVC FILM	3A2416-01	1																
6	Nameplate	PES FILM	2A3847-03	1																
7	Instruction Sheet	PAPER	2A3807-01	1																
8	Manual Label	PVC FILM	446564-01	1																
9	Tag – Warning: Electrical Connection	PAPER	435005-01	1																
10	Operation Label – Valve	PVC FILM	439541-01	1																
11	Label – R404A	PES FILM	4A0960-01	2																
12	Caution Label (H)	PVC FILM	439148-01	1																
13	Instruction Label	PVC FILM	444575-01	1																
14	Label – Control Board	PVC FILM	3A2220-01	1																
15	Rating Label	PES FILM	2A3848-03	1																
16	Label – Alarm	-	4A3517-01	1																
17	Tag – Fan Motor Leads	-	4A1494-01	1																
18	Caution – Remote Label	-	4A1491-01	1																

F. Pump Motor Assembly
KM-501MAH, KM-501MWH, KM-501MRH
 R-1



Title: F. Pump Motor Assembly Model: KM-501MAH, KM-501MWH, KM-501MRH															
Index No.	Description	Material or Model Number	Part Number	Required Number											
				R-1											
1	Pump Motor	APTA9210WD1 120V	2A2758-01	1											
2	Mechanical Seal / R	HKU90-J9001	465627-01	1											
3	Pump Gasket	EPDM	4A2974-01	1											
4	Impeller	ABS	433522-01	1											
5	Pin	SS	4A0648-01	1											
6	Pump Housing	ABS	211409-01	1											
6a	Screw	4x20, Geomet 321coated SS	4A3871-01	4											
7	Plug Housing	-	412832-06	1											
8	Pump Flange	-	3A2988-01	1											

G. Control Assembly
KM-501MAH, KM-501MWH, KM-501MRH
 R-1



Title: G. Control Assembly Model: KM-501MAH, KM-501MWH, KM-501MRH												
Index No.	Description	Material or Model Number	Part Number	Required Number								
				R-1								
1	Control Box (C)	-	4A2816-01	1								
2	Toggle Switch	7K63K6	443119-01	1								
3	Control Label	-	4A2909-01	1								
4	Thermostat	-	4A2879-01	1								
4a	Truss Head Screw	-	7C31-0408	2								
5	Fuse Holder	-	4A0892-01	1								
6	Fuse	-	4A0893-07	1								

H. Accessories

KM-501MAH, KM-501MWH, KM-501MRH

R-1

Title: H. Accessories Model: KM-501MAH, KM-501MWH, KM-501MRH												
Index No.	Description	Material or Model Number	Part Number	Required Number								
				R-1								
1	Instruction Manual	PAPER	91A1MN10A	1								
2	Universal Brace	GS	4A0363-01	2								
3	Hex Head Bolt	5x12, SS	7B0230512	4								
Packaging (On Models Currently In Production)			2A3865A01									
1	Tray Assembly - Top	-	1A1222G01	1								
2	Tray Assembly - Bottom	-	1A1223G01	1								
3	Pallet	-	2A3684-01	1								
4	Carton	-	2A3862-29	1								
5	Plastic Support	-	2A3865-09	1								
6	Corner Post	-	3A4040-03	1								
7	Bar Code Label	-	4A2999-01	4								