



KM-300B_J

SELF-CONTAINED CUBER WITH BUILT-IN STORAGE BIN



KM-300B_J
05/10/18
Item # 13235

Item #: _____
 Project: _____
 Qty: _____
 AIA#: _____

W x D x H
30" x 28" x 39"*
*including 6" legs

ADA Compliant

KM Edge DESIGN

KM-300BAJ
Air-Cooled
Shown

KM-300BWJ
Water-Cooled



Features

- ▶ Individual crescent cube
- ▶ Stainless steel evaporator
- ▶ CycleSaver™ design

- Up to 295 lbs. of ice production per 24 hours
- Built-in storage capacity of 3.3ft³/100 lbs.*
- Durable stainless steel exterior
- Front-in, front-out airflow
- Removable air filter (Air-cooled model only)
- Ice bin opening is ADA compliant
- 6 ft. (1800 mm) power cord with NEMA 5-15P plug
- H-GUARD Plus Antimicrobial adds extra protection to the ice scoop (included)
- EverCheck™ alert system
- R-404A Refrigerant

Warranty:

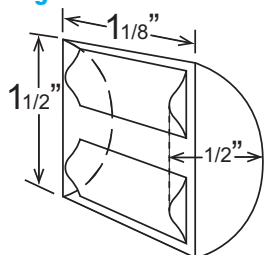
3 Year Parts & Labor on entire machine. 5 Year Parts & Labor on Evaporator. 5 Year Parts on Compressor; air-cooled condenser coil. Valid in United States, Canada, Puerto Rico and U.S. Territories. Contact factory for warranty in other countries.



Condenser	Model	ICE PRODUCTION		WATER USAGE		ELECTRICAL			Heat Rejection BTU/hr.	Refrigerant Charge Amount	Net / Ship Weight (lbs.)	
		Air / Water Temp Lbs. per 24 hours 70°/50°F 90°/70°F		Potable Gal. per 100 lbs. 90°/70°F	Condenser Gal. per 100 lbs. 90°/70°F	kWh Used per 100 lbs. 90°/70°F	Max. Fuse Size or HACR Circuit Breaker	Amperage				Voltage
Air-Cooled	KM-300BAJ	295	210	22.0	N/A	7.02	15A	8.4A	115V/60/1	4,200	13.4 oz.	154 / 187
Water-Cooled	KM-300BWJ	265	230	20.0	95.4	4.90	15A	5.7A	115V/60/1	4,050	12.3 oz.	154 / 187

Power cord included

KM Edge Cube Dimensions*



* approximate size in inches, image not to scale

Operating Limits

- Ambient Temp Range 45 - 100°F
- Water Temp Range 45 - 90°F
- Water Pressure 10 - 113 PSIG
- Voltage Range 104 - 127V

Service

- Allow enough space at rear for water supply and drain connections. Allow at least 2" (5 cm) on right side for proper air circulation and at least 0.6" (15 mm) clearance at top for service/maintenance.

Plumbing

- Icemaker Water Supply Line: Min. 1/4" Nominal ID Copper Water Tubing or Equivalent
- Icemaker Drain Line: Min. 3/4" Nominal ID Hard Pipe or Equivalent Water-Cooled Model (Lines Must Be Independent of Icemaker)
- Condenser Water Supply Line: Minimum 1/4" Nominal ID Copper Water Tubing or Equivalent
- Condenser Drain/Return Line: Min. 1/4" Nominal ID Hard Pipe (open drain system) or Copper Water Tubing (closed loop system) or Equivalent

Water Filter

Please refer to water filter spec sheet for recommended configurations.



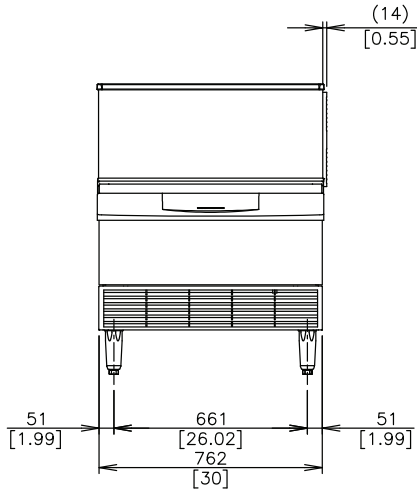
KM-300B_J

SELF-CONTAINED CUBER
WITH BUILT-IN STORAGE BIN

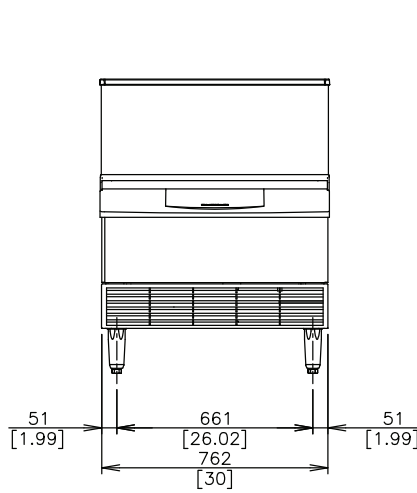


KM-300B_J
05/10/18
Item # 13235

FRONT VIEW



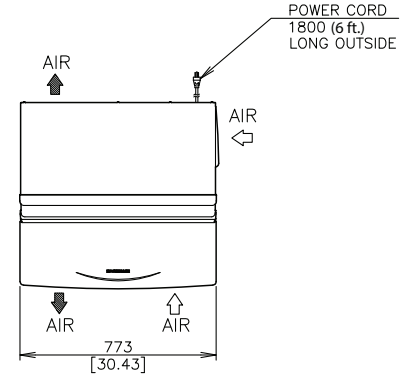
AIR-COOLED



WATER-COOLED

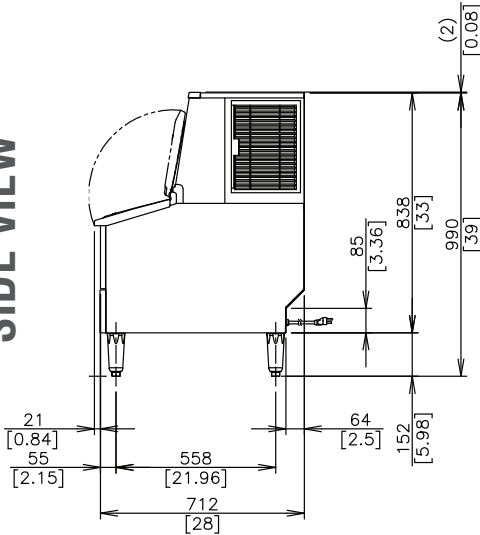
TOP VIEW

mm
[inch]

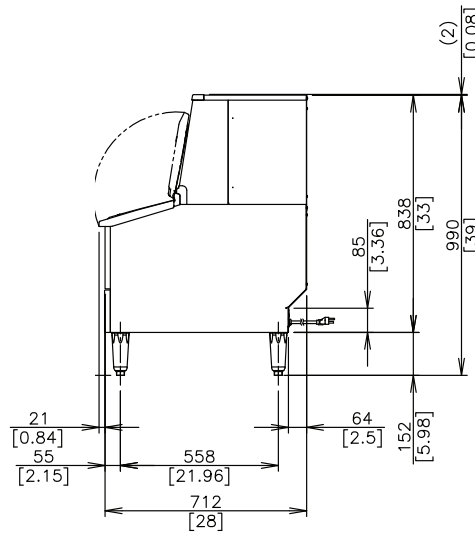


AIR-COOLED

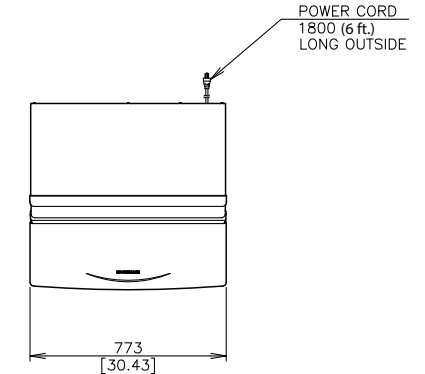
SIDE VIEW



AIR-COOLED

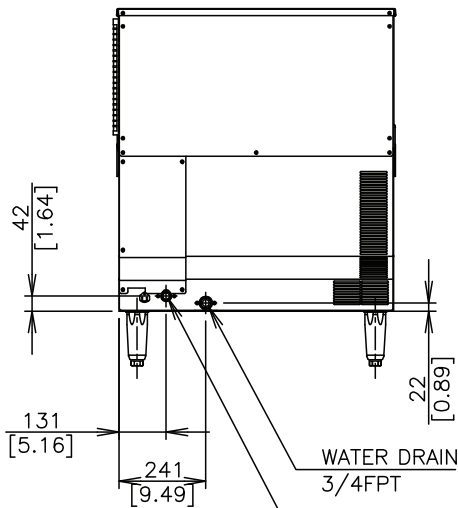


WATER-COOLED

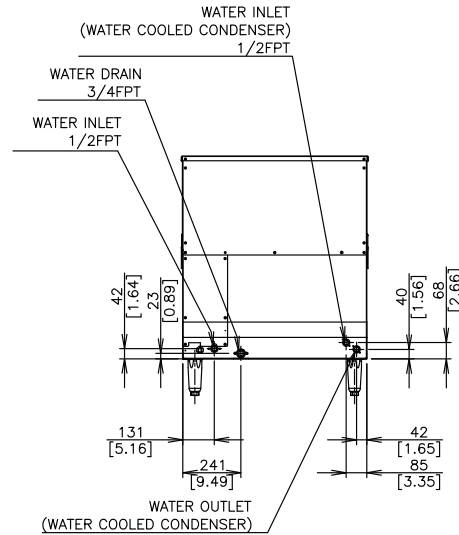


WATER-COOLED

REAR VIEW



AIR-COOLED



WATER-COOLED