



HOSHIZAKI

Parts List

Crescent Cuber

Model
KM-300BAJ



hoshizakiamerica.com

Number: F112-4266
Issued: 1-2018

Auxiliary Codes

KM-300BAJ	G-1	April 2017
	H-1	January 2018

Auxiliary Code Breakdown

The auxiliary code is the first two characters in the serial number. The first character indicates the year. Years progress or regress in alphabetical order. The series runs from "A" through "V" and the letters "I" and "O" are skipped. The second character indicates significant part changes within a year. Base is "0" and this number advances for each change. In cases where there is a letter in parentheses, this designates the month. This is the last character in the serial number. The series runs from "(A)" through "(M)" and the letter "(I)" is skipped. This designation is only included when identifying a parts change within an auxiliary code.

Note About Ordering Parts

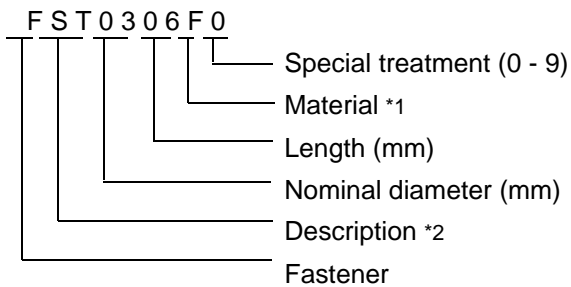
Most assemblies cannot be ordered as complete units; parts in the assemblies generally must be ordered separately.

MARKS LOCATED UNDER THE AUXILIARY CODE

- = Part deleted.
- x = Part deleted and replaced by "o" part.
- o = New part in place of "x" part.

FASTENER PART NUMBER

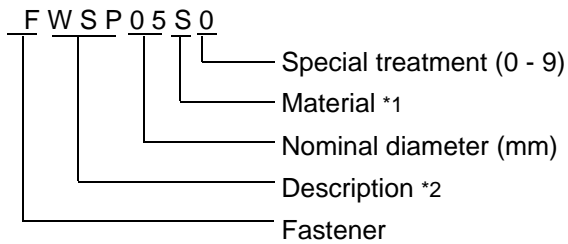
SCREWS



*1

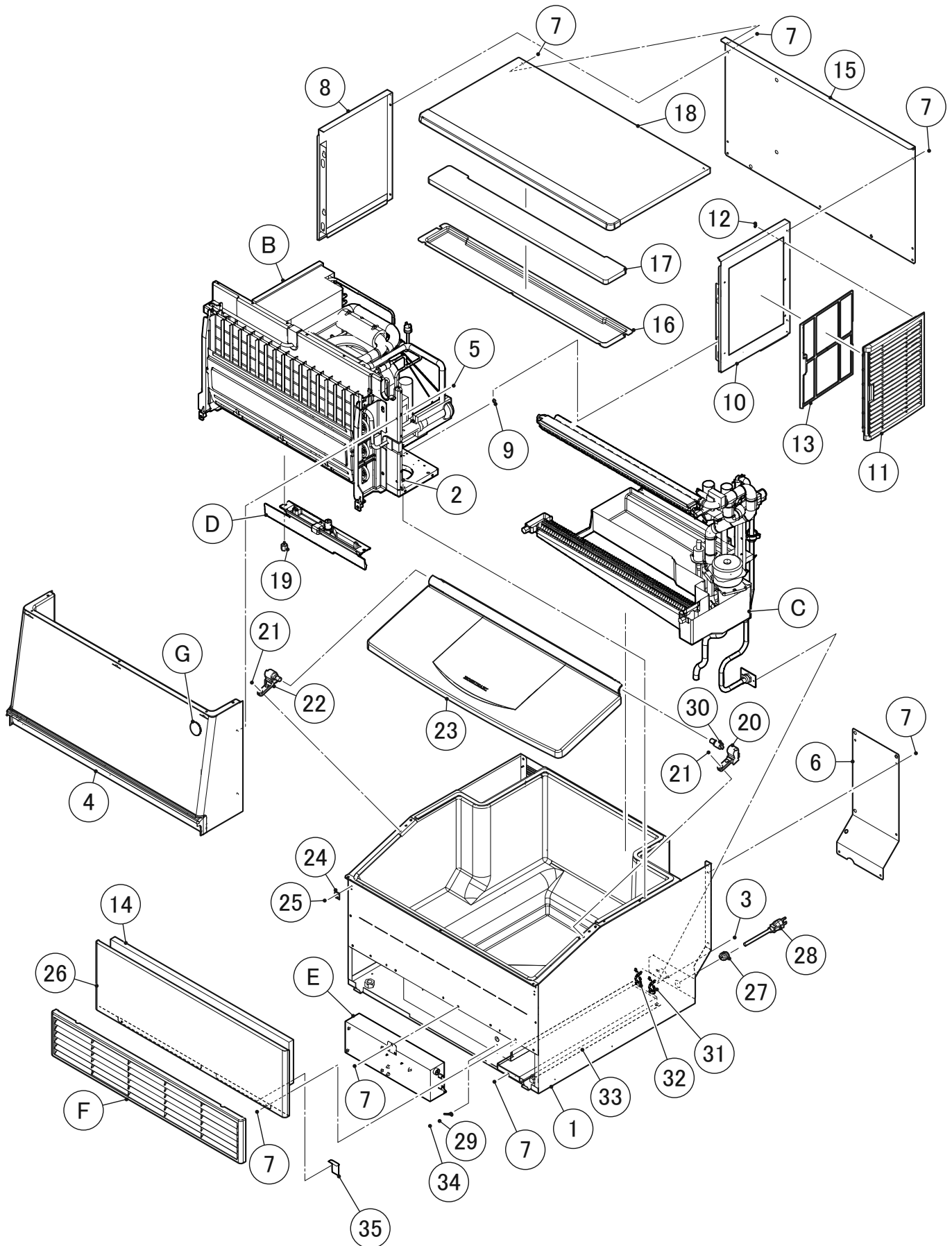
- F: Steel
- S: Austenitic stainless steel
- M: Martensitic stainless steel
- B: Copper alloy
- P: Polycarbonate
- N: Polyamide
- V: PVC
- A: ABS
- X: Polyacetal
- L: Aluminum

NUTS & WASHERS



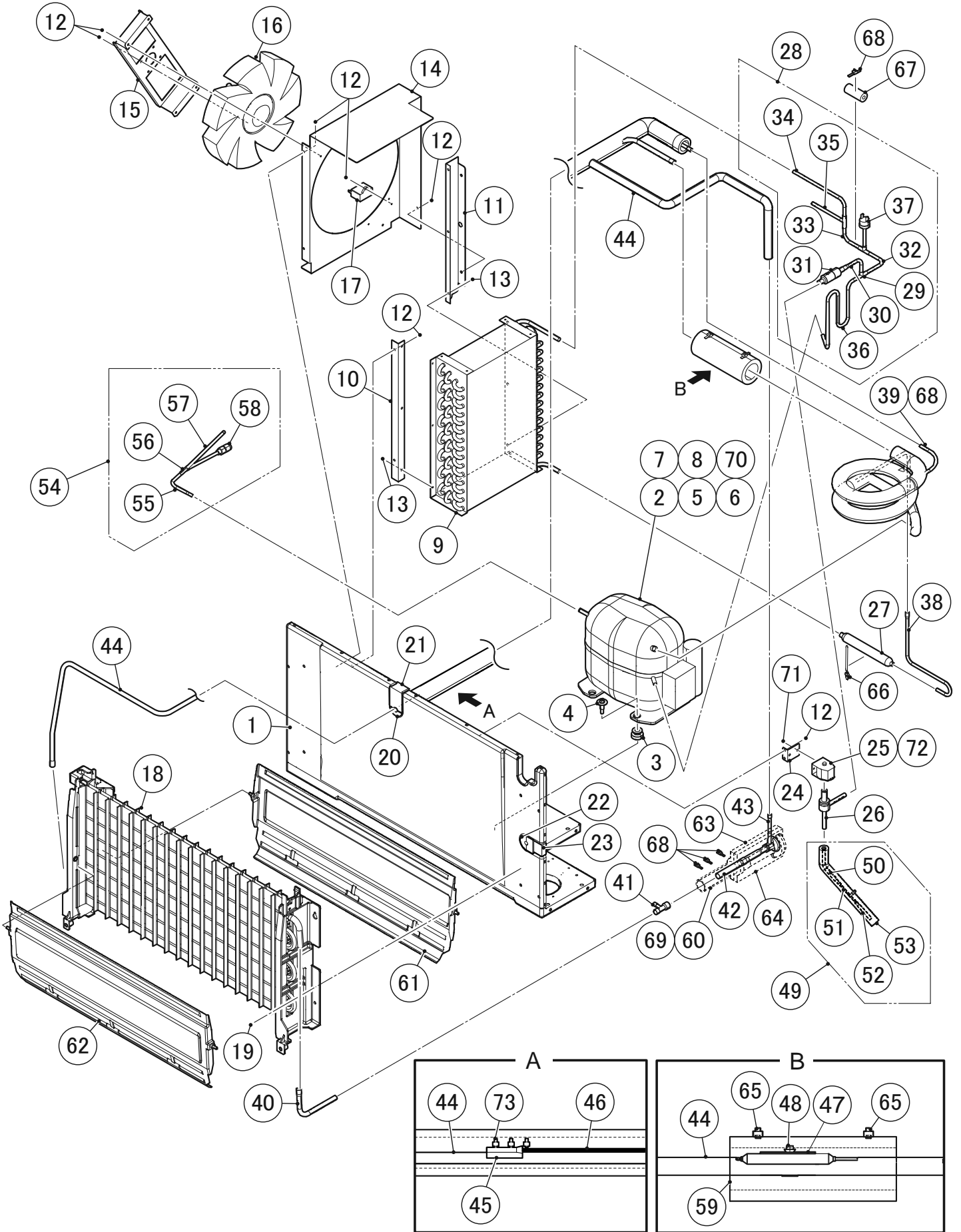
*2

- First letter
- S: Machine screw
- T: Tapping screw
- M: Wood screw
- B: Bolt
- W: Washer
- N: Nut



HA

MODEL: KM-300BAJ		TITLE: A. ICE CUBER ASSY					
INDEX NO.	DESCRIPTION	MATERIAL OR MODEL NUMBER	PART NUMBER	REQ'D NUMBER			
				G-1 H-0	H-1		
B	REFRIGERATION CIRCUIT		124923A01	1	1		
C	WATER CIRCUIT - 260		124913A01	1	1		
D	MECHANICAL BIN SWITCH - 30		384902A01	1	1		
E	CONTROL BOX ASSY		371208A04	1	1		
F	LOUVER ASSY - 30		371295A01	1	1		
G	LABEL LOCATION		270859A02	1	1		
H	ACCESSORIES		A03349-01	1	1		
1	BIN ASSY - 30		118990G02	1	1		
2	TRUSS HEAD SCREW	SUS 4x30	FST0430S0	5	5		
3	TRUSS HEAD TAPPING SCREW T2	SUS 4x12	FT20412M0	2	2		
4	FRONT COVER - 30		254938G02	1	1		
5	TRUSS HEAD MACHINE SCREW	SUS 4x20	FST0420S0	4	4		
6	REAR COVER		371199M01	1	1		
7	TRUSS HEAD SCREW		FST0408F0	24	24		
8	SIDE PANEL (L,UP)		371013G02	1	1		
9	TAPER COLLAR		4H0171-01	4	4		
10	SIDE PANEL (R,UP)		371015G02	1	1		
11	LOUVER (B)		121370P01	1	1		
12	PUSH RETAINER	94807A024	4A2414-01	3	3		
13	AIR FILTER (B)		121372G01	1	1		
14	INSULATION (F) - 30		472742P01	1	1		
15	REAR PANEL (UP)		371000M01	1	1		
16	TOP COVER - 30		254953P01	1	1		
17	INSULATION - TOP (30)		472444P01	1	1		
18	TOP PANEL - 30		371008G02	1	1		
19	THUMBSCREW		415949G12	2	2		
20	HINGE MOUNT(R)		370969P01	1	1		
21	PAN HEAD MACHINE SCREW (SPRING WASHER)	SUS 5x16	FSS0516S0	4	4		
22	HINGE MOUNT(L)		370970P01	1	1		
23	DOOR ASSY - 30		370980G01	1	1		
24	CLAMP		472587M01	2	2		
25	T2 TRUSS HEAD SCREW	4x8	FT20408F0	2	2		

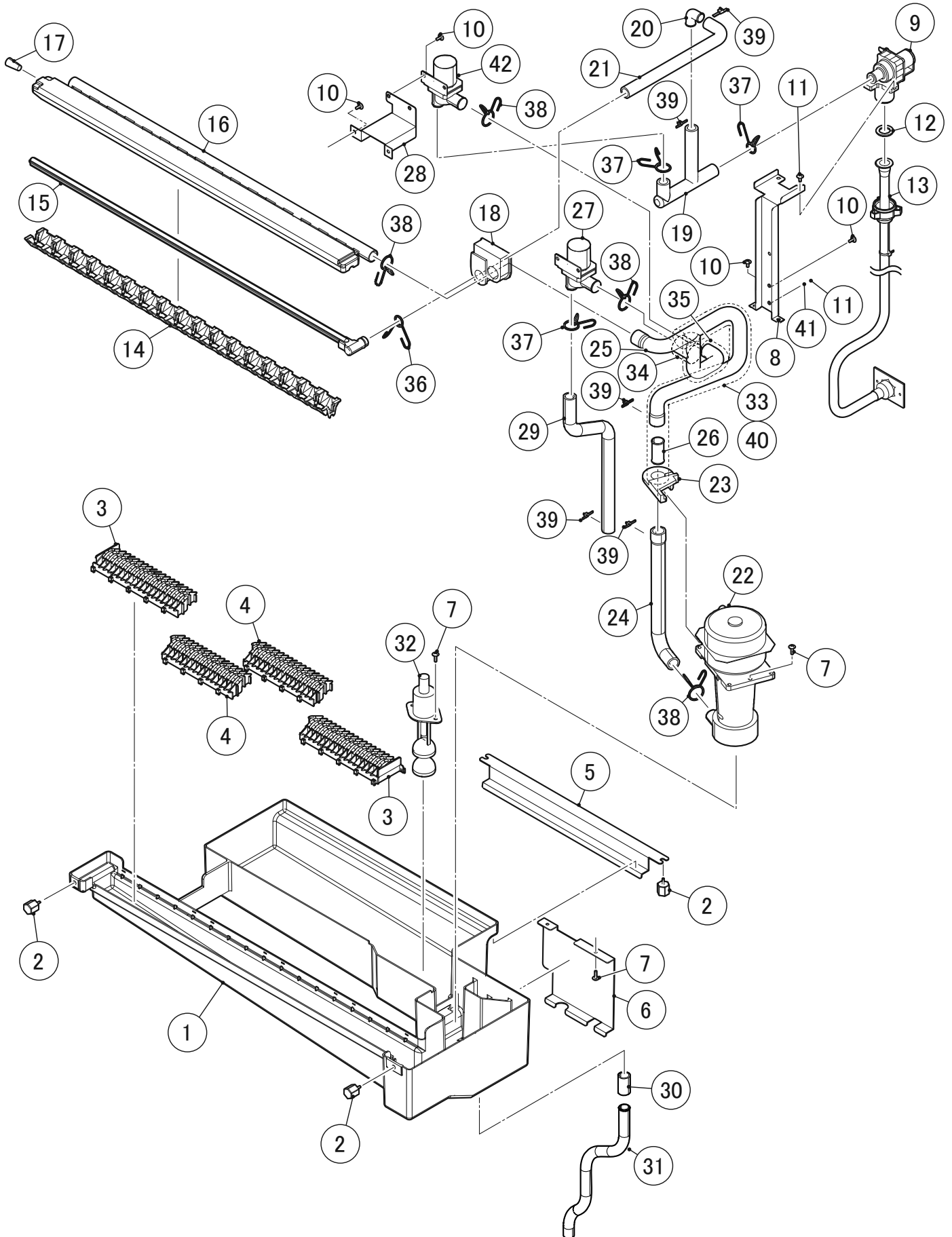


HA

MODEL: KM-300BAJ		TITLE: B. REFRIGERATION CIRCUIT					
INDEX NO.	DESCRIPTION	MATERIAL OR MODEL NUMBER	PART NUMBER	REQ'D NUMBER			
				G-1 H-0	H-1		
1	BASE ASSY - 30		384387G01	1	-		
			384387G02	-	1		
2	COMPRESSOR	SC10CL 115V 60Hz	P01081-01	1	1		
3	GROMMET		450897-01	4	4		
4	BOLT		468180-01	4	4		
5	CORD RELIEF		452239-01	1	1		
6	STARTING RELAY		P01178-01	1	1		
7	COVER		P01179-01	1	1		
8	STARTING CAPACITOR		P01180-01	1	1		
9	CONDENSER		P00822-01	1	1		
10	BRACKET (A) - CONDENSER		472458M01	1	1		
11	BRACKET (B) - CONDENSER		472463M01	1	1		
12	TRUSS HEAD SCREW	4X8	FST0408F0	19	19		
13	T2 TRUSS HEAD SCREW	4X8	FT20408M0	6	6		
14	SHROUD - 30		255381M01	1	1		
15	BRACKET - FAN MOTOR		371200M01	1	1		
16	FAN MOTOR (G)	A4E250-AH36-70	384348G01	1	1		
17	CAPACITOR		443158-02	1	1		
18	EVAP. ASSY		384377G01	1	1		
19	TRUSS HEAD SCREW	SUS 4X12	FST0412S0	4	4		
20	GROMMET(A1)		482520R01	1	1		
21	GROMMET(A2)		482521R01	1	1		
22	GROMMET (C1)		472437R01	1	1		
23	GROMMET (C2)		472560R01	1	1		
24	BRACKET - HOT GAS		472590M01	1	1		
25	COIL VALVE (G)	AMS-C12HDU-3	384347G01	1	1		
26	VALVE BODY	ATS-B7SHDU-2	4A3978-01	1	1		
27	DRIER		P00026-01	1	1		
28	COPPER TUBE (A) - H		371212G04	1	1		
29	TEE - 6.4		417394-01	3	3		
30	COPPER TUBE (A2) - H		472594M01	1	1		
31	STRAINER		P00812-01	1	1		
32	COPPER TUBE (A3) - H		371212M05	1	1		
33	COPPER TUBE (A4) - H		371212M07	1	1		

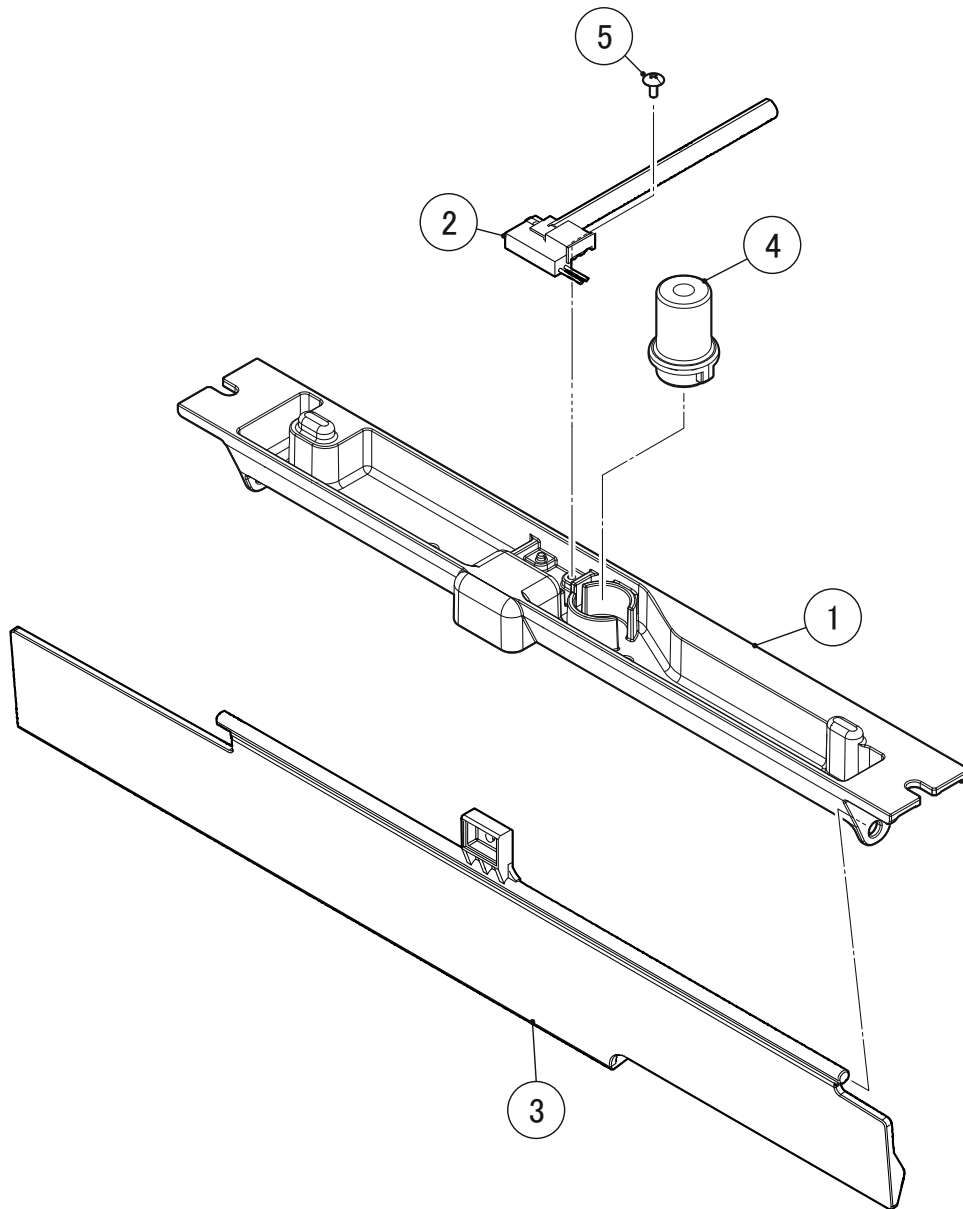
HA

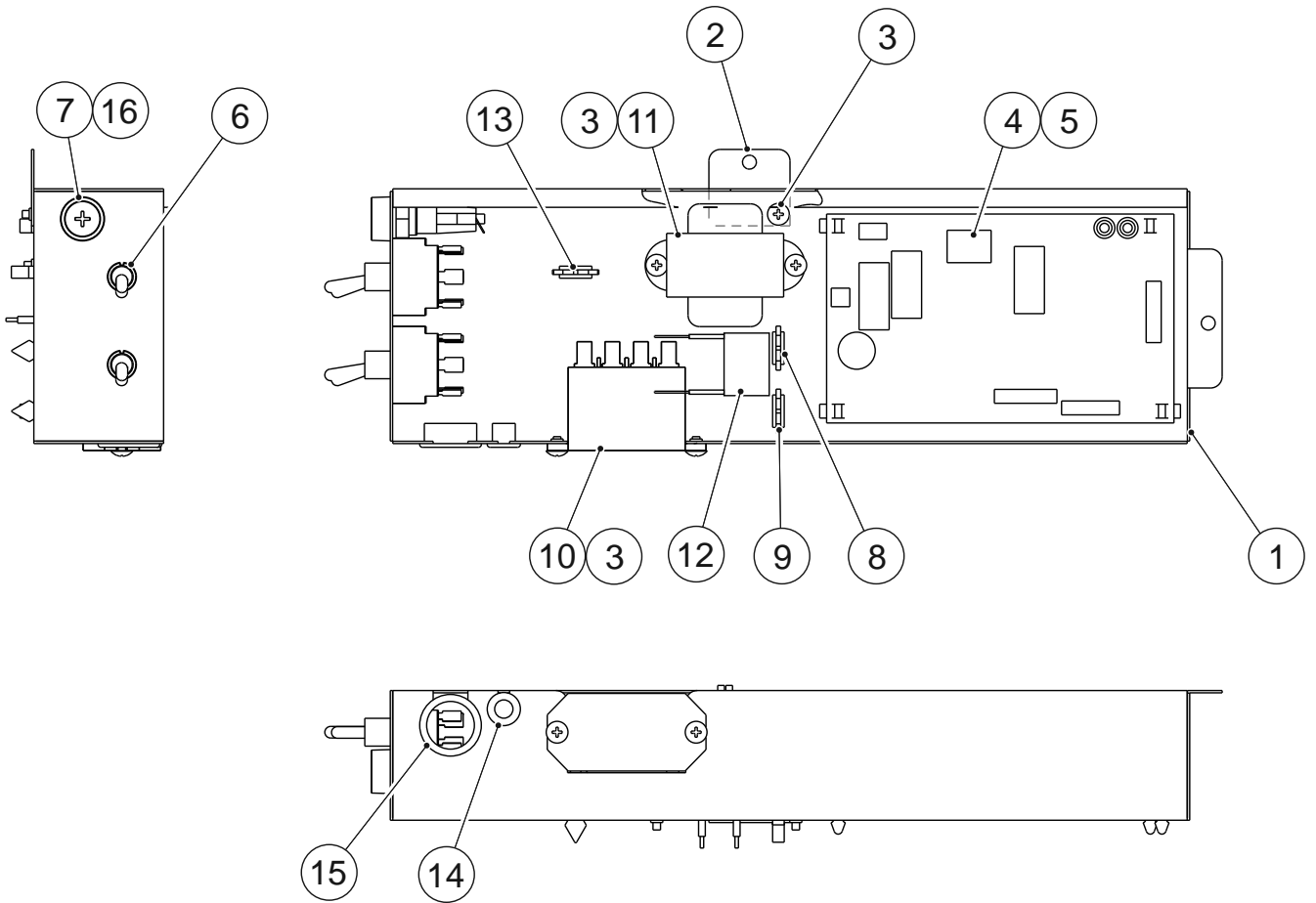
MODEL: KM-300BAJ		TITLE: B. REFRIGERATION CIRCUIT					
INDEX NO.	DESCRIPTION	MATERIAL OR MODEL NUMBER	PART NUMBER	REQ'D NUMBER			
				G-1 H-0	H-1		
34	COPPER TUBE (A5) - H		371212M08	1	1		
35	COPPER TUBE (A) - PROCCES		371212M09	1	1		
36	COPPER TUBE(A1) - H		472599M01	1	1		
37	PRESSURE SWITCH		463180-01	1	1		
38	COPPER TUBE (B) - H		472595M01	1	1		
39	HEAT EXCHANGER		270850G01	1	1		
40	COPPER TUBE (B) - L		472597M01	1	1		
41	TEE		420335-01	1	1		
42	COPPER TUBE (A) - L		472596M01	1	1		
43	EXP. VALVE	HFE-10NHD-6	P00826-01	1	1		
44	HEAT EXCHANGER		270858G01	1	1		
45	HOLDER-THERMISTOR		436455-01	1	1		
46	THERMISTOR		P00027-01	1	1		
47	HOLDER - EXPV		451267-01	1	1		
48	CLAMP		443461-01	1	1		
49	COPPER TUBE - HOT GAS		371216G01	1	1		
50	COPPER TUBE (A) - HOT GAS		371216M01	1	1		
51	COPPER TUBE (C) - HOT GAS		371216M02	1	1		
52	COPPER TUBE (B) - HOT GAS		371216M03	1	1		
53	INSULATION TUBE		H71020210	1	1		
54	COPPER TUBE - ACCESS VALVE		472598G02	1	1		
55	COPPER TUBE(A)-ACCESS VALVE		472602M01	1	1		
56	TEE - 6.4		417394-01	1	1		
57	COPPER TUBE (B) - PROCESS		472598M03	1	1		
58	ACCESS VALVE		457729-01	1	1		
59	INSULATION TUBE (A)		H73858200	1	1		
60	INSULATION TUBE		H71323140	1	1		
61	SEPARATOR		384672G03	1	1		
62	SEPARATOR		384672G04	1	1		
63	COVER (A) - EXPANSION VALVE		324313-01	1	1		
64	COVER (B) - EXPANSION VALVE		324313-02	1	1		
65	NYLON TIE	CV-200N,T50R	7920-0010	2	2		
66	PUSH MOUNT TIE		436156-01	1	1		
67	INSULATION TUBE		H71020050	1	1		

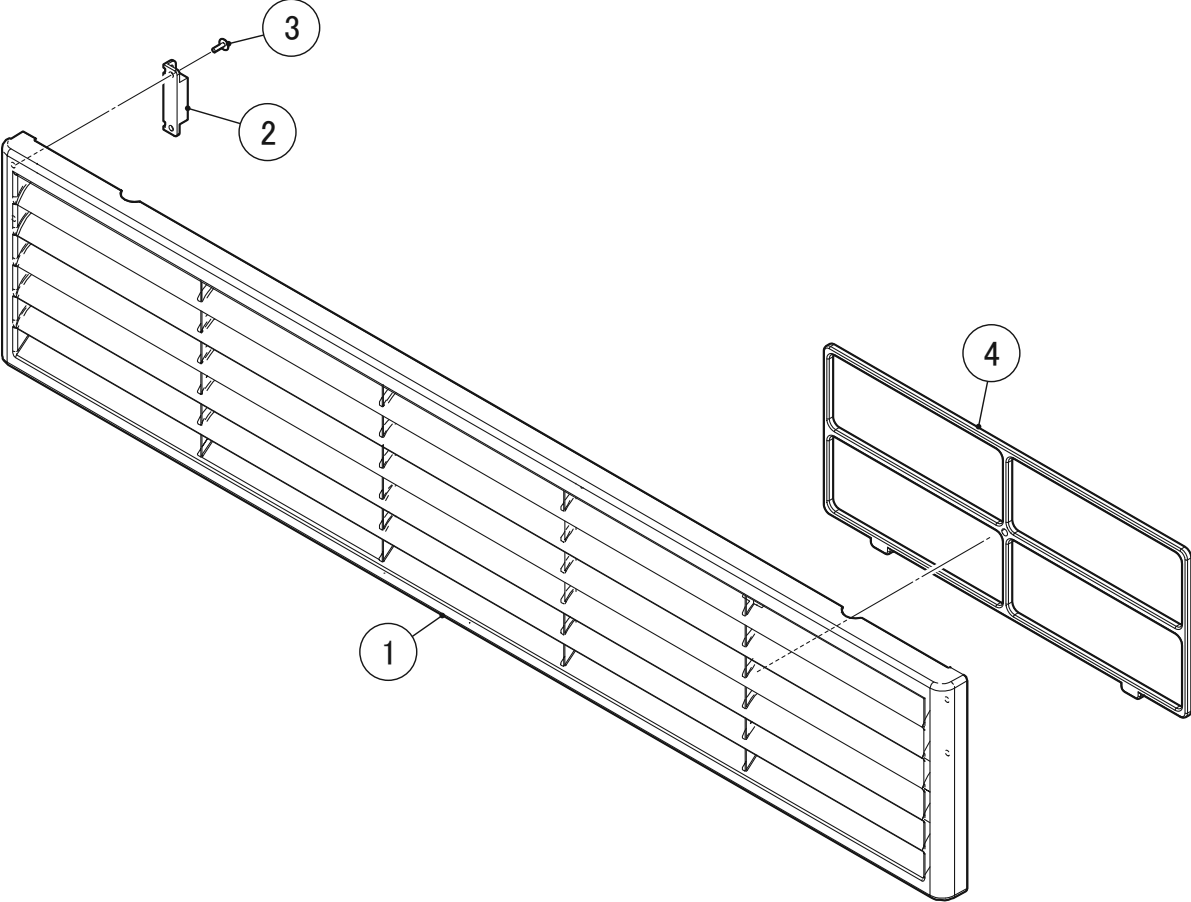


HA

MODEL: KM-300BAJ TITLE: C. WATER CIRCUIT - 260							
INDEX NO.	DESCRIPTION	MATERIAL OR MODEL NUMBER	PART NUMBER	REQ'D NUMBER			
				G-1 H-0	H-1		
1	TANK - 30		118840P01	1	1		
2	THUMBSCREW		415949G12	4	4		
3	CUBE GUIDE (A)		258598P01	2	2		
4	CUBE GUIDE (B)		2A3363-01	2	2		
5	HOOK (B) - TANK		371193M01	1	1		
6	HOOK (D) - TANK		371204M01	1	1		
7	TRUSS HEAD SCREW		FST0412S0	6	6		
8	BRACKET(A) - WATER VALVE		384384M01	1	1		
9	WATER VALVE		3U0150-01	1	1		
10	TRUSS HEAD SCREW		FST0408F0	9	9		
11	TRUSS HEAD SCREW		FST0408S0	3	3		
12	RUBBER GASKET		413854-03	1	1		
13	WATER SUPPLY PIPE		371230G01	1	1		
14	SPRAY GUIDE		118939P01	1	1		
15	WATER SUPPLY TUBE - 30		254949P01	1	1		
16	SPRAY TUBE - 30		254950P01	1	1		
17	PLUG		4A0176-01	1	1		
18	GROMMET (B)		472436R01	1	1		
19	WATER SUPPLY PIPE (A)		472438R01	1	1		
20	ELBOW		470303-01	1	1		
21	WATER SUPPLY PIPE (B)		472439R01	1	1		
22	PUMP MOTOR (G)		384346G01	1	1		
23	COVER - PUMP MOTOR		371173R01	1	1		
24	WATER SUPPLY PIPE (E)		472558R01	1	1		
25	WATER SUPPLY PIPE (F)		255236R01	1	1		
26	SOCKET		472564P01	1	1		
27	DRAIN VALVE (G)		384344G01	1	1		
28	BRACKET(B) - WATER VALVE		475117M01	1	1		
29	DRAIN PIPE		472441R01	1	1		
30	SI HOSE	$\phi 14 \times \phi 18 \times L30$	H11418030	1	1		
31	DRAIN PIPE (B)		472442P01	1	1		
32	FLOAT SWITCH	OLV-29Z-2P2	P00816-01	1	1		
33	INSULATION TUBE		H72030480	1	1		

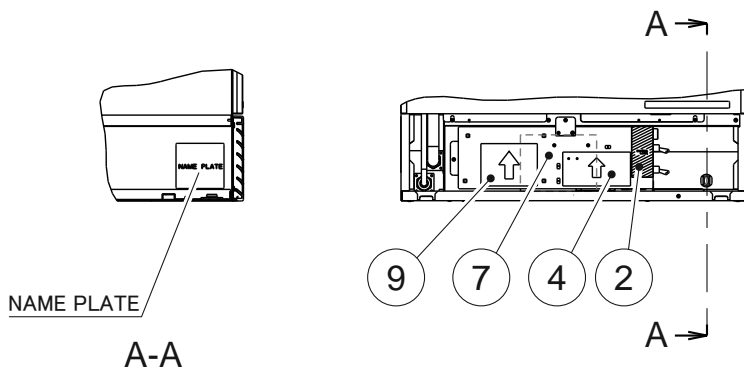
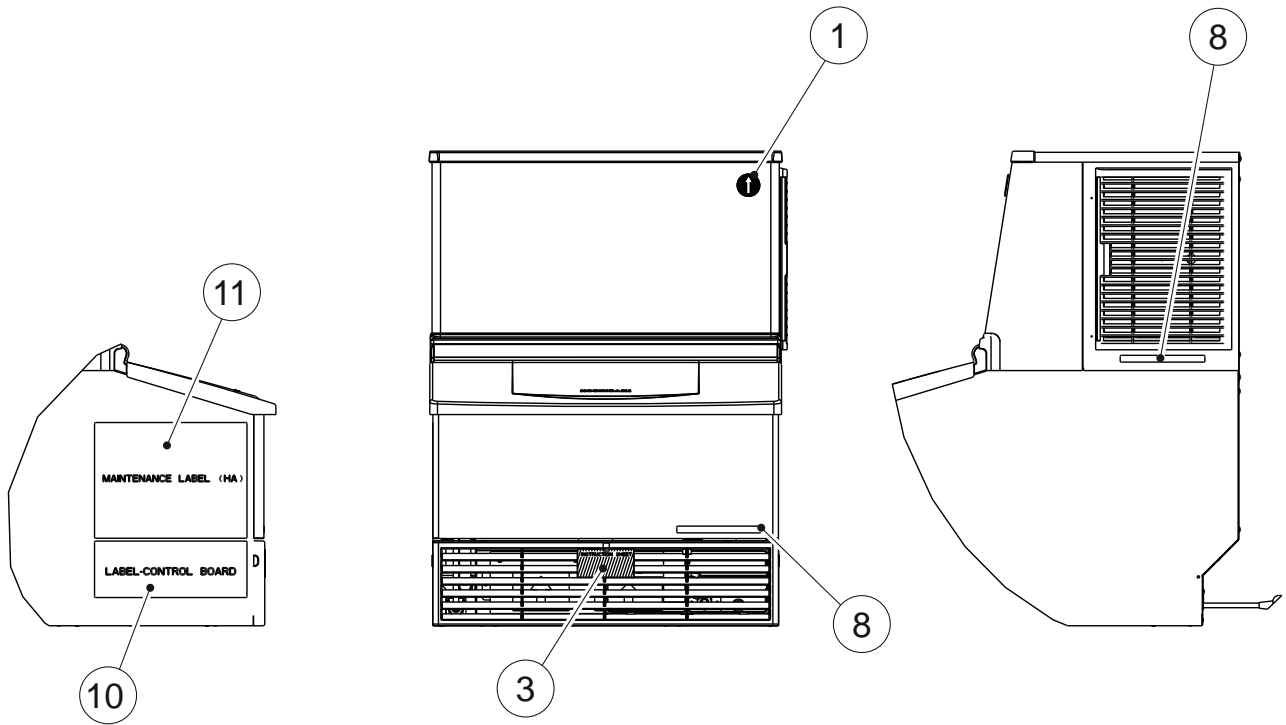
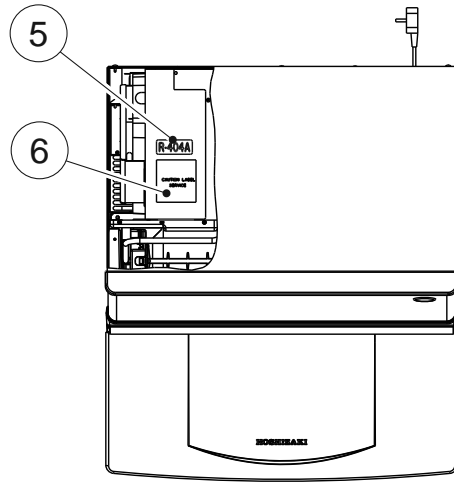


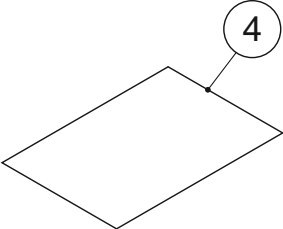
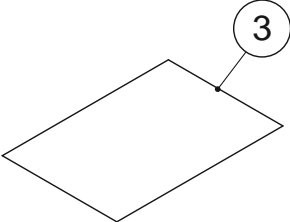
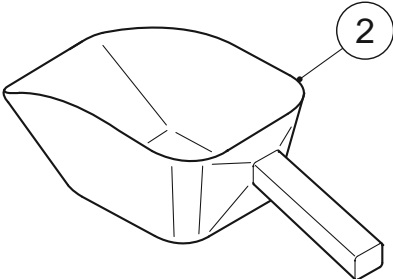
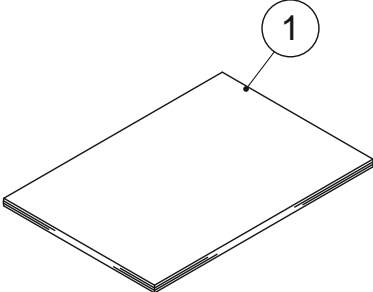
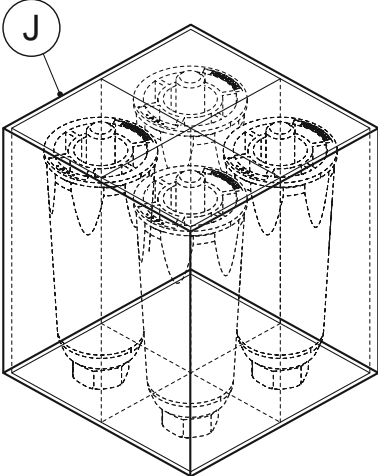


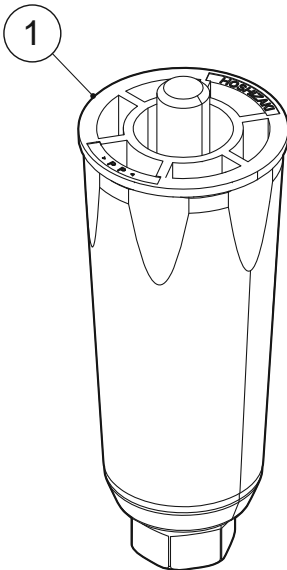


HA

MODEL: KM-300BAJ		TITLE: F. LOUVER ASSY - 30					
INDEX NO.	DESCRIPTION	MATERIAL OR MODEL NUMBER	PART NUMBER	REQ'D NUMBER			
				G-1 H-0	H-1		
1	LOUVER - 30		118899P01	1	1		
2	MAGNET CATCH	MC-110NF-GR	P01032-01	2	2		
3	T2 SCREW	SUS 3x8	FT20308M0	4	4		
4	AIR FILTER		371154G01	1	1		







HA

MODEL: KM-300BAJ TITLE: J. LEG SET - UNC							
INDEX NO.	DESCRIPTION	MATERIAL OR MODEL NUMBER	PART NUMBER	REQ'D NUMBER			
				G-1 H-0	H-1		
1	LEG-UNC		371053G01	4	4		