

Hoshizaki America, Inc.

Self-Contained Crescent Cuber

Models

KM-201BAH

KM-260BAH

KM-201BWH

KM-260BWH



“A Superior Degree
of Reliability”

www.hoshizaki.com

INSTRUCTION MANUAL



Issued: 1-15-2014

IMPORTANT

Only qualified service technicians should install and service the appliance. To obtain the name and phone number of your local Hoshizaki Certified Service Representative, visit www.hoshizaki.com. No installation or service should be undertaken until the technician has thoroughly read this Instruction Manual. Likewise, the owner/manager should not proceed to operate the appliance until the installer has instructed them on its proper operation. Failure to install, operate, and maintain the appliance in accordance with this manual will adversely affect safety, performance, component life, and warranty coverage and may result in costly water damage. Proper installation is the responsibility of the installer. Product failure or property damage due to improper installation is not covered under warranty.

Hoshizaki provides this manual primarily to assist qualified service technicians in the installation, maintenance, and service of the product.

Should the reader have any questions or concerns which have not been satisfactorily addressed, please call, write, or send an e-mail message to the Hoshizaki Technical Support Department for assistance.

HOSHIZAKI AMERICA, INC.
618 Highway 74 South
Peachtree City, GA 30269

Attn: Hoshizaki Technical Support Department

Phone: 1-800-233-1940 Technical Support
(770) 487-2331

Fax: 1-800-843-1056
(770) 487-3360

E-mail: techsupport@hoshizaki.com

Web Site: www.hoshizaki.com

NOTE: To expedite assistance, all correspondence/communication MUST include the following information:

- Model Number _____
- Serial Number _____
- Complete and detailed explanation of the problem.

IMPORTANT

This manual should be read carefully before the appliance is installed and operated. Read the warnings and guidelines contained in this manual carefully as they provide essential information for the continued safe use and maintenance of the appliance. Retain this manual for any further reference that may be necessary.

CONTENTS	PAGE
Important Safety Information-----	3
I. Specifications -----	5
A. Electrical and Refrigerant Data -----	5
B. Dimensions/Connections-----	6
1. KM-201BAH -----	6
2. KM-260BAH -----	7
3. KM-201BWH -----	8
4. KM-260BWH -----	9
II. Installation and Operating Instructions-----	10
A. Checks Before Installation -----	10
B. How to Remove Louver-----	11
C. Location -----	11
D. Setup -----	12
E. Electrical Connection-----	13
F. Water Supply and Drain Connections -----	14
1. Icemaker -----	14
2. Water-Cooled Condenser -----	15
G. Final Checklist -----	18
H. Startup -----	19
III. Cleaning and Maintenance Instructions -----	20
A. Cleaning -----	20
1. Cleaning Procedure -----	21
2. Sanitizing Procedure - Following Cleaning Procedure -----	23
B. Maintenance-----	24
1. Exterior Panels -----	24
2. Storage Bin and Scoop-----	25
3. Air Filter-----	25
4. Condenser -----	25
C. Preparing the Icemaker for Periods of Non-Use -----	25
IV. Disposal-----	27

Important Safety Information

Throughout this manual, notices appear to bring your attention to situations which could result in death, serious injury, damage to the appliance, or damage to property.

⚠ WARNING Indicates a hazardous situation which could result in death or serious injury.

NOTICE Indicates a situation which could result in damage to the appliance or property.

IMPORTANT Indicates important information about the installation, use, and care of the appliance.

⚠ WARNING

The appliance should be destined only to the use for which it has been expressly conceived. Any other use should be considered improper and therefore dangerous. The manufacturer cannot be held responsible for injury or damage resulting from improper, incorrect, and unreasonable use. Failure to install, operate, and maintain the appliance in accordance with this manual will adversely affect safety, performance, component life, and warranty coverage and may result in costly water damage.

To reduce the risk of death, electric shock, serious injury, or fire, follow basic precautions including the following:

- Only qualified service technicians should install and service the appliance.
- The appliance must be installed in accordance with applicable national, state, and local codes and regulations.
- The appliance requires an independent power supply of proper capacity. See the nameplate for electrical specifications. Failure to use an independent power supply of proper capacity can result in a tripped breaker, blown fuse, damage to existing wiring, or component failure. This could lead to heat generation or fire.
- **THE APPLIANCE MUST BE GROUNDED:** The appliance is equipped with a NEMA 5-15 three-prong grounding plug to reduce the risk of potential shock hazards. It must be plugged into a properly grounded, independent 3-prong wall outlet. If the outlet is a 2-prong outlet, it is your personal responsibility to have a qualified electrician replace it with a properly grounded, independent 3-prong wall outlet. Do not remove the ground prong from the power cord and do not use an adapter plug. Failure to properly ground the appliance could result in death or serious injury.
- Do not use an extension cord.
- To reduce the risk of electric shock, do not touch the control switch or plug with damp hands. Make sure the control switch is in the "OFF" position before plugging in or unplugging the appliance.
- Do not use an appliance with a damaged power cord. The power cord should not be altered, jerked, bundled, weighed down, pinched, or tangled. Such actions could result in electric shock or fire. To unplug the appliance, be sure to pull the plug, not the cord, and do not jerk the cord.
- Do not make any alterations to the appliance. Alterations could result in electric shock, injury, fire, or damage to the appliance.

⚠ WARNING, continued

- The appliance is not intended for use by persons (including children) with reduced physical, sensory, or mental capabilities, or lack of experience and knowledge, unless they have been given supervision or instruction concerning use of the appliance by a person responsible for their safety.
- Young children should be properly supervised around the appliance.
- Do not climb, stand, or hang on the appliance or appliance door or allow children or animals to do so. Serious injury could occur or the appliance could be damaged.
- Be careful not to pinch fingers when opening and closing the door. Be careful when opening and closing the door when children are in the area.
- Do not use combustible spray or place volatile or flammable substances near the appliance. They might catch fire.
- Keep the area around the appliance clean. Dirt, dust, or insects in the appliance could cause harm to individuals or damage to the appliance.

NOTICE

- Protect the floor when moving the appliance to prevent damage to the floor.
- Follow the water supply, drain connection, and maintenance instructions carefully to reduce the risk of costly water damage.
- In areas where water damage is a concern, install in a contained area with a floor drain.
- Install the appliance in a location that stays above freezing. Normal operating ambient temperature must be within 45°F to 100°F (7°C to 38°C).
- If water collects in the bin and will not drain, turn off the appliance and close the water supply line shut-off valve. Call for service
- Do not leave the appliance on during extended periods of non-use, extended absences, or in sub-freezing temperatures. To properly prepare the appliance for these occasions, follow the instructions in “V. Preparing the Appliance for Periods of Non-Use.”
- Keep ventilation openings, in the appliance enclosure or in the built-in structure, clear of obstruction.
- Do not place objects on top of the appliance.
- The storage bin is for ice use only. Do not store anything else in the storage bin.

I. Specifications

A. Electrical and Refrigerant Data

The nameplate provides electrical and refrigerant data. The nameplate is located inside the bottom front of the right side panel (behind the louver). For certification marks, see the nameplate.

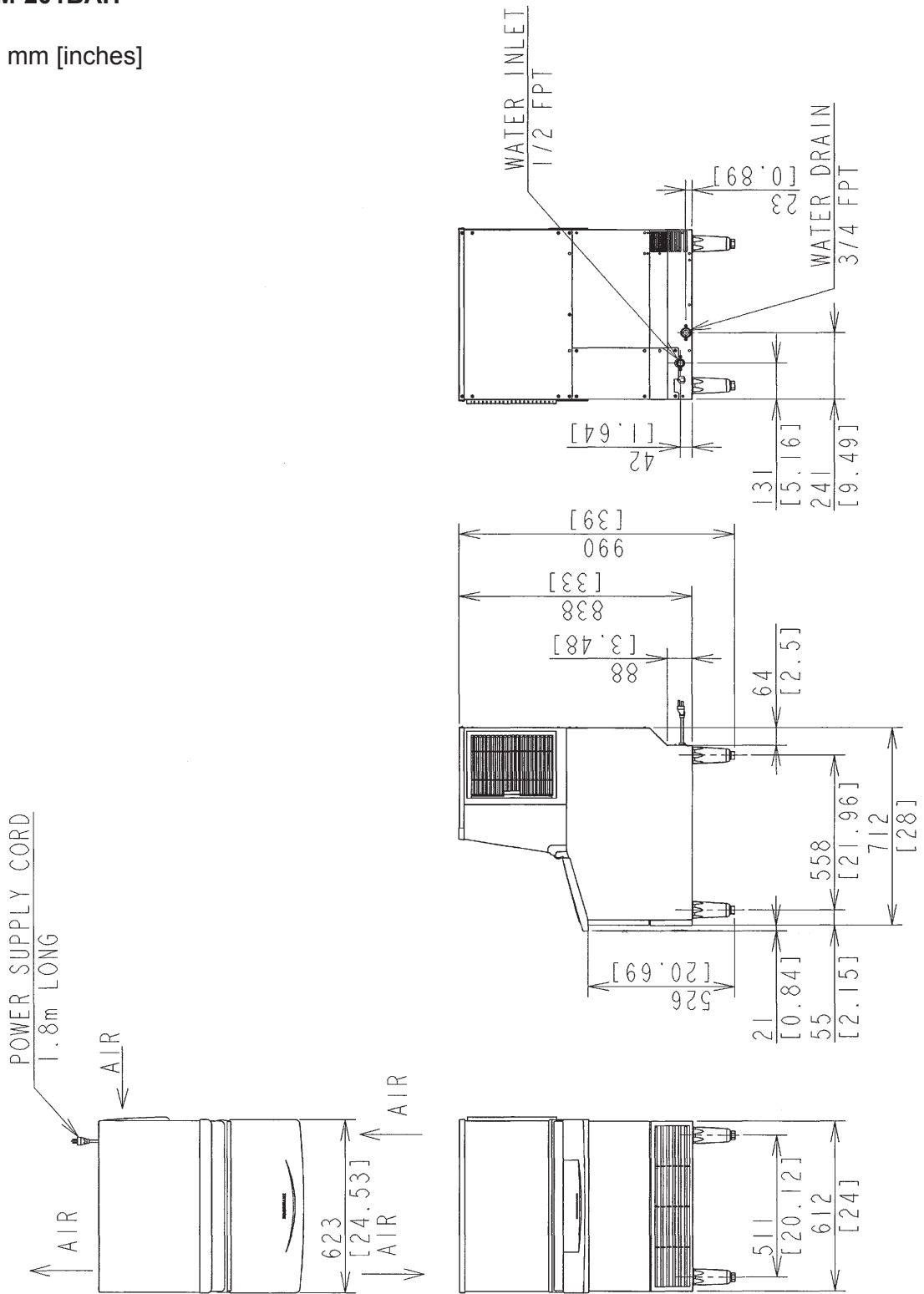
We reserve the right to make changes in specifications and design without prior notice.

Model Number	KM-201BAH	KM-260BAH	KM-201BWH	KM-260BWH
AC Supply Voltage	115/60/1	115/60/1	115/60/1	115/60/1
Amperes	6.1 AMPS	7.6 AMPS	5.4 AMPS	7.1 AMPS
Design Pressure	HI-467PSI LO-230PSI	HI-467PSI LO-230PSI	HI-467PSI LO-230PSI	HI-467PSI LO-230PSI
Refrigerant	R404A 12.0 oz.	R404A 12.7 oz.	R404A 9.9 oz.	R404A 12.7 oz.

B. Dimensions/Connections

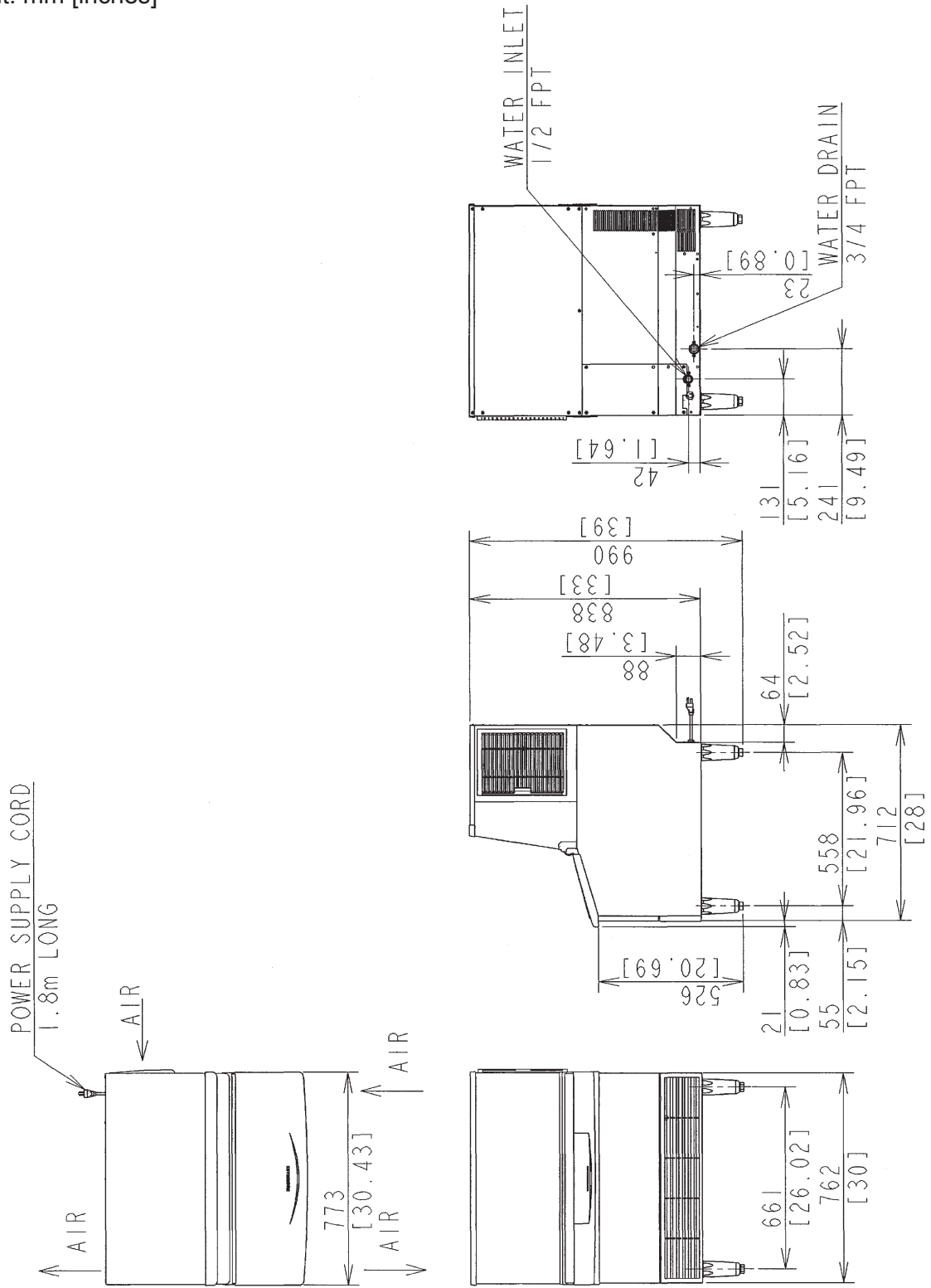
1. KM-201BAH

Unit: mm [inches]



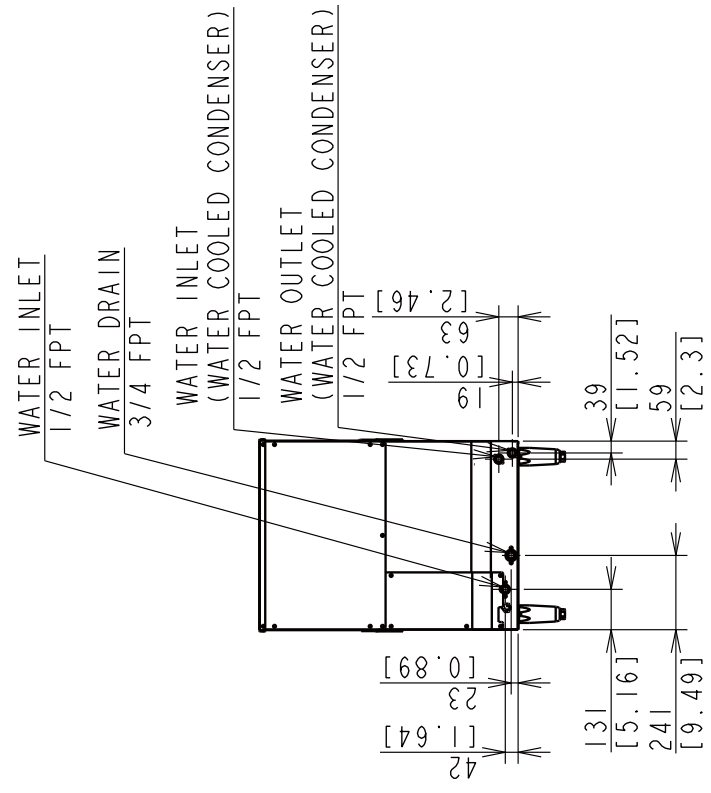
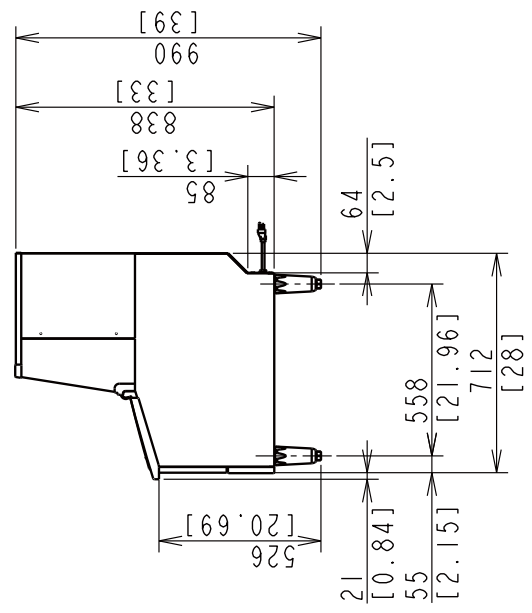
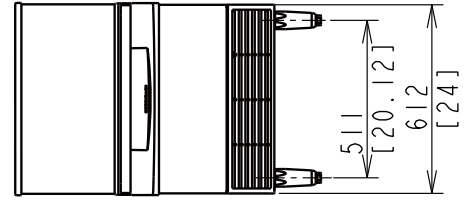
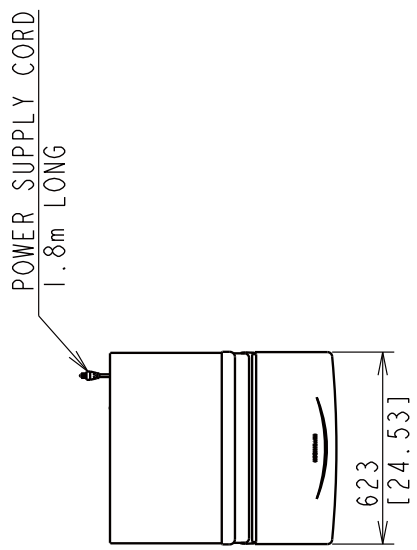
2. KM-260BAH

Unit: mm [inches]



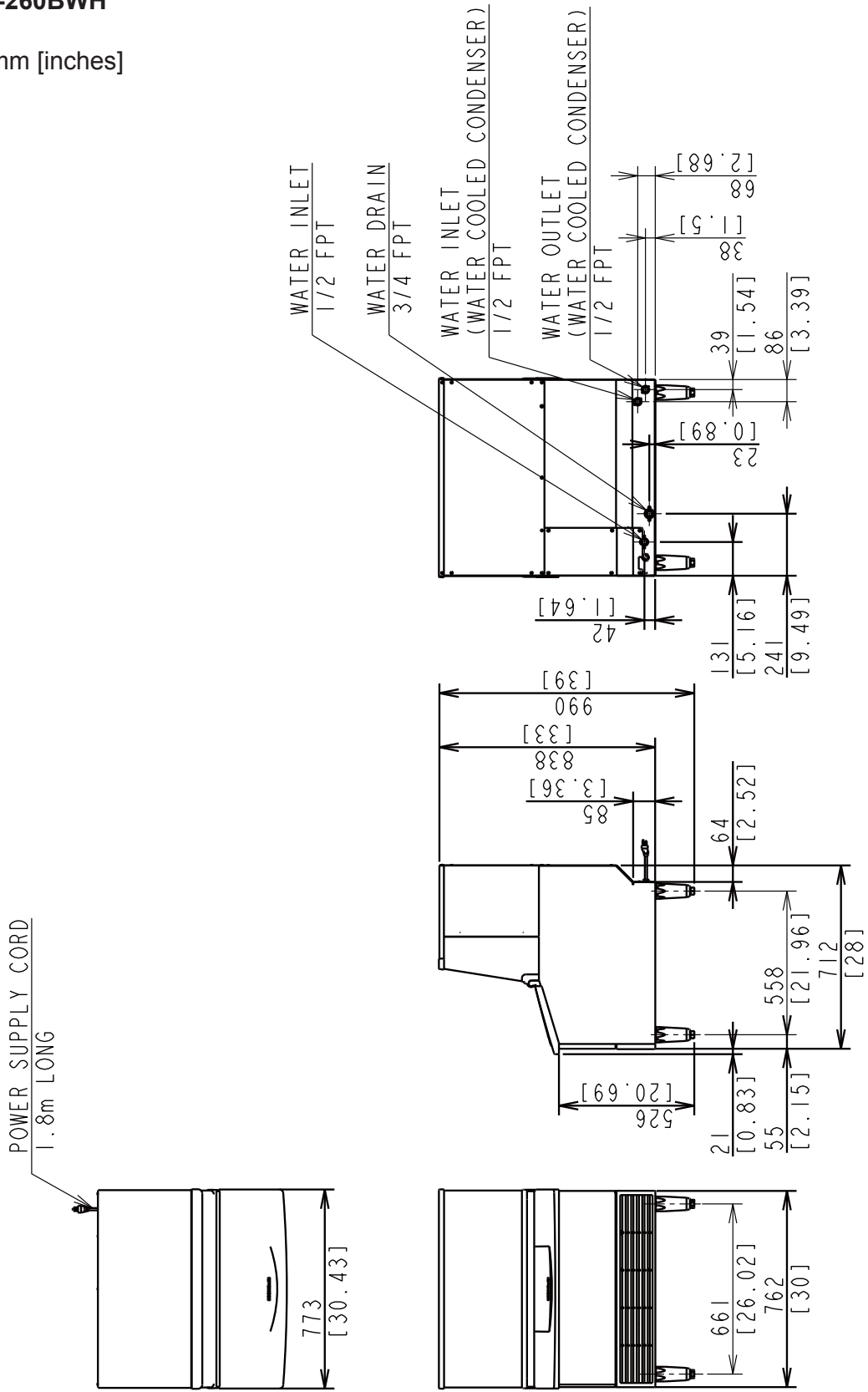
3. KM-201BWH

Unit: mm [inches]



4. KM-260BWH

Unit: mm [inches]



II. Installation and Operating Instructions

WARNING

- Install in accordance with all applicable national, state, and local codes and regulations.
- **CHOKING HAZARD:** Ensure all components, fasteners, and thumbscrews are securely in place after installation. Make sure that none have fallen into the storage bin.

A. Checks Before Installation

NOTICE

- Remove all shipping cartons, tape, and packing material. If any are left in the icemaker, it will not work properly.
 - Remove the shipping tapes holding the door and separator. See Fig. 1.
-
- Visually inspect the exterior of the shipping container and immediately report any damage to the carrier. Upon opening the container, any concealed damage should also be immediately reported to the carrier.
 - Remove the package containing the accessories.
 - Remove the protective plastic film from the panels. If the icemaker is exposed to the sun or to heat, remove the film after the icemaker cools.
 - Check that refrigerant lines do not rub or touch lines or other surfaces, and that the fan blade turns freely.
 - Check that the compressor is snug on all mounting pads.
 - See the nameplate inside the bottom front of the right side panel (behind the louver), and check that your voltage supplied corresponds with the voltage specified on the nameplate.

B. How to Remove Louver - See Fig. 1

- Louver: Pull the top towards you, and lift off when the magnet catches come off the body.

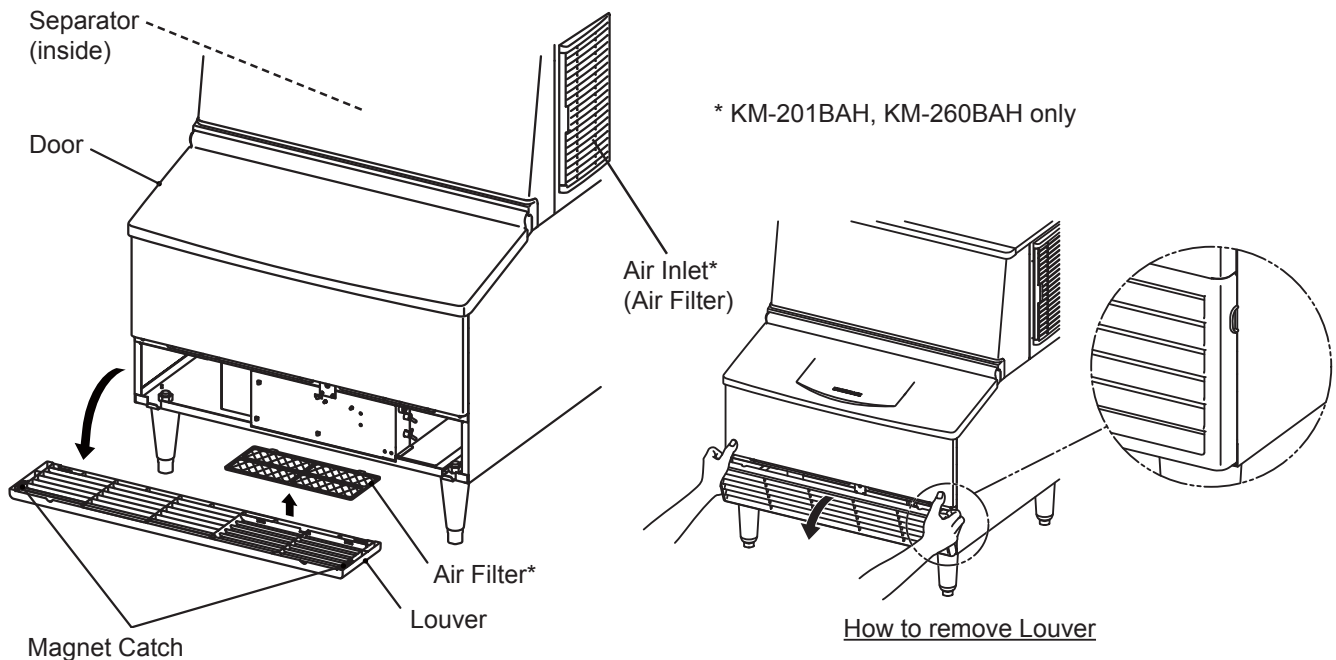


Fig. 1

C. Location

NOTICE

- This icemaker is not intended for outdoor use. Normal operating ambient temperature should be within 45°F to 100°F (7°C to 38°C); Normal operating water temperature should be within 45°F to 90°F (7°C to 32°C). Operation of the icemaker, for extended periods, outside of these normal temperature ranges may affect icemaker performance.
- This icemaker will not work at sub-freezing temperatures. To prevent damage to the water supply line, drain the icemaker when the air temperature is below 32°F (0°C). See "III. C. Preparing the Icemaker for Periods of Non-Use."

For best operating results:

- Icemaker should not be located next to ovens, grills, or other high heat producing equipment.
- In areas where water damage is a concern, install in a contained area with a floor drain.

- Allow at least 2" (5 cm) clearance at the right side for proper air circulation and at least 0.6" (15 mm) clearance at top for ease of maintenance and/or service should they be required.
- Level the icemaker from side to side and front to rear by adjusting the legs. Location should provide a firm and level foundation for the equipment.

D. Setup

NOTICE

Do not place heavy objects exceeding 33 lbs (15 kg) on the top panel.

- 1) Unpack the icemaker, and remove all shipping cartons, tape, and packing material BEFORE operating the unit.
- 2) Position the icemaker in a selected site.
- 3) Level the icemaker in both the left-to-right and the front-to-rear directions (when installed with or without legs). See Fig. 2.
- 4) When installing the unit without legs, the perimeter where the machine touches the counter should be sealed with silicone to prevent water from leaking under the icemaker.
- 5) When installing the unit with legs on the bottom, use the four accessory legs adjustable from 6" (15.2 cm) to 7" (17.8 cm). Screw the legs tightly into the tapped holes in the base (see Fig. 3). Handle the icemaker carefully not to damage the exterior.

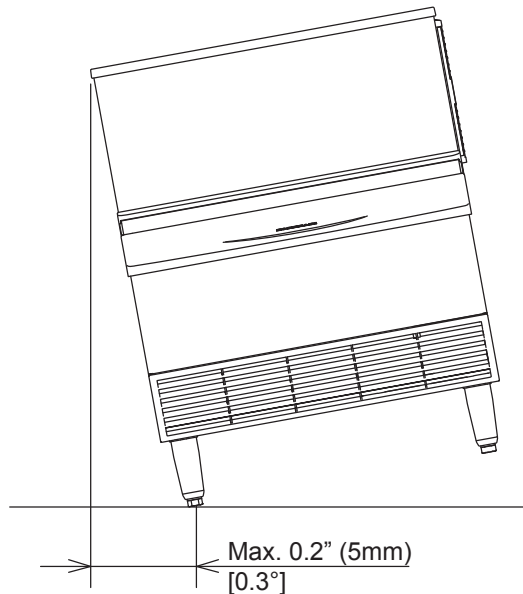


Fig. 2

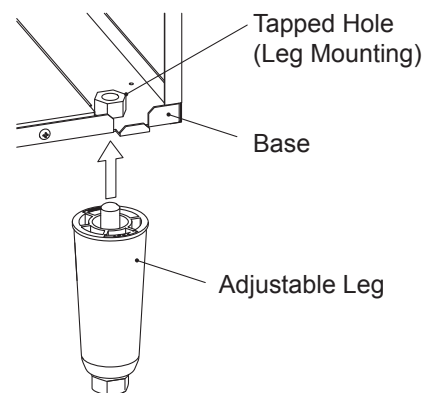


Fig. 3

E. Electrical Connection

WARNING

- Electrical connection must meet national, state, and local electrical code requirements. Failure to meet these code requirements could result in death, electric shock, serious injury, fire, or damage.
 - The appliance requires an independent power supply of proper capacity. See the nameplate for electrical specifications. Failure to use an independent power supply of proper capacity can result in a tripped breaker, blown fuse, damage to existing wiring, or component failure. This could lead to heat generation or fire.
 - **THE APPLIANCE MUST BE GROUNDED:** The appliance is equipped with a NEMA 5-15 three-prong grounding plug to reduce the risk of potential shock hazards. It must be plugged into a properly grounded, independent 3-prong wall outlet. If the outlet is a 2-prong outlet, it is your personal responsibility to have a qualified electrician replace it with a properly grounded, independent 3-prong wall outlet. Do not remove the ground prong from the power cord and do not use an adapter plug. Failure to properly ground the appliance could result in death or serious injury.
 - Do not use an extension cord.
 - To reduce the risk of electric shock, do not touch the control switch or plug with damp hands. Make sure the control switch is in the “OFF” position before plugging in or unplugging the appliance.
 - Do not use an appliance with a damaged power cord. The power cord should not be altered, jerked, bundled, weighed down, pinched, or tangled. Such actions could result in electric shock or fire. To unplug the appliance, be sure to pull the plug, not the cord, and do not jerk the cord.
 - The GREEN ground wire in the factory-installed power cord is connected to the appliance. If it becomes necessary to remove or replace the power cord, be sure to connect the power cord’s ground wire to this screw upon reattachment.
- Usually an electrical permit and services of a licensed electrician are required.
 - The maximum allowable voltage variation is ± 10 percent of the nameplate rating.

F. Water Supply and Drain Connections - See Fig. 4, 5 or 6

WARNING

Water supply and drain connections must be installed in accordance with applicable national, state, and local regulations.

NOTICE

- Normal operating water temperature should be within 45°F to 90°F (7°C to 32°C). Operation of the appliance, for extended periods, outside of this normal temperature range may affect appliance performance.
 - Water supply pressure must be a minimum of 10 PSIG and a maximum of 113 PSIG. If the pressure exceeds 113 PSIG, the use of a pressure reducing valve is required.
 - To prevent damage to the appliance, do not operate the appliance when the water supply is off, or if the pressure is below 10 PSIG. Do not run the appliance until the proper water pressure is reached.
 - External filters, strainers, or softeners may be required depending on water quality. Contact your local Hoshizaki Certified Service Representative or local Hoshizaki distributor for recommendations.
- A plumbing permit and services of a licensed plumber may be required in some areas.
 - The icemaker drain line and water-cooled condenser drain line (if applicable) must be run separately.
 - Drain lines must have 1/4" fall per foot (2 cm per 1 m) on horizontal runs to get a good flow. A vented tee connection is also required for proper flow.
 - Drain lines should not be piped directly to the sewer system. An air gap of a minimum of 2 vertical inches (5 cm) should be between the end of the drain pipes from the icemaker and condensation drain, dispenser unit/ice storage bin, and water-cooled condenser (if applicable) and the floor drain.

1. Icemaker

Icemaker Water Supply Inlet	Minimum Icemaker Water Supply Line Size	Icemaker Drain Outlet	Minimum Icemaker Drain Line Size
1/2" Female Pipe Thread (FPT)	1/4" Nominal ID Copper Water Tubing or Equivalent	3/4" Female Pipe Thread (FPT)	3/4" Nominal ID Hard Pipe or Equivalent

- An icemaker water supply line shut-off valve and drain valve must be installed.

- Be sure there is sufficient extra water supply line and drain line for the appliance to be pulled out for service.

KM-201BAH
KM-260BAH

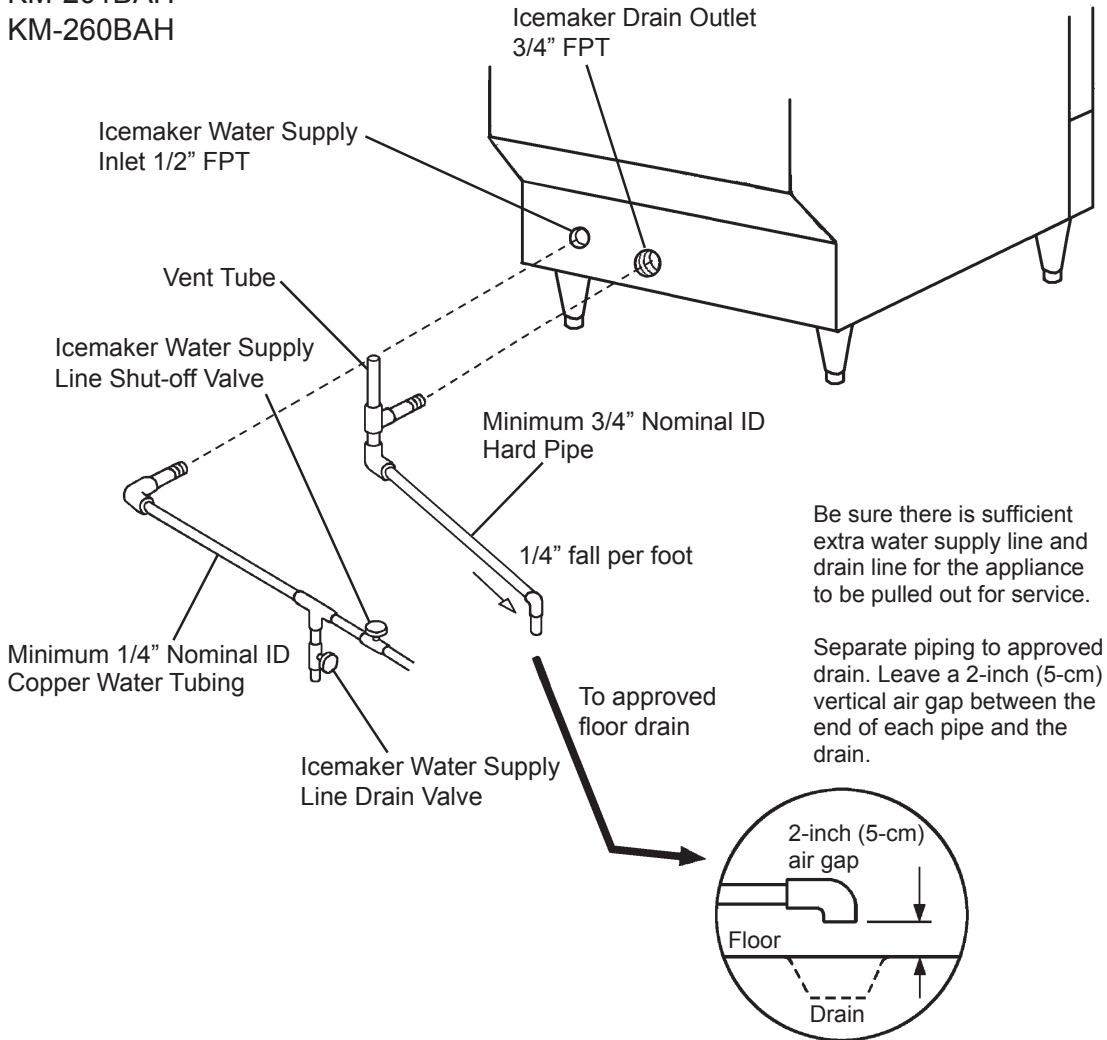


Fig. 4

2. Water-Cooled Condenser

a) Connection to an Open Drain System

Condenser Water Supply Inlet	Minimum Condenser Water Supply Line Size	Condenser Drain Outlet	Minimum Condenser Drain Line Size
1/2" Female Pipe Thread (FPT)	1/4" Nominal ID Copper Water Tubing or Equivalent	1/2" Female Pipe Thread (FPT)	1/4" Nominal ID Hard Pipe or Equivalent

- A condenser water supply line shut-off valve and drain valve must be installed.

- In some areas, a back flow preventer may be required in the cooling water circuit.
- In order to maintain the proper high side pressure, the condenser water supply inlet temperature must be in the 45°F to 90°F (7°C to 32°C) range.

KM-201BWH
KM-260BWH

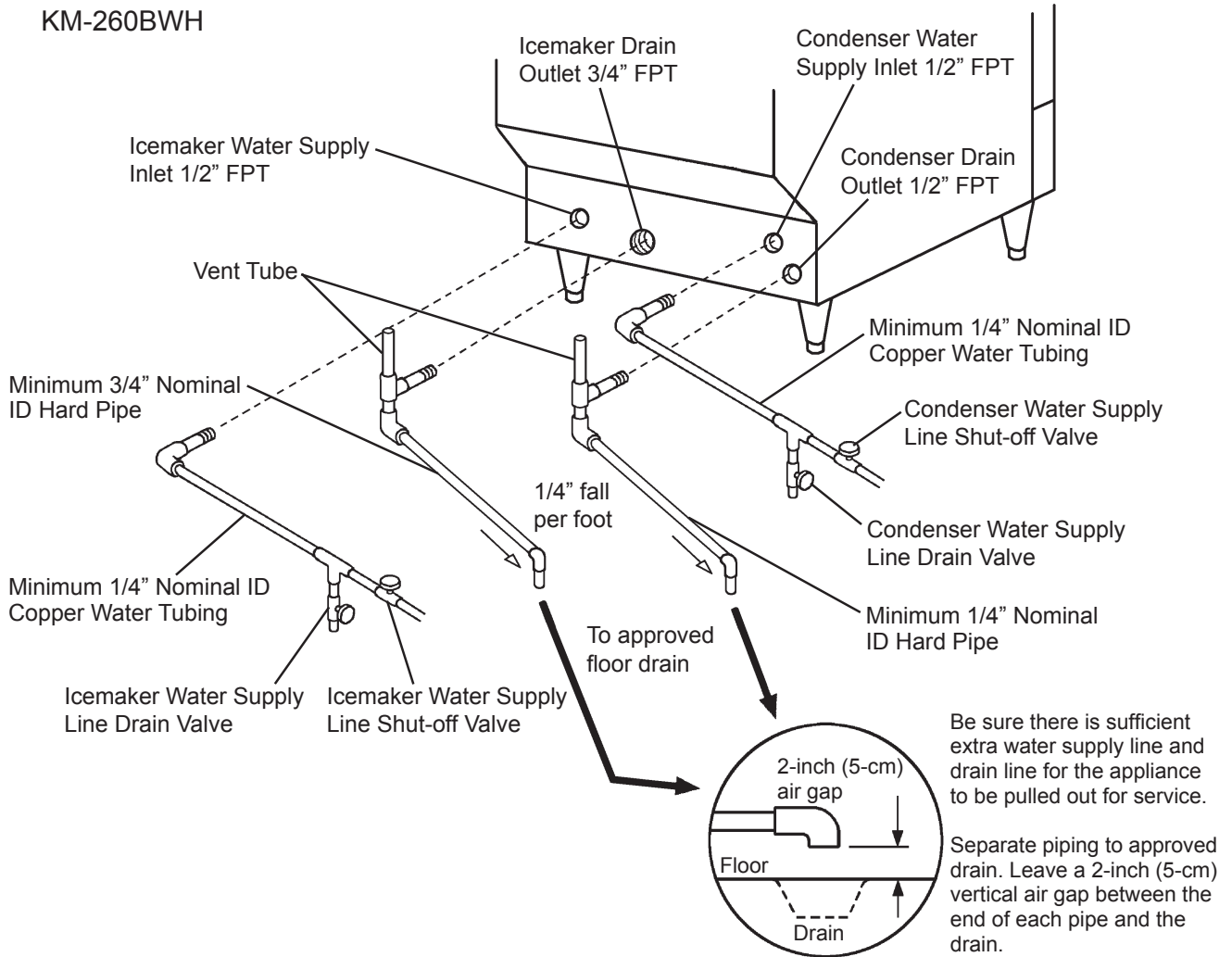


Fig. 5

b) Connection to a Closed Loop System

Condenser Water Supply Inlet	Minimum Condenser Water Supply Line Size	Condenser Return Outlet	Minimum Condenser Return Line Size
1/2" Female Pipe Thread (FPT)	1/4" Nominal ID Copper Water Tubing or Equivalent	1/2" Female Pipe Thread (FPT)	1/4" Nominal ID Copper Water Tubing or Equivalent

- Shut-off valves and drain valves must be installed at both the condenser water supply inlet and condenser return outlet.

- Minimum water flow to the condenser is 4 GPM.
- The pressure differential between the condenser water supply inlet and condenser return outlet must be no less than 10 PSIG.
- When using a glycol blend, the solution mixture should be less than 30% glycol.
- In order to maintain the proper high side pressure, the condenser water supply inlet temperature must be in the 45°F to 90°F (7°C to 32°C) range.

KM-201BWH
KM-260BWH

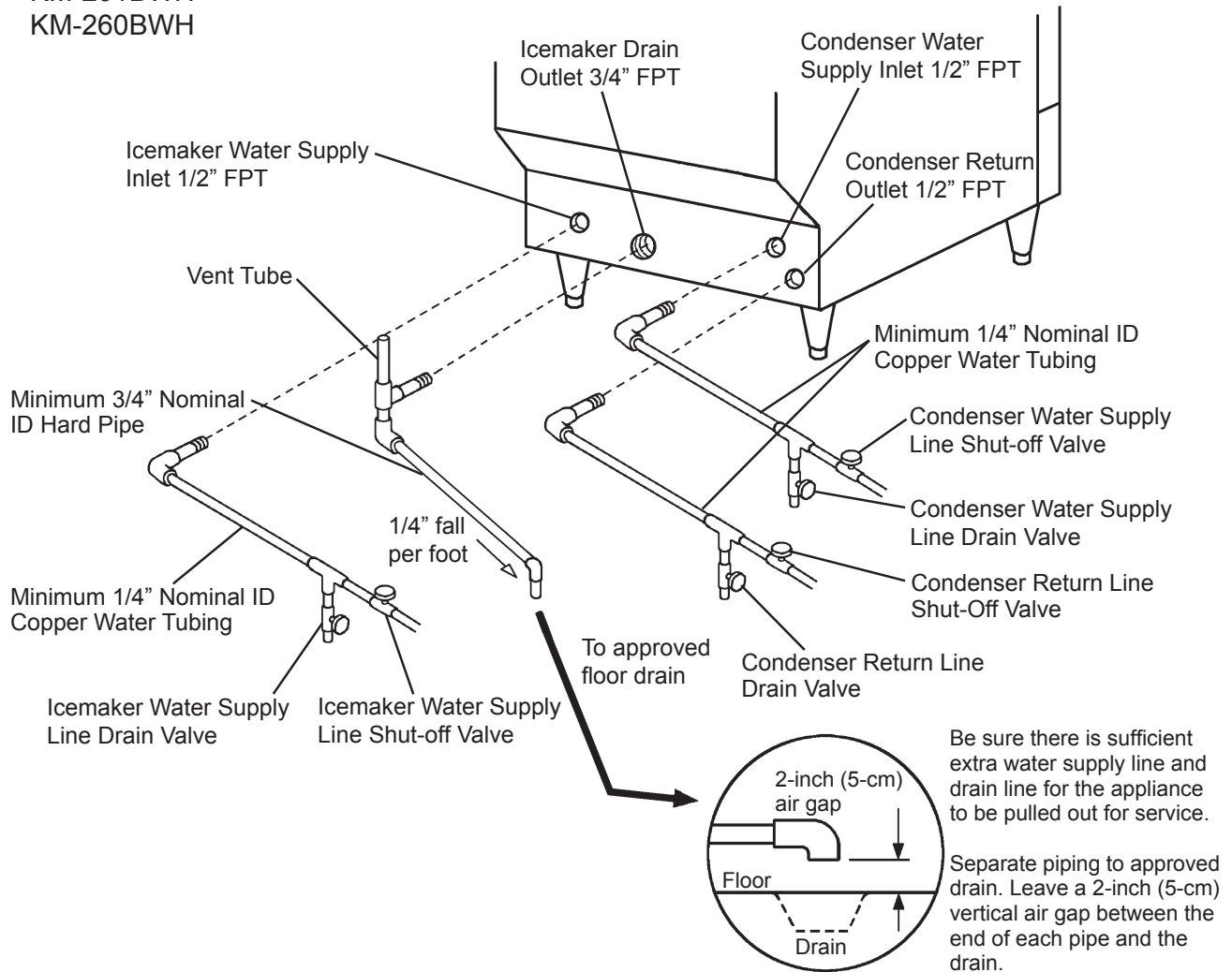


Fig. 6

G. Final Checklist

⚠ WARNING

CHOKING HAZARD: Ensure all components, fasteners, and thumbscrews are securely in place after installation. Make sure that none have fallen into the storage bin.
--

- 1) Is the icemaker level?
- 2) Is the icemaker in a site where the ambient temperature is within 45°F to 100°F (7°C to 38°C) and the water temperature within 45°F to 90°F (7°C to 32°C) all year around?
- 3) Is there at least 2" (5 cm) clearance at the right side for proper air circulation and at least 0.6" (15 mm) clearance at top for ease of maintenance and/or service?
- 4) Have all shipping cartons, tape, and packing material been removed from the icemaker? Are the cube guides in their correct positions?
- 5) Have all electrical and water connections been made? Do electrical and water connections meet all national, state, and local code and regulation requirements?
- 6) Has the power supply voltage been checked or tested against the nameplate rating? Is the power supply a properly grounded, independent 3-prong wall outlet?
- 7) Are the water supply and drain lines sized as specified? Are the water supply line shut-off valve(s) and drain valve(s) installed? Has the water supply pressure been checked to ensure a minimum of 10 PSIG and a maximum of 113 PSIG?
- 8) Is the compressor snug on all mounting pads? Have the refrigerant lines been checked to make sure they do not rub or touch other lines or surfaces? Has the fan blade (if applicable) been checked to make sure it turns freely?
- 9) Are all components, fasteners, and thumbscrews securely in place?
- 10) Has the end user been given the instruction manual, and instructed on how to operate the icemaker and the importance of the recommended periodic maintenance?
- 11) Has the end user been given the name and telephone number of an authorized service agent?
- 12) Has the warranty card been filled out and forwarded to the factory for warranty registration?

H. Startup

⚠ WARNING

All parts are factory-adjusted. Improper adjustments may adversely affect safety, performance, component life, and warranty coverage.

NOTICE

- If the unit is turned off, wait for at least 3 minutes before restarting the icemaker to prevent damage to the compressor.
- To prevent damage to the water pump, do not leave the control switch in the “SERVICE” position for extended periods of time when the water tank is empty.
- At startup, confirm that all internal and external connections are free of leaks.

- 1) Open the water supply line shut-off valve.
- 2) Remove the louver.
- 3) Make sure the control switch is in the “OFF” position. Plug the appliance into the electrical outlet. **WARNING! To reduce the risk of electric shock, do not touch the control switch or plug with damp hands.**
- 4) Move the control switch to the “ICE” position.
- 5) Allow the icemaker to operate for 5 minutes to fill up the water tank.
- 6) Move the control switch to the “SERVICE” position. Move the service switch to the “WASH” position.
- 7) Allow the icemaker to run for 5 minutes.
- 8) Move the service switch to the “DRAIN” position.
- 9) Allow the icemaker to drain for 2 minutes.
- 10) Move the control switch to the “OFF” position, then unplug the appliance from the electrical outlet.
- 11) Open the door.
- 12) Clean the storage bin using a neutral cleaner. Rinse thoroughly after cleaning.

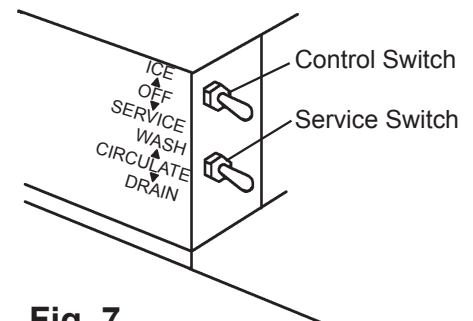
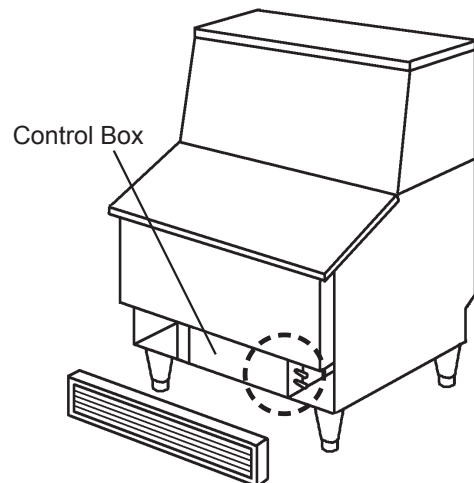


Fig. 7

- 13) Make sure the control switch is in the “OFF” position. Plug the appliance into the electrical outlet.
- 14) Move the control switch to the “ICE” position.
- 15) Replace the louver in its correct position.
- 16) To confirm bin control operation, press the bin control’s actuator paddle during the first 5 minutes of the freeze cycle. The compressor and fan motor (if applicable) should de-energize within 15 seconds, then the drain valve should energize until the water tank empties. After the water tank empties, the pump motor and drain valve should de-energize.
- 17) Close the door.

III. Cleaning and Maintenance Instructions

⚠ WARNING

<p>CHOKING HAZARD: Ensure all components, fasteners, and thumbscrews are securely in place after any cleaning or maintenance is done to the unit. Make sure that none have fallen into the storage bin.</p>
--

A. Cleaning

HOSHIZAKI recommends cleaning this unit at least once a year. More frequent cleaning, however, may be required in some existing water conditions.

⚠ WARNING

- | |
|--|
| <ul style="list-style-type: none"> • To prevent injury to individuals and damage to the icemaker, do not use ammonia type cleaners. • Carefully follow any instructions provided with the bottles of cleaning and sanitizing solution. • Always wear liquid-proof gloves to prevent the cleaning and sanitizing solutions from coming into contact with skin. |
|--|

NOTICE

<p>To prevent damage to the water pump, do not leave the control switch in the “SERVICE” position for extended periods of time when the water tank is empty.</p>
--

1. Cleaning Procedure

- 1) Dilute 5 fl. oz. (148 ml) of recommended cleaner Hoshizaki "Scale Away" with 1 gallon (3.8 lit.) of water.
- 2) Remove the louver. Open the door and remove all ice from the evaporator and the storage bin.

Note: To remove cubes on the evaporator, move the control switch on the control box to the "OFF" position and move it back to the "ICE" position after 3 minutes. The defrost cycle starts and the cubes will be removed from the evaporator.

- 3) Move the control switch to the "OFF" position.
- 4) Move the service switch to the "DRAIN" position, then move the control switch to the "SERVICE" position.
- 5) After 2 minutes, move the control switch to the "OFF" position.
- 6) Pour the cleaning solution into the water tank. Move the service switch to the "WASH" position, then move the control switch to the "SERVICE" position.
- 7) After 30 minutes, move the control switch to the "OFF" position.
- 8) Move the service switch to the "DRAIN" position, then move the control switch to the "SERVICE" position.
- 9) Move the control switch to the "ICE" position to fill the water tank with water.
- 10) After 3 minutes, move the service switch to the "WASH" position, then move the control switch to the "SERVICE" position.
- 11) After 5 minutes, move the control switch to the "OFF" position.
- 12) Move the service switch to the "DRAIN" position, then move the control switch to the "SERVICE" position.
- 13) Repeat steps 9 through 12 three more times to rinse thoroughly.
- 14) Disconnect the overflow pipe. Next, remove the water tank by removing the two thumbscrews and pulling the tank towards you slightly and pushing it down. Be careful to avoid breakage when handling the parts. See Fig. 8.
- 15) Pull the cube guides (quantity varies depending on model) upward to remove them from the water tank. They are snapped in place. See Fig. 9.

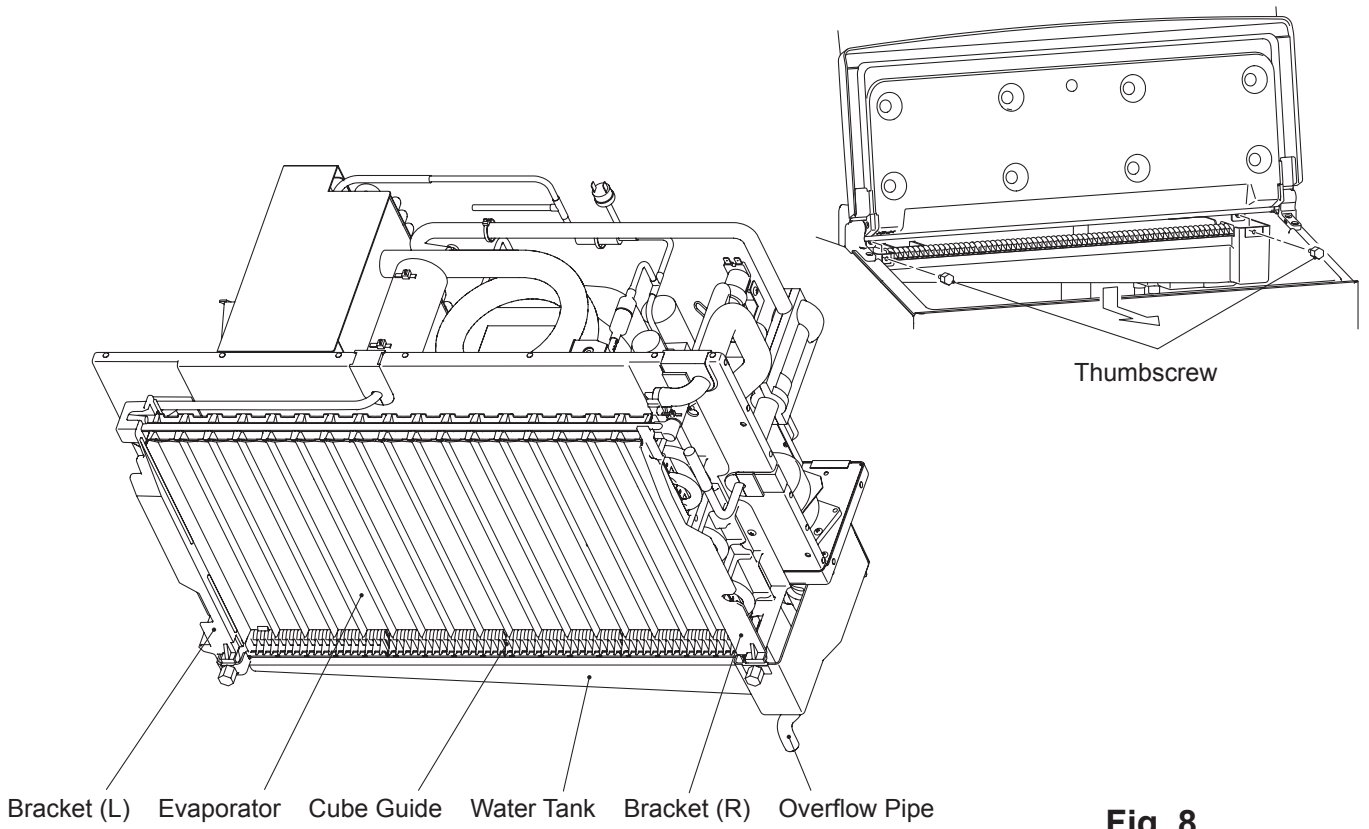


Fig. 8

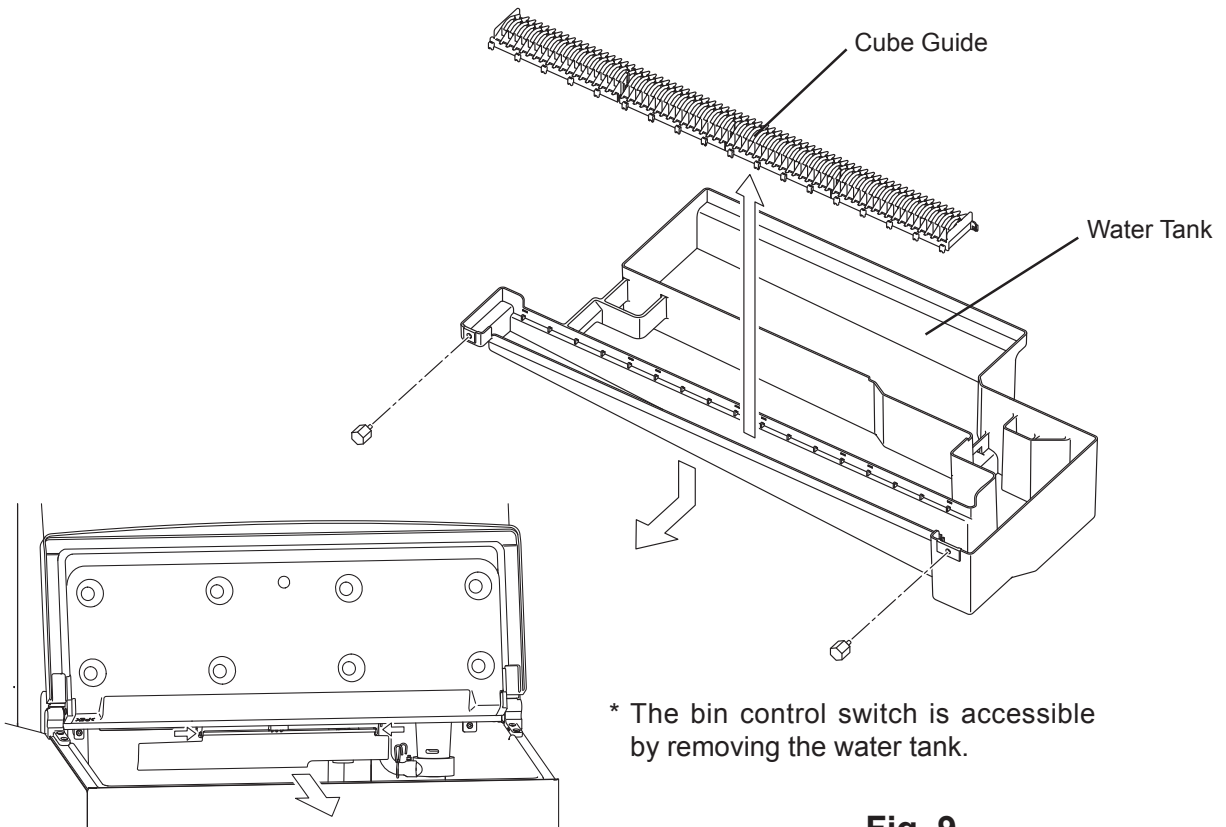


Fig. 9

- 16) Dilute 5 fl. oz. (148 ml) of recommended cleaner Hoshizaki “Scale Away” with 1 gallon (3.8 lit.) of water.
- 17) Wash the bin control switch, water tank, float switch (see Fig. 10), cube guide and overflow pipe by using a nylon scouring pad, brushes and the cleaning solution. In addition to the removed parts, also wash the bin liner and bracket (L) (R) with the solution.
- 18) Discard the cleaning solution and rinse the parts thoroughly with water.

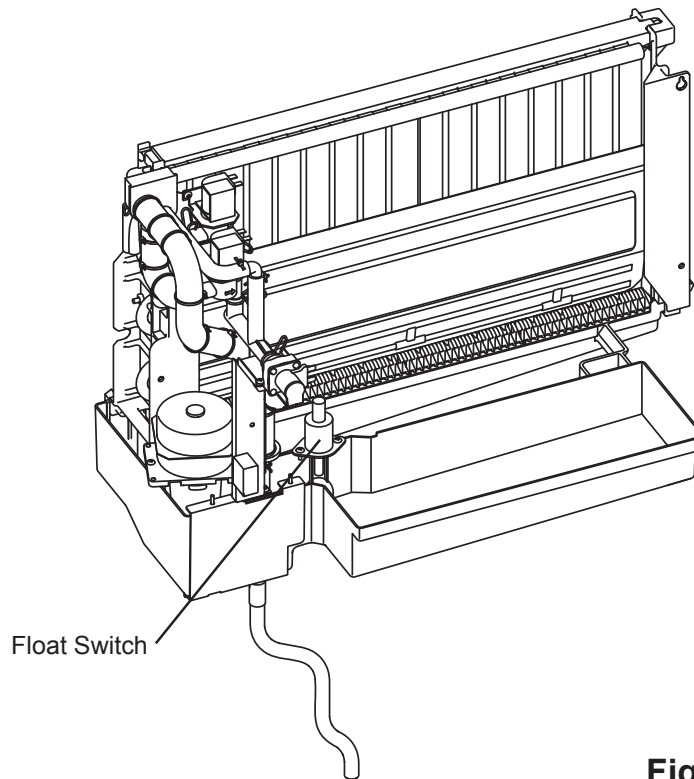


Fig. 10

2. Sanitizing Procedure - Following Cleaning Procedure

- 1) Dilute approximately 0.5 fl. oz. (15 ml or 1 tbs) of a 5.25% sodium hypochlorite solution (chlorine bleach) with 1 gallon (3.8 lit.) of warm water. Using a chlorine test strip or other method, confirm that you have a concentration of about 200 ppm.
- 2) Soak the removed parts from step 17 above in a clean container containing the sanitizing solution. After allowing the parts to soak for 10 minutes, wash them with the solution. Also wash the bin liner, bracket (L) (R) with the solution.
- 3) Discard the sanitizing solution and rinse the parts thoroughly with water.
- 4) Replace the removed parts in their correct positions in the reverse order of which they were removed.

- 5) Dilute approximately 0.5 fl. oz. (15 ml or 1 tbs) of a 5.25% sodium hypochlorite solution (chlorine bleach) with 1 gallon (3.8 lit.) of warm water. Using a chlorine test strip or other method, confirm that you have a concentration of about 200 ppm.
- 6) Pour the sanitizing solution into the water tank, and allow the sanitizer to sit for 10 minutes.
- 7) Move the service switch to the “WASH” position, then move the control switch to the “SERVICE” position.
- 8) After 15 minutes, move the control switch to the “OFF” position.
- 9) Move the service switch to the “DRAIN” position, then move the control switch to the “SERVICE” position.
- 10) After 2 minutes, move the control switch to the “OFF” position.
- 11) Repeat steps 5 through 10 one time. Repeat steps 9 through 12 in the Cleaning Procedure three times to rinse thoroughly.
- 12) Flush the storage bin with water.
- 13) Move the control switch to the “ICE” position to start the automatic icemaking process.
- 14) Close the door. Replace the louver in its correct position.

B. Maintenance

This icemaker must be maintained individually, referring to the instruction manual and labels provided with the icemaker.

 WARNING
<ul style="list-style-type: none">• Only qualified service technicians should service this icemaker.• Move the control switch to the “OFF” position, then unplug the appliance from the electrical outlet before servicing.

1. Stainless Steel Exterior

To prevent corrosion, wipe the exterior occasionally with a clean, soft cloth. Use a damp cloth containing a neutral cleaner to wipe off oil or dirt build up.

2. Storage Bin and Scoop

- Wash your hands before removing ice. Use the plastic scoop provided (accessory).
- The storage bin is for ice use only. Do not store anything else in the storage bin.
- Clean the scoop and the storage bin liner using a neutral cleaner. Rinse thoroughly after cleaning.

3. Air Filters (air-cooled model only)

Plastic mesh air filters remove dirt and dust from the air, and keep the condenser from getting clogged. As the filters get clogged, the icemaker's performance will be reduced. Check the filters at least twice a month. When clogged, use warm water and a neutral cleaner to wash the filters.

4. Condenser (air-cooled model only)

Check the condenser once a year, and clean if required by using a brush or vacuum cleaner. More frequent cleaning may be required depending on the location.

C. Preparing the Icemaker for Periods of Non-Use

<i>NOTICE</i>
<ul style="list-style-type: none">• During extended periods of non-use, extended absences, or in sub-freezing temperatures, follow the instructions below to reduce the risk of costly water damage.• To prevent damage to the water pump, do not leave the control switch in the "SERVICE" position for extended periods of time when the water tank is empty.

During extended periods of non-use, extended absences, or in sub-freezing temperatures, follow the instructions below. When the appliance is not used for two or three days under normal conditions, it is sufficient to move the control switch to the "OFF" position.

1. Remove the water from the icemaker water supply line:

- 1) Remove the louver if it has not already been removed.
- 2) Move the control switch on the control box to the "OFF" position.
- 3) Wait 3 minutes.

- 4) Close the icemaker water supply line shut-off valve and open the icemaker water supply line drain valve. See Fig. 4, 5 or 6.
- 5) Allow the line to drain by gravity.
- 6) Attach compressed air or carbon dioxide supply to the icemaker water supply line drain valve.
- 7) Move the control switch to the "ICE" position.
- 8) Quickly blow the icemaker water supply line out using compressed air or carbon dioxide.

2. Drain the water tank:

- 1) Move the service switch to the "DRAIN" position, then move the control switch to the "SERVICE" position.
- 2) After 2 minutes, move the control switch to the "OFF" position. Unplug the appliance from the electrical outlet.
- 3) Open the door. Remove all ice from the storage bin and clean the storage bin.
- 4) Close the door.
- 5) Replace the louver in its correct position.
- 6) Close the icemaker water supply line drain valve.

3. On water-cooled model only, remove the water from the water-cooled condenser:

- 1) Make sure the control switch is in the "OFF" position and the appliance is unplugged from the electrical outlet.
- 2) Remove the top and left side panels.
- 3) Close the condenser water supply line shut-off valve. If connected to a closed loop system, also close the condenser return line shut-off valve. See Fig. 5 or 6.
- 4) Open the condenser water supply line drain valve. If connected to a closed loop system, also open the condenser return line drain valve.
- 5) Attach a compressed air or carbon dioxide supply to the condenser water supply line drain valve.


- 6) Open the water regulating valve by using a screwdriver to pry up on the spring retainer underneath the spring. While holding the valve open, blow out the condenser using the compressed air or carbon dioxide supply until water stops coming out.

Note: Be sure to close the water regulating valve as before.

- 7) Close the condenser water supply line drain valve. If connected to a closed loop system, also close the condenser return line drain valve.
- 8) Replace the left side and top panels in their correct positions.

IV. Disposal

The appliance contains refrigerant and must be disposed of in accordance with applicable national, state, and local codes and regulations. Refrigerant must be recovered by properly certified service personnel.

<i>IMPORTANT</i>	
	The insulation foaming agent used for the unit body contains flammable gas cyclopentane. With this in mind, dispose of the product properly.

HOSHIZAKI AMERICA, INC.

618 Hwy. 74 S., Peachtree City, GA 30269 USA | TEL (770) 487-2331 | FAX (770) 487-3360 | www.hoshizaki.com | L1F015104