



HOSHIZAKI

Parts List

Stackable Crescent Cuber

Models

KM-130ISAJ/3, SWJ/3, SRJ/3



hoshizakiamerica.com

Number: 71383
Issued: 6-29-2017
Revised: 8/31/2018

CONTENTS

Auxiliary Codes.....	3
Note About Ordering Parts	3
A. Main Assembly & Refrigeration Circuit	4
KM-1301SAJ/3.....	4
KM-1301SWJ/3.....	6
KM-1301SRJ/3	8
B. Water Circuit	10
C. Control Box Assembly	13
D. Accessories & Labels	15

Auxiliary Codes

KM-1301SAJ

G-0 February 2017
G-1 September 2017
H-0 January 2018

KM-1301SWJ

G-0 February 2017
G-1 September 2017
H-0 January 2018

KM-1301SRJ

G-0 February 2017
G-1 September 2017
H-0 January 2018

KM-1301SAJ3

G-0 February 2017
G-1 September 2017
H-0 January 2018

KM-1301SWJ3

G-0 February 2017
G-1 September 2017
H-0 January 2018

KM-1301SRJ3

G-0 February 2017
G-1 September 2017
H-0 January 2018

Auxiliary Code Breakdown

The auxiliary code is the first two characters in the serial number. The first character indicates the year. Years progress or regress in alphabetical order. The series runs from "A" through "V" and the letters "I" and "O" are skipped. The second character indicates significant part changes within a year. Base is "0" and this number advances for each change. In cases where there is a letter in parentheses, this designates the month. This is the last character in the serial number. The series runs from "(A)" through "(M)" and the letter "(I)" is skipped. This designation is only included when identifying a parts change within an auxiliary code.

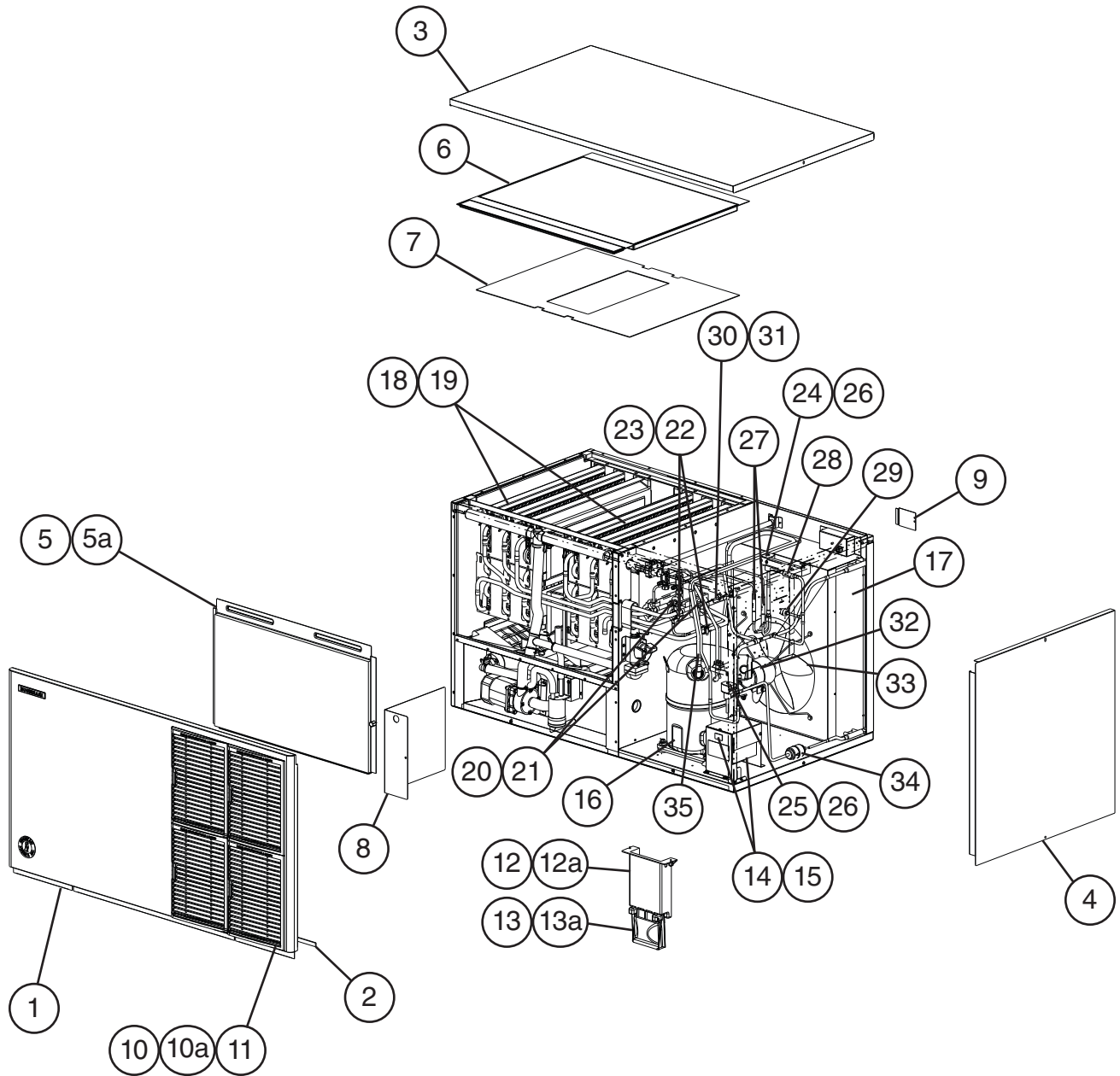
Note About Ordering Parts

Most assemblies cannot be ordered as complete units; parts in the assemblies generally must be ordered separately.

A. Main Assembly & Refrigeration Circuit

KM-1301SAJ/3

G-0 to H-0

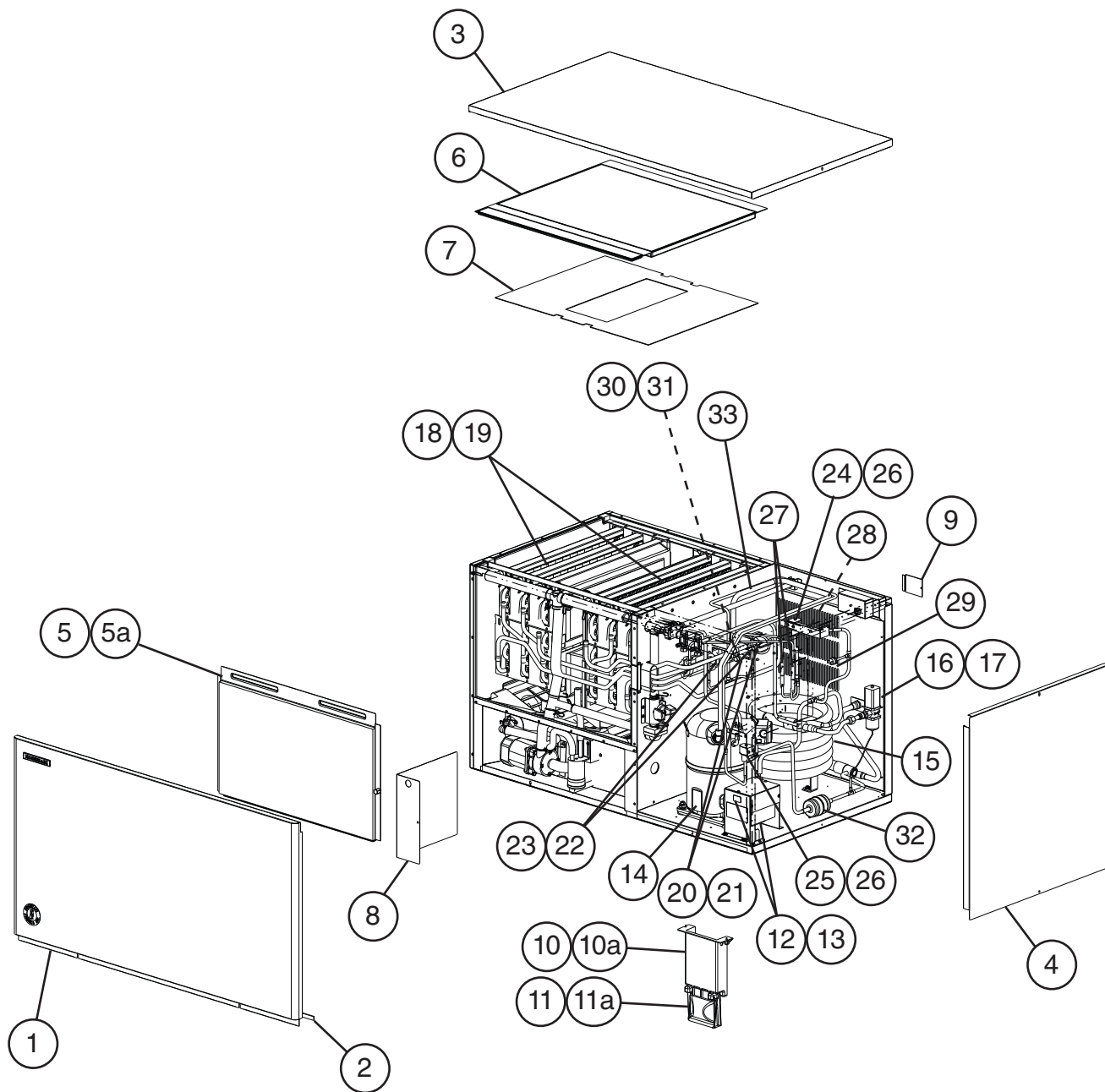


Title: A. Ice Cuber Assembly & Refrigeration Circuit										Model: KM-1301SAJ/3									
Index No.	Description	Material or Model Number	Part Number	G-0 to H-0	Required Number														
Main Assembly																			
1	Front Panel		2A2224-02	1															
2	Gasket	L=1219 mm	4A0808L02	1															
3	Top Panel		2A2255-01	1															
4	Right Side Panel		2A2226G01	1															
5	Front Insulation		324215G01	1															
5a	Thumbscrew		415949G12	1															
6	Top Insulation		324216G01	1															
7	Spacer		324321-01	1															
8	Control Box Cover		3A2386-01	1															
9	Junction Box Cover		433410-01	1															
10	Louver		1A0548-01	4															
10a	Push Retainer		4A2414-01	12															
11	Air Filter		2A2063G01	4															
12	Mounting Bracket		3A5726-01	1															
12a	Thumbscrew		415949G12	2															
13	Mechanical Bin Control		2A4393G01	1															
13a	Thumbscrew		415949G12	2															
14	Main Transformer		4A5695-01	1															
15	Voltage Tap Switch		4A1477-01	1															
Refrigeration Circuit																			
16	Compressor	KM-1301SAJ	4A1412-03	1															
		KM-1301SAJ3	4A1484-03	1															
17	Condenser		2A7966-01	1															
18	Evaporator Bank (Each contains 4 of item 19)		2A8124G01	2															
19	Separator Hook		324152-01	8															
20	Thermostatic Expansion Valve		4A1482-01	2															
21	Thermostatic Expansion Valve Cover		3A0944-01	2															
22	Thermostatic Expansion Valve Bulb Holder		3A0107-01	2															
23	Clamp		443461-02	2															
24	Hot Gas Valve Body		4A3978-01	1															
25	Liquid Line Valve Body		4A3276-01	1															
26	Valve Coil		4A3277-01	2															
27	Check Valve		4A1373-01	2															
28	Strainer		441569-02	1															
29	High-Pressure Switch		463180-01	1															
30	Thermistor		429006-03	1															
31	Thermistor Holder		427430-01	1															
32	Fan Motor		4A3158-01	1															
33	Fan Blade		4A0197-01	1															
34	Drier		4A1113-01	1															
35	Heat Exchanger		2A7978G01	1															

A. Main Assembly & Refrigeration Circuit

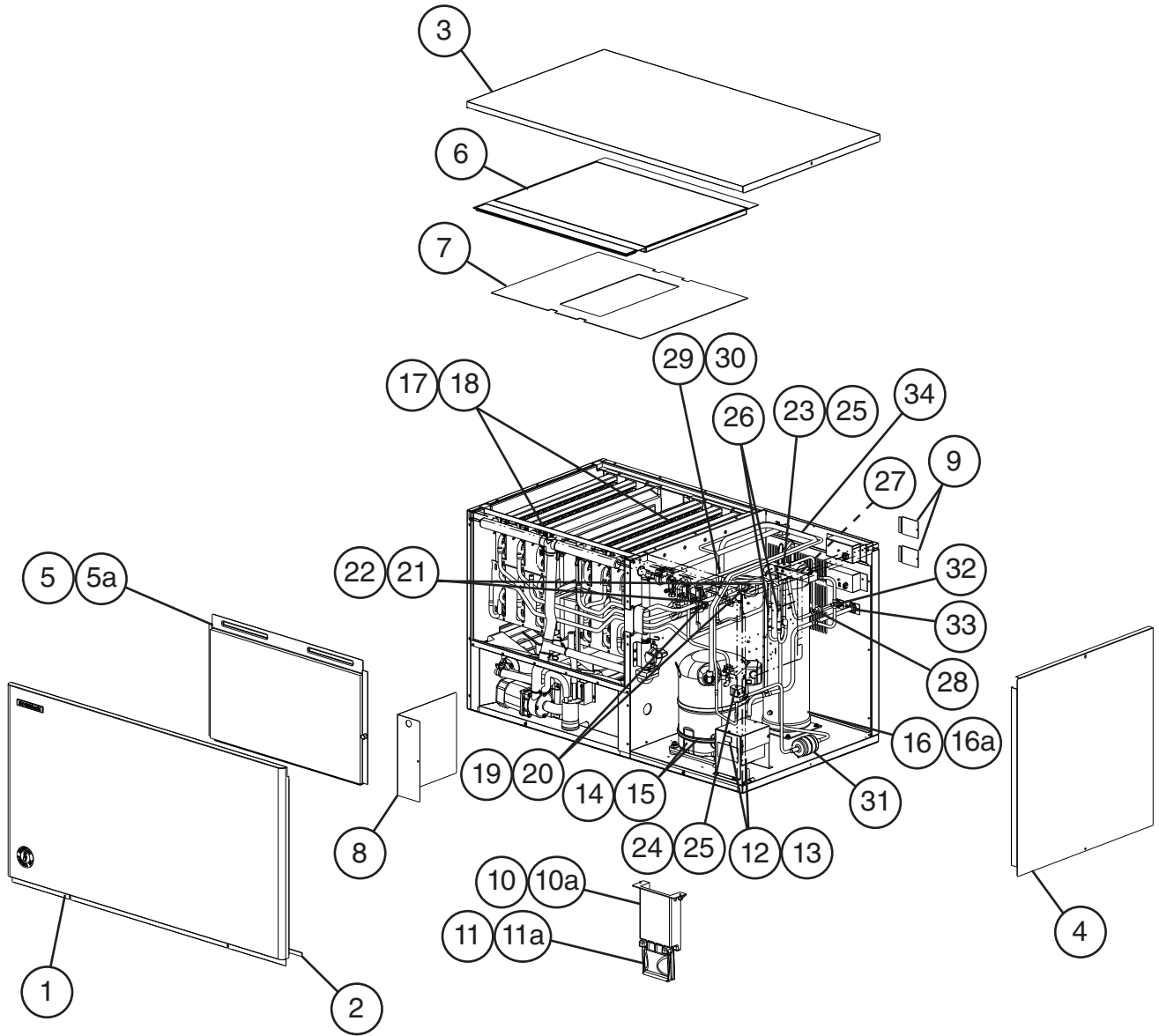
KM-1301SWJ/3

G-0 to H-0



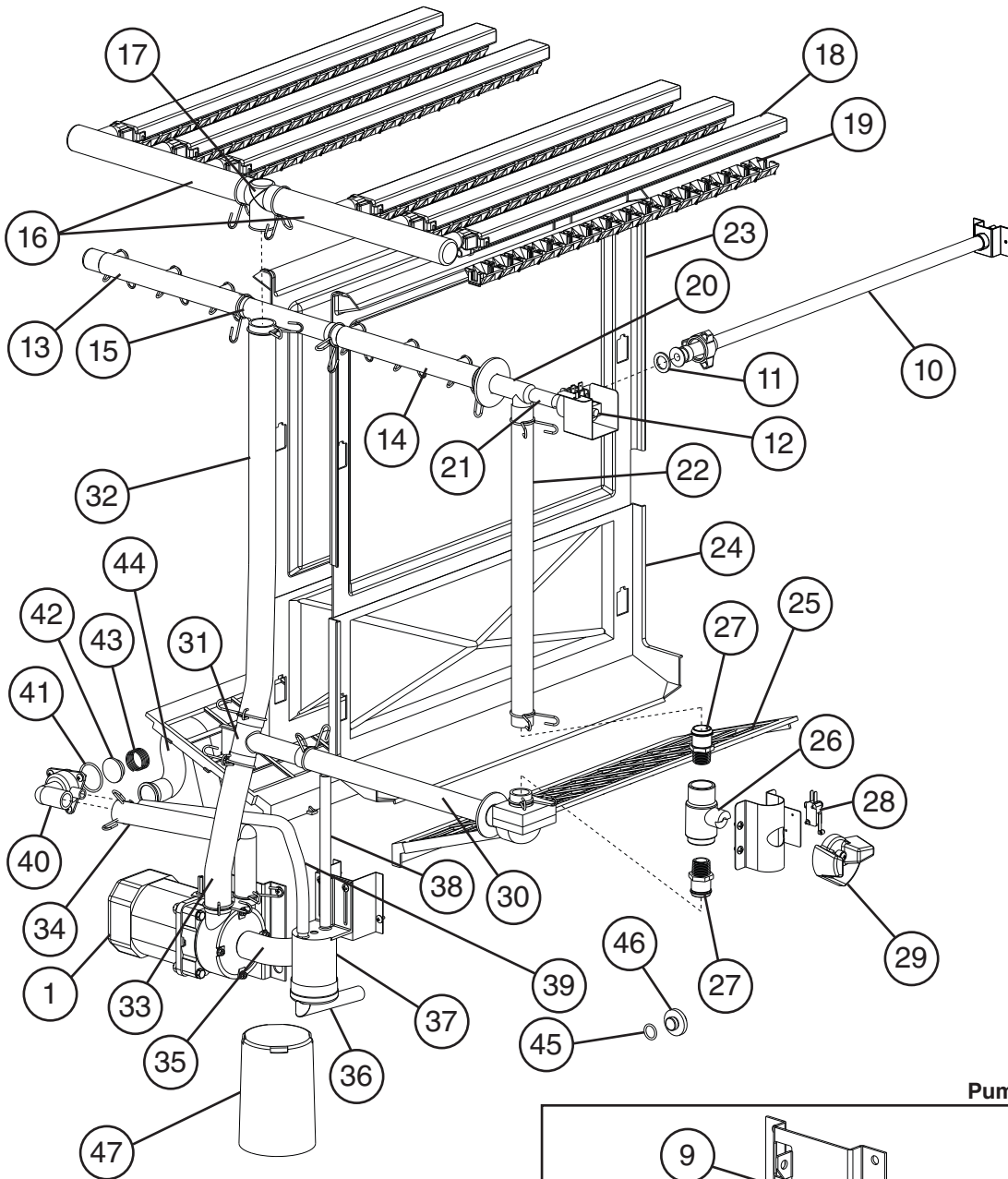
Title: A. Main Assembly & Refrigeration Circuit Model: KM-1301SWJ/3												
Index No.	Description	Material or Model Number	Part Number	G-0 to H-0	Required Number							
Main Assembly												
1	Front Panel		3A1969G01	1								
2	Gasket	L=1219 mm	4A0808L02	1								
3	Top Panel		2A2255-01	1								
4	Right Side Panel		2A2226G01	1								
5	Front Insulation		324215G01	1								
5a	Thumbscrew		415949G12	1								
6	Top Insulation		324216G01	1								
7	Spacer		324321-01	1								
8	Control Box Cover		3A2386-01	1								
9	Junction Box Cover		433410-01	1								
10	Mounting Bracket		3A5726-01	1								
10a	Thumbscrew		415949G12	2								
11	Mechanical Bin Control		2A4393G01	1								
11a	Thumbscrew		415949G12	2								
12	Main Transformer		4A5695-01	1								
13	Voltage Tap Switch		4A1477-01	1								
Refrigeration Circuit												
14	Compressor	KM-1301SWJ	4A4134-03	1								
		KM-1301SWJ3	4A4135-03	1								
15	Water-Cooled Condenser		3A7324-01	1								
16	Water Regulating Valve		4A0911-07	1								
17	Male Connector		4A1087-01	1								
18	Evaporator Bank (Each contains 4 of item 19)		2A8124G01	2								
19	Separator Hook		324152-01	8								
20	Thermostatic Expansion Valve		4A1482-01	2								
21	Thermostatic Expansion Valve Cover		3A0944-01	2								
22	Thermostatic Expansion Valve Bulb Holder		3A0107-01	2								
23	Clamp		443461-02	2								
24	Hot Gas Valve Body		4A3978-01	1								
25	Liquid Line Valve Body		4A3276-01	1								
26	Valve Coil		4A3277-01	2								
27	Check Valve		4A1373-01	2								
28	Strainer		441569-02	1								
29	High-Pressure Switch		463180-05	1								
30	Thermistor		429006-03	1								
31	Thermistor Holder		427430-01	1								
32	Drier		4A2663-01	1								
33	Heat Exchanger		1A4295G01	1								

A. Ice Cuber Assembly & Refrigeration Circuit
KM-1301SRJ/3
 G-0 to H-0

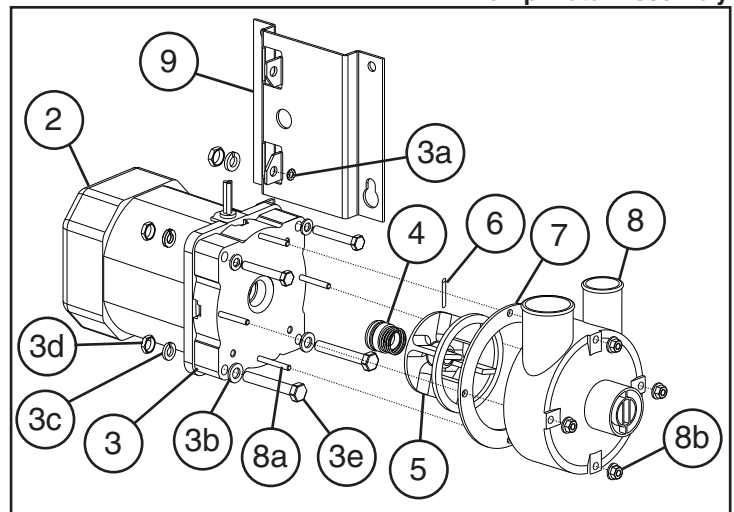


Title: A. Main Assembly & Refrigeration Circuit Model: KM-1301SRJ/3											
Index No.	Description	Material or Model Number	Part Number	G-0 to H-0	Required Number						
Main Assembly											
1	Front Panel		3A1969G01	1							
2	Gasket	L=1219 mm	4A0808L02	1							
3	Top Panel		2A2255-01	1							
4	Right Side Panel		2A2226G01	1							
5	Front Insulation		324215G01	1							
5a	Thumbscrew		415949G12	1							
6	Top Insulation		324216G01	1							
7	Spacer		324321-01	1							
8	Control Box Cover		3A2386-01	1							
9	Junction Box Cover		433410-01	2							
10	Mounting Bracket		3A5726-01	1							
10a	Thumbscrew		415949G12	2							
11	Mechanical Bin Control		2A4393G01	1							
11a	Thumbscrew		415949G12	2							
12	Main Transformer		4A5695-01	1							
13	Voltage Tap Switch		4A1477-01	1							
Refrigeration Circuit											
14	Compressor	KM-1301SRJ	4A4134-03	1							
		KM-1301SRJ3	4A4135-03	1							
15	Crankcase Heater		4A5397-02	1							
16	Receiver Tank		440366-01	1							
16a	Hex Bolt	5x10	7B0130510	3							
17	Evaporator Bank (Each contains 4 of item 18)		2A8124G01	2							
18	Separator Hook		324152-01	8							
19	Thermostatic Expansion Valve		4A1482-01	2							
20	Thermostatic Expansion Valve Cover		3A0944-01	2							
21	Thermostatic Expansion Valve Bulb Holder		3A0107-01	2							
22	Clamp		443461-02	2							
23	Hot Gas Valve Body		4A3978-01	1							
24	Liquid Line Valve Body		4A3276-01	1							
25	Valve Coil		4A3277-01	2							
26	Check Valve		4A1373-01	2							
27	Strainer		441569-02	1							
28	High-Pressure Switch		463180-04	1							
29	Thermistor		429006-03	1							
30	Thermistor Holder		427430-01	1							
31	Drier		4A2663-01	1							
32	Liquid Line Coupling		433751G01	1							
33	Discharge Line Coupling		434072-01	1							
34	Heat Exchanger		1A4295G01	1							

B. Water Circuit
KM-1301S_J/3
 G-0 to H-0



Pump Motor Assembly



Title: B. Water Circuit Model: KM-1301S_J/3

Index No.	Description	Material or Model Number	Part Number	G-0 to H-0	Required Number									
1	Pump Motor Assembly (includes items 2 through 9)	S-0730	215692A03	1										
2	Pump Motor		2U0106-01	1										
3	Pump Flange		215662-01	1										
3a	Tooth Washer		7R22-0600	2										
3b	Flat Washer		7W22-0600	4										
3c	Split Lock Washer		7L22-0600	4										
3d	Hex Nut		7N12-0600	4										
3e	Hex Head Bolt	6x40	7B02-0640	4										
4	Mechanical Seal		4A3820-01	1										
5	Impeller		436584-01	1										
6	Pin		4A0648-01	1										
7	Packing		428547-01	1										
8	Pump Housing		213687-01	1										
8a	Hex Head Bolt	4x55	7B02-0455	4										
8b	Hex Flange Nut		7J02-0400	4										
9	Pump Motor Bracket		323904-01	1										
10	Water Supply Pipe		4A5216G04	1										
11	Rubber Gasket		413854-03	1										
12	Inlet Water Valve		3U0111-01	1										
13	Distributor Hose A		325738-01	1										
14	Distributor Hose B		325738-02	1										
15	Joint Pipe		439297-01	1										
16	Distributor Hose C		325739-01	2										
17	Distributor A (Tee)		439266-01	1										
18	Spray Tube		437049G01	6										
19	Spray Guide		2A4282-02	6										
20	Distributor B (Tee)		439239-01	1										
21	Vinyl Hose	L= 80 mm	7716-1216	1										
22	Joint Hose		439309-02	1										
23	Separator A		213622-01	2										
24	Separator B		2A0100-01	2										
25	Cube Guide		214243-01	2										
26	Cleaning Valve Ball Valve		439293-01	1										
27	Cleaning Valve Male Adapter		325826-01	2										
28	Cleaning Valve Microswitch		4A2546-01	1										
29	Cleaning Valve Handle		215383-01	1										
30	Bypass Hose		439237-02	1										
31	Distributor C (Tee)		439238-01	1										
32	Vinyl Hose	L= 385 mm	7716-2732	1										
33	Vinyl Hose	L= 170 mm	7716-2732	1										
34	Hose B		436599-01	1										
35	Hose A		435091-01	1										
36	Float Switch Connector		426799-04	1										
37	Float Switch		4A3624-01	1										
38	Silicone Hose	L= 140 mm	773013896	1										
39	Silicone Hose	L= 390 mm	773013896	1										
40	Drain Valve Housing		323613-01	1										

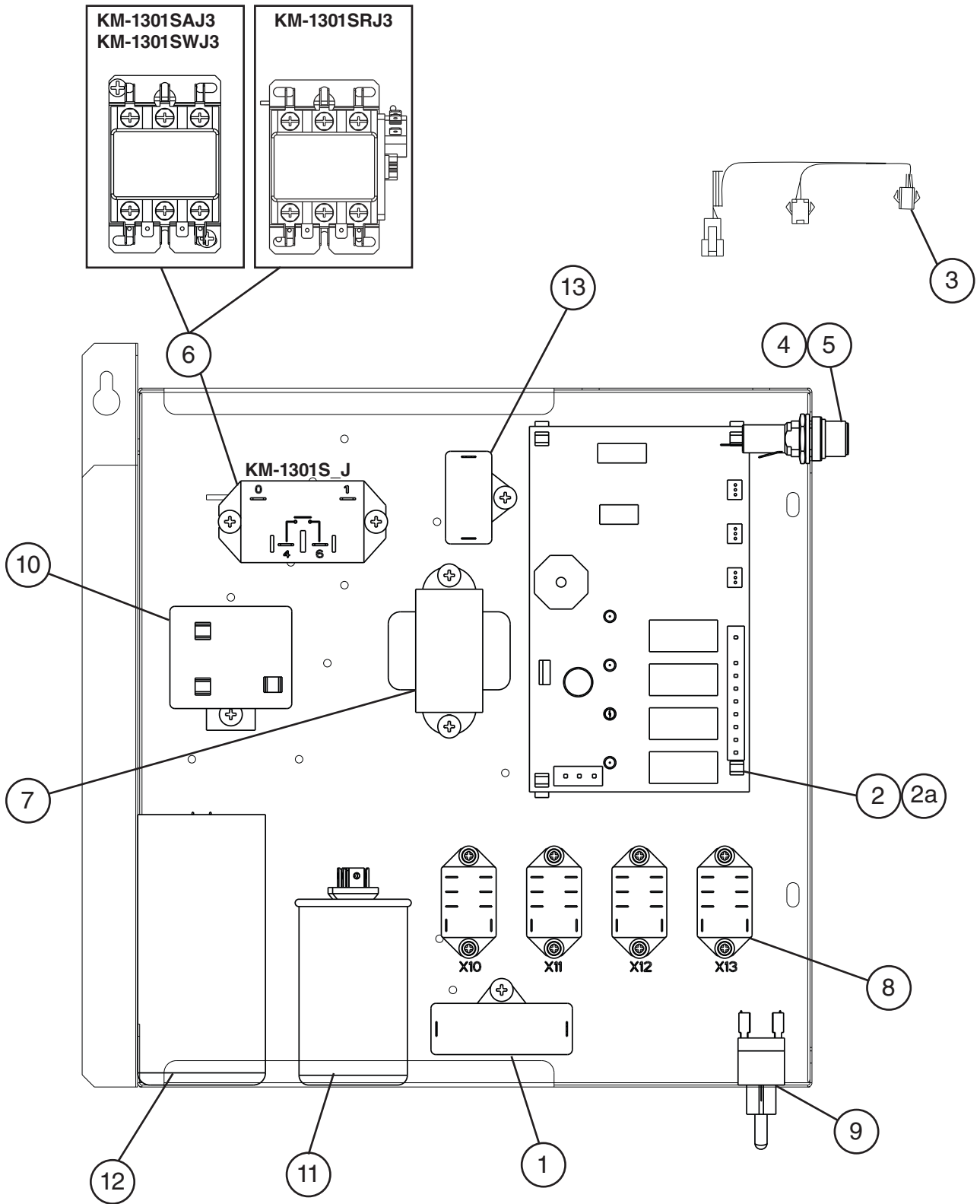
Title: B. Water Circuit Model: KM-1301S_J/3

Index No.	Description	Material or Model Number	Part Number	Required Number											
				G-0 to H-0											
41	Drain Valve O-Ring		7611-G035	1											
42	Drain Valve Seat		433705-01	1											
43	Drain Valve Spring		322110-01	1											
44	Drain Hose		324757-01	1											
45	Drain Plug O-Ring		7611-P015	1											
46	Drain Plug		309246-01	1											
47	Overflow Cap		323978-01	1											
Hose Clamps															
	Hose Clamp	25 mm	427443-03	9											
	Hose Clamp	13.5 mm	427443-07	6											
	Hose Clamp	32 mm	427443-09	6											

C. Control Box Assembly

KM-1301S_J/3

G-0 to H-0

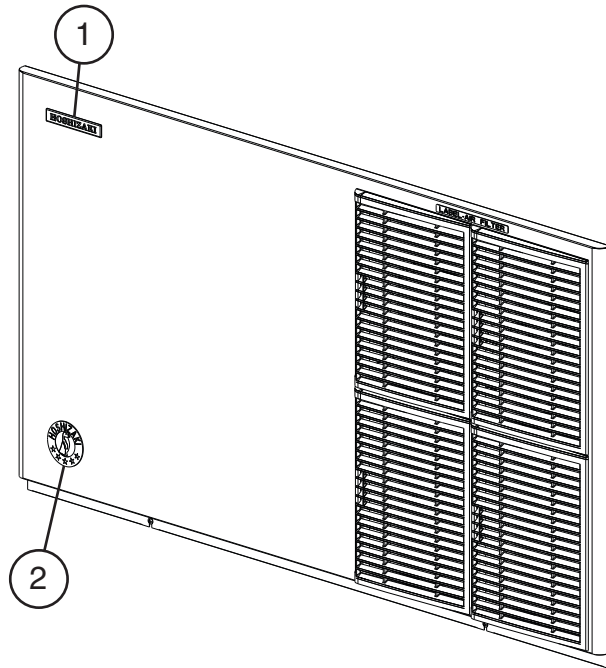


Title: C. Control Box Assembly Model: KM-1301S_J/3												
Index No.	Description	Material or Model Number	Part Number	G-0 to H-0	Required Number							
1	Pump Motor Capacitor	15MFD, 240VAC	439705-01	1								
2	Control Board		2A7664-04	1								
2a	Control Board Support		4A0336-03	4								
3	Wire Harness		4A5197G01	1								
4	Fuse	AGC-10A, 250VAC	4A0893-07	1								
5	Fuse Holder		4A5443-01	1								
6	Compressor Relay	KM-1301S_J	4A3140-01	1								
	Magnetic Contactor	KM-1301SAJ3 KM-1301SWJ3	4A0794-02	1								
		KM-1301SRJ3	4A0794-01	1								
7	Control Transformer		3A0172-01	1								
8	Relay X10=Pump Direction Relay X11=X10 Control Relay X12=Slush Control Relay	KM-1301SAJ/3 KM-1301SWJ/3	406132-07	3								
	X13=Crankcase Heater Relay	KM-1301SRJ		4								
9	Toggle Switch (control)		443119-01	1								
10	Start Relay	KM-1301SAJ	4A1107-09	1								
		KM-1301SWJ KM-1301SRJ	4A1107-13	1								
11	Run Capacitor	KM-1301SAJ 35MFD, 370VAC	3A2005-05	1								
		KM-1301SWJ KM-1301SRJ 30MFD, 370VAC	3A2005-03	1								
12	Start Capacitor	KM-1301SAJ 145-174MFD, 250VAC	3A0076-01	1								
		KM-1301SWJ KM-1301SRJ 145-174MFD, 220VAC	3A0076-11	1								
13	Fan Motor Capacitor	KM-1301SAJ 5MFD, 250VAC	443192-02	1								

D. Accessories & Labels

KM-1301S_J/3

G-0 to H-0



Title: D. Accessories & Labels Model: KM-1301S_J/3					Required Number							
Index No.	Description	Material or Model Number	Part Number	G-0 to H-0								
					1	Hoshizaki Emblem Label		4A0560-01	1			
2	Penguin Label		475552L02	1								
3	Universal Brace		4A0363-01	2								
3a	Hex Bolt	5x12, SS	7B02-0512	4								