

# KM-101BAH

## SELF-CONTAINED CUBER WITH BUILT-IN STORAGE BIN

Item # \_\_\_\_\_

Project: \_\_\_\_\_

Qty: \_\_\_\_\_

\*AutoCad available on KCL

KM-101BAH

04/18/16


Item # 13209

### CUBER DIMENSIONS W x D x H

**KM-101BAH**  
23<sup>3/4</sup> x 24<sup>1/4</sup> x 39\*  
\* with 6" legs



**KM-101BAH**  
Air-Cooled

- Up to 115 lbs. of ice production per 24 hours
- Up to 30 lbs. of built-in storage capacity\*
- Individual crescent cube
- Durable stainless steel exterior
- CycleSaver™ Design 
- EverCheck™ alert system 
- Front in, front out airflow
- Stainless steel evaporator
- Slide in door
- Removable air filter
- Power switch accessible without panel removal
- Built-in installation possible
- Accessory - HS-5061 Drain Pump Assembly
- R-134a Refrigerant

\* The KM-101BAH is ENERGY STAR qualified.



### Warranty

Valid in United States, Canada, Puerto Rico, & U.S. Territories. Contact factory for warranty in other countries.

**Three Year** - Parts & Labor on entire machine.

**Five Year** - Parts on: Evaporator.

**Five Year** - Parts on: Compressor, air-cooled condenser coil.

**One Year** - **HS-5061 Drain Pump Assembly** - Parts & Labor.

\* Rated in accordance with AHRI Standard 820 (I-P)

© HOSHIZAKI AMERICA, INC.

618 Hwy. 74 S., Peachtree City, GA 30269

TEL 1-800-438-6087

FAX 1-800-345-1325

www.hoshizaki.com



# Hoshizaki

## SELF-CONTAINED CUBER WITH BUILT-IN STORAGE BIN

**DIMENSIONS**  
W x D x H  
**KM-101BAH**  
23<sup>3/4</sup> x 24<sup>1/4</sup> x 39\*  
\*with 6" legs

• Air-cooled

### AIR-COOLED

Water Temp ° F.	50°	70°	90°
Air Temp ° F. 70°	115	107	97
Air Temp ° F. 80°	109	97	87
Air Temp ° F. 90°	107	88	78

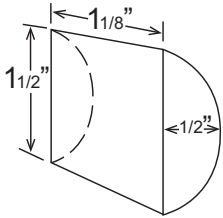
### UTILITY CONSUMPTION

Model Number	Ice Production Per Cycle		KWH per 100 LBS.	Potable Water Gal. per 100 lbs.	Condenser Water Gal. per 100 lbs.
	Lbs.	Cubes			
KM-101BAH	2.31	110	9.4	23.0	N/A

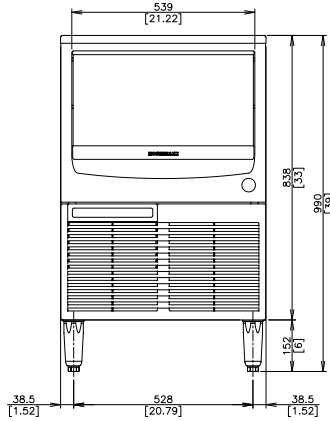
### SPECIFICATIONS

Model Number	Condenser	Amperage	Min. Circuit Ampacity	Shipping Weight
KM-101BAH	Air-Cooled	5.2	15A	143 lbs.

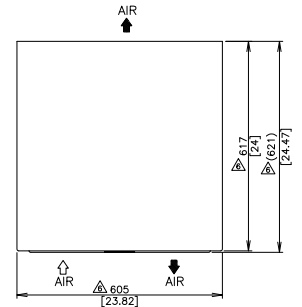
### \*KM CUBE DIMENSIONS



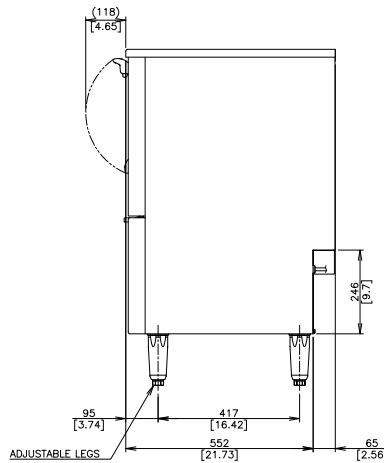
\*approximate size in inches, image not to scale



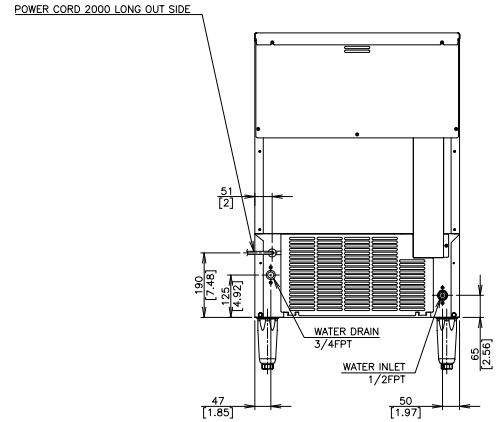
FRONT VIEW



TOP VIEW



SIDE VIEW



BACK VIEW

### ELECTRICAL & PLUMBING/KM-101BAH

- 115V/60/1
- 15 amp Max Fuse/HACR Breaker Size
- Icemaker Water Supply Line: Minimum 1/4" Nominal ID Copper Water Tubing or Equivalent
- Icemaker Drain Line: Minimum 3/4" Nominal ID Hard Pipe or Equivalent

### OPERATING LIMITS

- Ambient Temp Range 45 - 100°F
- Water Temp Range 45 - 90°F
- Water Pressure 10 - 113psig
- Voltage Range 104 - 127V



© HOSHIZAKI AMERICA, INC.

618 Hwy. 74 S., Peachtree City, GA 30269

TEL 1-800-438-6087

FAX 1-800-345-1325

www.hoshizaki.com

Printed in U.S.A.

