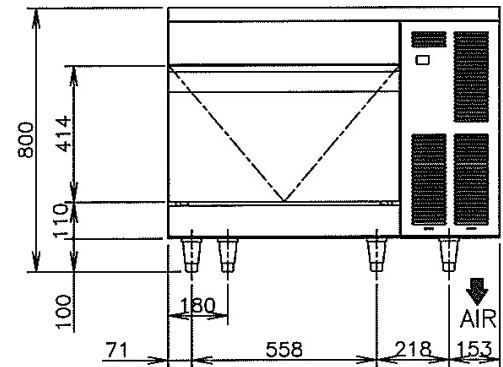
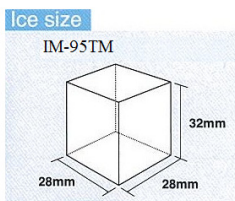




HOSHIZAKI

HOSHIZAKI UNDERCOUNTER ICE MAKER

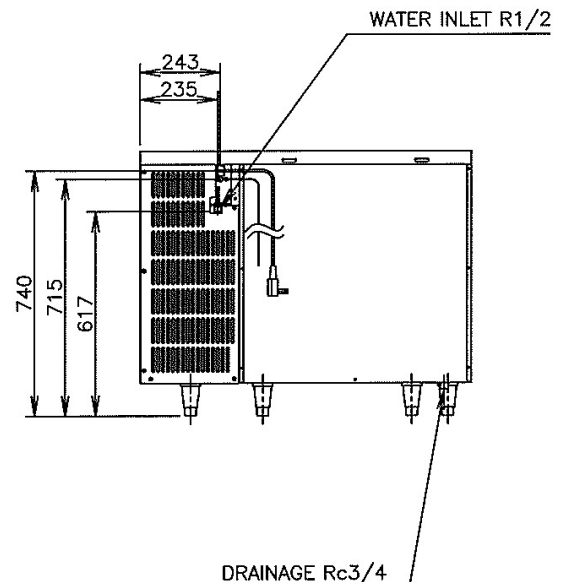
IM-95TM



SPECIFICATION

MODEL NAME	IM-95TM	
AC SUPPLY VOLTAGE	1/ 220-240V / 50 HZ (100V / 1PH AVAILABLE)	
DIMENSIONS(W x D x H)	1000 x 600 x 800 (800-830) (mm)	
AMPERAGE	5.5A	
STARTING AMPERAGE	36A	
ELECTRICAL CONSUMPTION	460W	
REFRIGERANT CHARGE	R404A / 550 W (HEAT REJECTION)	
WATER CONSUMPTION PER 24h (AT21°C / WT15°C)	0.19m ³ 2.07L / 1kg Ice	
ICE PRODUCTION PER 24h (15mm)	92kg (AT21°C / WT15°C)	
	78kg (AT32°C / WT21°C)	
ICE PRODUCTION (AT21°C/WT15°C)	FREEZE CYCLE TIME	28min
	PER CYCLE	1.8 kg / 80 pcs
STORAGE CAPACITY	38 kg	
OPERATING CONDITIONS	VOLTAGE RANGE	198-254V
	AMBIENT TEMP	1-40°C
	WATER SUPPLY	5-35°C / 0.07-0.8Mpa / 7.25 - 116 PSI
PACKAGE (W x D x H)	1105 x 720 x 800(mm)	
WEIGHT (NET / GROSS)	75 kg / 81 kg	

●Warranty : Two year parts and labour entire unit. 3rd year on compressor.
Excluding door and exterior damages.



HOSHIZAKI

