



**HOSHIZAKI**

## > **IM-65A**

daily ice production capacity of up to 70kg



Cube ice is perfectly symmetrical and leaves a good impression with its hard, crystal clear quality that melts very slowly; allowing customers to enjoy their favourite drink longer. The I-Fit series of cube ice maker produces standard size ice (28x28x32mm) that is applicable in many settings and designed for uncomplicated usage from start to finish.



> **IM-65A**

CUBE ICE MAKER SERIES

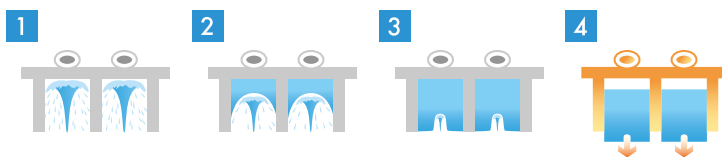
**I-FIT**  
SERIES

### FEATURES

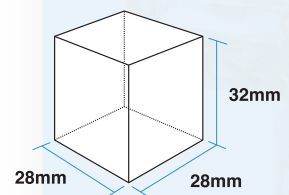
- > flush-back design for easy installation
- > round front door for quick access to ice
- > one-piece door design and pull-out air filter for simple cleaning
- > front water valve access for easy serviceability
- > sharp stainless steel exterior



### UNIQUE ICE PRODUCTION SYSTEM

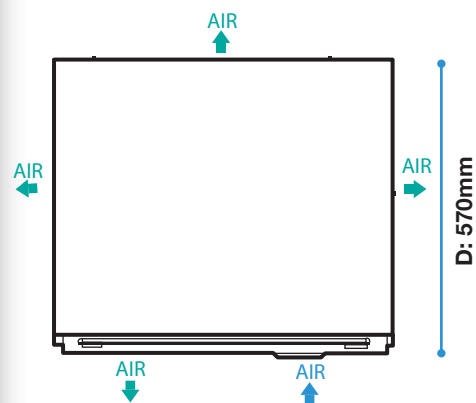


### ICE SIZE

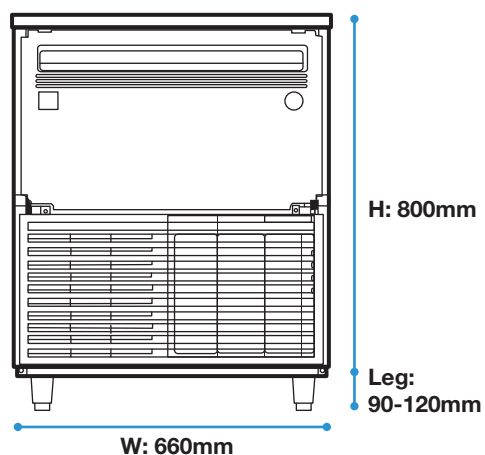


# DIMENSIONS & SPECIFICATION

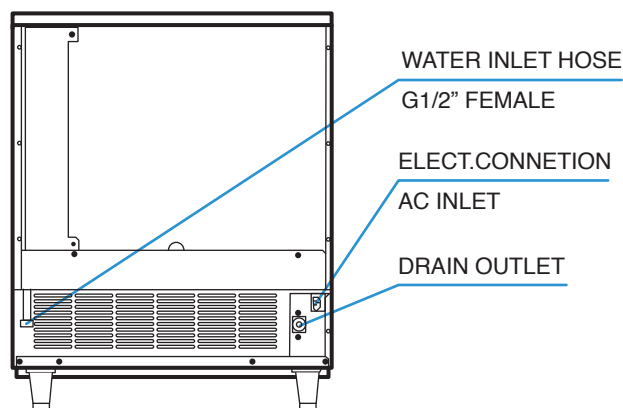
**CUBE ICE MAKER  
AIR SYSTEM TOP VIEW**



**FRONT VIEW**



**BACK VIEW**



<b>MODEL NAME</b>		<b>IM-65A</b>
<b>ICE DIMENSIONS (MM) (W x D x H)</b>		28 x 28 x 32
<b>DIMENSIONS (MM) (W x D x H)</b>		Body : 660 x 570 x 800 / Leg Height : 90-120 mm
<b>PACKED DIMENSIONS (MM) (W x D x H)</b>		760 x 680 x 980
<b>WEIGHT (NETT/GROSS)</b>		60 KG / 74 KG
<b>AMPERAGE / STARTING AMPERAGE</b>		3.2A / 18A
<b>ELECTRICAL CONSUMPTION</b>		390 W
<b>REFRIGERANT CHARGE</b>		R134a
<b>HEAT REJECTION (AT32°C/WT21°C)</b>		910 W (783 kcal/h)
<b>ICE PRODUCTION PER 24H (15MM)</b>	(AT10°C/WT10°C)	70 KG
	(AT21°C/WT15°C)	62 KG
	(AT32°C/WT21°C)	49 KG
<b>WATER CONSUMPTION PER 24H (AT21°C/WT15°C)</b>		0.14 m <sup>3</sup> 2.25L / 1KG ICE
<b>ICE PRODUCTION (AT21°C/WT15°C)</b>	<b>FREEZE CYCLE TIME</b>	26 MIN
	<b>PER CYCLE</b>	0.94 KG / 42 PCS
<b>STORAGE CAPACITY</b>		26 KG

**• WARRANTY:**

Two years parts & labour for entire unit, 3<sup>rd</sup> year on compressor only. Excluding door & exterior damages

**OPERATING CONDITIONS:** • Voltage Range: ±6% • Ambient Temperature: 1°-40°C

• Water Supply: 5°-35°C / 0.07-0.8 Mpa / 7.25-116 PSI • AC Supply Voltage: 1/220-240V / 50 Hz