

NO. 10FK-1203

ISSUED: MAY 12, 1992

REVISED: MAR. 28, 1995



**HOSHIZAKI
SOLID-STATE CONTROL
SELF-CONTAINED CUBER**

MODEL IM-50K-25

PARTS LIST

(RINNAI A-8325)

B-1 JAN. 1992

B-2 APR. 1992

B-3 JUL. 1992

C-0 DEC. 1992

C-1 FEB. 1993

FINAL

MATERIAL ABBREVIATIONS

PLASTIC

ABS	=	Acrylonitrile-butadien-styrene
AC	=	Polyacetal
EVA	=	Ethylene vinyl acetate
PA	=	Polyamide =Nylon
PC	=	Polycarbonate
PE	=	Polyethylene
PES	=	Polyester
PETP	=	Polyethylene terephthalate =Tetlon
PF	=	Phenol-formaldehyde
PP	=	Polypropyleneoride
PS	=	Polystyrene
PTFE	=	Polytetrafluoroethylene =Teflon
PUR	=	Polyurethane
PVC	=	Polyvinyl chloride

RUBBER

EPDM	=	EP rubber
NBR	=	Nitrile butadiene rubber
NR	=	Natural rubber
SI.R	=	Silicone rubber
SY.R	=	Synthetic rubber

STEEL

G.S	=	Galvanized steel
S.S	=	Stainless steel

AUXILIARY CODE

Ex.1 K-0
 ├── Parts are the same as in the preceding
 │ year.
 └── "K" is the tenth in alphabetical order with "I"
 skipped. So, "K" indicates "1990".

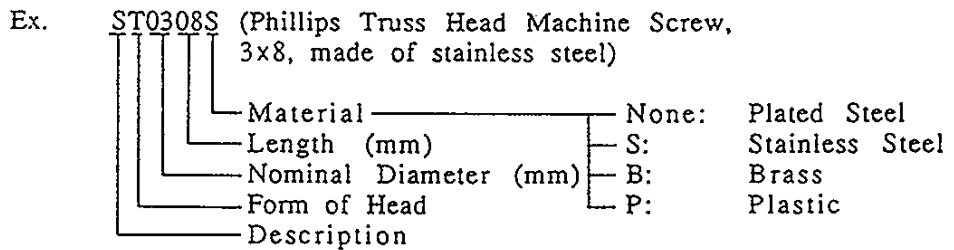
Ex.2 A-1
 ├── "A" is the first in alphabetical
 │ order. So, "A" indicates "1991".

Ex.3 A-2
 ├── Each time a part is changed
 │ in a year, this number advances.

(Note) --=Part deleted.
 X=Part deleted and replaced by "O" part.
 O=New part for "X" in the same auxiliary code.

FASTENER ABBREVIATION LIST

ST	Phillips Truss Head Machine Screw
SP	Phillips Pan Head Machine Screw
SF	Phillips Flat Head Machine Screw
SS	Phillips Pan Head Machine Screw with Split Lock Washer
SW	Phillips Pan Head Machine Screw with Split Lock Washer and Flat Washer
T1	Phillips Truss Head Tapping Screw (Correspond to Type A)
T2	Phillips Truss Head Tapping Screw (Correspond to Type B)
T3	Phillips Truss Head Tapping Screw (Correspond to Type C)
FT	Phillips Truss Head Tapping Screw (Special)
BH	Hexagon Head Bolt
BC	Socket Head Cap Screw
BS	Hexagon Bolt with Split Washer
BW	Hexagon Bolt with Split Washer and Flat Washer
BF	Hexagon Flange Bolt
BR	Cross-Recessed Hexagon Head Bolt
BRW	Cross-Recessed Hexagon Head Bolt with Split Lock Washer and Flat Washer
WL	Split Lock Washer
WT	External Tooth Washer
WF	Flat Washer
WS	Spring Washer
NH	Hexagon Nut
NF	Hexagon Flange Nut
NC	Hexagon Cap Nut
NS	Square Nut
NW	Wing Nut



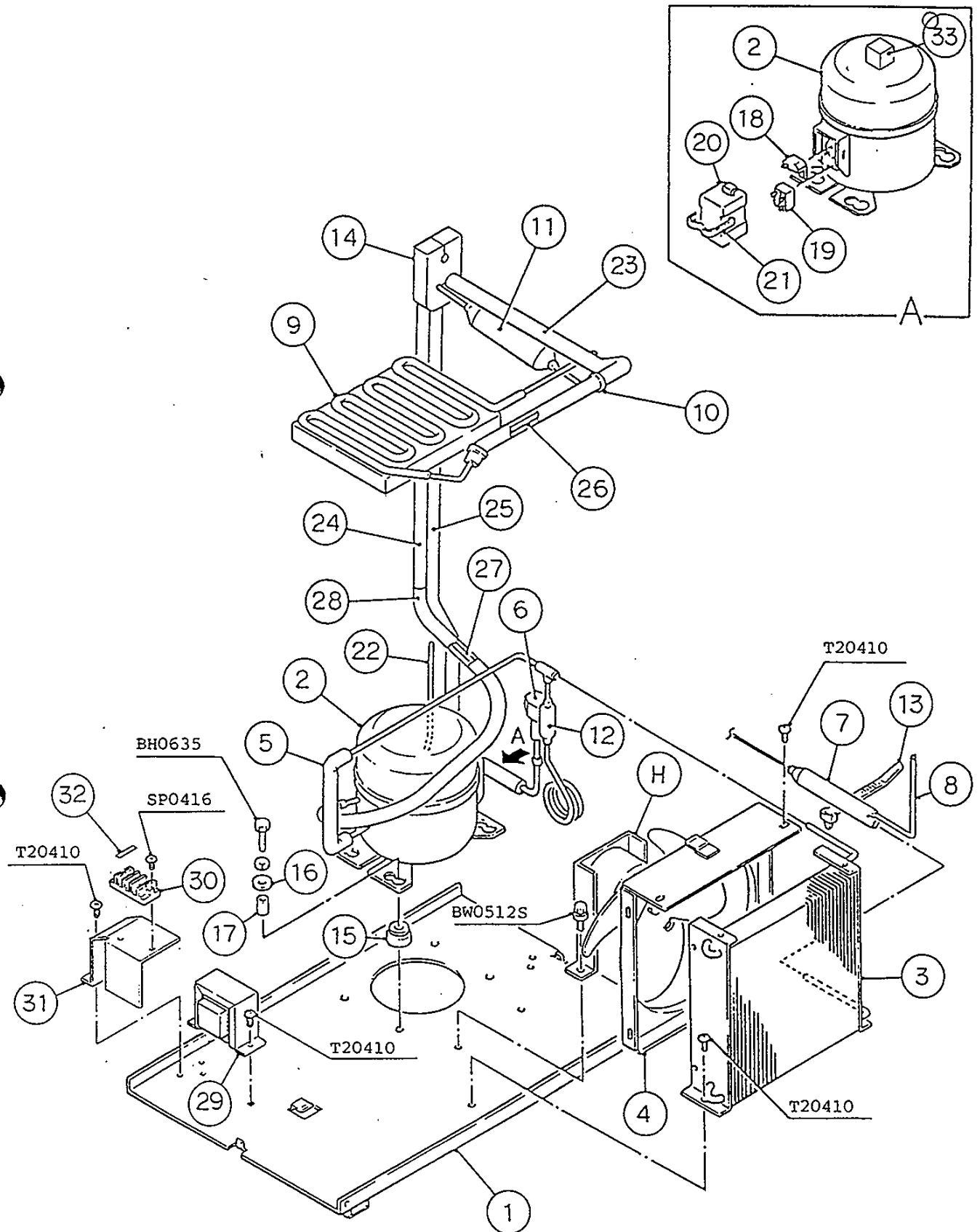
(Note) Second character is numerical except the list.

Ex. S1, S2, B3 etc.

And abbreviations and names are shown under the illustration.

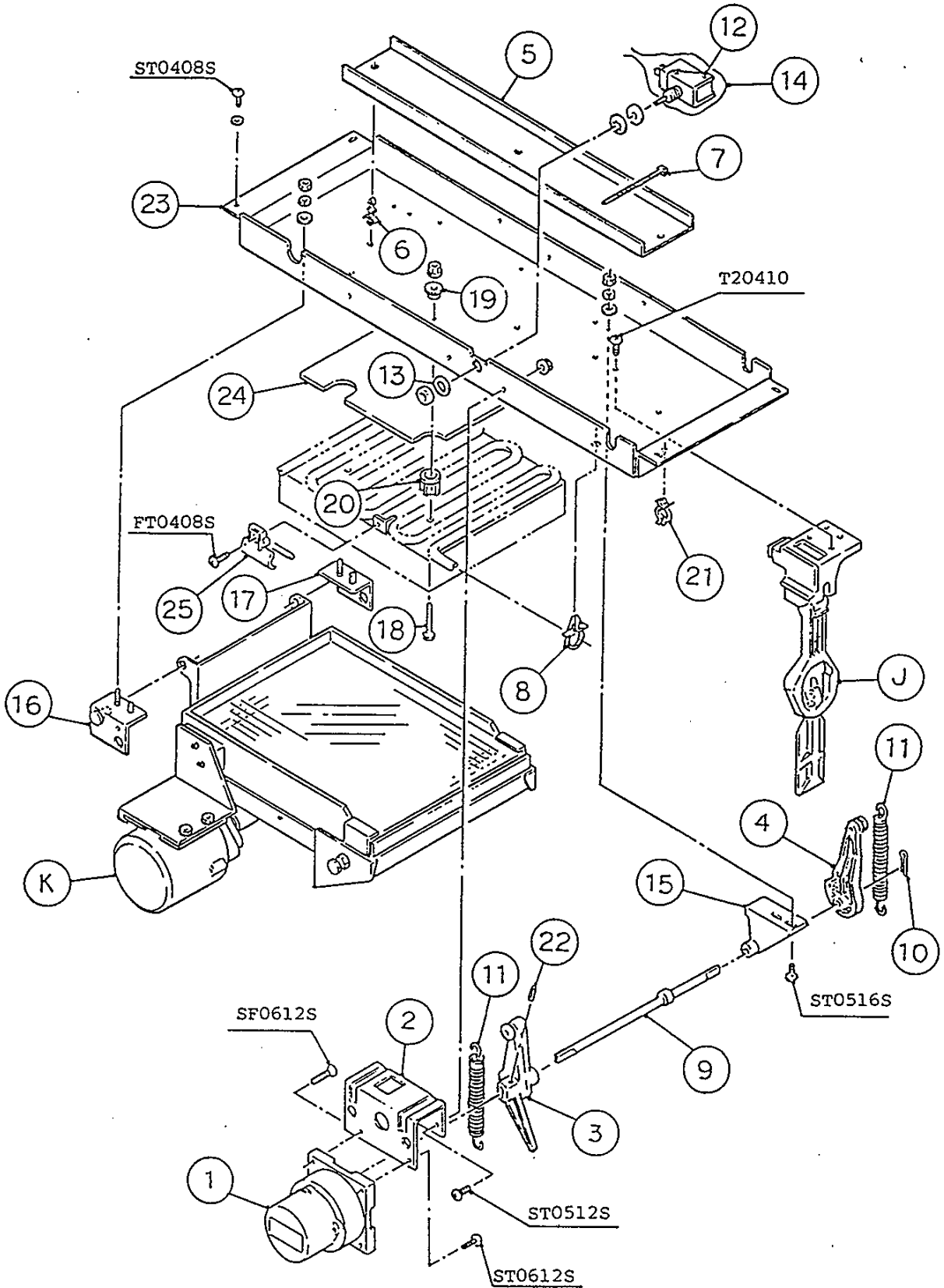
RINNAI (A-8325)

MODEL: IM-50K-25 TITLE: A. ICE CUBER ASSY							
INDEX NO.	DESCRIPTION	MATERIAL OR MODEL NUMBER	PART NUMBER	REQ'D NUMBER			
				B-1	B-2	B-3 C-0	C-1
B	REFRIGERATION UNIT	-	-	1	1	1	1
C	ICE MAKING MECHANISM ASSY	-	-	1	1	1	1
D	CONTROL BOX ASSY	-	-	1	1	1	1
E	DOOR ASSY	-	3H0284A05	1	1	-	-
		-	3H0284A06	-	-	1	1
F	WATER CIRCUIT ASSY	-	3H1382A01	1	1	1	1
G	LABEL LOCATION	-	3H5361A01	1	1	1	1
1	UNIT FRAME	-	-	1	1	1	1
2	TOP PANEL	S.S	4H7662G03	1	1	1	1
3	INSULATION - TOP PANEL	STYROL	2H0655-04	1	1	1	1
4	FRONT PANEL (UPPER)	S.S	3H5275G03	1	1	-	-
		S.S	3H5275G06	-	-	1	1
5	FRONT PANEL (LOWER)	S.S	3H5363G01	1	1	-	-
		S.S	3H5363G02	-	-	1	1
6	REAR PANEL	S.S	3H2212-01	1	1	1	1
7	LOUVER	ABS	101812-05	2	2	2	2
8	LOUVER COVER	ABS	309237-03	1	1	1	1
9	FRONT FRAME	S.S	3H1678-03	1	1	1	1
10	INSULATION - FRONT FRAME	PE	4H2317-06	1	1	1	1
11	PIPE COVER	G.S	3H0202-01	1	1	1	1
12	HINGE (RIGHT)	S.S	4H2583-01	1	1	1	1
13	HINGE (LEFT)	S.S	4H2584-01	1	1	1	1
14	HINGE SPACER (A)	S.S	4H0605-01	REQ'D			
15	HINGE SPACER (B)	S.S	4H0605-02	REQ'D			
16	DRAIN PAN	ABS	2H1441-02	1	1	1	1
17	DRAIN TUBE	SI	4H2585-01	1	1	1	1
18	DRAIN PIPE	ABS	4H1141-07	1	1	1	1
19	SLOPE	ABS	2H1349-02	1	1	1	1
20	TAPER COLLAR	S.S	4H0171-01	4	4	4	4
21	HOOK	S.S	404060-10	1	1	1	1



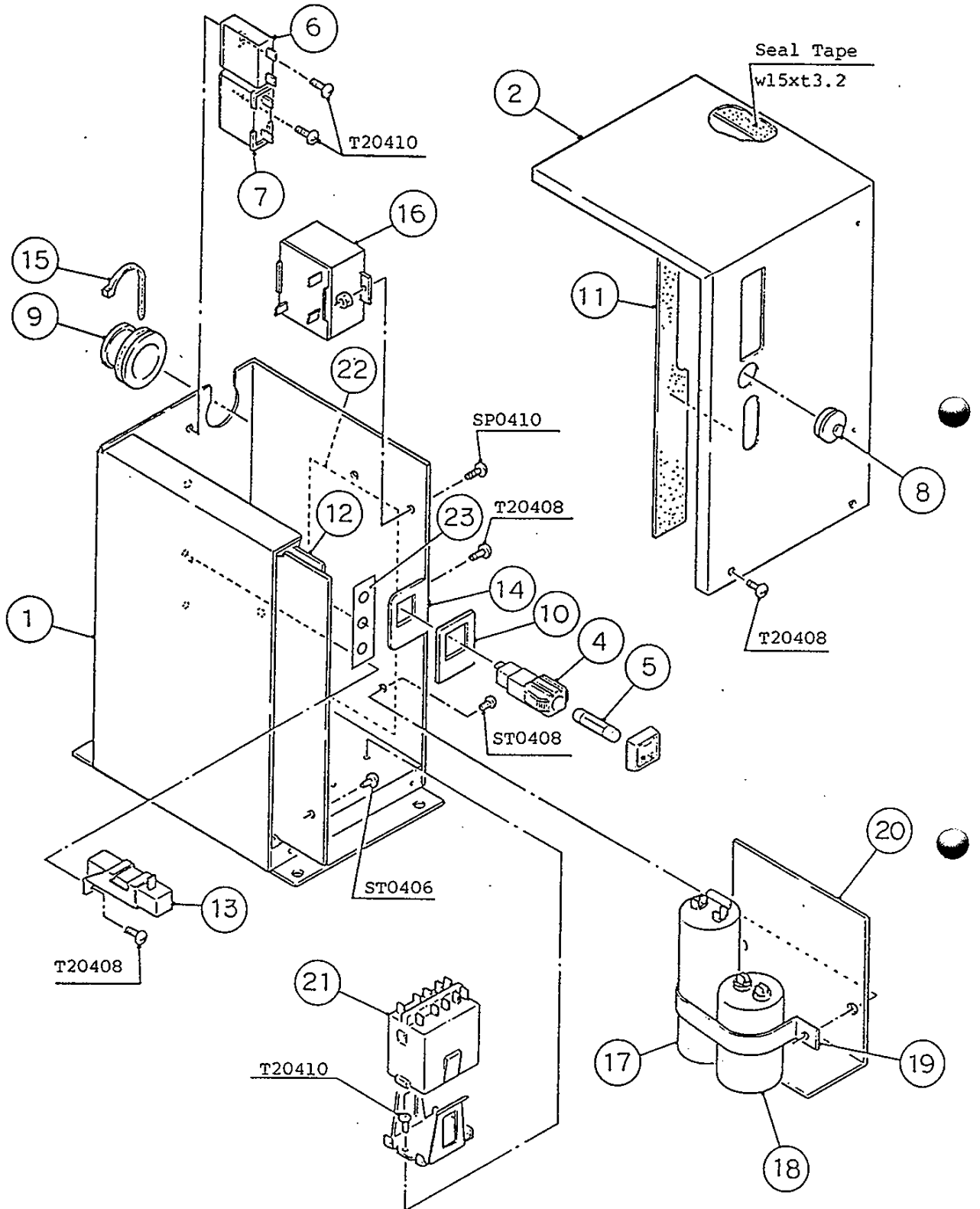
RINNAI (A-8325)

MODEL: IM-50K-25 TITLE: B. REFRIGERATION CIRCUIT							
INDEX NO.	DESCRIPTION	MATERIAL OR MODEL NUMBER	PART NUMBER	REQ'D NUMBER			
				B-1	B-2	B-3 C-0	C-1
H	FAN MOTOR ASSY	(S-0791)	3H5212A01	1	1	1	1
1	CHASSIS	PAINTED STEEL	3H3690G02	1	1	1	1
2	COMPRESSOR	KL100Y-5Z	439610-01	1	1	1	1
3	CONDENSER - AIR COOLED	-	2H0404-01	1	1	1	1
4	SHROUD	G.S	3H0903G01	1	1	1	1
5	COPPER TUBE (A) - HIGH SIDE	COPPER	4H7260G01	1	1	1	1
6	HOT GAS SOLENOID VALVE	ADS-24-HD	418866-02	1	1	1	1
7	DRIER	-	418461-01	1	1	1	1
8	PROCESS TUBE (A)	COPPER	4H4351-01	1	1	1	1
9	EVAPORATOR	TIN-PLATED COPPER	3H1700G01	1	1	1	1
10	TIE	CV-100	7920-0002	REQ'D			
11	HEAT EXCHANGER	COPPER	2H0605G04	1	1	1	1
12	COPPER TUBE (A) - HOT GAS	COPPER	3H5231G01	1	1	1	1
13	TIE	-	436156-01	1	1	1	1
14	INSULATION	PE	4H4753-01	1	1	1	1
15	RUBBER GROMMET	CR-N, NR	432252-01	4	4	4	4
16	WASHER CUSHION	CW	432248-01	4	4	4	4
17	BUSH CUSHION	BC	432249-01	4	4	4	4
18	OVERLOAD	4TM743RFBYY- 62	439612-01	1	1	1	1
19	CONNECTOR	-	435923-01	1	1	1	1
20	TERMINAL COVER		434797-01	1	1	1	1
21	COVER BAND	S.S	434798-01	1	1	1	1
22	PROCESS TUBE (B)	COPPER	4H3594-01	1	1	1	1
23	INSULATION TUBE (A)	ø10xø20, L=735	3H1235-05	1	1	1	1
24	INSULATION TUBE (D)	L=480	7762-1626	1	1	1	1
25	INSULATION TUBE (F)	L=965	7762-0717	1	1	1	1
26	HOT GAS PIPE (B)	COPPER	3H1931-01	1	1	1	1
27	COPPER TUBE (C)	COPPER	3H5016-01	1	1	1	1
28	INSULATION TUBE (G)	L=620	7762-1020	1	1	1	1



RINNAI (A-8325)

MODEL: IM-50K-25 TITLE: C. ICE MAKING MECHANISM ASSY							
INDEX NO.	DESCRIPTION	MATERIAL OR MODEL NUMBER	PART NUMBER	REQ'D NUMBER			
				B-1	B-2	B-3 C-0	C-1
J	BIN CONTROL SWITCH ASSY	(S-0421)	3H1537A01	1	1	1	-
		(S-0817)	3H1537A02				1
K	WATER PAN ASSY	-	-	1	1	1	1
1	ACTUATOR MOTOR	TC0530	421132-01	1	1	1	1
2	BRACKET - ACTUATOR MOTOR	G.S	3H1388-01	1	1	1	1
3	CAM (A)	AC	2H0659-01	1	1	1	1
4	CAM (B)	AC	3H1389-01	1	1	1	1
5	GUIDE - CONNECTOR	-	4H5618-02	1	1	1	1
6	BOARD SUPPORT	KGLS-4S	414929-02	3	3	3	3
7	TIE	CV-100	7920-0002	2	2	2	2
8	HOLDER	575	428644-02	1	1	1	1
9	CAM SHAFT	S.S	4H2589G01	1	1	1	1
10	SPLIT PIN	S.S, 2x12	711S-0212	1	1	1	1
11	SPRING	S.S	4H2590-01	2	2	2	2
12	TOGGLE SWITCH	VAT4-71	431977-01	1	1	1	1
13	WASHER - TOGGLE SWITCH	S.S	406196-01	1	1	1	1
14	SWITCH COVER	PE	408163-01	1	1	1	1
15	CAM SHAFT BEARING	ABS	307256-01	1	1	1	1
16	BEARING (FRONT) - WATER PAN	S.S	4H2591G01	1	1	1	1
17	BEARING (REAR) - WATER PAN	S.S	4H2592G01	1	1	1	1
18	SCREW - EVAPORATOR MOUNTING	S.S	4H2819-01	4	4	4	4
19	WASHER	AC	4H0777-01	4	4	4	4
20	SPACER	AC	4H1673G01	4	4	4	4
21	CLAMP	No. 2674	427902-02	1	1	1	1
22	SPRING PIN	S.S, 3x22	712S-0322	1	1	1	1
23	BRACKET - ICE MAKING MECHANISM	PAINTED STEEL	3H1699-01	1	1	1	1
24	INSULATION - ICE MAKING MECHANISM BRACKET	PE	4H1468-01	1	1	1	1
25	HOLDER - THERMISTOR	PE	315479-01	1	1	1	1



RINNAI (A-8325)

MODEL: IM-50K-25 TITLE: D. CONTROL BOX ASSY							
INDEX NO.	DESCRIPTION	MATERIAL OR MODEL NUMBER	PART NUMBER	REQ'D NUMBER			
				B-1	B-2	B-3 C-0	C-1
1	CONTROL BOX	G.S	3H4330G01	1	1	1	1
2	CONTROL BOX COVER	G.S	4H5711-01	1	1	1	1
3	SHIELD PLATE	G.S	4H2594-01	1	1	1	1
4	FUSE HOLDER	F-150-BB	438024-01	1	1	1	1
5	FUSE	5A	406519-03	1	1	1	1
6	CAPACITOR - ACTUATOR MOTOR	2.0UF	416921-02	1	1	1	x 1
		2.0UF	416921-08				o 1
7	CAPACITOR - PUMP MOTOR	4.0UF	416920-02	1	1	1	1
8	GROMMET - PUSH	-	4H2596-01	1	1	1	1
9	GROMMET	-	4H2568-01	1	1	1	1
10	PACKING	-	4H5704-01	1	1	1	1
11	CUSHION	20x210x2.5t	4H2718-01	1	1	1	1
12	CONTROLLER BOARD	-	436572-01	1	1	1	1
13	SURGE ABSORBER		436573-02	1	1	1	1
14	BRACKET - FUSE HOLDER	G.S	4H5710-01	1	1	1	1
15	NYLON TIE	RT60S	436157-01	1	1	1	1
16	STARTER	AMVL-300AT	439611-01	1	1	1	1
17	START CAPACITOR	220MS100-R	439613-01	1	1	1	1
18	RUN CAPACITOR	MFT-22140P	439614-01	1	1	1	1
19	STRAP - CAPACOTOR	G.S	4H6396-01	1	1	1	1
20	COVER - CAPACITOR	ABS	4H6501-01	1	1	1	1
21	MAGNETIC CONTACTOR	FMC-OTZ15-40	415856-03	1	1	1	1
22	LABEL - CONTROLLER BOARD	PVC FILM	437556-01	1	1	1	1
23	LABEL - VOLUME	PETP FILM	4H5338-01	1	1	1	1

