



HOSHIZAKI

> **IM-30CA**

daily ice production capacity of up to 30kg



Cube ice is perfectly symmetrical and leaves a good impression with its hard, crystal clear quality that melts very slowly; allowing customers to enjoy their favourite drink longer. The I-Fit series of cube ice maker produces standard size ice (28x28x32mm) that is applicable in many settings and designed for uncomplicated usage from start to finish.



> IM-30CA

**I-FIT
SERIES**

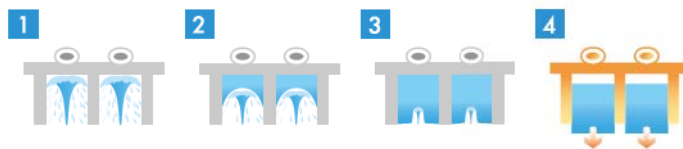
CUBE ICE MAKER SERIES

FEATURES

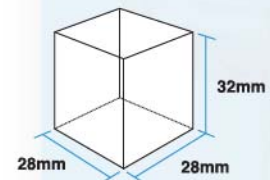
- > flush-back design for easy installation
- > round front door for quick access to ice
- > one-piece door design and pull-out air filter for simple cleaning
- > front water valve access for easy serviceability
- > sharp stainless steel exterior



UNIQUE ICE PRODUCTION SYSTEM

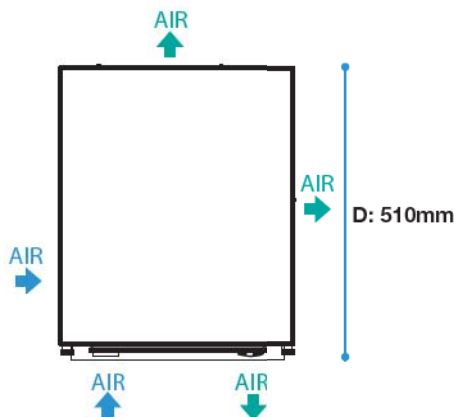


ICE SIZE

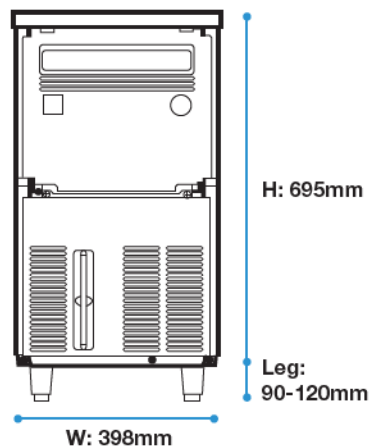


DIMENSIONS & SPECIFICATION

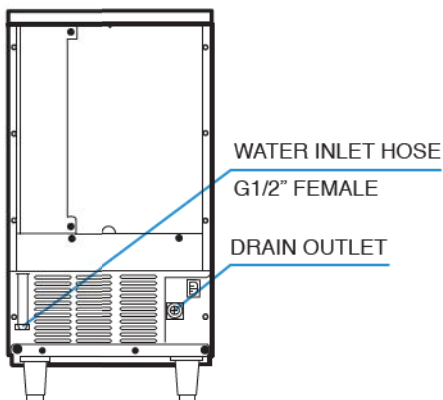
CUBE ICE MAKER
AIR SYSTEM TOP VIEW



FRONT VIEW



BACK VIEW



MODEL NAME		IM-30CA
ICE DIMENSIONS (MM) (W x D x H)		28 x 28 x 32
DIMENSIONS (MM) (W x D x H)		Body : 398 x 510 x 695 / Leg Height : 90-120 mm
PACKED DIMENSIONS (MM) (W x D x H)		490 x 610 x 880
WEIGHT (NETT/GROSS)		39 KG / 49 KG
AMPERAGE / STARTING AMPERAGE		1.7A / 9A
ELECTRICAL CONSUMPTION		250 W
REFRIGERANT CHARGE		R134a
HEAT REJECTION (AT32°C/WT21°C)		520 W (447 kcal/h)
ICE PRODUCTION PER 24H (15MM)	(AT10°C/WT10°C)	30 KG
	(AT21°C/WT15°C)	28 KG
	(AT32°C/WT21°C)	25 KG
WATER CONSUMPTION PER 24H (AT21°C/WT15°C)		0.07 m ³ 2.5L / 1KG ICE
ICE PRODUCTION (AT21°C/WT15°C)	FREEZE CYCLE TIME	21 MIN
	PER CYCLE	0.4 KG / 18 PCS
STORAGE CAPACITY		12 KG

• **WARRANTY:**
Two years parts & labour for entire unit, 3rd year on compressor only. Excluding door & exterior damages

• **OPERATING CONDITIONS:** • Voltage Range: ±6% • Ambient Temperature: 1°-40°C
• Water Supply: 5°-35°C / 0.07-0.8 Mpa / 7.25-116 PSI • AC Supply Voltage: 1/220-240V / 50 Hz

51