



# F-1501M\_J(-C)

Modular Ice Machine  
Slim-Line Series



F-1501M\_J(-C)  
03/31/17  
Item # 13339

**W x D x H**  
30" x 27<sup>3/8</sup>" x 34<sup>7/16</sup>"

**F-1501MAJ** ★  
Air-Cooled Flaker  
Shown on optional bin B-900

**F-1501MWJ**  
Water-Cooled Flaker

**F-1501MRJ** ★  
Remote Air-Cooled Flaker


**F-1501MAJ-C** ★  
Air-Cooled Cubelet

**F-1501MWJ-C**  
Water-Cooled Cubelet

**F-1501MRJ-C** ★  
Remote Air-Cooled Cubelet



## Features

- ▶ Durable stainless steel exterior
- ▶ Advanced CleanCycle24™ design 
- ▶ Stainless steel auger with greaseless bearing

- Flaker - Up to 1705 lbs. of ice production per 24 hours
- Cubelet - Up to 1376 lbs. of ice production per 24 hours
- Mount two units, side-by-side, in only 60" of floor space for double the amount of ice production
- 2 second flush cycle every hour
- Flush cycle removes sediment for cleaner ice
- Infrared bin control for easy cleaning and reliability
- R-404A Refrigerant

### Available on Bins:

B-250PF B-700PF/SF B-900PF/SF B-1300SS B-1650SS  
B-500PF/SF B-800PF/SF B-1150SS B-1500SS

Top kit may be required. See Bin Spec Sheets.

### Warranty:

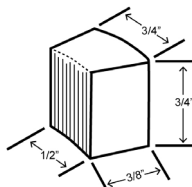
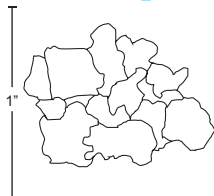
3 Year Parts & Labor on entire machine. 5 Year Parts on Compressor; air-cooled condenser coil. Valid in United States, Canada, Puerto Rico and U.S. Territories. Contact factory for warranty in other countries.

Condenser	Model	ICE PRODUCTION			WATER USAGE		ELECTRICAL				Heat Rejection BTU/hr.	Shipping Weight	ENERGY STAR®
		Air / Water Temp Lbs. per 24 hours 70°/ 50°F 90°/ 70°F	Type of Ice (Hardness Rating)	Potable Gal. per 100 lbs. 90°/ 70°F	Condenser Gal. per 100 lbs. 90°/ 70°F	kWh Used per 100 lbs. 90°/ 70°F	Max. Fuse Size or HACR Circuit Breaker	Amperage	Voltage				
Air-Cooled	F-1501MAJ	1543 1154	Flaked (75.5)	12.0	N/A	4.00	20A	15.9A	208-230/60/1	12,300	325 lbs.	★	
Water-Cooled	F-1501MWJ	1624 1410	Flaked (70.3)	12.0	105	3.20	20A	15.4A	208-230/60/1	12,900	325 lbs.		
Remote Air-Cooled	F-1501MRJ	1705 1370	Flaked (66.8)	12.0	N/A	3.44	20A	18.4A	208-230/60/1	12,300	325 lbs.	★	
Air-Cooled	F-1501MAJ-C	1327 1020	Cubelet (88.3)	12.0	N/A	4.61	20A	15.9A	208-230/60/1	12,300	325 lbs.	★	
Water-Cooled	F-1501MWJ-C	1376 1218	Cubelet (83.3)	12.0	123	3.76	20A	15.4A	208-230/60/1	12,800	325 lbs.		
Remote Air-Cooled	F-1501MRJ-C	1335 1125	Cubelet (86.7)	12.0	N/A	4.35	20A	18.4A	208-230/60/1	12,300	325 lbs.	★	

### Cube Dimensions\*

Flaked  
F-1501M\_J

Cubelet  
F-1501M\_J-C



\* approximate size in inches, image not to scale

### Operating Limits

- Ambient Temp Range 45 - 100°F
- Water Temp Range 45 - 90°F
- Water Pressure 10 - 113 PSIG
- Voltage Range 187-253V

### Service

- Panels easily removed and all components accessible for service.
- Removable/cleanable air filter (Air-cooled model only)
- Allow 6" (15 cm) clearance at rear and sides, and 24" (61 cm) clearance at top for proper air circulation and ease of maintenance/service.

### Plumbing

- Icemaker Water Supply Line: Minimum 1/4" Nominal ID Copper Water Tubing or Equivalent
- Icemaker Drain Line: Minimum 3/4" Nominal ID Hard Pipe or Equivalent
- Water-Cooled Model (Lines Must Be Independent of Icemaker)
- Condenser Water Supply Line: Minimum 1/4" Nominal ID Copper Water Tubing or Equivalent
- Condenser Drain/Return Line: Minimum 1/4" Nominal ID Hard Pipe (open drain system) or Copper Water Tubing (closed loop system) or Equivalent



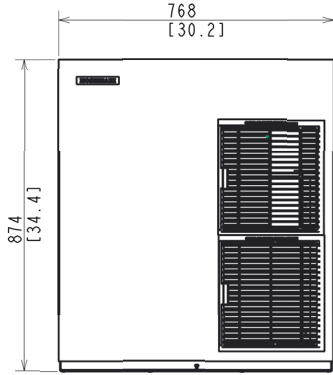
# F-1501M\_J(-C)

Modular Ice Machine  
Slim-Line Series

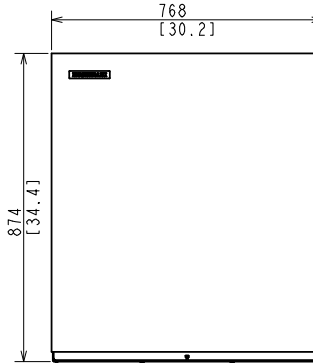


F-1501M\_J(-C)  
03/31/17  
Item # 13339

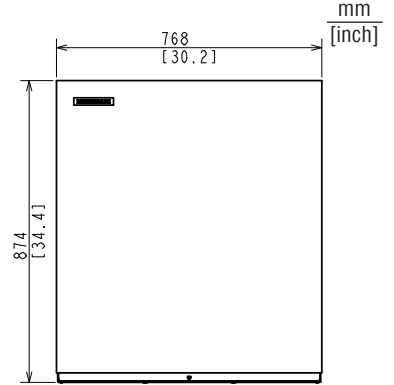
FRONT VIEW



AIR-COOLED

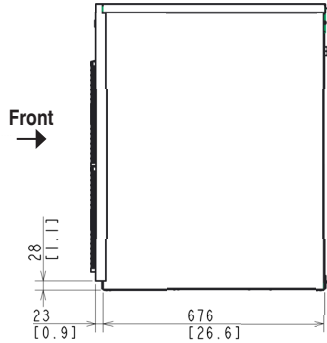


WATER-COOLED

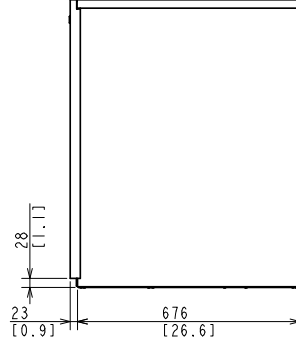


REMOTE AIR-COOLED

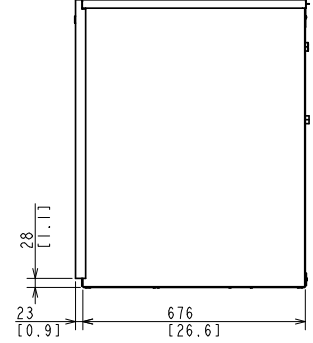
SIDE VIEW



AIR-COOLED

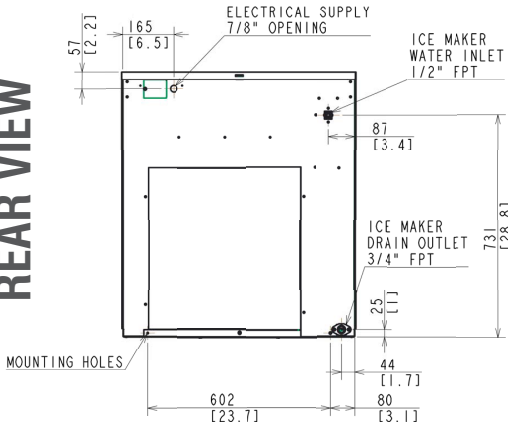


WATER-COOLED

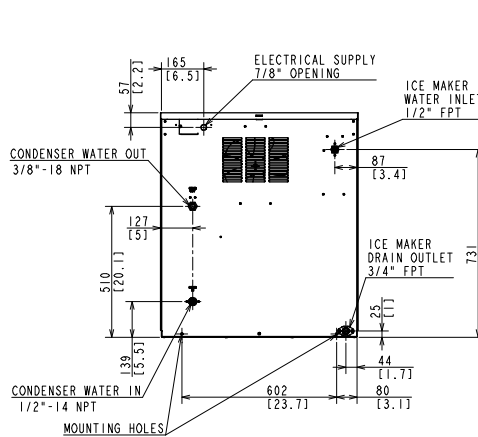


REMOTE AIR-COOLED

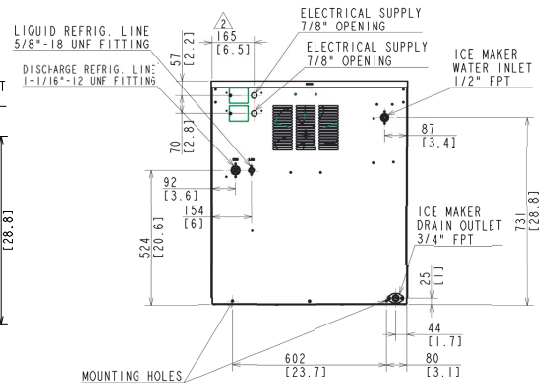
REAR VIEW



AIR-COOLED

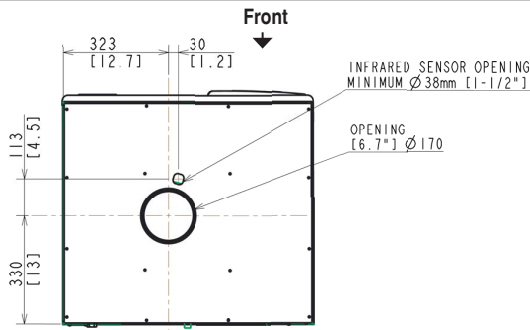


WATER-COOLED

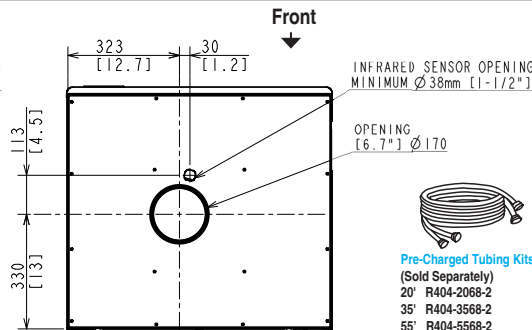


REMOTE AIR-COOLED

BOTTOM VIEW



AIR-COOLED



WATER-COOLED  
REMOTE AIR-COOLED

**URC-14F Remote Condenser (Sold Separately)**  
(W x D x H) 35<sup>11/16</sup> x 14<sup>1/16</sup> x 36<sup>1/2</sup>  
For Use with F-1501MRH(-C)



Pre-Charged Tubing Kits  
(Sold Separately)

- 20' R404-2068-2
- 35' R404-3568-2
- 55' R404-5568-2

Voltage supply for the URC Remote Condenser is supplied from the Ice Maker. No additional circuit is required.

