



# HOSHIZAKI

## Parts List

Modular Flaker

Models

F-1002MAJ(-C)(-SC)

F-1002MWJ(-C)

F-1002MRJ(Z)(-C)(-SC)

F-1002MLJ(-C)



[hoshizakiamerica.com](http://hoshizakiamerica.com)

Number: 71370  
Issued: 6-23-2016  
Revised: 6-26-2023

## CONTENTS

|  |    |
|--|----|
| Auxiliary Codes.....                           | 3  |
| Note About Ordering Parts .....                | 5  |
| A. Main Assembly & Refrigeration Circuit ..... | 6  |
| F-1002MAJ(-C)(-SC) .....                       | 6  |
| F-1002MWJ(-C).....                             | 9  |
| F-1002MRJ(Z)(-C)(-SC) .....                    | 12 |
| F-1002MLJ(-C) .....                            | 15 |
| B. Icemaking Unit .....                        | 18 |
| C. Water Circuit.....                          | 20 |
| D. Control Box Assembly.....                   | 22 |
| E. Accessories & Labels .....                  | 24 |

## Auxiliary Codes

### F-1002MAJ

F-0 July 2016  
G-0 January 2017  
G-1 June 2017  
H-0 January 2018  
H-1 September 2018  
J-0 January 2019  
J-1 April 2019  
J-2 July 2019  
J-3 August 2019  
K-0 January 2020  
K-1 December 2020  
L-0 January 2021  
L-1 June 2021  
L-2 November 2021  
M-0 February 2022  
M-1 May 2022  
N-0 January 2023

### F-1002MAJ-C

F-0 July 2016  
G-0 January 2017  
G-1 June 2017  
H-0 January 2018  
H-1 September 2018  
J-0 January 2019  
J-1 April 2019  
J-2 July 2019  
J-3 August 2019  
K-0 January 2020  
K-1 September 2020  
L-0 February 2021  
L-1 June 2021  
L-2 November 2021  
M-0 February 2022  
M-1 May 2022  
N-0 January 2023

### F-1002MAJ-SC

M-0 February 2022  
M-1 July 2022  
N-0 April 2023

### F-1002MWJ

F-0 July 2016  
G-0 February 2017  
G-1 June 2017  
H-0 January 2018  
H-1 September 2018  
J-0 January 2019  
J-1 April 2019  
J-2 July 2019  
J-3 August 2019  
K-0 January 2020  
K-1 September 2020  
L-0 January 2021  
L-1 August 2021  
L-2 November 2021  
M-0 February 2022  
M-1 May 2022  
N-0 April 2023

### F-1002MWJ-C

F-0 July 2016  
G-0 June 2017  
G-1 July 2017  
H-0 January 2018  
H-1 September 2018  
J-0 January 2019  
J-1 April 2019  
J-2 July 2019  
J-3 October 2019  
K-0 January 2020  
K-1 September 2020  
L-1 July 2021  
L-2 November 2021  
M-0 April 2022  
M-1 June 2022  
N-0 April 2023

**Auxiliary Codes  
(Continue)**

**F-1002MRJ**

F-0 July 2016  
G-0 January 2017  
G-1 July 2017  
H-0 February 2018  
H-1 September 2018  
J-0 January 2019  
J-1 May 2019  
J-2 September 2019  
J-3 August 2019  
K-0 January 2020  
K-1 August 2021  
L-0 January 2021

**F-1002MRJ-C**

F-0 July 2016  
G-0 January 2017  
G-1 June 2017  
H-0 January 2018  
H-1 September 2018  
J-0 January 2019  
J-1 April 2019  
J-2 July 2019  
J-3 September 2019  
K-0 January 2020  
K-1 September 2021  
L-0 January 2021  
L-1 July 2021

**F-1002MRJ-SC**

J-0 May 2019  
J-1 July 2019  
K-1 October 2020  
L-1 June 2021

**F-1002MRJZ**

L-0 October 2021  
L-1 November 2021  
M-0 February 2022  
M-1 May 2022  
M-2 July 2022  
N-0 April 2023

**F-1002MRJZ-C**

L-0 October 2021  
L-1 November 2021  
M-0 March 2022  
M-1 May 2022  
M-2 June 2022  
N-0 January 2023

**F-1002MRJZ-SC**

M-0 April 2022  
M-2 June 2022

**F-1002MLJ**

F-0 August 2016  
G-0 February 2017  
G-1 July 2017  
H-0 February 2018  
H-1 October 2018  
J-0 January 2019  
J-1 April 2019  
J-2 October 2019  
K-0 January 2020  
L-0 February 2021  
L-2 November 2021  
M-0 April 2022  
M-1 July 2022  
N-0 April 2023

**F-1002MLJ-C**

TBD

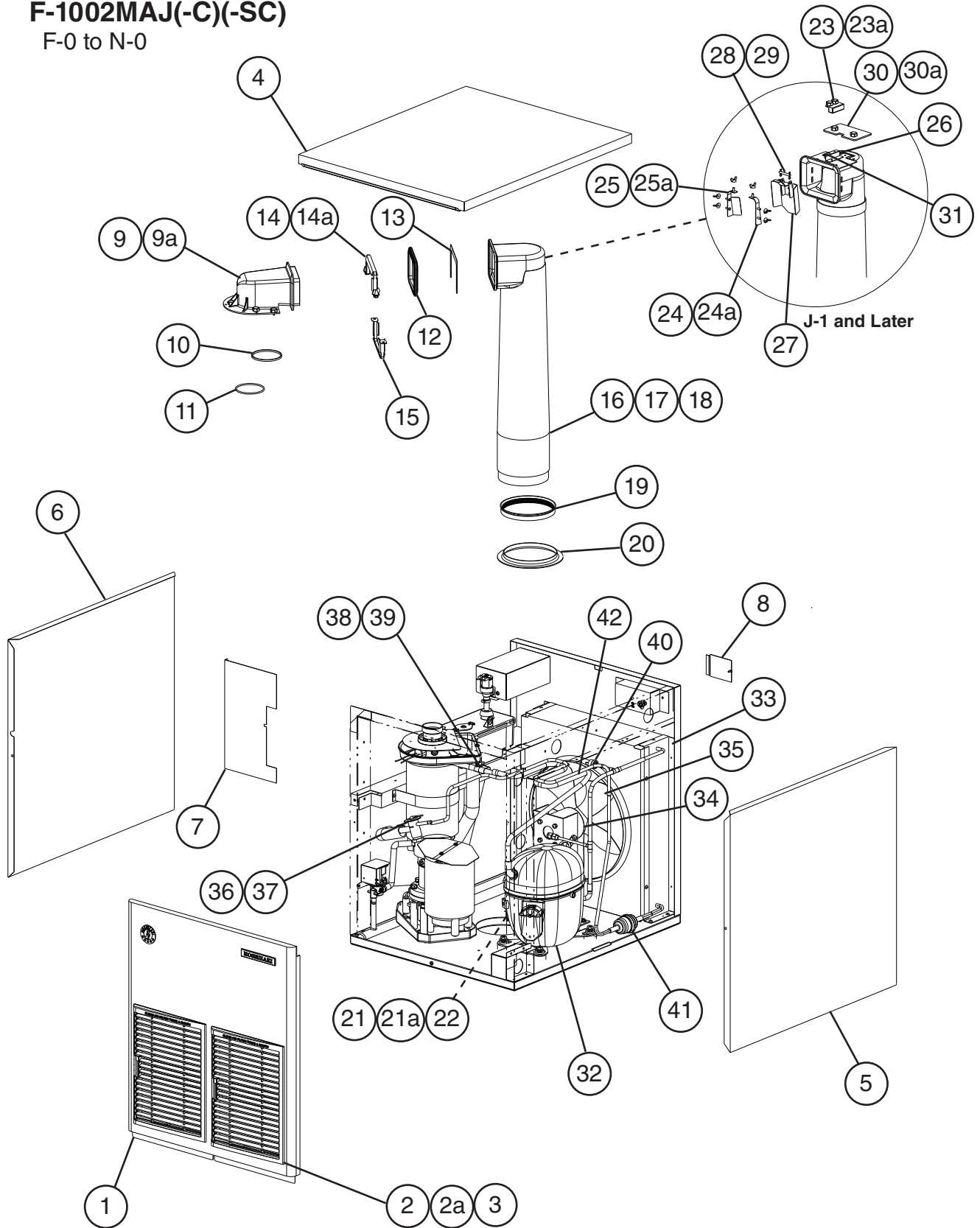
## **Auxiliary Code Breakdown**

The auxiliary code is the first two characters in the serial number. The first character indicates the year. Years progress or regress in alphabetical order. The series runs from "A" through "V" and the letters "I" and "O" are skipped. The second character indicates significant part changes within a year. Base is "0" and this number advances for each change. In cases where there is a letter in parentheses, this designates the month. This is the last character in the serial number. The series runs from "(A)" through "(M)" and the letter "(I)" is skipped. This designation is only included when identifying a parts change within an auxiliary code.

## **Note About Ordering Parts**

Most assemblies cannot be ordered as complete units; parts in the assemblies generally must be ordered separately.

**A. Main Assembly & Refrigeration Circuit**  
**F-1002MAJ(-C)(-SC)**  
 F-0 to N-0

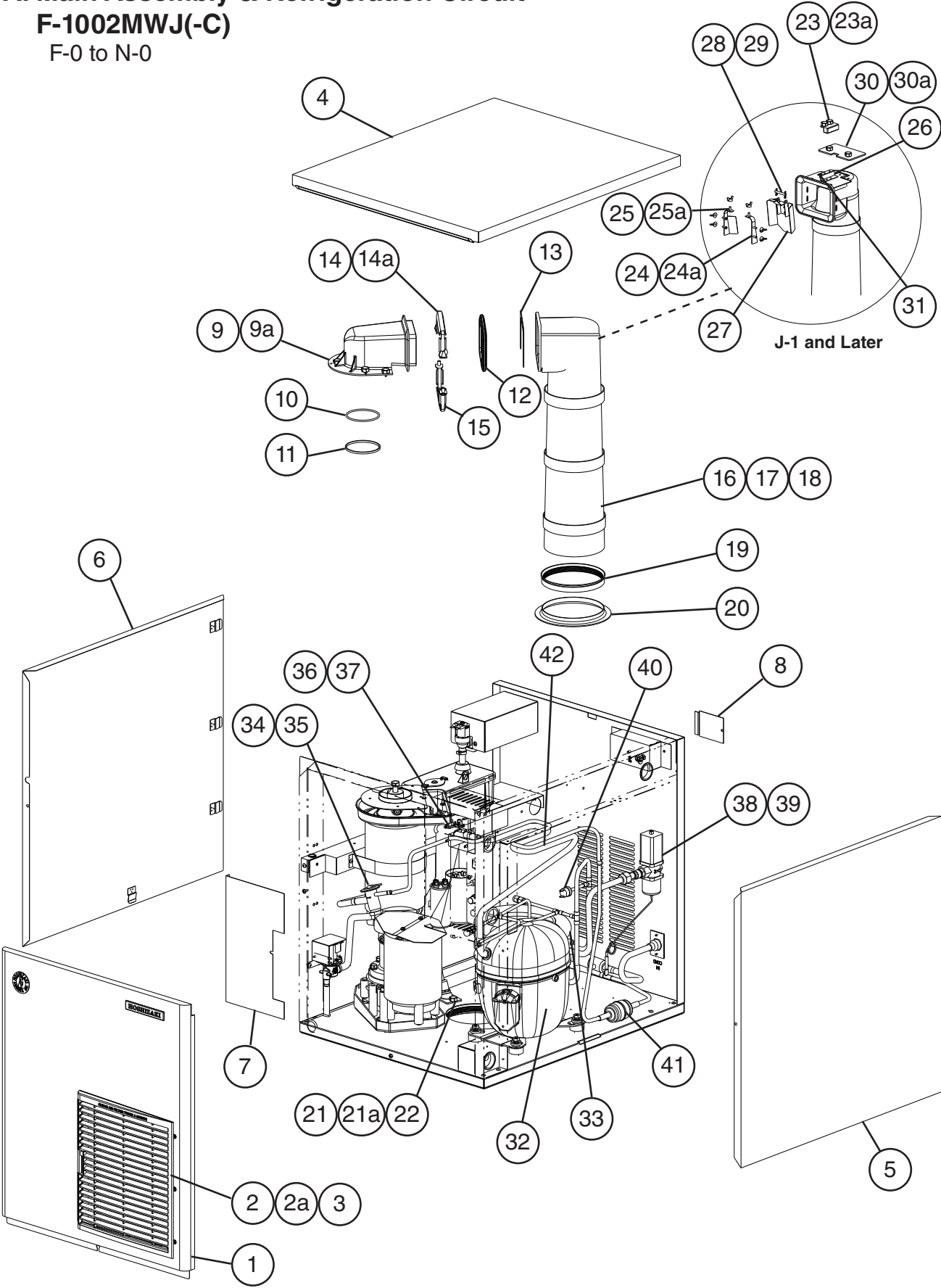


| Title: A. Main Assembly & Refrigeration Circuit Model: F-1002MAJ(-C) (-SC) |   |                          |             |                 |            |            |  |  |  |  |  |
|--|---|--------------------------|-------------|-----------------|------------|------------|--|--|--|--|--|
| Index No.  | Description   | Material or Model Number | Part Number | Required Number |            |            |  |  |  |  |  |
|  |   |                          |             | F-0 to G-1      | H-0 to J-0 | J-1 to N-0 |  |  |  |  |  |
| <b>Main Assembly</b>   |   |                          |             |                 |            |            |  |  |  |  |  |
| 1  | Front Panel   |                          | 2A9213A01   | 1               | 1          | -          |  |  |  |  |  |
|  |   |                          | 2A2071-01   |                 |            | 1          |  |  |  |  |  |
| 2  | Louver  |                          | 1A0548-01   | 2               | 2          | 2          |  |  |  |  |  |
| 2a   | Push Retainer   |                          | 4A2414-01   | 6               | 6          | 6          |  |  |  |  |  |
| 3  | Air Filter  |                          | 2A2063G01   | 2               | 2          | 2          |  |  |  |  |  |
| 4  | Top Panel   |                          | 2A2064-02   | 1               | 1          | 1          |  |  |  |  |  |
| 5  | Right Side Panel  |                          | 2A2073G01   | 1               | 1          | 1          |  |  |  |  |  |
| 6  | Left Side Panel   |                          | 2A2072G01   | 1               | 1          | 1          |  |  |  |  |  |
| 7  | Control Box Cover                                       |                          | 3A0411-01   | 1               | 1          | 1          |  |  |  |  |  |
| 8  | Junction Box Cover                                      |                          | 433410-01   | 1               | 1          | 1          |  |  |  |  |  |
| 9  | Spout   |                          | 104797-01   | 1               | 1          | 1          |  |  |  |  |  |
| 9a   | Thumbscrew  |                          | 415949G08   | 5               | 5          | 5          |  |  |  |  |  |
| 10   | O-Ring  |                          | 4A4755-03   | 1               | 1          | 1          |  |  |  |  |  |
| 11   | Nylon Ring  |                          | 432661-02   | 1               | 1          | 1          |  |  |  |  |  |
| 12   | Spout-to-Chute Packing                                  |                          | 321037-01   | 1               | 1          | 1          |  |  |  |  |  |
| 13   | Spout-to-Chute Bracket                                  |                          | 4A1712-01   | 1               | 1          | 1          |  |  |  |  |  |
| 14   | Upper Strap   |                          | 328703-02   | 1               | 1          | 1          |  |  |  |  |  |
| 14a  | Wing Nut  |                          | 7E12-0600   | 2               | 2          | 2          |  |  |  |  |  |
| 15   | Lower Strap   |                          | 321038G02   | 1               | 1          | 1          |  |  |  |  |  |
| 16   | Chute   |                          | 2A1919-03   | 1               | 1          | 1          |  |  |  |  |  |
| 17   | Chute Insulation  |                          | 2A1920-01   | 1               | 1          | 1          |  |  |  |  |  |
| 18   | Chute Tie   |                          | 436531G01   | 3               | -          |            |  |  |  |  |  |
| 19   | Chute Packing   |                          | 432877-01   | 1               | 1          | 1          |  |  |  |  |  |
| 20   | Ring  |                          | 3A1017-01   | 1               | 1          | 1          |  |  |  |  |  |
| 21   | Infrared Sensor   |                          | 4A4469-01   | 1               | 1          | 1          |  |  |  |  |  |
| 21a  | Thumbscrew  |                          | 415949G08   | 1               | 1          | 1          |  |  |  |  |  |
| 22   | Infrared Sensor Housing                                 |                          | 3A3478-02   | 1               | 1          | 1          |  |  |  |  |  |
| 23   | Bin Control 2 Proximity Switch (mechanical bin control) |                          | 4A2033-01   | 1               | 1          | -          |  |  |  |  |  |
| 23a  | Thumbscrew  |                          | 415949G10   | 2               | 2          | 2          |  |  |  |  |  |
| 24   | Chute Baffle A  |                          | 3A0400G01   | 1               | 1          | 1          |  |  |  |  |  |
| 24a  | Wing Nut  |                          | 7E12-0400   | 3               | 3          | 3          |  |  |  |  |  |
| 25   | Chute Baffle B  |                          | 3A0399G01   | 1               | 1          | 1          |  |  |  |  |  |
| 25a  | Wing Nut  |                          | 7E12-0400   | 3               | 3          | 3          |  |  |  |  |  |
| 26   | Bin Control 2 Bracket (mechanical bin control)          |                          | 3A1744G01   | 1               | 1          | -          |  |  |  |  |  |
| 27   | Actuator  |                          | 436848G01   | 1               | 1          | 1          |  |  |  |  |  |
| 28   | Shaft   |                          | 436851-01   | 1               | 1          | 1          |  |  |  |  |  |
| 29   | Snap Pin  |                          | 715S-0005   | 2               | 2          | 2          |  |  |  |  |  |
| 30   | Plate   |                          | 4A2039-01   | 1               | 1          | 1          |  |  |  |  |  |
| 30a  | Thumbscrew  |                          | 415949G10   | 2               | 2          | 2          |  |  |  |  |  |
| 31   | Truss Head Screw (ground)                               |                          | 7C32-0408   | 1               | 1          | 1          |  |  |  |  |  |

| Title: A. Main Assembly & Refrigeration Circuit Model: F-1002MAJ(-C) (-SC) |  |                          |             |                 |            |            |  |  |  |  |  |
|--|--|--------------------------|-------------|-----------------|------------|------------|--|--|--|--|--|
| Index No.  | Description                              | Material or Model Number | Part Number | Required Number |            |            |  |  |  |  |  |
|  |  |                          |             | F-0 to G-1      | H-0 to J-0 | J-1 to N-0 |  |  |  |  |  |
| <b>Refrigeration Circuit</b>   |  |                          |             |                 |            |            |  |  |  |  |  |
| 32   | Compressor                               |                          | 4A5669-01   | 1               | 1          | 1          |  |  |  |  |  |
| 33   | Air-cooled Condenser                     |                          | 211663-02   | 1               | 1          | 1          |  |  |  |  |  |
| 34   | Fan Motor                                |                          | 4A3158-01   | 1               | 1          | 1          |  |  |  |  |  |
| 35   | Fan Blade                                |                          | 4A0197-01   | 1               | 1          | 1          |  |  |  |  |  |
| 36   | Thermostatic Expansion Valve             |                          | 4A3493-01   | 1               | 1          | 1          |  |  |  |  |  |
| 37   | Thermostatic Expansion Valve Cover       |                          | 4A1168-01   | 1               | 1          | 1          |  |  |  |  |  |
| 38   | Thermostatic Expansion Valve Bulb Holder |                          | 3A0112-01   | 1               | 1          | 1          |  |  |  |  |  |
| 39   | Clamp                                    |                          | 443461-01   | 1               | 1          | 1          |  |  |  |  |  |
| 40   | High-Pressure Switch                     |                          | 463180-04   | 1               | 1          | 1          |  |  |  |  |  |
| 41   | Drier                                    |                          | 4A2666-01   | 1               | 1          | 1          |  |  |  |  |  |
| 42   | Heat Exchanger                           |                          | 3A7886G01   | 1               | 1          | 1          |  |  |  |  |  |



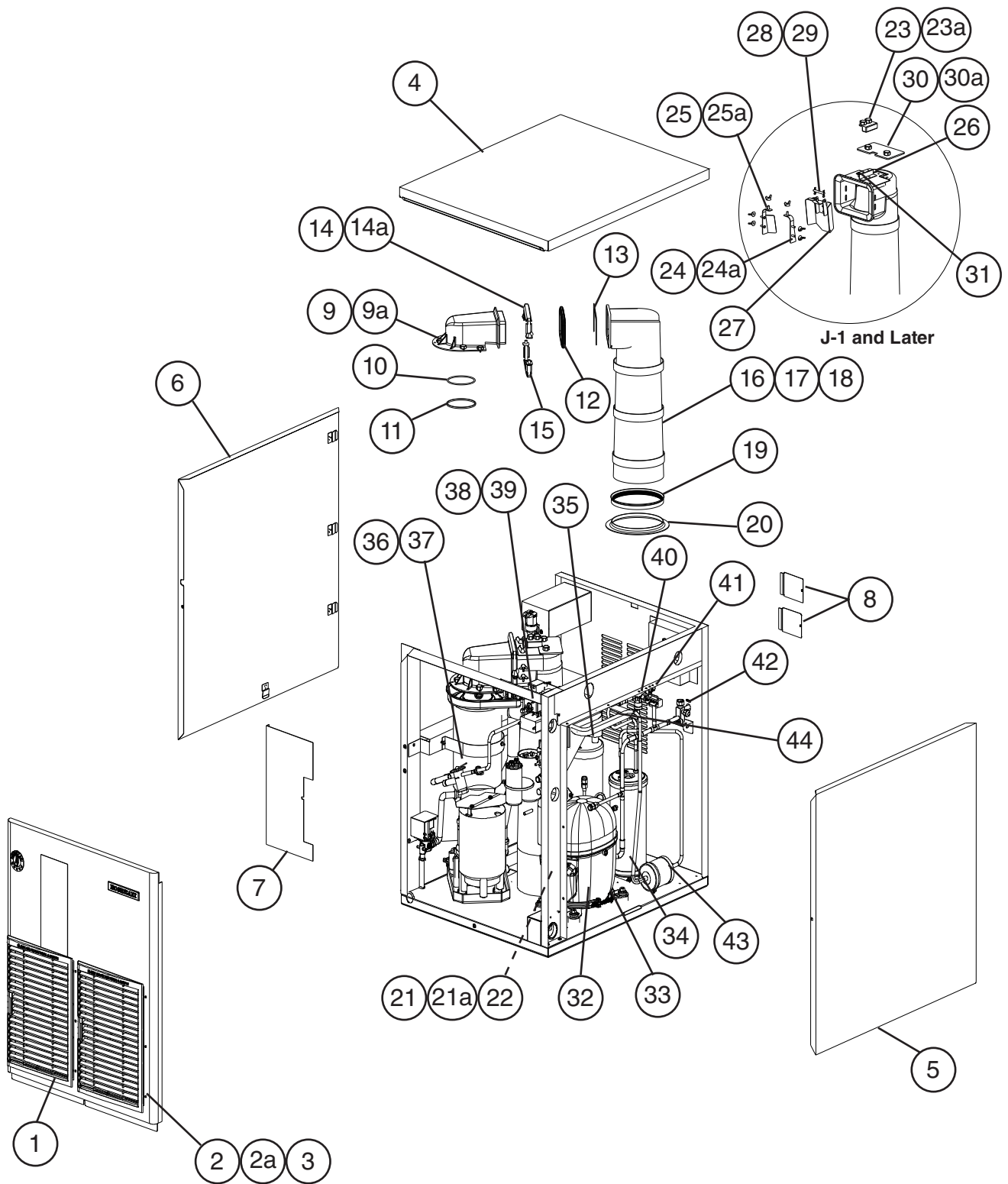
**A. Main Assembly & Refrigeration Circuit**  
**F-1002MWJ(-C)**  
 F-0 to N-0



| Title: A. Main Assembly & Refrigeration Circuit Model: F-1002MWJ(-C) |  |                          |             |                 |         |     |            |  |  |  |  |  |  |
|--|--|--------------------------|-------------|-----------------|---------|-----|------------|--|--|--|--|--|--|
| Index No.  | Description                                    | Material or Model Number | Part Number | Required Number |         |     |            |  |  |  |  |  |  |
|  |  |                          |             | F-0 to G-1      | H-0 H-1 | J-0 | J-1 to N-0 |  |  |  |  |  |  |
| <b>Main Assembly</b>   |  |                          |             |                 |         |     |            |  |  |  |  |  |  |
| 1  | Front Panel                                    |                          | 2A2124-01   | 1               | 1       | -   |            |  |  |  |  |  |  |
|  |  |                          | 2A2071-01   |                 |         | 1   | 1          |  |  |  |  |  |  |
| 2  | Louver   |                          | 1A0547-01   | 1               | 1       | -   |            |  |  |  |  |  |  |
|  |  |                          | 1A0548-01   |                 |         | 2   | 2          |  |  |  |  |  |  |
| 2a   | Push Retainer                                  |                          | 4A2414-01   | 3               | 3       | -   |            |  |  |  |  |  |  |
| 3  | Air Filter                                     |                          | 2A2062G01   | 1               | 1       | -   |            |  |  |  |  |  |  |
|  |  |                          | 2A2063G01   |                 |         | 2   | 2          |  |  |  |  |  |  |
| 4  | Top Panel                                      |                          | 2A2064-02   | 1               | 1       | 1   | 1          |  |  |  |  |  |  |
| 5  | Right Side Panel                               |                          | 2A2073G01   | 1               | 1       | 1   | 1          |  |  |  |  |  |  |
| 6  | Left Side Panel                                |                          | 2A2072G01   | 1               | 1       | 1   | 1          |  |  |  |  |  |  |
| 7  | Control Box Cover                              |                          | 3A0411-01   | 1               | 1       | 1   | 1          |  |  |  |  |  |  |
| 8  | Junction Box Cover                             |                          | 433410-01   | 1               | 1       | 1   | 1          |  |  |  |  |  |  |
| 9  | Spout  |                          | 104797-01   | 1               | 1       | 1   | 1          |  |  |  |  |  |  |
| 9a   | Thumbscrew                                     |                          | 415949G08   | 5               | 5       | 5   | 5          |  |  |  |  |  |  |
| 10   | O-Ring   |                          | 4A4755-03   | 1               | 1       | 1   | 1          |  |  |  |  |  |  |
| 11   | Nylon Ring                                     |                          | 432661-02   | 1               | 1       | 1   | 1          |  |  |  |  |  |  |
| 12   | Spout-to-Chute Packing                         |                          | 321037-01   | 1               | 1       | 1   | 1          |  |  |  |  |  |  |
| 13   | Spout-to-Chute Bracket                         |                          | 4A1712-01   | 1               | 1       | 1   | 1          |  |  |  |  |  |  |
| 14   | Upper Strap                                    |                          | 328703-02   | 1               | 1       | 1   | 1          |  |  |  |  |  |  |
| 14a  | Wing Nut                                       |                          | 7E12-0600   | 2               | 2       | 2   | 2          |  |  |  |  |  |  |
| 15   | Lower Strap                                    |                          | 321038G02   | 1               | 1       | 1   | 1          |  |  |  |  |  |  |
| 16   | Chute  |                          | 2A1919-03   | 1               | 1       | 1   | -          |  |  |  |  |  |  |
|  |  |                          | 2A1919-01   |                 |         |     | 1          |  |  |  |  |  |  |
| 17   | Chute Insulation                               |                          | 2A1920-01   | 1               | 1       | 1   | 1          |  |  |  |  |  |  |
| 18   | Chute Tie                                      |                          | 436531G01   | 3               | -       |     |            |  |  |  |  |  |  |
| 19   | Chute Packing                                  |                          | 432877-01   | 1               | 1       | 1   | 1          |  |  |  |  |  |  |
| 20   | Ring   |                          | 3A1017-01   | 1               | 1       | 1   | 1          |  |  |  |  |  |  |
| 21   | Infrared Sensor                                |                          | 4A4469-01   | 1               | 1       | 1   | 1          |  |  |  |  |  |  |
| 21a  | Thumbscrew                                     |                          | 415949G08   | 1               | 1       | 1   | 1          |  |  |  |  |  |  |
| 22   | Infrared Sensor Housing                        |                          | 3A3478-01   | 1               | 1       | 1   | 1          |  |  |  |  |  |  |
| 23   | Bin Control 2 Bracket (mechanical bin Control) |                          | 3A1744G01   | 1               | 1       | 1   | 1          |  |  |  |  |  |  |
| 23a  | Thumbscrew                                     |                          | 415949G10   | 2               | 2       | 2   | 2          |  |  |  |  |  |  |
| 24   | Chute Baffle A                                 |                          | 3A0400G01   | 1               | 1       | 1   | 1          |  |  |  |  |  |  |
| 24a  | Wing Nut                                       |                          | 7E12-0400   | 3               | 3       | 3   | 3          |  |  |  |  |  |  |
| 25   | Chute Baggle B                                 |                          | 3A0399G01   | 1               | 1       | 1   | 1          |  |  |  |  |  |  |
| 25a  | Wing Nut                                       |                          | 7E12-0400   | 3               | 3       | 3   | 3          |  |  |  |  |  |  |
| 26   | Bin Control 2 Bracket (mechanical bin control) |                          | 3A1744G01   | 1               | 1       | 1   | 1          |  |  |  |  |  |  |
| 27   | Actuator                                       |                          | 436848G01   | 1               | 1       | 1   | 1          |  |  |  |  |  |  |
| 28   | Shaft  |                          | 436851-01   | 1               | 1       | 1   | 1          |  |  |  |  |  |  |
| 29   | Snap Pin                                       |                          | 715S-0005   | 2               | 2       | 2   | 2          |  |  |  |  |  |  |
| 30   | Plate  |                          | 4A2039-01   | 1               | 1       | 1   | 1          |  |  |  |  |  |  |
| 30a  | Thumbscrew                                     |                          | 415949G10   | 2               | 2       | 2   | 2          |  |  |  |  |  |  |
| 31   | Truss Head Screw (ground)                      |                          | 7C32-0408   | 1               | 1       | 1   | 1          |  |  |  |  |  |  |

| Title: A. Main Assembly & Refrigeration Circuit Model: F-1002MWJ(-C) |  |                          |             |                 |         |     |            |  |  |  |  |  |
|--|--|--------------------------|-------------|-----------------|---------|-----|------------|--|--|--|--|--|
| Index No.  | Description                              | Material or Model Number | Part Number | Required Number |         |     |            |  |  |  |  |  |
|  |  |                          |             | F-0 to G-1      | H-0 H-1 | J-0 | J-1 to N-0 |  |  |  |  |  |
| <b>Refrigeration Circuit</b>   |  |                          |             |                 |         |     |            |  |  |  |  |  |
| 32   | Compressor                               |                          | 4A5669-01   | 1               | 1       | 1   | 1          |  |  |  |  |  |
| 33   | Water-cooled Condenser                   |                          | 3A7321-01   | 1               | 1       | 1   | 1          |  |  |  |  |  |
| 34   | Thermostatic Expansion Valve             |                          | 4A1117-01   | 1               | 1       | 1   | -          |  |  |  |  |  |
|  |  |                          | 4A3493-01   |                 |         |     | 1          |  |  |  |  |  |
| 35   | Thermostatic Expansion Valve Cover       |                          | 4A1168-01   | 1               | 1       | 1   | 1          |  |  |  |  |  |
| 36   | Thermostatic Expansion Valve Bulb Holder |                          | 3A0112-01   | 1               | 1       | 1   | 1          |  |  |  |  |  |
| 37   | Clamp                                    |                          | 443461-01   | 1               | 1       | 1   | 1          |  |  |  |  |  |
| 38   | Water Regulating valve                   |                          | 4A0911-07   | 1               | 1       | 1   | 1          |  |  |  |  |  |
| 39   | Male Connector                           |                          | 4A1087-01   | 1               | 1       | 1   | 1          |  |  |  |  |  |
| 40   | High-Pressure Switch                     |                          | 463180-05   | 1               | 1       | 1   | 1          |  |  |  |  |  |
| 41   | Drier                                    |                          | 4A2666-01   | 1               | 1       | 1   | 1          |  |  |  |  |  |
| 42   | Heat Exchanger                           |                          | 3A7886G01   | 1               | 1       | 1   | 1          |  |  |  |  |  |

**A. Main Assembly & Refrigeration Circuit**  
**F-1002MRJ(Z)(-C)(-SC)**  
 F-0 to N-0



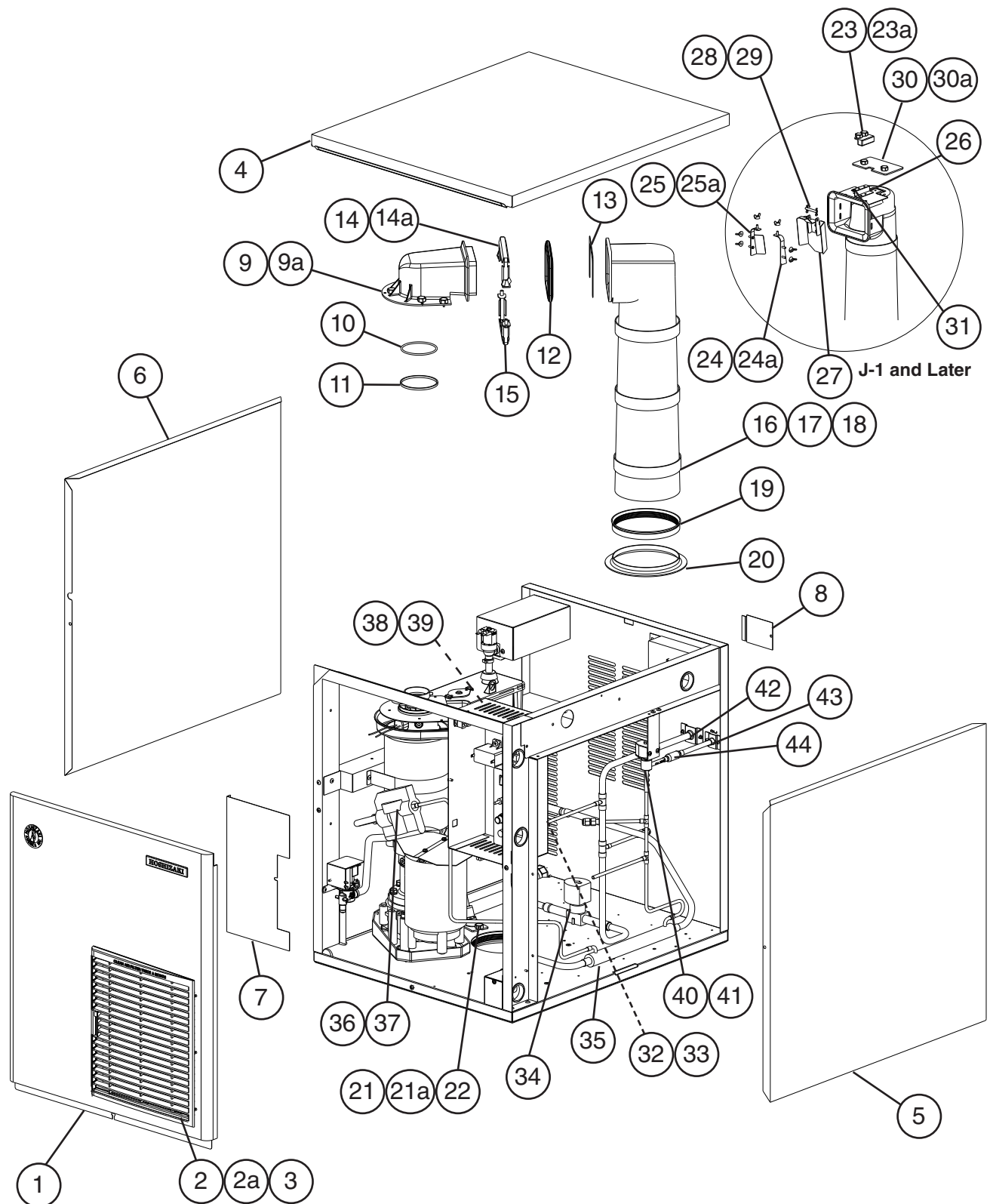
| Title: A. Main Assembly & Refrigeration Circuit Model: F-1002MRJ(Z)(-C)(-SC) |  |                          |             |                 |         |         |     |            |            |   |
|--|--|--------------------------|-------------|-----------------|---------|---------|-----|------------|------------|---|
| Index No.  | Description  | Material or Model Number | Part Number | Required Number |         |         |     |            |            |   |
|  |  |                          |             | F-0 to G-1      | H-0 H-1 | J-0 J-1 | J-2 | J-3 to K-1 | L-0 to N-0 |   |
| <b>Main Assembly</b>   |  |                          |             |                 |         |         |     |            |            |   |
| 1  | Front Panel  | F-1002MRJ                | 2A2071-01   | 1               | 1       | 1       | 1   | 1          | 1          | 1 |
|  |  | F-1002MRJ-C              | 2A2071-01   | 1               | 1       | 1       | 1   | 1          | 1          | 1 |
|  | Front Panel<br>(Includes items 2, 2a and 3)                | F-1002MRJ-SC             | 2A9213A01   |                 |         | 1       | 1   | 1          | 1          | 1 |
|  |  | F-1002MRJZ               | 3B1080G01   |                 |         |         |     |            |            | 1 |
| 2  | Louver   |                          | 1A0547-01   | 1               | 1       | -       |     |            |            |   |
|  |  |                          | 1A0548-01   |                 |         | 2       | 2   | 2          | 2          | 2 |
| 2a   | Push Retainer  |                          | 4A2414-01   | 3               | 3       | -       |     |            |            |   |
| 3  | Air Filter   |                          | 2A2062G01   | 1               | 1       | -       |     |            |            |   |
|  |  |                          | 2A2063G01   |                 |         | 2       | 2   | 2          | 2          | 2 |
| 4  | Top Panel  |                          | 2A2064-02   | 1               | 1       | 1       | 1   | 1          | 1          | 1 |
| 5  | Right Side Panel   |                          | 2A2073G01   | 1               | 1       | 1       | 1   | 1          | 1          | 1 |
| 6  | Left Side Panel  |                          | 2A2072G01   | 1               | 1       | 1       | 1   | 1          | 1          | 1 |
| 7  | Control Box Cover  |                          | 3A0411-01   | 1               | 1       | 1       | 1   | 1          | 1          | 1 |
| 8  | Junction Box Cover   |                          | 433410-01   | 2               | 2       | 2       | 2   | 2          | 2          | 2 |
| 9  | Spout  |                          | 104797-01   | 1               | 1       | 1       | 1   | 1          | 1          | 1 |
| 9a   | Thumbscrew   |                          | 415949G08   | 5               | 5       | 5       | 5   | 5          | 5          | 5 |
| 10   | O-Ring   |                          | 4A4755-03   | 1               | 1       | 1       | 1   | 1          | 1          | 1 |
| 11   | Nylon Ring   |                          | 432661-02   | 1               | 1       | 1       | 1   | 1          | 1          | 1 |
| 12   | Spout-to-Chute Packing                                     |                          | 321037-01   | 1               | 1       | 1       | 1   | 1          | 1          | 1 |
| 13   | Spout-to-Chute Bracket                                     |                          | 4A1712-01   | 1               | 1       | 1       | 1   | 1          | 1          | 1 |
| 14   | Upper Strap  |                          | 328703-02   | 1               | 1       | 1       | 1   | 1          | 1          | 1 |
| 14a  | Wing Nut   |                          | 7E12-0600   | 2               | 2       | 2       | 2   | 2          | 2          | 2 |
| 15   | Lower Strap  |                          | 321038G02   | 1               | 1       | 1       | 1   | 1          | 1          | 1 |
| 16   | Chute  |                          | 2A1919-03   | 1               | 1       | -       |     |            |            |   |
|  |  |                          | 2A1919-01   |                 |         |         | 1   | 1          | 1          | 1 |
| 17   | Chute Insulation   |                          | 2A1920-01   | 1               | 1       | 1       | 1   | 1          | 1          | 1 |
| 18   | Chute Tie  |                          | 436531G01   | 3               | -       |         |     |            |            |   |
| 19   | Chute Packing  |                          | 432877-01   | 1               | 1       | 1       | 1   | 1          | 1          | 1 |
| 20   | Ring   |                          | 3A1017-01   | 1               | 1       | 1       | 1   | 1          | 1          | 1 |
| 21   | Infrared Sensor  |                          | 4A4469-01   | 1               | 1       | 1       | 1   | 1          | 1          | 1 |
| 21a  | Thumbscrew   |                          | 415949G08   | 1               | 1       | 1       | 1   | 1          | 1          | 1 |
| 22   | Infrared Sensor Housing                                    |                          | 3A3478-01   | 1               | 1       | 1       | 1   | 1          | 1          | 1 |
| 23   | Bin Control 2 Proximity Switch<br>(mechanical bin control) |                          | 4A2033-01   |                 |         |         | 1   | 1          | 1          | 1 |
| 23a  | Thumbscrew   |                          | 415949G10   |                 |         |         | 2   | 2          | 2          | 2 |
| 24   | Churte Baffle A  |                          | 3A0400G01   |                 |         |         | 1   | 1          | 1          | 1 |
| 24a  | Wing Nut   |                          | 7E12-0400   |                 |         |         | 3   | 3          | 3          | 3 |
| 25   | Chute Baffle B   |                          | 3A0399G01   |                 |         |         | 1   | 1          | 1          | 1 |
| 25a  | Wing Nut   |                          | 7E12-0400   |                 |         |         | 3   | 3          | 3          | 3 |
| 26   | Bin Control 2 Bracket<br>(mechanical bin control)          |                          | 3A1744G01   |                 |         |         | 1   | 1          | 1          | 1 |
| 27   | Actuator   |                          | 436848G01   |                 |         |         | 1   | 1          | 1          | 1 |
| 28   | Shaft  |                          | 436851-01   |                 |         |         | 1   | 1          | 1          | 1 |

| Title: A. Main Assembly & Refrigeration Circuit Model: F-1002MRJ(Z)(-C)(-SC) |  |   |             |                 |         |     |     |     |            |            |   |
|--|--|---|-------------|-----------------|---------|-----|-----|-----|------------|------------|---|
| Index No.  | Description                              | Material or Model Number                          | Part Number | Required Number |         |     |     |     |            |            |   |
|  |  |   |             | F-0 to G-1      | H-0 H-1 | J-0 | J-1 | J-2 | J-3 to K-1 | L-0 to N-0 |   |
| 29   | Snap Pin                                 |   | 715S-0005   |                 |         |     | 2   | 2   | 2          | 2          |   |
| 30   | Plate                                    |   | 4A2039-01   |                 |         |     | 1   | 1   | 1          | 1          |   |
| 30a  | Thumbscrew                               |   | 415949G10   |                 |         |     | 2   | 2   | 2          | 2          |   |
| 31   | Truss Head Screw (ground)                |   | 7C32-0408   |                 |         |     | 1   | 1   | 1          | 1          |   |
| <b>Refrigeration Circuit</b>   |  |   |             |                 |         |     |     |     |            |            |   |
| 32   | Compressor                               |   | 4A5669-01   | 1               | 1       | 1   | 1   | 1   | 1          | 1          |   |
| 33   | Crankcase Heater                         |   | 4A5091-01   | 1               | 1       | 1   | 1   | 1   | 1          | 1          |   |
| 34   | Receiver Tank                            |   | 437596-01   | 1               | 1       | -   |     |     |            |            |   |
|  |  |   | 4A6212-01   |                 |         | 1   | 1   | 1   | 1          | 1          |   |
| 35   | Accumulator                              |   | 3A4276-01   |                 |         |     |     | 1   | 1          | 1          |   |
| 36   | Thermostatic Expansion Valve             |   | 4A3493-01   | 1               | 1       | 1   | 1   | 1   | 1          | 1          |   |
| 37   | Thermostatic Expansion Valve Cover       |   | 4A1168-01   | 1               | 1       | 1   | 1   | 1   | 1          | 1          |   |
| 38   | Thermostatic Expansion Valve Bulb Holder | F-1002MRJ<br>F-1002MRJ-C<br>F-1002MRJ-SC          | 3A0112-01   | 1               | 1       | 1   | 1   | 1   | 1          | 1          |   |
|  |  | F-1002MRJ(Z)<br>F-1002MRJZ(-C)<br>F-1002MRJZ(-SC) | 4A5641-01   |                 |         |     |     |     |            | 1          | 1 |
| 39   | Clamp                                    | F-1002MRJ<br>F-1002MRJ-C<br>F-1002MRJ-SC          | 443461-01   | 1               | 1       | 1   | 1   | 1   | 1          | 1          |   |
|  |  | F-1002MRJZ<br>F-1002MRJZ(-C)<br>F-1002MRJZ(-SC)   | 4A2017-02   |                 |         |     |     |     |            | 1          |   |
|  |  | F-1002MRJZ<br>F-1002MRJZ(-C)<br>F-1002MRJZ(-SC)   | 4A2017-05   |                 |         |     |     |     |            | 1          |   |
|  |  | F-1002MRJZ<br>F-1002MRJZ(-C)<br>F-1002MRJZ(-SC)   | 4A2017-06   |                 |         |     |     |     |            | 1          |   |
|  |  | F-1002MRJZ<br>F-1002MRJZ(-C)<br>F-1002MRJZ(-SC)   | 4A2017-08   |                 |         |     |     |     |            | 1          |   |
| 40   | High-Pressure Switch                     |   | 463180-04   | 1               | 1       | 1   | 1   | 1   | 1          | 1          |   |
| 41   | Discharge Line Coupling                  | F-1002MRJ<br>F-1002MRJ(-C)<br>F-1002MRJ(-SC)      | 434132G01   | 1               | 1       | 1   | 1   | 1   | 1          | 1          |   |
|  | Discharge Line Service Valve             | F-1002MRJ(Z)<br>F-1002MRJZ(-C)<br>F-1002MRJZ(-SC) | 4A3420-01   |                 |         |     |     |     |            | 1          |   |
| 42   | Liquid Line Coupling                     | F-1002MRJ<br>F-1002MRJ(-C)<br>F-1002MRJ(-SC)      | 433751G01   | 1               | 1       | 1   | 1   | 1   | 1          | 1          |   |
|  | Liquid Line Service Valve                | F-1002MRJ(Z)<br>F-1002MRJZ(-C)<br>F-1002MRJZ(-SC) | 4A3491-01   |                 |         |     |     |     |            | 1          |   |
| 43   | Drier                                    |   | 4A1338-01   | 1               | 1       | 1   | 1   | 1   | 1          | 1          |   |
| 44   | Heat Exchanger                           |   | 3A7886G01   | 1               | 1       | 1   | 1   | -   |            |            |   |
|  |  |   | 3B0344G01   |                 |         |     |     | 1   | 1          | 1          |   |

# A. Main Assembly & Refrigeration Circuit

## F-1002MLJ(-C)

F-0 to N-0

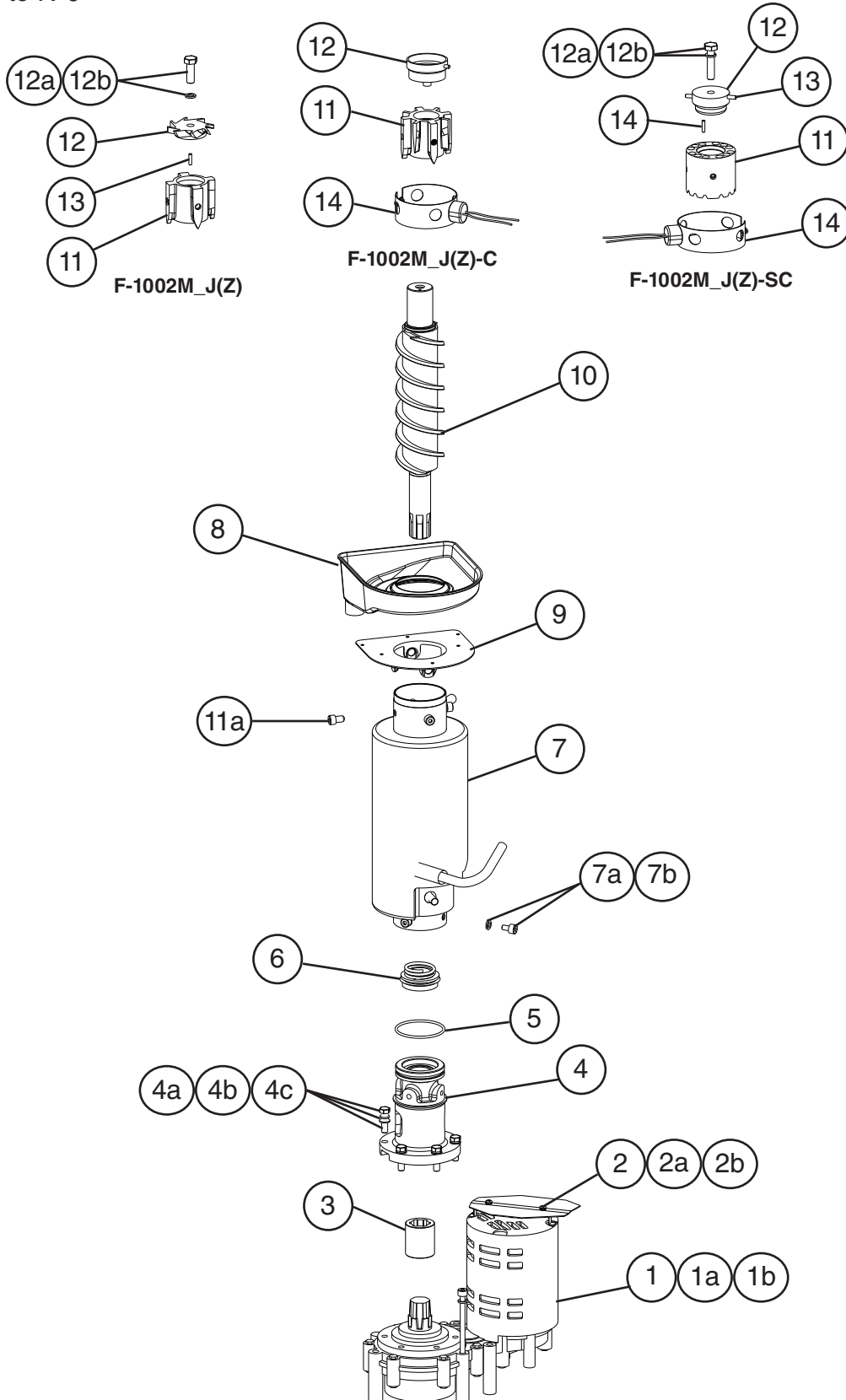


| Title: A. Main Assembly & Refrigeration Circuit Model: F-1002MLJ(-C) |  |                          |             |                 |         |     |     |            |  |  |  |
|--|--|--------------------------|-------------|-----------------|---------|-----|-----|------------|--|--|--|
| Index No.  | Description  | Material or Model Number | Part Number | Required Number |         |     |     |            |  |  |  |
|  |  |                          |             | F-0 to G-1      | H-0 H-1 | J-0 | J-1 | J-2 to N-0 |  |  |  |
| <b>Main Assembly</b>   |  |                          |             |                 |         |     |     |            |  |  |  |
| 1  | Front Panel<br>(Includes items 2, 2a, and 3)               |                          | 3B1080G01   | 1               | 1       | 1   | 1   | 1          |  |  |  |
| 2  | Louver   |                          | 1A0547-01   | 1               | 1       | -   |     |            |  |  |  |
|  |  |                          | 1A0548-01   |                 |         | 1   | 1   | 1          |  |  |  |
| 2a   | Push Retainer  |                          | 4A2414-01   | 3               | 3       | -   |     |            |  |  |  |
| 3  | Air Filter   |                          | 2A2062G01   | 1               | 1       | -   |     |            |  |  |  |
|  |  |                          | 2A2063G01   |                 |         | 1   | 1   | 1          |  |  |  |
| 4  | Top Panel  |                          | 2A2064-02   | 1               | 1       | 1   | 1   | 1          |  |  |  |
| 5  | Right Side Panel   |                          | 2A2073G01   | 1               | 1       | 1   | 1   | 1          |  |  |  |
| 6  | Left Side Panel  |                          | 2A2072G01   | 1               | 1       | 1   | 1   | 1          |  |  |  |
| 7  | Control Box Cover  |                          | 3A0411-01   | 1               | 1       | 1   | 1   | 1          |  |  |  |
| 8  | Junction Box Cover   |                          | 433410-01   | 1               | 1       | 1   | 1   | 1          |  |  |  |
| 9  | Spout  |                          | 104797-01   | 1               | 1       | 1   | 1   | 1          |  |  |  |
| 9a   | Thumbscrew   |                          | 415949G08   | 5               | 5       | 5   | 5   | 5          |  |  |  |
| 10   | O-Ring   |                          | 4A4755-03   | 1               | 1       | 1   | 1   | 1          |  |  |  |
| 11   | Nylon Ring   |                          | 432661-02   | 1               | 1       | 1   | 1   | 1          |  |  |  |
| 12   | Spout-to-Chute Packing                                     |                          | 321037-01   | 1               | 1       | 1   | 1   | 1          |  |  |  |
| 13   | Spout-to-Chute Bracket                                     |                          | 4A1712-01   | 1               | 1       | 1   | 1   | 1          |  |  |  |
| 14   | Upper Strap  |                          | 328703-02   | 1               | 1       | 1   | 1   | 1          |  |  |  |
| 14a  | Wing Nut   |                          | 7E12-0600   | 2               | 2       | 2   | 2   | 2          |  |  |  |
| 15   | Lower Strap  |                          | 328703-01   | 1               | 1       | 1   | 1   | 1          |  |  |  |
| 16   | Chute  |                          | 2A1919-03   | 1               | 1       | 1   | 1   | 1          |  |  |  |
| 17   | Chute Insulation   |                          | 2A1920-01   | 1               | 1       | 1   | 1   | 1          |  |  |  |
| 18   | Chute Tie  |                          | 436531G01   | 3               | -       |     |     |            |  |  |  |
| 19   | Chute Packing  |                          | 432877-01   | 1               | 1       | 1   | 1   | 1          |  |  |  |
| 20   | Ring   |                          | 3A1017-01   | 1               | 1       | 1   | 1   | 1          |  |  |  |
| 21   | Infrared Sensor  |                          | 4A4469-01   | 1               | 1       | 1   | 1   | 1          |  |  |  |
| 21a  | Thumbscrew   |                          | 415949G08   | 1               | 1       | 1   | 1   | 1          |  |  |  |
| 22   | Infrared Sensor Housing                                    |                          | 3A3478-02   | 1               | 1       | 1   | 1   | 1          |  |  |  |
| 23   | Bin Control 2 Proximity Switch<br>(mechanical bin control) |                          | 4A2033-01   |                 |         |     | 1   | 1          |  |  |  |
| 23a  | Thumbscrew   |                          | 415949G10   |                 |         |     | 2   | 2          |  |  |  |
| 24   | Chute Baffle A   |                          | 3A0400G01   |                 |         |     | 1   | 1          |  |  |  |
| 24a  | Wing Nut   |                          | 7E12-0400   |                 |         |     | 3   | 3          |  |  |  |
| 25   | Chute Baffle B   |                          | 3A0399G01   |                 |         |     | 1   | 1          |  |  |  |
| 25a  | Wing Nut   |                          | 7E12-0400   |                 |         |     | 3   | 3          |  |  |  |
| 26   | Bin Control 2 Bracket<br>(mechanical bin control)          |                          | 3A1744G01   |                 |         |     | 1   | 1          |  |  |  |
| 27   | Actuator   |                          | 436848G01   |                 |         |     | 1   | 1          |  |  |  |
| 28   | Shaft  |                          | 436851-01   |                 |         |     | 1   | 1          |  |  |  |
| 29   | Snap Pin   |                          | 715S-0005   |                 |         |     | 2   | 2          |  |  |  |
| 30   | Plate  |                          | 4A2039-01   |                 |         |     | 1   | 1          |  |  |  |
| 30a  | Thumbscrew   |                          | 415949G10   |                 |         |     | 2   | 2          |  |  |  |



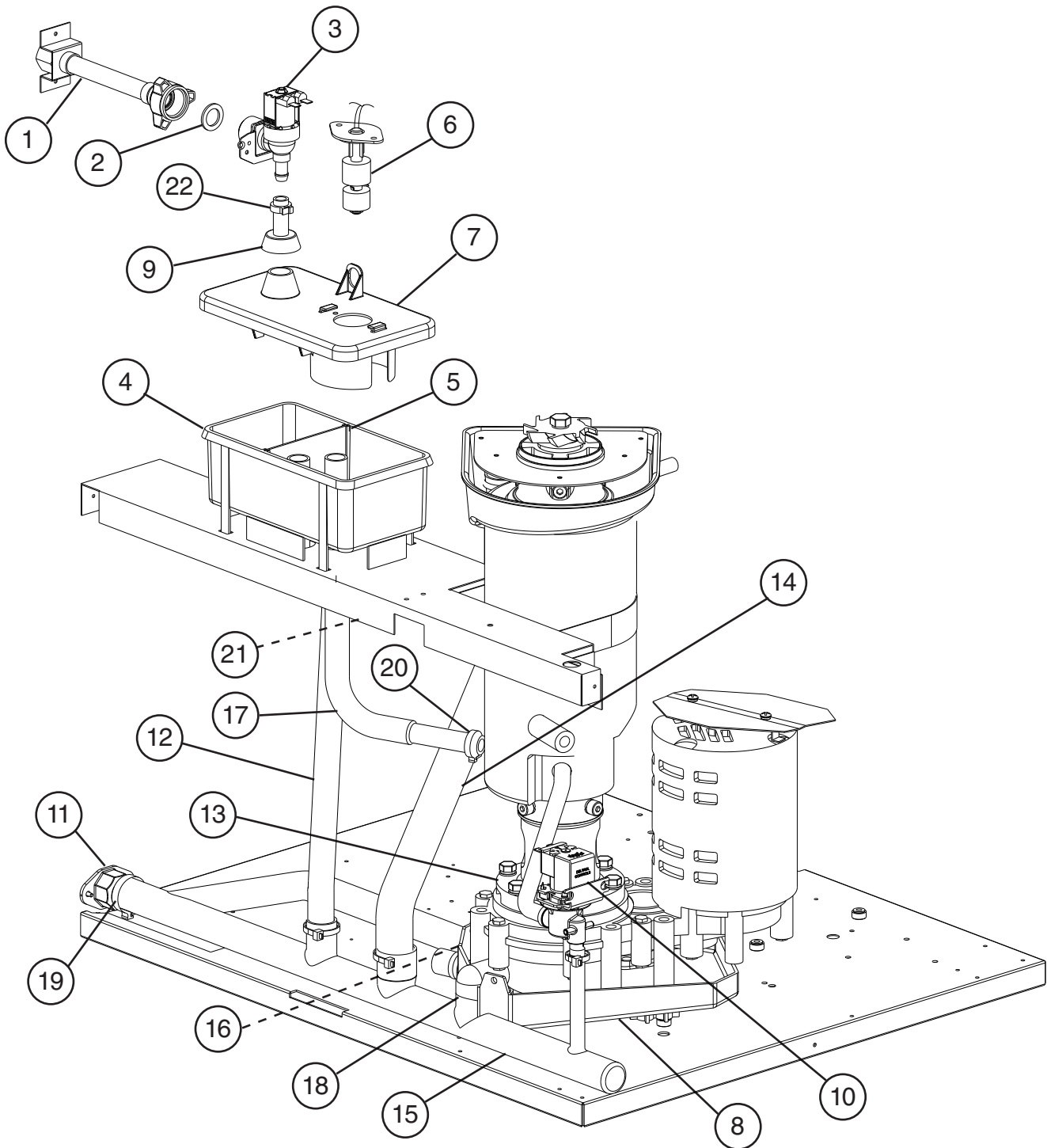
| <b>Title: A. Main Assembly &amp; Refrigeration Circuit Model: F-1002MLJ(-C)</b> |   |                          |             |                 |         |     |     |            |  |  |  |
|---|---|--------------------------|-------------|-----------------|---------|-----|-----|------------|--|--|--|
| Index No.   | Description                               | Material or Model Number | Part Number | Required Number |         |     |     |            |  |  |  |
|   |   |                          |             | F-0 to G-1      | H-0 H-1 | J-0 | J-1 | J-2 to N-0 |  |  |  |
| 31  | Truss Head Screw                          |                          | 7C32-0408   |                 |         |     | 1   | 1          |  |  |  |
| <b>Refrigeration Circuit</b>  |   |                          |             |                 |         |     |     |            |  |  |  |
| 32  | Evaporator Pressure Regulator Valve (EPR) |                          | 4A1384-01   | 1               | 1       | 1   | 1   | 1          |  |  |  |
| 33  | Evaporator Pressure Regulator Valve Cover |                          | 340434-01   | 1               | 1       | 1   | 1   | 1          |  |  |  |
| 34  | Suction Line Valve                        |                          | 446873-01   | 1               | 1       | 1   | 1   | 1          |  |  |  |
| 35  | Heat Exchanger                            |                          | 4A1374-01   | 1               | 1       | 1   | 1   | 1          |  |  |  |
| 36  | Thermostatic Expansion Valve              |                          | 4A1117-01   | 1               | 1       | 1   | 1   | -          |  |  |  |
|   |   |                          | 4A3493-01   |                 |         |     |     | 1          |  |  |  |
| 37  | Thermostatic Expansion Valve Cover        |                          | 4A1168-01   | 1               | 1       | 1   | 1   | 1          |  |  |  |
| 38  | Thermostatic Expansion Valve Bulb Holder  |                          | 3A0112-01   | 1               | 1       | 1   | 1   | 1          |  |  |  |
| 39  | Clamp                                     |                          | 443461-01   | 1               | 1       | 1   | 1   | 1          |  |  |  |
| 40  | Liquid Line Valve                         |                          | 4A3276-01   | 1               | 1       | 1   | 1   | 1          |  |  |  |
| 41  | Valve Coil                                |                          | 4A3277-01   | 1               | 1       | 1   | 1   | 1          |  |  |  |
| 42  | Discharge Line Coupling                   |                          | 434132G01   | 1               | 1       | 1   | -   |            |  |  |  |
|   | Discharge Line Service Valve              |                          | 4A4822-01   |                 |         |     | 1   | 1          |  |  |  |
| 43  | Liquid Line Coupling                      |                          | 433751G01   | 1               | 1       | 1   | -   |            |  |  |  |
|   | Liquid Line Service Valve                 |                          | 4A3491-01   |                 |         |     | 1   | 1          |  |  |  |
| 44  | Strainer                                  |                          | 4A1385-01   | 1               | 1       | 1   | 1   | 1          |  |  |  |

**B. Icemaking Unit**  
**F-1002M\_J(Z)(-C)(-SC)**  
 F-0 to N-0



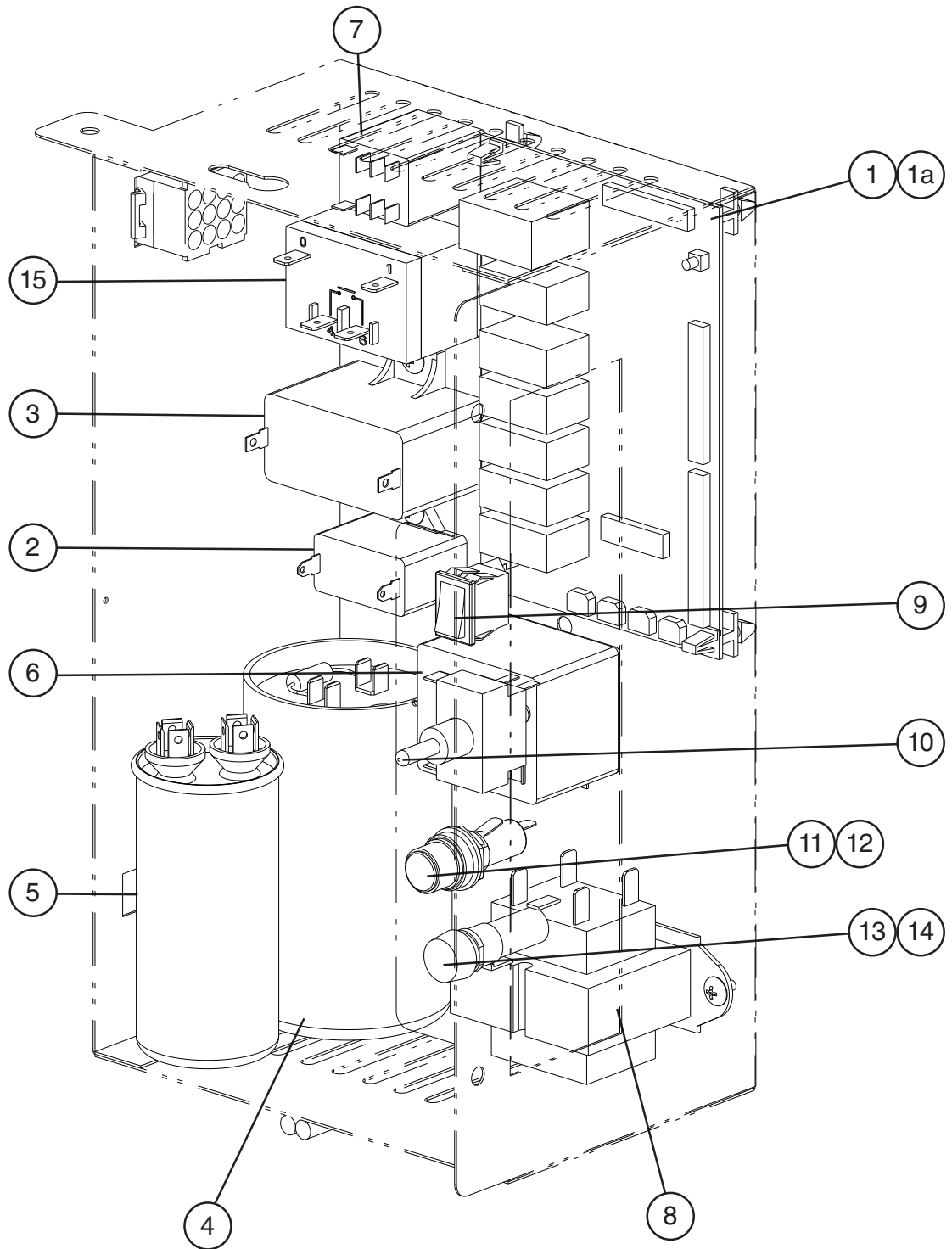
| Title: B. Icemaking Unit Model: F-1002M_J(Z)(-C)(-SC) |                       |                                |             |                 |     |     |            |   |  |  |  |  |
|---|-----------------------|--------------------------------|-------------|-----------------|-----|-----|------------|---|--|--|--|--|
| Index No.   | Description           | Material or Model Number       | Part Number | Required Number |     |     |            |   |  |  |  |  |
|   |                       |                                |             | F-0 to K-0      | L-0 | L-1 | L-2 to N-0 |   |  |  |  |  |
| 1   | Gear Motor            |                                | 4A2007-01   | 1               | -   |     |            |   |  |  |  |  |
|   |                       |                                | 4A6946-01   |                 | 1   | -   |            |   |  |  |  |  |
|   |                       |                                | 4A2007-01   |                 |     |     | 1          | 1 |  |  |  |  |
| 1a  | Socket Head Cap Screw |                                | 7S12-0811   | 3               | 3   | 3   | 3          |   |  |  |  |  |
| 1b  | Split Lock Washer     |                                | 7L22-0800   | 3               | 3   | 3   | 3          |   |  |  |  |  |
| 2   | Gear Motor Barrier    |                                | 4A4029-01   | 1               | 1   | -   |            |   |  |  |  |  |
|   |                       |                                | 331054-01   |                 |     |     | 1          | 1 |  |  |  |  |
| 2a  | Truss Head Screw      |                                | 7C32-0408   | 2               | 2   | 2   | 2          |   |  |  |  |  |
| 2b  | Washer                |                                | 4A5268-01   | 2               | 2   | 2   | 2          |   |  |  |  |  |
| 3   | Spline Coupling       |                                | 414137-01   | 1               | 1   | 1   | 1          |   |  |  |  |  |
| 4   | Housing               |                                | 2A1977G01   | 1               | -   |     |            |   |  |  |  |  |
|   |                       |                                | 3B0186G01   |                 |     | 1   | 1          | 1 |  |  |  |  |
| 4a  | Hex Head Bolt         | 8x30, SS                       | 7B02-0830   | 6               | 6   | 6   | 6          |   |  |  |  |  |
| 4b  | Plain Washer          |                                | 7W22-0800   | 6               | 6   | 6   | 6          |   |  |  |  |  |
| 4c  | Split Lock Washer     |                                | 7L22-0800   | 6               | 6   | 6   | 6          |   |  |  |  |  |
| 5   | O-Ring                |                                | 4A4755-02   | 1               | 1   | 1   | 1          |   |  |  |  |  |
| 6   | Mechanical Seal       |                                | 432492-01   | 1               | 1   | 1   | -          |   |  |  |  |  |
|   |                       |                                | 432492-03   |                 |     |     |            | 1 |  |  |  |  |
| 7   | Evaporator            |                                | 2A7209G01   | 1               | 1   | 1   | 1          |   |  |  |  |  |
| 7a  | Socket Head Cap Screw | 8x12, SS                       | 7S12-0812   | 4               | 4   | 4   | 4          |   |  |  |  |  |
| 7b  | Split Lock Washer     |                                | 7L22-0800   | 3               | 3   | 3   | 3          |   |  |  |  |  |
| 8   | Drip Pan              |                                | 2A7187-01   | 1               | 1   | 1   | 1          |   |  |  |  |  |
| 9   | Flange                |                                | 352713-01   | 1               | 1   | 1   | 1          |   |  |  |  |  |
| 10  | Auger                 |                                | 120863G02   | 1               | 1   | 1   | 1          |   |  |  |  |  |
| 11  | Extruding Head        | F-1002M_J(Z)                   | 3A2175G01   | 1               | 1   | 1   | 1          |   |  |  |  |  |
|   |                       | F-1002M_J(Z)(-C)               | 3A2176G01   | 1               | 1   | 1   | 1          |   |  |  |  |  |
|   |                       | F-1002M_J(Z)(-SC)              | 3A9761G01   | 1               | 1   | 1   | 1          |   |  |  |  |  |
| 11a   | Seal Bolt             | F-1002M_J(Z)(-C)               | P01768-02   | 4               | 4   | 4   | 4          |   |  |  |  |  |
|   |                       | F-1002M_J(Z)(-SC)              | 4A6172A01   | 4               | 4   | 4   | 4          |   |  |  |  |  |
| 12  | Cutter                | F-1002M_J(Z)                   | 3A1395-02   | 1               | 1   | 1   | 1          |   |  |  |  |  |
|   |                       | F-1002M_J(Z)(-C)               | 427183G01   | 1               | 1   | 1   | 1          |   |  |  |  |  |
|   |                       | F-1002M_J(Z)(-SC)              | 4A6209G01   | 1               | 1   | 1   | 1          |   |  |  |  |  |
| 12a   | Hex Head Bolt         | F-1002M_J(Z)<br>10x30, SS      | 7B02-1030   | 1               | 1   | 1   | 1          |   |  |  |  |  |
|   |                       | F-1002M_J(Z)(-SC)<br>10x45, SS | 7B02-1045   | 1               | 1   | 1   | 1          |   |  |  |  |  |
| 12b   | Split Lock Washer     | F-1002M_J(Z)(-SC)<br>M10, SS   | 7L22-1000   | 1               | 1   | 1   | 1          |   |  |  |  |  |
| 13  | Dowel Pin             | F-1002M_J(Z)(-SC)<br>4x16, SS  | 713S-0416   | 1               | 1   | 1   | 1          |   |  |  |  |  |
| 14  | Evaporator Heater     | F-1002M_J(Z)(-C)(-SC)          | 4A2292-01   | 1               | 1   | 1   | 1          |   |  |  |  |  |

**C. Water Circuit**  
**F-1002M\_J(Z)(-C)(-SC)**  
F-0 to N-0



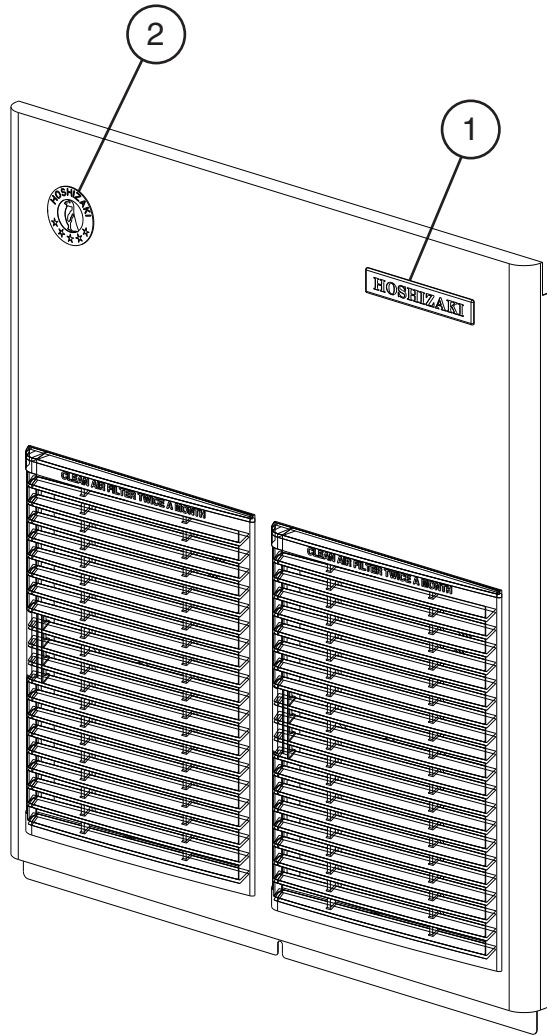
| Title: C. Water Circuit Model: F-1002M_J(Z)(-C)(-SC) |                     |                          |             |            |                 |  |  |  |  |  |  |  |
|--|---------------------|--------------------------|-------------|------------|-----------------|--|--|--|--|--|--|--|
| Index No.  | Description         | Material or Model Number | Part Number | F-0 to N-0 | Required Number |  |  |  |  |  |  |  |
|  |                     |                          |             |            |                 |  |  |  |  |  |  |  |
| 1  | Water Supply Pipe   |                          | 4A0891G02   | 1          |                 |  |  |  |  |  |  |  |
| 2  | Washer              |                          | 413854-03   | 1          |                 |  |  |  |  |  |  |  |
| 3  | Inlet Water Valve   |                          | 4A5309-01   | 1          |                 |  |  |  |  |  |  |  |
| 4  | Reservoir           |                          | 2A0753-01   | 1          |                 |  |  |  |  |  |  |  |
| 5  | Reservoir Separator |                          | 4A1255-01   | 1          |                 |  |  |  |  |  |  |  |
| 6  | Float Switch        |                          | 435490-01   | 1          |                 |  |  |  |  |  |  |  |
| 7  | Reservoir Cover     |                          | 214810-01   | 1          |                 |  |  |  |  |  |  |  |
| 8  | Drain Pan           |                          | 323765G02   | 1          |                 |  |  |  |  |  |  |  |
| 9  | Reservoir Inlet     |                          | 4A0869-01   | 1          |                 |  |  |  |  |  |  |  |
| 10   | Drain Valve         |                          | 4A2772-02   | 1          |                 |  |  |  |  |  |  |  |
| 11   | Drain Fitting       |                          | 4A5528-01   | 1          |                 |  |  |  |  |  |  |  |
| 12   | Vinyl Hose          | L=375 mm                 | 7725-1923   | 1          |                 |  |  |  |  |  |  |  |
| 13   | Silicone Hose       | L=185 mm                 | 7730I3896   | 1          |                 |  |  |  |  |  |  |  |
| 14   | Vinyl Hose          | L=460 mm                 | 4A0658L01   | 1          |                 |  |  |  |  |  |  |  |
| 15   | Drain Hose          |                          | 3A8170-01   | 1          |                 |  |  |  |  |  |  |  |
| 16   | Vinyl Hose          | L=30 mm                  | 7725-1923   | 1          |                 |  |  |  |  |  |  |  |
| 17   | Reservoir Hose      |                          | 4A1165-06   | 1          |                 |  |  |  |  |  |  |  |
| 18   | Elbow               |                          | 4A5624-01   | 1          |                 |  |  |  |  |  |  |  |
| <b>Clamps</b>  |                     |                          |             |            |                 |  |  |  |  |  |  |  |
| 19   | Hose Clamp          | 26-30mm                  | 4A2017-02   | 1          |                 |  |  |  |  |  |  |  |
| 20   | Hose Clamp          | 17-20mm                  | 4A2017-05   | 1          |                 |  |  |  |  |  |  |  |
| 21   | Hose Clamp          | 19-22mm                  | 4A2017-06   | 1          |                 |  |  |  |  |  |  |  |
| 22   | Hose Clamp          | 14-15mm                  | 4A2017-08   | 1          |                 |  |  |  |  |  |  |  |

**D. Control Box Assembly**  
**F-1002M\_J(Z)(-C)(-SC)**  
F-0 to N-0



| Title: D. Control Box Assembly Model: F-1002M_J(Z)(-C)(-SC) |  |                                      |             |                 |     |            |  |  |  |  |  |
|---|--|--------------------------------------|-------------|-----------------|-----|------------|--|--|--|--|--|
| Index No.   | Description                                    | Material or Model Number             | Part Number | Required Number |     |            |  |  |  |  |  |
|   |  |                                      |             | F-0 to J-0      | J-1 | J-2 to N-0 |  |  |  |  |  |
| 1   | Control Board                                  |                                      | 2A8054-01   | 1               | -   |            |  |  |  |  |  |
|   |  |                                      | 2A9093-01   |                 | 1   | 1          |  |  |  |  |  |
| 1a  | Control Board Support                          |                                      | 4A0336-03   | 4               | 4   | 4          |  |  |  |  |  |
| 2   | Fan Motor Capacitor                            | F-1002MAJ(-C)(SC)<br>5MFD,<br>250VAC | 443192-02   | 1               | 1   | -          |  |  |  |  |  |
|   |  |                                      | 4A6435-02   |                 |     | 1          |  |  |  |  |  |
| 3   | Gear Motor Capacitor                           | 24MFD,<br>250VAC                     | 4A2273-01   | 1               | 1   | 1          |  |  |  |  |  |
| 4   | Start Capacitor<br>(all except F-1002MLJ(-C))  | 340-408MFD,<br>250VAC                | 3A0076-24   | 1               | 1   | 1          |  |  |  |  |  |
| 5   | Run Capacitor<br>(all except F-1002MLJ(-C))    | 40MFD,<br>370VAC                     | 3A2005-13   | 1               | 1   | 1          |  |  |  |  |  |
| 6   | Start Relay<br>(all except F-1002MLJ(-C))      |                                      | 4A1107-22   | 1               | 1   | 1          |  |  |  |  |  |
| 7   | Compressor Control Relay                       | 110/120VAC                           | 406132-07   | 1               | 1   | -          |  |  |  |  |  |
|   |  |                                      | 4A6558-01   |                 |     | 1          |  |  |  |  |  |
| 8   | Control Transformer                            |                                      | 4A0557-01   | 1               | 1   | 1          |  |  |  |  |  |
| 9   | Control Switch                                 |                                      | 4A0558-01   | 1               | 1   | 1          |  |  |  |  |  |
| 10  | Power Switch                                   |                                      | 4A2332-01   | 1               | 1   | 1          |  |  |  |  |  |
| 11  | Fuse Holder (control)                          |                                      | 4A5443-01   | 1               | 1   | 1          |  |  |  |  |  |
| 12  | Fuse (control)                                 | AGC-1A,<br>250VAC                    | 4A0893-01   | 1               | 1   | 1          |  |  |  |  |  |
| 13  | Fuse Holder (gear motor)                       |                                      | 4A6101-01   | 1               | 1   | 1          |  |  |  |  |  |
| 14  | Fuse (gear motor)                              | GMD-3A,<br>250VAC                    | 4A0893-06   | 3               | 3   | 3          |  |  |  |  |  |
| 15  | Compressor Relay<br>(all except F-1002MLJ(-C)) | 115VAC                               | 4A3140-01   | 1               | 1   | 1          |  |  |  |  |  |

**E. Accessories & Labels**  
**F-1002M\_J(Z)(-C)(-SC)**  
 F-0 to N-0



| Title: E. Accessories & Labels    Model: F-1002M_J(Z)(-C)(-SC) |                        |                          |             |            | Required Number |  |  |  |  |  |  |  |  |
|--|------------------------|--------------------------|-------------|------------|-----------------|--|--|--|--|--|--|--|--|
| Index No.  | Description            | Material or Model Number | Part Number | F-0 to N-0 |                 |  |  |  |  |  |  |  |  |
| 1  | Hoshizaki Emblem Label |                          | 4A0560-01   | 1          |                 |  |  |  |  |  |  |  |  |
| 2  | Penguin Label          |                          | 475552L02   | 1          |                 |  |  |  |  |  |  |  |  |
| 3  | Universal Brace        |                          | 4A0363-01   | 2          |                 |  |  |  |  |  |  |  |  |
| 3a   | Hex Bolt               | 5x12, SS                 | 7B02-0512   | 2          |                 |  |  |  |  |  |  |  |  |