

AM-100BAE

SELF-CONTAINED CUBER WITH BUILT-IN STORAGE BIN

Item # _____

Project: _____

Qty: _____

*AutoCad available on KCL

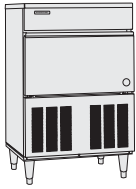
AM-100BAE

2/06

Item # 13148

AM-100BAE DIMENSIONS W x D x H

24^{15/16} x 20^{1/2} x 39*
* with 6" legs



AM-100BAE

AM-100BAE
Air-Cooled
Shown



- Up to 105 lbs. of ice production per 24 hours
- Durable stainless steel exterior
- Up to 44 lbs. of built-in storage capacity
- Easily disassembled water circuit for easy cleaning
- Front in, front out airflow
- Fewer moving parts for longer life
- Drop down door
- R-134A Refrigerant



Warranty

Valid in United States, Canada, Puerto Rico, & U.S. Territories. Contact factory for warranty in other countries.

Three Year - Parts & Labor on entire machine.

Five Year - Parts on compressor and air-cooled condenser coil.

Five Year - Parts on evaporator.



HOSHIZAKI

SELF-CONTAINED CUBER WITH BUILT-IN STORAGE BIN

AM-100BAE

DIMENSIONS
W x D x H
AM-100BAE
24^{15/16} x 20^{1/2} x 39*
*with 6" legs

• Air-cooled

AIR-COOLED

Water Temp° F.	50°
Air Temp° F.	70°
	105 lbs.

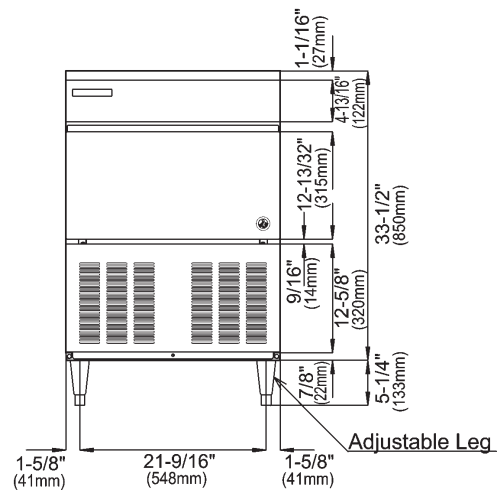
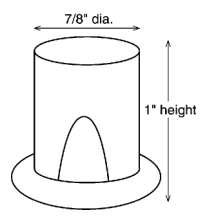
UTILITY CONSUMPTION (AIR 70°F/WATER 50°F)

Model Number	Ice Production Per Cycle Lbs. Cubes	KWH per 100 LBS.	Potable Water Gal. per 100 lbs.	Condenser Water Gal. per 100 lbs.
AM-100BAE	1.54 60	9.9	37	NA

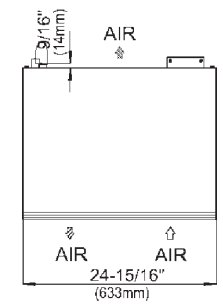
SPECIFICATIONS

Model Number	Condenser	Amperage	Min. Circuit Ampacity	Shipping Weight
AM-100BAE	Air-Cooled	6.5	NA	145 lbs.

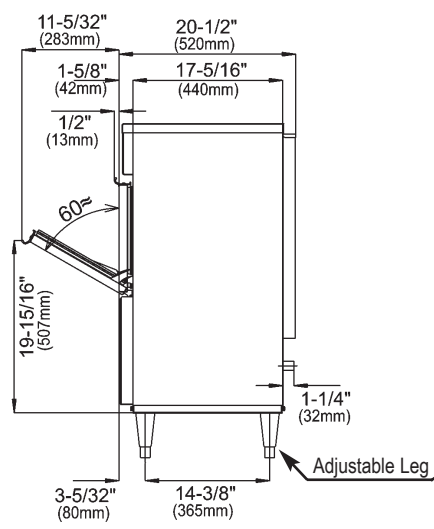
AM CUBE DIMENSIONS



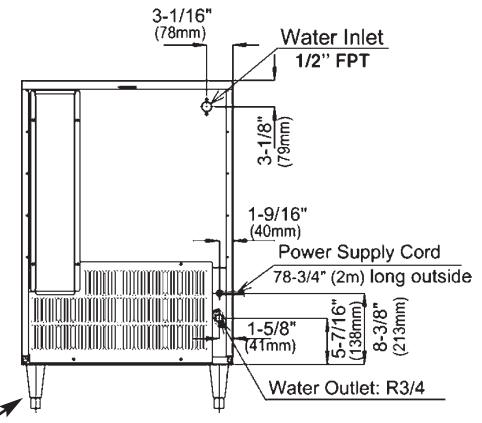
FRONT DIMENSIONS



TOP DIMENSIONS



SIDE DIMENSIONS



BACK DIMENSIONS

ELECTRICAL & PLUMBING/AM-100BAE

- 115V/60/1
- 15 amp Max Fuse/HACR Breaker Size
- 1/2" OD copper or equivalent independent potable water supply
- 3/4" independent drain connection
- 1/2" FPT Water Inlet

OPERATING LIMITS

- Ambient Temp Range 50 - 100°F
- Water Temp Range 41 - 90°F
- Water Pressure 7 - 113psig
- Voltage Range 104 - 127V

