

LAVASTOVIGLIE A CESTO TRASCINATO - 1 Vasca
RACK TYPE DISHWASHER - 1 Tank
RT 10 / RT 180 / WT 90 / NERT / HAB
VERSIONI ELETTRICHE /ELECTRICAL VERSIONS

| Code | Type1 | Type2 (From Ser. Nr: 006) | Ref. | Pagina/ Page | Code | Type1 | Type2 (From Ser. Nr: 006) | Ref. | Pagina/ Page |
|--------|------------|---------------------------|------|-----------------|--------|------------|---------------------------|------|-----------------|
| 531372 | RT10ERCINA | | e | 2,3,4,5 | 533330 | WT90ERC | NERT10ERC | | 2,3,4,5 |
| 531373 | RT10ELCINA | | f | 2,3,4,5 | 533331 | WT90ELC | NERT10ELC | | 2,3,4,5 |
| 531374 | RT10ERROWH | | a | 2,3,4,5 | 533344 | WT90ERCB | NERT10ERC | | 2,3,4,5 |
| 531375 | RT10ELROWH | | b | 2,3,4,5 | 533345 | WT90ELCB | NERT10ELCB | | 2,3,4,5 |
| 531376 | RT10ERH | | p | 2,3,4,5 | 533368 | WT90ERCINA | | g | 2,3,4,5 |
| 531377 | RT10ELH | | q | 2,3,4,5 | 533369 | WT90ELCINA | | h | 2,3,4,5 |
| 531378 | RT10ERROW | | i | 2,3,4,5 | 533370 | WT90ERROWH | NERT20ERH | c | 2,3,4,5 |
| 531379 | RT10ELROW | | l | 2,3,4,5 | 533371 | WT90ELROWH | NERT20ELH | d | 2,3,4,5 |
| 531380 | RT10ERROW6 | | x | 2,3,4,5 | 533372 | WT90ERH | | r | 2,3,4,5 |
| 531381 | RT10ELROW6 | | y | 2,3,4,5 | 533373 | WT90ELH | | s | 2,3,4,5 |
| 533300 | WT90ER | NERT10ER | | 2,3,4,5 | 533374 | WT90ERROW | NERT20ER | m | 2,3,4,5 |
| 533301 | WT90EL | NERT10EL | | 2,3,4,5 | 533375 | WT90ELROW | NERT20EL | n | 2,3,4,5 |
| 533312 | WT90ERG | NERT10ERG | | 2,3,4,5 | 533376 | WT90ERROW6 | NERT20ER60 | j | 2,3,4,5 |
| 533313 | WT90ELG | NERT10ELG | | 2,3,4,5 | 533377 | WT90ELROW6 | NERT20EL60 | w | 2,3,4,5 |
| 533314 | WT90ERB | NERT10ERB | | 2,3,4,5 | 864141 | | HABER90ERT | | 6,7 |
| 533315 | WT90ELB | NERT10ELB | | 2,3,4,5 | 864142 | | HABEL90ERT | | 6,7 |
| 533326 | ET90ERCINA | | t | 2,3,4,5 | 864151 | | HABERERT | | 6,7 |
| 533327 | ET90ELCINA | | u | 2,3,4,5 | 864153 | | HABELERT | | 6,7 |
| 533328 | ET90ERROW | | v | 2,3,4,5 | | | | | |
| 533329 | ET90ELROW | | z | 2,3,4,5 | | | | | |

VERSIONI VAPORE / STEAM VERSIONS

| Code | Type(From Ser. Nr: 011) | Ref. | Pagina/ Page | Code | Type(From Ser. Nr: 011) | Ref. | Pagina/ Page |
|--------|-------------------------|------|-----------------|--------|-------------------------|------|-----------------|
| 533322 | NERT10SR | | 2,3,4,5 | 864236 | HABSRERT | | 6,7 |
| 533323 | NERT10SL | | 2,3,4,5 | 864237 | HABSLERT | | 6,7 |
| 533336 | NERT20SR | | 2,3,4,5 | | | | |
| 533337 | NERT20SL | | 2,3,4,5 | | | | |
| 533340 | NERT10SRC | | 2,3,4,5 | | | | |
| 533341 | NERT10SLC | | 2,3,4,5 | | | | |

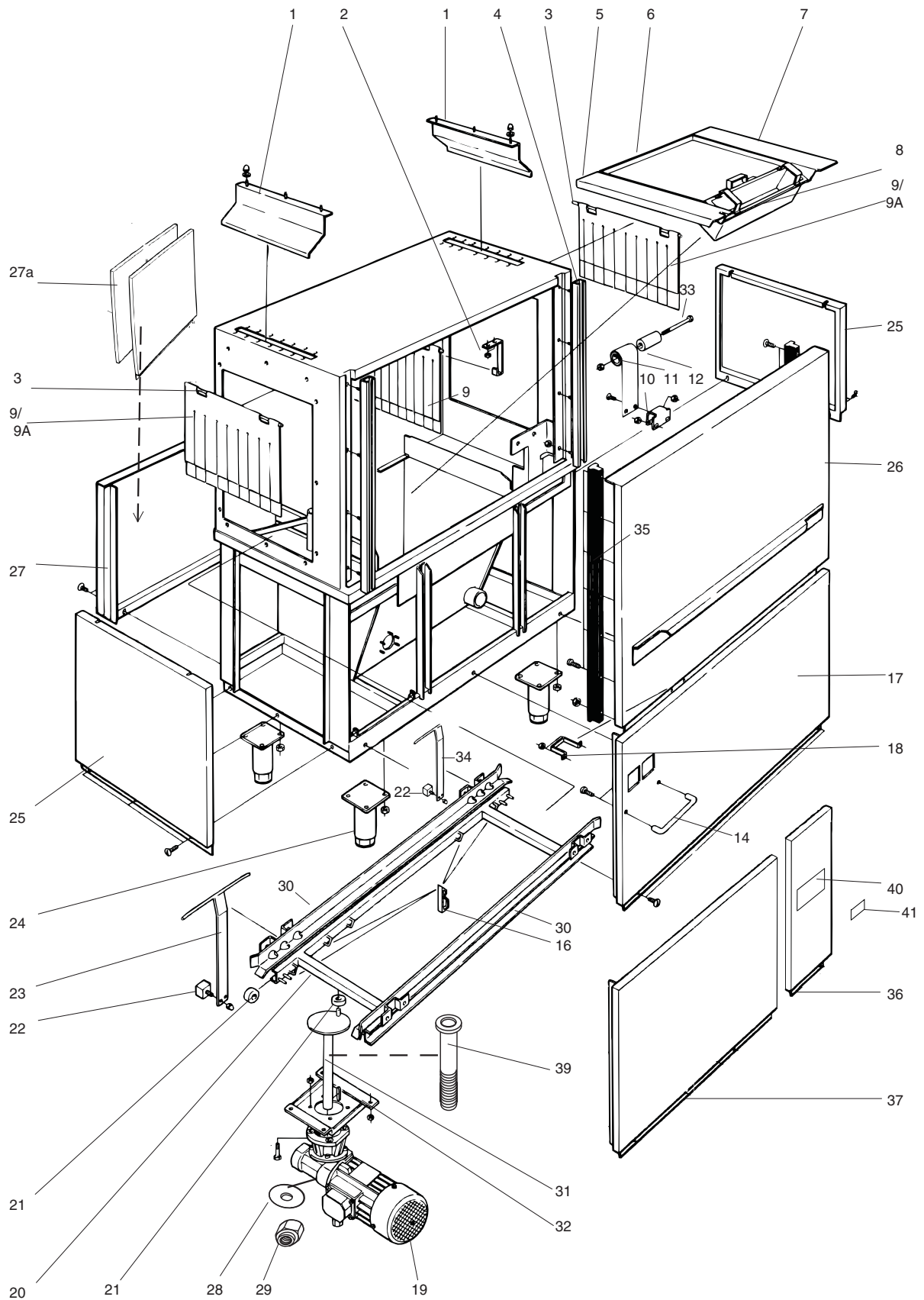
| Pagina/ Page | Illustr. | Indice Descrizione | Index Description |
|--------------|----------|--|-----------------------------|
| 2 | 21315Z | Vasca e pannelli | Tank and panels |
| 3 | 21316B | Scarico ed impianto di lavaggio | Drain and wash system |
| 4 | 21317Ae | Componenti elettrici | Electric components |
| 5 | 21318z | Unità condensa fumane CU | Condensing Unit CU |
| 6 | 21301 | Zona di asciugatura HUB | Hot Air Blower HAB |
| 7 | 21302 | Zona di asciugatura HUB, Riscaldamento | Hot Air Blower HAB, Heating |
| 8 - 17 | | Lista ricambi | Spare parts list |

Marchio/ Brand: Tutti/ All
Paese/ Country: Tutti/ All

Da Ser.Nr./From Ser.nr.: 228 /

Page: 1 Ed.2013-03

Doc. Nr.: 6-50 001A



ill. 21315Z

Vasca e pannelli

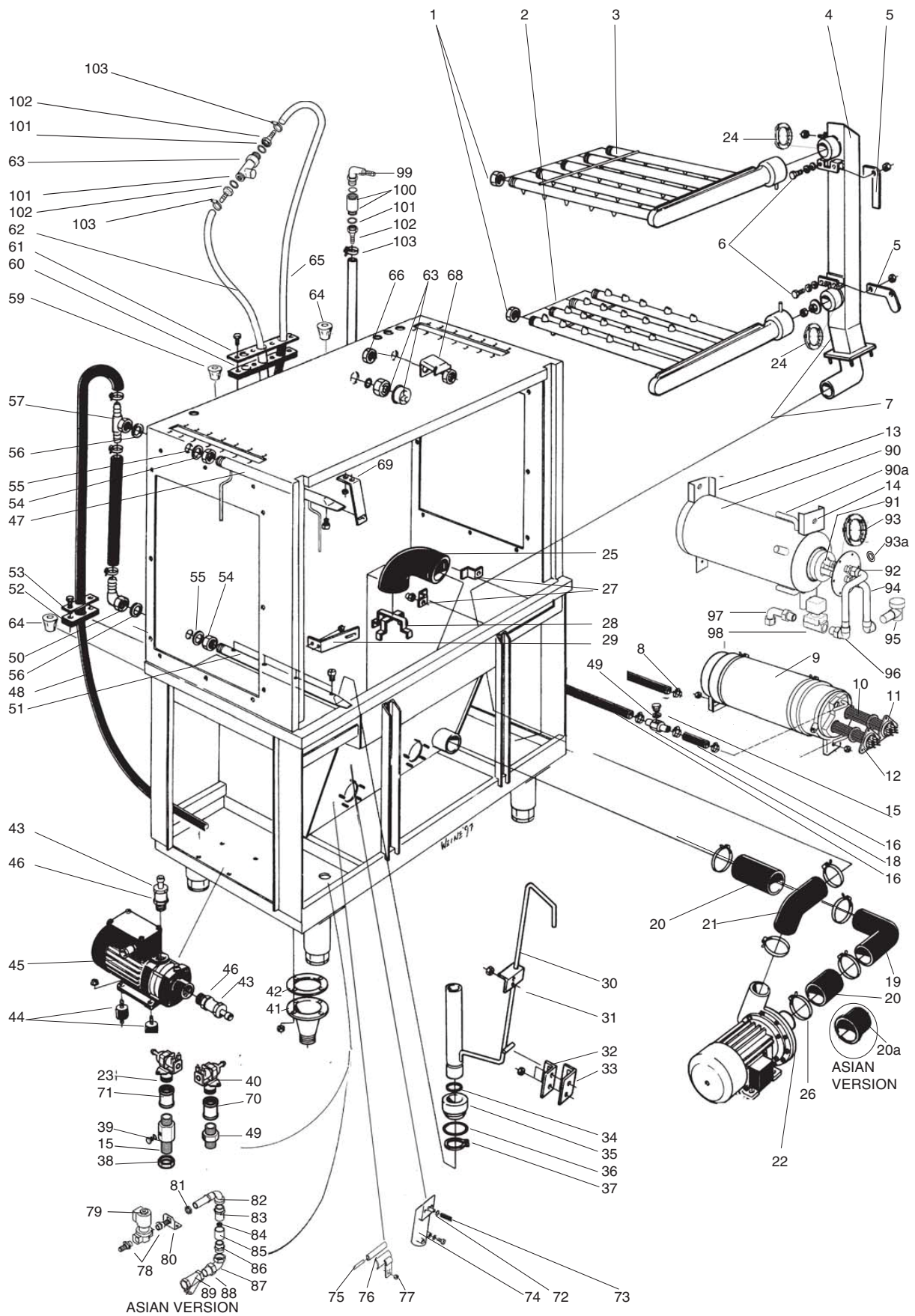
Tank and panels

Da Ser.Nr./From Ser.nr.: 228 /

Page: 2

Ed.2010-02

Doc. Nr.: 6-50 001A



iii. 21316B

Scarico ed impianto di lavaggio

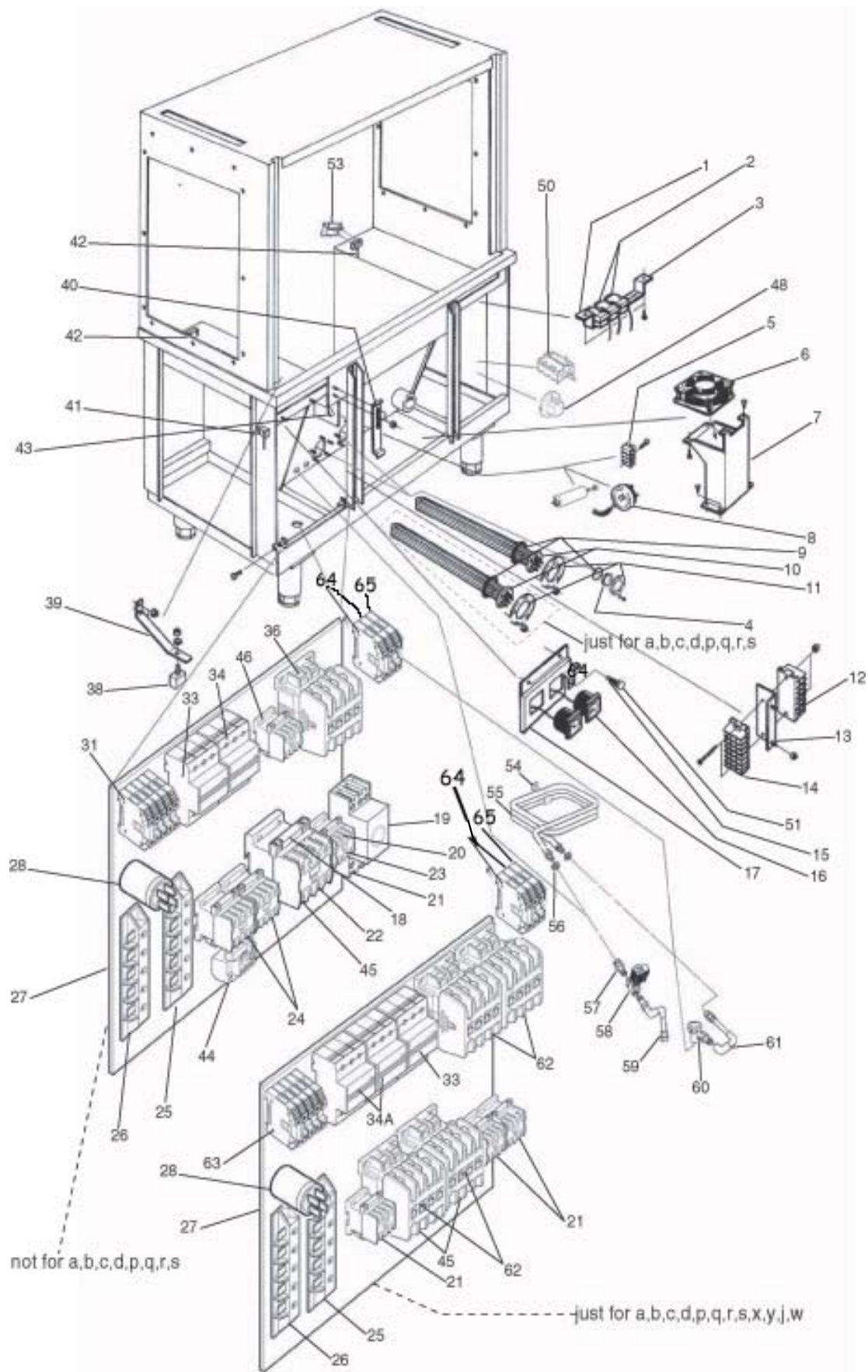
Drain and wash system

Da Ser.Nr./From Ser.nr.: 228 /

Page: 3

Ed.2006-05

Doc. Nr.: 6-50 001A



ill. 21317Ae

Componenti elettrici

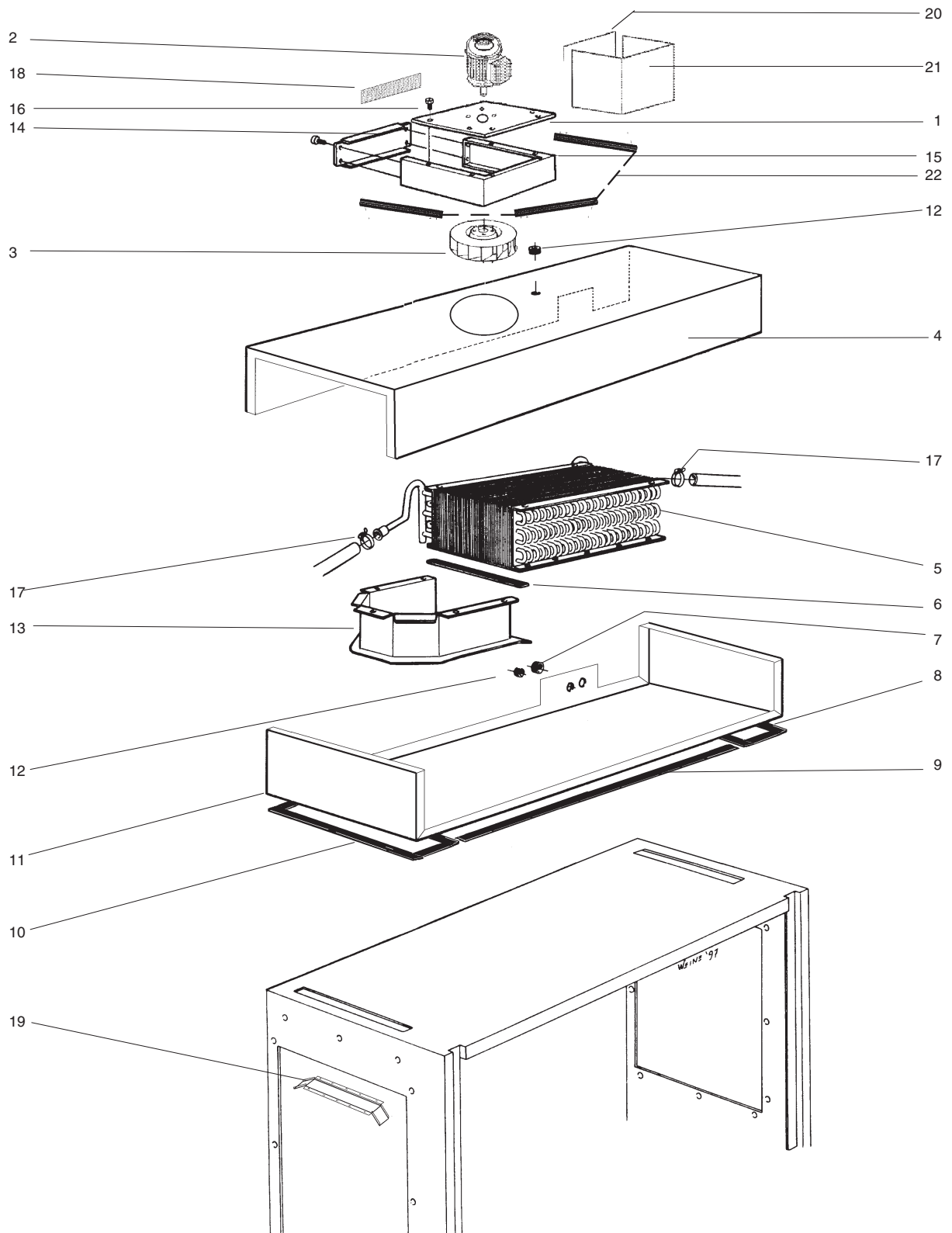
Electric components

Da Ser.Nr./From Ser.nr.: 228 /

Page: 4

Ed.2007-06

Doc. Nr.: 6-50 001A



ill. 21318z

Unità condensa fumane CU

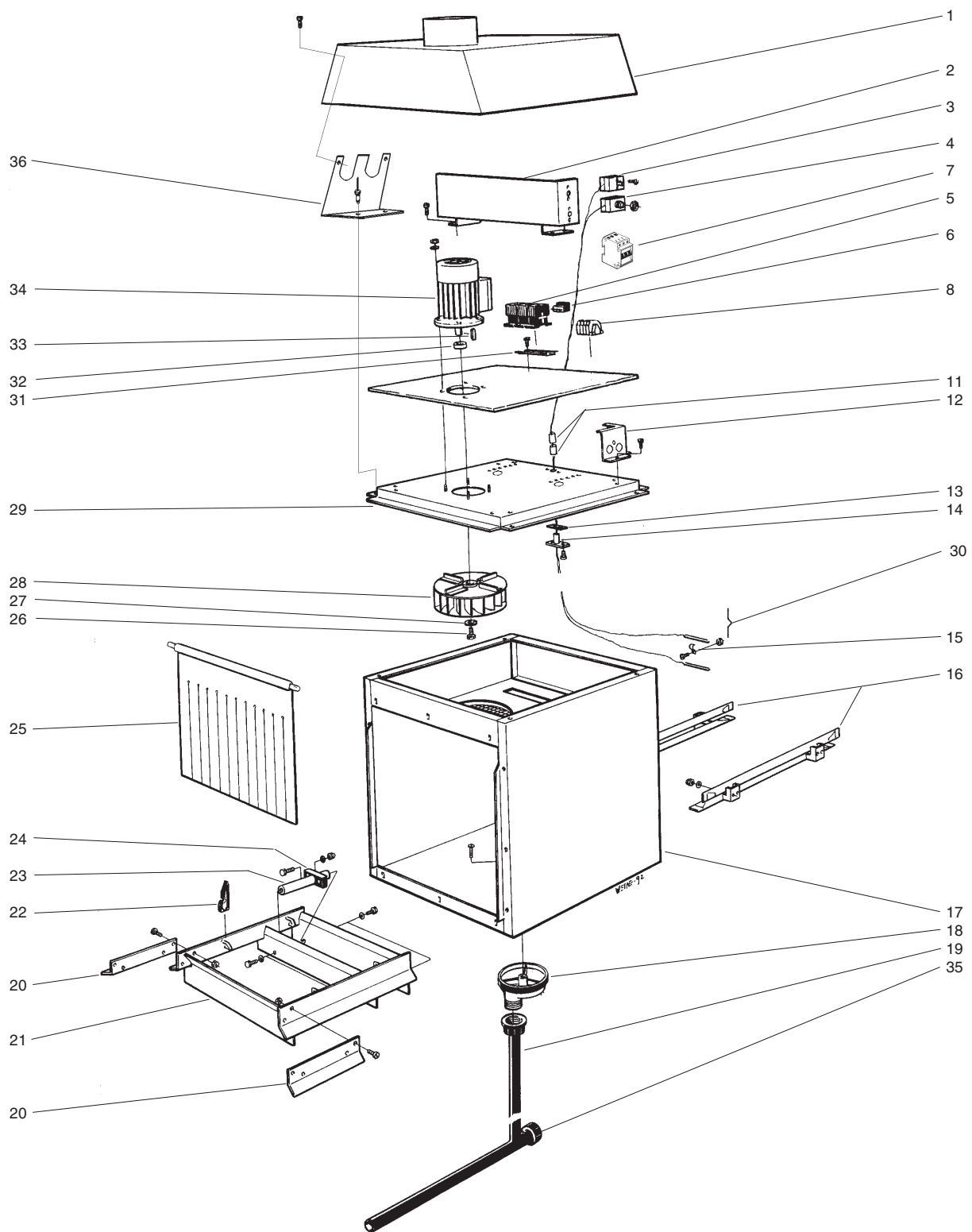
Condensing Unit CU

Da Ser.Nr./From Ser.nr.: 228 /

Page: 5

Ed.2002-07

Doc. Nr.: 6-50 001A



iii. 21301

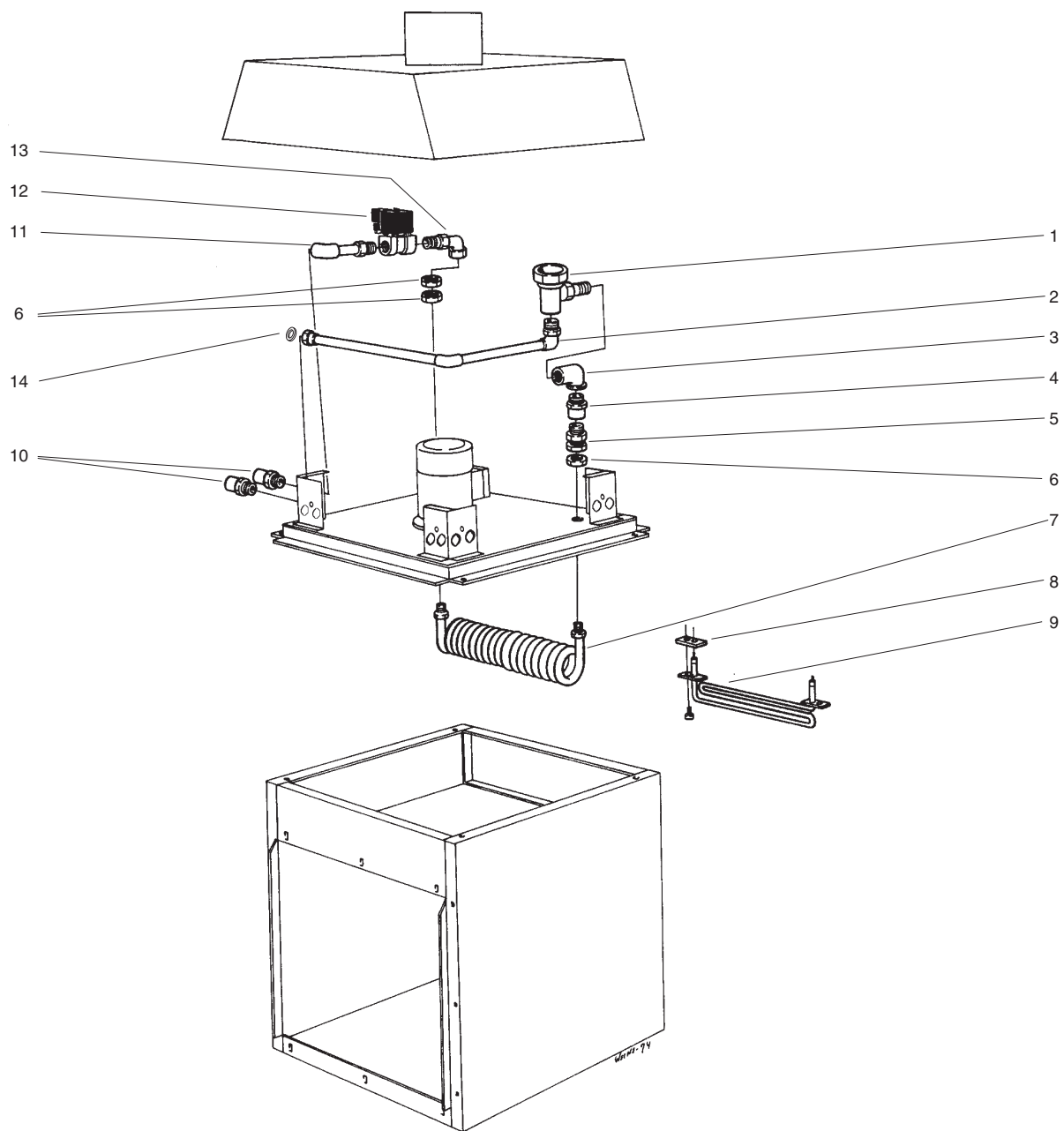
Zona di asciugatura HUB

Hot Air Blower HAB

Da Ser.Nr./From Ser.nr.: 228 /

Page: 6 Ed.2013-03

Doc. Nr.: 6-50 001A



iii. 21302

Zona di asciugatura HUB, Riscaldamento

Hot Air Blower HAB, Heating

Da Ser.Nr./From Ser.nr.: 228 /

Page: 7 Ed.2003-01

Doc. Nr.: 6-50 001A

| Lavastoviglie a cesto trascinato - 1 vasca Rack Type dishwasher - 1 tank | | | | - RT 10 - RT 10 | Grassetto = variazioni Bold Print = changes | |
|---|--------------|----------------------|-----------|--|--|--|
| Pos. | Q.tà Q.ty | Cod.ric. Part No. | | Descrizione | Description | Note / Notes |
| | | | | Pagina 2: Vasca e | Page 2: Tank and | ill: 21315Z |
| 1 | 2 | 0E5824 | RT0027200 | Paraspruzzi | Splash plate | |
| 2 | 2 | 0E5825 | RT0003801 | Supporto tendina | Attachment; for curtain | Up to ser. nr.: 427 |
| 2 | 2 | 0L0559 | RT0003802 | Supporto tendina | Attachment; for curtain | From ser. nr.: 428 |
| 3 | 3 | 0E5826 | RT0003700 | Asse tendina | Shaft; for curtain | |
| 4 | 2 | 0L0611 | RT0016800 | Profilo a C | C-profile | |
| 5 | 1 | 0E5821 | RT0005700 | Piastra lat. Sx; per filtro | Side plate left; for filter | |
| 6 | 1 | 0E5472 | W00183500 | Filtro piano | Strainer plate | |
| 7 | 1 | 0E5827 | RT0005800 | Piastra lat. Dx; per filtro | Side plate right; for | |
| 8 | 1 | 0E5183 | W00102700 | Filtro a cestello | Strainer basket | |
| 9 | 3 | 0E5828 | RT0003900 | Tendina H=450 L=580 | Curtain H=450 L=580 | Up to Ser: 227 |
| 9 | 3 | 0E6006 | 541611000 | Tendina H=485 L=580 | Curtain H=485 L=580 | From Ser: 228 |
| 9A | 2 | 0L1219 | 541615000 | Tendina H=560 L=580 | Curtain H=560 L=580 | a,b,c,d,e,f,g,h,p,q,r,s,t,u From Ser. Nr. 623 |
| 10 | 3 | 0E2898 | W00143600 | Aggancio molla | Spring retainer | |
| 11 | 2 | 0E5167 | W00093300 | Molla | Spring | 38 x 0,5 mm |
| 11 | 1 | 0E5158 | W00093200 | Molla | Spring | 25 x 0,5 mm |
| 12 | 3 | 0E5001 | W00093100 | Puleggia | Pulley | |
| 14 | 1 | 0E5830 | RT0005300 | Protezione / maniglia | Protection / handle | |
| 16 | 6 | 0E5007 | W00093000 | Trascinatore | Carrier | |
| 17 | 1 | 0E5890 | RT0017901 | Pannello frontale | Front panel | Electrolux, Alpen. Up to ser.: 309 t,u,v,z |
| 17 | 1 | 0L0241 | 503600101 | Pannello frontale | Front panel | From ser.: 310 |
| 18 | 1 | 0E5832 | RT0016200 | Cavallotto | Clamp | |
| 19 | 1 | 0E5833 | RT0029801 | Motore trascinamento; | Feeding motor; | 230-400V 50Hz |
| 19 | 1 | 0E5958 | 680600800 | Motore trascinamento; | Feeding motor; | 230-400V 60Hz |
| 19 | 1 | 0E5963 | 611619900 | Motore trascinamento; | Feeding motor; | ASIAN |
| 19 | 1 | 0TH202 | 611625500 | Motore trascinamento 230-400V 50/60Hz 60Hz | Feeding motor 60Hz | x,y,j,w |
| 20 | 1 | 0E5834 | RT0019800 | Slitta trascinamento | Feeding ladder | |
| 21 | 5 | 0E5046 | W00017300 | Rullino | Roller | |
| 22 | 2 | 0E0102 | W00003700 | Magnete | Magnet | |
| 23 | 1 | 0E5835 | RT0013701 | Attivatore micro | Activator; for | No ASIAN |
| 24 | 4 | 0E5009 | W00094500 | Piede | Foot | Not Electrolux Up to ser. Nr.: 005 |
| 24 | 4 | 0E5009 | W00094500 | Piede | Foot | Electrolux Up to ser.: 309 |
| 24 | 4 | 0L0194 | 855649000 | Piede | Foot | Electrolux From ser.: 310 Up to ser. Nr.: 005 |
| 24 | 4 | 0E5009 | W00094500 | Piede | Foot | From Ser. Nr.: 006 |
| 25 | 2 | 0E5820 | RT0017801 | Pannello laterale | Side Panel | No ASIAN Up to ser. Nr.: 005 |
| 25 | 2 | 0L0680 | 503603700 | Pannello laterale | Side Panel | |
| 26 | 1 | 0L0739 | 870642200 | Assieme porta | Assembly Door | Zanussi |
| 26 | 1 | 0TH174 | 870642100 | Assieme porta | Assembly Door | Electrolux (NERT10-NERT20) |
| 26 | 1 | 0L1540 | 870643600 | Assieme porta | Assembly Door | Alpeninox |
| 27 | 1 | 0E5837 | RT0017601 | Pannello posteriore | Rear panel | No ASIAN Up to ser. Nr.: 005 |

| Lavastoviglie a cesto trascinato - 1 vasca Rack Type dishwasher - 1 tank | | | | - RT 10 - RT 10 | Grassetto = variazioni Bold Print = changes | |
|---|--------------|----------------------|-----------|---------------------------------|--|--|
| Pos. | Q.tà Q.ty | Cod.ric. Part No. | | Descrizione | Description | Note / Notes |
| 27a | 1 | 0L0649 | 503603800 | Pannello posteriore | Rear panel | |
| 28 | 4 | 0L0152 | RT0020700 | Molla a tazza | Disk spring | |
| 29 | 1 | 0L0151 | RT0020500 | Dado | Nut | |
| 30 | 2 | 0E5838 | RT0018700 | Guida cesto | Slide for basket | |
| 31 | 1 | 0E5839 | RT0019400 | Asse trascinamento | Feeding shaft | |
| 32 | 1 | 0E5840 | RT0003400 | Piastra; fiss. Motore | Plate motor fitting | |
| 33 | 3 | 0E5792 | W00516700 | Vite | Screw | |
| 34 | 1 | 049857 | 835618600 | Attivatore micro Dx | Activator right; for | |
| 34 | 1 | 049858 | 835618700 | Attivatore micro Sx | Activator left; for micro | |
| 35 | 2 | 0KL878 | RT0016700 | Guida scorrimento porta | Slide; door | |
| 36 | 1 | 0E5909 | RT0057903 | Pannello comandi | Control panel | Zanussi |
| 37 | 1 | 0E5910 | RT0057800 | Pannello frontale | Front panel | Zanussi |
| 38 | 2 | 0E5456 | W00136900 | Coibentazione | Thickening | |
| 39 | 1 | 0L0150 | RT0020400 | Giunzione sistema trascin. | Clutch | |
| 40 | 1 | 0E5947 | RT0060500 | Assieme Cruscotto | Control panel | Zanussi |
| 40 | 1 | 0E5905 | RT0046501 | Membrana adesiva | Stick membrane | Alpeninox |
| 40 | 1 | 0L0247 | 548639700 | Membrana adesiva | Stick membrane | Franstal |
| 40 | 1 | 0L1271 | 548646000 | Membrana adesiva | Stick membrane | t,u,v,z |
| 40 | 1 | 0E5892 | RT0049901 | Membrana adesiva | Stick membrane | Electrolux Up to ser. : 309 |
| 40 | 1 | 0L0233 | RT0049902 | Membrana adesiva | Stick membrane | Electrolux From ser.: 310 Up to ser. Nr.: 005 |
| 40 | 1 | 0L2140 | 54864AS00 | Membrana adesiva | Stick membrane | From Ser Nr.: 006 |
| 41 | 1 | 0L1664 | 548648F00 | Adesivo Zanussi | Stick membrane | From Ser Nr.: 006 |
| 41 | 1 | 0L1665 | 548648G00 | Adesivo Alpeninox | Stick membrane | From Ser Nr.: 006 |
| 41 | 1 | | 54864AK00 | Adesivo Electrolux | Stick membrane | From Ser Nr.: 006 |
| | | | | Pagina 3: Scarico e imp. | Page3: Drain + wash | ill: 21316B |
| 1 | 10 | 0E5016 | W00527600 | Tappo | Plug | Up to Ser: 028 |
| 1 | 10 | 0E5997 | 805656100 | Tappo | Plug | From Ser: 029 |
| 2 | 1 | 0E5465 | W00384900 | Braccio lavaggio inf. | Wash arm; lower | Up to Ser: 028 |
| 2 | 1 | 0E5995 | RT0057101 | Braccio lavaggio inf. | Wash arm; lower | From Ser: 029 |
| 3 | 1 | 0E5467 | W00384800 | Braccio lavaggio sup. | Wash arm; upper | Up to Ser: 028 |
| 3 | 1 | 0E5994 | RT0055501 | Braccio lavaggio sup. | Wash arm; upper | From Ser: 029 Up to Ser: 227 |
| 3 | 1 | 0E6024 | 835618800 | Braccio lavaggio sup. | Wash arm; upper | From Ser: 228 |
| 4 | 1 | 0E5680 | W00094400 | Tubo collegamento getti | Pipe; jets connection | |
| 5 | 2 | 0E5469 | W00140700 | Leva bloccaggio | Lock handle | |
| 6 | 2 | 0E5714 | W00511600 | Guarnizione | Gasket | |
| 7 | 1 | 0E5179 | W00115600 | Riduttore portata | Flow reducer | |
| 8 | 1 | 0E5509 | W00499400 | Tubo gomma 1/2" | Hose 1/2" | |
| 9 | 1 | 0E5954 | 850653401 | Boiler | Boiler | |
| 10 | 2 | 067620 | 246072700 | O Ring | O Ring | |
| 11 | 1 | 049116 | 617611600 | Resistenza 230V 6KW L=460 | Heating element 230V 6KW L=460 | Without CU |
| 11 | 1 | 0E5953 | 617613000 | Resistenza 230V 10,5KW L=460 | Heating element 230V 10,5KW L=460 | With CU |
| 11 | 1 | 0E5956 | 617614000 | Resistenza 230V 12KW L=460 | Heating element 230V 12KW L=460 | ASIAN -Up to Ser: 227 |
| 11 | 1 | 0L0019 | 617619100 | Resistenza 230V 12KW L=460 | Heating element 230V 12KW L=460 | ASIAN -From Ser: 228 |

| Lavastoviglie a cesto trascinato - 1 vasca Rack Type dishwasher - 1 tank | | | | - RT 10 - RT 10 | Grassetto = variazioni Bold Print = changes | |
|---|--------------|----------------------|-----------|--|--|---|
| Pos. | Q.tà Q.ty | Cod.ric. Part No. | | Descrizione | Description | Note / Notes |
| 11 | 1 | 0L0019 | 617619100 | Resistenza 230V 12KW L=460 | Heating element 230V 12KW L=460 | a,b,c,d,p,q,r,s From Ser. Nr. 623 |
| 11 | 1 | 0L0650 | 617622900 | Resistenza 230V 14KW L=460 | Heating element 230V 14KW L=460 | ASIAN, i,l,m,n,e,f,g,h,t,u,v,z Not for a,b,c,d,p,q,r,s |
| 12 | 1 | 0E5953 | 617613000 | Resistenza 230V 10,5KW L=460 | Heating element 230V 10,5KW L=460 | Without CU |
| 12 | 1 | 0E5953 | 617613000 | Resistenza 230V 10,5KW L=460 | Heating element 230V 10,5KW L=460 | With CU |
| 12 | 1 | 0E5956 | 617614000 | Resistenza 230V 12KW L=460 | Heating element 230V 12KW L=460 | ASIAN -Up to Ser: 227 |
| 12 | 1 | 0L0019 | 617619100 | Resistenza 230V 12KW L=460 | Heating element 230V 12KW L=460 | ASIAN -From Ser: 228 |
| 12 | 1 | 0L0019 | 617619100 | Resistenza 230V 12KW L=460 | Heating element 230V 12KW L=460 | a,b,c,d,p,q,r,s From Ser. Nr. 623 |
| 12 | 1 | 0L0650 | 617622900 | Resistenza 230V 14KW L=460 | Heating element 230V 14KW L=460 | ASIAN, i,l,m,n,e,f,g,h,t,u,v,z Not for a,b,c,d,p,q,r,s |
| 13 | 1 | 0E5695 | W00187500 | Squadretta | Bracket | |
| 14 | 1 | 0E5694 | W00187400 | Squadretta | Bracket | |
| 15 | 2 | 0E2887 | W00527200 | Tappo 1/8" | Plug1/8" | |
| 16 | 1 | 0E5509 | W00499400 | Tubo gomma 1/2" | Hose 1/2" | |
| 17 | 8 | 0E5148 | W00136400 | Ugello 9504 | Nozzle 9504 | |
| 18 | 1 | 0E3080 | W00502600 | Nipplo portagomma | Hose nipple | |
| 19 | 1 | 0E2969 | W00233700 | Tubo a gomito | Elbow pipe | |
| 20a | 1 | 0L0924 | 544629200 | Tubo gomma | Hose | ASIAN |
| 20 | 1 | 0L0038 | 544632500 | Tubo gomma | Hose | ASIAN |
| 20 | 2 | 0E5023 | W00019200 | Tubo gomma | Hose | STD - Up to Ser: 227 |
| 20 | 2 | 0L0038 | 544632500 | Tubo gomma | Hose | STD - From Ser: 228 |
| 21 | 1 | 0E2970 | W00132300 | Tubo gomma | Hose | STD - Up to Ser: 227 |
| 21 | 1 | 0L0077 | 544631200 | Tubo gomma | Hose | STD - From Ser: 228 |
| 21 | 1 | 0E2970 | W00132300 | Tubo gomma | Hose | ASIAN |
| 22 | 1 | 0E5335 | W00186500 | Pompa lavaggio 220-240 / 380-415V, 50Hz | Wash pump 220-240 / 380-415V, | Up to Ser: 227 |
| 22 | 1 | 0L0039 | 611622201 | Pompa lavaggio 220-240 / 380-415V, 50Hz | Wash pump 220-240 / 380-415V, | From Ser: 228 |
| 22 | 1 | 0E5962 | 611618600 | Pompa lavaggio 230-400V, 50Hz | Wash pump 230-400V, 50Hz | ASIAN |
| 22 | 1 | 0L0172 | 611622301 | Pompa lavaggio | Wash pump | 60 Hz |
| 23 | 1 | 048898 | 696611900 | Elettrovalvola 20 l/m | Electrovalve 20 l/m | |
| 24 | 2 | 0E6005 | 543627400 | Guarnizione | Gasket | |
| 25 | 1 | 0E5474 | W00234200 | Tubo a gomito; aspirazione | Elbow pipe; suction | |
| 26 | 1 | 046853 | 518602901 | Fascetta 68/85 | Clamp 68/85 | ASIAN -Up to Ser: 227 |
| 26 | 1 | 0E5558 | W00523900 | Fascetta 90-110/112 SW1 | Clamp 90-110/112 | ASIAN -From Ser: 228 |
| 27 | 2 | 0E5475 | W00114900 | Squadretta | Bracket | |
| 28 | 1 | 0E5476 | W00248400 | Crocera aspirazione | Cross suction | |
| 29 | 1 | 0E5058 | W00127200 | Molla; per braccio risciacquo | Spring; for rinse arms | |
| 30 | 1 | 0E5020 | W00104700 | Troppo pieno; compl. | Overflow pipe; compl. | |
| 31 | 1 | 0E5822 | RT0005600 | Squadretta | Bracket | |
| 32 | 1 | 0E5686 | W00112400 | Squadretta; guida sx | Bracket; left guide | |
| 33 | 1 | 0E5685 | W00112300 | Squadretta; guida dx | Bracket; right guide | |
| 34 | 1 | 0E0142 | W00524700 | O Ring | O Ring | |
| 35 | 1 | 0E0141 | W00008400 | Tappo scarico | Plug, for drain | |

| Lavastoviglie a cesto trascinato - 1 vasca Rack Type dishwasher - 1 tank | | | | - RT 10 - RT 10 | Grassetto = variazioni Bold Print = changes | |
|---|--------------|----------------------|-----------|-----------------------------|--|--------------------------------|
| Pos. | Q.tà Q.ty | Cod.ric. Part No. | | Descrizione | Description | Note / Notes |
| 36 | 1 | 0E0010 | W00008900 | O Ring | O Ring | |
| 37 | 1 | 0E5152 | W00522900 | Anello | Seeger C-clamp | |
| 38 | 1 | 0E5056 | W00525500 | Dado di ottone 3/4" M | Nut 3/4" M | |
| 39 | 1 | 0E5523 | W00504500 | Raccordo esagonale 3/4" F | Fitting 3/4" F | |
| 40 | 1 | 049452 | 696613600 | Elettrovalvola 5,5 l/m | Electrovalve 5,5 l/m | |
| 41 | 1 | 0E0113 | W00008500 | Piletta | Drain connection | |
| 42 | 1 | 0E0112 | W00017700 | Guarnizione; per scarico | Gasket; for drain | |
| 43 | 2 | 0E5513 | W00504100 | Portagomma 1/2" | Hose nipple 1/2" | |
| 44 | 4 | 0E0129 | W00004900 | Ammortizzatore | Vibration absorber | |
| 45 | 1 | 0E5532 | W00068800 | Pompa aum. press.; 220-240V | Booster pump; 220-240V | |
| 46 | 1 | 0E5531 | W00526700 | Nipplo 3/4" | Nipple 3/4" | |
| 47 | 1 | 0E5945 | RT0058000 | Assieme risciacquo sup. | Upper rinse assembly | NO ASIAN Up to ser. Nr.: 005 |
| 47 | 1 | 0E5946 | RT0059900 | Assieme risciacquo sup. | Upper rinse assembly | |
| 48 | 1 | 0E5509 | W00499400 | Tubo gomma 1/2" | Hose 1/2" | |
| 49 | 2 | 0E5524 | W00500500 | Guarnizione | Gasket | |
| 50 | 2 | 0E5510 | W00504600 | Portagomma; gomito | Hose nipple; elbow | Up to ser. nr.: 447 |
| 50 | 2 | 0L0653 | 511619900 | Portagomma; gomito | Hose nipple; elbow | From ser. nr.: 448 |
| 51 | 1 | 0E5946 | RT0059900 | Tubo risciacquo inf. | Lower rinse pipe | |
| 52 | 1 | 0E5843 | RT0004301 | Guarnizione; entrata tubi | Gasket; hose inlet | |
| 53 | 1 | 0E5844 | RT0004500 | Piastra; entrata tubi | Plate; hose inlet | |
| 54 | 2 | 0E5507 | W00303700 | Manicotto; innesto bracci | Sleeve; arms fitting | |
| 55 | 2 | 0E5118 | W00524500 | O Ring | O Ring | |
| 56 | 3 | 0E5122 | W00500800 | Guarnizione | Gasket | |
| 57 | 1 | 0E5508 | W00504700 | Portagomma a T | Hose nipple T | Up to ser. nr.: 447 |
| 57 | 1 | 0L0652 | 511619800 | Portagomma a T | Hose nipple T | From ser. nr.: 448 |
| 59 | 1 | 0E5823 | RT0005500 | Passacavo | Cable inlet | |
| 60 | 1 | 0E5845 | RT0004400 | Guarnizione; entrata tubi | Gasket; hose inlet | |
| 61 | 1 | 0E5846 | RT0004600 | Piastra; entrata tubi | Plate; hose inlet | |
| 62 | 1 | 0E5121 | W00499300 | Tubo gomma | Hose | Up to Ser: 227 |
| 62 | 1 | 048531 | 140066039 | Tubo gomma | Hose | From Ser: 228 |
| 63 | 1 | 0L1892 | 544685800 | Valvola DVGW | DVGW valve | |
| 64 | 2 | 0TH079 | 246580200 | Passacavo | Cable inlet | |
| 65 | 1 | 0E5509 | W00499400 | Tubo gomma 1/2" | Hose 1/2" | |
| 66 | 1 | 049502 | 514667500 | Tappo | Plug | NO ASIAN Up to Ser. Nr: 903 |
| 68 | 1 | 0E5848 | RT0011900 | Paraspruzzi | Splash plate | |
| 69 | 1 | 0E5505 | W00107700 | Molla; x braccio risciacquo | Spring; for rinse arms | Up to ser. nr.: 427 |
| 69 | 1 | 0L0560 | 504698300 | Molla; x braccio risciacquo | Spring; for rinse arms | Up to ser. nr.: 428 |
| 70 | 1 | 0E5525 | W00526000 | Manicotto 3/4" F | MSG Sleeve | |
| 71 | 1 | 0E5525 | W00526000 | Manicotto 3/4" F | MSG Sleeve | |
| 72 | 1 | 068573 | 246077000 | O Ring | O Ring | |
| 73 | 1 | 072393 | W00537200 | Tubo | Hose | |
| 74 | 1 | 046631 | 542601002 | Trappola aria | Air trap | |
| 75 | 2 | 0E5032 | W00008200 | Termostato 30-110 C | Thermostat 30-110 C | |
| 76 | 2 | 0E5479 | W00237400 | Manicotto isolante | Sleeve insulation | |
| 77 | 1 | 0E5480 | W00018400 | Squadretta | Bracket | |
| 78 | 4 | 049508 | 514679400 | Portagomma | Rubber-pipe plug | ASIAN |

| Lavastoviglie a cesto trascinato - 1 vasca Rack Type dishwasher - 1 tank | | | | - RT 10 - RT 10 | Grassetto = variazioni Bold Print = changes | |
|---|--------------|----------------------|-----------|----------------------------------|--|---------------------------------|
| Pos. | Q.tà Q.ty | Cod.ric. Part No. | | Descrizione | Description | Note / Notes |
| 79 | 2 | 049509 | 696613300 | Elettrovalvola | Solenoid valve | ASIAN Up to Ser: nr.: 449 |
| 79 | 2 | 0L0569 | 696616100 | Elettrovalvola | Solenoid valve | ASIAN From Ser. nr.: 450 |
| 80 | 2 | | 507609400 | Supporto elettrovalvola | Solenoid valve support | ASIAN |
| 81 | 2 | 049516 | 514679300 | Dado 3/8" G | 3/8" G Nut | ASIAN |
| 82 | 1 | 049202 | 830625401 | Ass.tubo di collegamento | Linking pipe assembly | ASIAN Up to Ser: 227 |
| 82 | 1 | 0L0580 | 830630500 | Ass.tubo di collegamento | Linking pipe assembly | ASIAN From Ser: 228 |
| 83 | 2 | 049510 | 515647501 | Nipplo 3/4" G | 3/4" G Nipple | ASIAN |
| 84 | 1 | 0E5961 | 549642000 | Parzializzatore (rosso) 8l/m | Elbi shutter (red) 8l/m | Boiler; ASIAN |
| 85 | 1 | 048742 | 549620800 | Parzializzatore (nero) 16l/m | Elbi shutter (black) 16l/ | Tank; ASIAN |
| 86 | 2 | 0E5525 | W00526000 | Manicotto 3/4" MSG | 3/4" Msg Sleeve | ASIAN |
| 87 | 2 | | W00526300 | Raccordo 3/4x3/4 | 3/4x3/4 Fitting | ASIAN |
| 88 | 2 | 0E5609 | W00511800 | Raccordo 90° | Elbow | ASIAN |
| 89 | 2 | 068121 | 330700014 | Filtro acqua 3/4" G | 3/4" G Water filter | ASIAN |
| 90 | 1 | 0E5972 | RT0060400 | Boiler a vapore | Steam boiler | Steam |
| 90a | 1 | 0L1525 | 569608300 | Isolante boiler | Boiler insulation | Steam |
| 91 | 1 | 0E5359 | W00334700 | Serpentina vapore | Steam coil | Steam |
| 92 | 1 | 0E3085 | W00223301 | Flangia | Flange | Steam |
| 93 | 1 | 0H2210 | W00017800 | Guarnizione | Gasket | Steam |
| 93a | 1 | 0L2236 | 543633L00 | Guarnizione | Gasket | Steam |
| 94 | 1 | 0E5976 | RT0061000 | Tubo | Pipe | Steam - Up to ser.: 010 |
| 94 | 1 | 0L1604 | 515666200 | Tubo | Pipe | Steam - From ser. nr.: 011 |
| 95 | 1 | 0E0153 | W00513200 | Scarico vapore | Steam trap | Steam |
| 96 | 1 | 0E5975 | RT0060900 | Tubo | Pipe | Steam - Up to ser.: 010 |
| 96 | 1 | 0L1602 | 515666400 | Tubo | Pipe | Steam - From ser. nr.: 011 |
| 97 | 1 | 0E5973 | RT0060800 | Tubo | Pipe | Steam - Up to ser.: 010 |
| 97 | 1 | 0L1605 | 515666100 | Tubo | Pipe | Steam - From ser. nr.: 011 |
| 98 | 1 | 0E5974 | RT0061100 | Elettrovalvola - 230V 50HZ | Solenoid valve | Steam - Up to ser.: 010 |
| 98 | 1 | 0L1482 | 696617700 | Elettrovalvola 230V 50HZ | Solenoid valve | Steam - From ser. nr.: 011 |
| 99 | 1 | 0E5489 | W00504800 | Portagomma; 15x1/2" | Rubber-pipe plug; | Up to Ser.nr.: 447 |
| 99 | 1 | 0L0653 | 511619900 | Portagomma; 15x1/2" | Rubber-pipe plug; | From Ser.nr.: 448 |
| 100 | 1 | 0E5938 | W00177600 | Valvola non ritorno compl | Non return valve compl | RT10 France RT180 Alpeninox |
| 101 | 1 | 0L1939 | 543626700 | O ring | O Ring | |
| 102 | 2 | 0E5529 | W00505000 | Portagomma 15 x 1/2" | Hose nipple 15 x 1/2" | Up to Ser: 227 |
| 102 | 2 | | 514689400 | Portagomma Femmina 15 x 1/2" | Hose nipple Female 15 x 1/2" | RT10 France From Ser: 228 |
| 102 | 1 | | 514689400 | Portagomma Femmina 1/2" | Hose nipple Female 1/2" | RT10 no France From Ser: 228 |
| 102 | 1 | 0L0040 | 514692200 | Portagomma Maschio 1/2" | Hose nipple Male 1/2" | RT10 no France From Ser: 228 |
| 103 | 1 | 048126 | 518609801 | Fascetta | Strip | |
| | | | | Pagina 4: Comp. elettrici | Page 4: Electrical | ill: 21317Ae |
| | | | | Con CU | With CU | |
| | | | | Senza CU | Without CU | |
| 1 | 1 1 | 0E5086 | W00050400 | Termostato sicurezza | Thermostat; safety | |
| 2 | 2 2 | 0E5032 | W00008200 | Termostato 30-110 C | Thermostat 30-110 C | |
| 3 | 1 1 | 0E5724 | W00126600 | Supporto | Holder | |
| 4 | 1 1 | 0E5491 | 482479400 | Flangia vasca | Flange tank | Steam version |

| Lavastoviglie a cesto trascinato - 1 vasca Rack Type dishwasher - 1 tank | | | | - RT 10 - RT 10 | Grassetto = variazioni Bold Print = changes | |
|---|--------------|----------------------|-----------|-----------------------------|--|---|
| Pos. | Q.tà Q.ty | Cod.ric. Part No. | | Descrizione | Description | Note / Notes |
| 5 | 1 1 | 0E5178 | W00126500 | Morsettiera; 3 poli | Connection block; 3 poli | |
| 6 | 1 1 | 0E2261 | W00019500 | Ventilatore | Fan | NO ASIAN Up to ser. Nr.: 005 |
| 7 | 1 1 | | RT0004000 | Canale ventilatore | Channel; for fan | NO ASIAN Up to ser. Nr.: 005 |
| 8 | 1 1 | 0E3731 | 646618800 | Pressostato | Pressure switch | Up to ser.nr.: 427 |
| 8 | 1 1 | 049881 | 646618300 | Pressostato | Pressure switch | From ser.nr.: 428 |
| 9 | | 0E5037 | W00525000 | O Ring | O Ring | |
| 10 | | 0E5163 | W00119400 | Resistenza; 230V 9KW | Heating element; 230V 9KW | RT10-WT90-RT180-NERT10- NERT20 g,h,t,u,m,n,v,z |
| 10 | | 0E5161 | W00119500 | Resistenza; 230V 7,5KW | Heating elem.; 230V | ASIAN-RT180-ASIAN e,f, i,l |
| 10 | | 0E5162 | W00119300 | Resistenza; 230V 12KW | Heating elem.; 230V | a,b,c,d,p,q,r,s |
| 11 | | 0E5492 | W00023102 | Flangia | Flange | |
| 12 | 1 1 | 078026 | W00006100 | Morsettiera; 7poli | Connection block; 7 | X13 - No ASIAN |
| 13 | 1 1 | | W00166300 | Squadretta | Bracket | |
| 14 | 1 1 | 078026 | W00006100 | Morsettiera; 7poli | Connection block; 7 | X14 - No ASIAN |
| 15 | 1 1 | 046289 | 665601200 | Corpo Lampada bianco | Lamp cap; white | Electrolux-Alpen |
| 15 | 1 1 | 075096 | 665601301 | Corpo Lampada verde | Lamp cap; green | Zanussi |
| 16 | 2 2 | 048525 | 657601800 | Termometro | Thermometer | Electrolux-Alpen |
| 16 | 2 2 | 048544 | 657601901 | Termometro | Thermometer | Zanussi |
| 17 | 1 1 | 0E5889 | RT0004701 | Supporto | Bracket | No ASIAN |
| 18 | - 3 | 048497 | 640608500 | Contatto ausiliario | Auxiliary contact | i,l,m,n,e,f,g,h,t,u,v,z |
| 19 | 1 - | 0E5669 | W00506200 | Temporizzatore | Timer S17 | |
| 20 | 1 1 | 0E5849 | RT0030400 | Relè; 2 cont. 230V | Relay; 2 cont. 230V | K14 - No ASIAN |
| 20 | 1 1 | 0E5173 | W00502100 | Zoccolo | Socket | |
| 21 | 1 1 | 075796 | 648608400 | Contattore; 230V 12A | Contactor; 230V 12A | K4 Up to ser. nr. 322 |
| 21 | | 0L0354 | 648612700 | Contattore; 230V 25A | Contactor; 230V 25A | K4 - 50 Hz From ser. nr. 323 |
| 21 | 1 1 | 0L0679 | 648612800 | Contattore; 230V 25A | Contactor; 230V 25A | K4 -60 Hz versions only |
| 22 | 1 1 | 0W0690 | RT0031900 | Contattore; 230V 10A | Contactor; 230V 10A | K10 Up to ser. nr. 322 |
| 22 | 1 1 | 0L0364 | | Contattore; 230V 50A | Contactor; 230V 50A | (0L0355 + 046995) From ser. nr. 323 |
| 22 | 1 1 | 0L0678 | 648613300 | Contattore; 230V 60A | Contactor; 230V 60A | K10 |
| 23 | 1 1 | 075796 | 648608400 | Contattore; 230V 12A | Contactor; 230V 12A | K8 |
| 24 | 1 1 | 075796 | 648608400 | Contattore; 230V 12A | Contactor; 230V 12A | K2 |
| 25 | 1 1 | 046347 | 639610802 | Morsettiera; 6 poli | Connection block; 6 | X9 |
| 26 | 1 1 | 046347 | 639610802 | Morsettiera; 6 poli | Connection block; 6 | X2 |
| 27 | 1 1 | | RT0004903 | Supporto componenti | Mounting plate | Up to Ser: 227 |
| 27 | 1 1 | 0TH097 | 504691400 | Supporto componenti | Mounting plate | From Ser: 228 |
| 28 | 1 1 | 049303 | 694605400 | Filtro RFI; Trifase | RFI Filter; Three phase | No ASIAN |
| 31 | 1 1 | 0F0112 | W00507500 | Morsettiera | Connection block | |
| 33 | 1 1 | 0E5894 | 652604300 | Interruttore aut.; 10A 3-P | Automatic switch; 10A | F4 - Up to Ser: 227 |
| 33 | 1 1 | 0L0041 | 652606200 | Interruttore aut.; 10A 3-P | Automatic switch; 10A | F4 - From Ser: 228 |
| 34 | 1 1 | 0E5900 | 652604900 | Interruttore aut.; 50A 3-P | Automatic switch; 50A | F8 - Up to Ser: 227 |
| 34 | 1 1 | 0L0043 | 652606800 | Interruttore aut.; 50A 3-P | Automatic switch; 50A | F8 - From Ser: 228 |
| 34 | 1 1 | 0L0651 | 652607000 | Interruttore aut.; 63A 3-P | Automatic switch; 63A | F8 - ASIAN, i,l,m,n,v,z |
| 34A | - 2 | 0E6020 | 652606700 | Interruttore aut. tripol.4C | 3-poles automatic | a,b,c,d,p,q,r,s |
| 36 | 1 1 | 0W0690 | RT0031900 | Contattore; 220V 10A | Contactor; 220V 10A | K108 |
| 37 | 1 1 | 0E5896 | 652604500 | Interruttore aut.; 20A 3-P | Automatic switch; 20A 3-P | F10, with HAB Up to Ser: 227 |

Per gli interruttori automatici vedi bollettino tecnico nr. CG-2003_21 (pag. 16)

For automatic fuses see technical bulletin nr. CG-2003_21 (pag. 16)

Da Ser.Nr./From Ser.nr.: 228 /

Page: 13 Ed.2007-06

Doc. Nr.: 6-50 001A

| Lavastoviglie a cesto trascinato - 1 vasca Rack Type dishwasher - 1 tank | | | | - RT 10 - RT 10 | Grassetto = variazioni Bold Print = changes | |
|---|--------------|----------------------|-----------|---------------------------------|--|--|
| Pos. | Q.tà Q.ty | Cod.ric. Part No. | | Descrizione | Description | Note / Notes |
| 37 | 1 1 | 0L0042 | 652606400 | Interruttore aut.; 20A 3-P | Automatic switch; 20A 3-P | F10, with HAB From Ser: 228 |
| 38 | 1 1 | 0E0102 | W00003700 | Magnete | Magnet | Up to Ser: 227 |
| 38 | 1 1 | 088361 | 699604200 | Magnete STEM type M375 | Magnet STEM type | From Ser: 228 |
| 39 | 1 1 | 0E5852 | RT0017300 | Molla | Spring | |
| 40 | 1 1 | 0E5853 | RT0005200 | Squadretta | Bracket | |
| 41 | 1 1 | 0E0003 | W00011700 | Microinterruttore | Magnetic switch | Up to Ser: 227 |
| 41 | 1 1 | 049966 | 654600300 | Microinterruttore | Magnetic switch | From Ser: 228 |
| 42 | 2 1 | 0E5854 | RT0029500 | Microinterruttore | Magnetic switch | 2pcs with Autostart Up to Ser: 227 |
| 42 | 2 1 | 049969 | 654600500 | Microinterruttore | Magnetic switch | 2pcs with Autostart From Ser: 228 |
| 43 | 1 1 | 0TH000 | RT0005000 | Squadretta | Bracket | |
| 44 | 1 | 0E5220 | W00535600 | Protezione termica; 4-6A; K2 | Bimetallic; 4-6A; K2 | ASIAN |
| 45 | 1 1 | 046995 | 640605400 | Contatto ausiliario | Auxiliary contact | with Autostart |
| 45 | - 2 | 046995 | 640605400 | Contatto ausiliario | Auxiliary contact | a,b,c,d,e,f,g,h,p,q,r,s, i,l,m,n,t,u,v,z |
| 46 | 1 1 | 075796 | 648608400 | Contattore; 220V 10A | Contactor; 220V 10A | K11 |
| 48 | 1 1 | 048402 | 548616600 | Manopola | Knob | Zanussi |
| 48 | 1 1 | 0E3019 | W00048900 | Manopola | Knob | Electrolux |
| 48 | 1 1 | 048920 | 548621600 | Manopola | Knob | Alpeninox |
| 50 | 1 1 | 048271 | 641603202 | Interruttore ON/OFF | ON/OFF Switch | |
| 51 | 1 1 | 048488 | 655601900 | Lampada fluorescente | Lamp | |
| 52 | 1 1 | 047046 | 640605500 | Contatto ausiliario | Auxiliary contact | No ASIAN |
| 52 | - 1 | 047046 | 640605500 | Contatto ausiliario | Auxiliary contact | i,l,m,n,v,z Up to Ser. Nr. 9033 |
| 53 | 1 1 | 0E2332 | W00366900 | Sostegno sensore magnetico | Magnetic sensor support | Up to Ser: 227 |
| 53 | 1 1 | 049968 | W00366901 | Sostegno sensore magnetico | Magnetic sensor support | From Ser: 228 |
| 54 | 1 1 | 0E5496 | 482738000 | Supporto | Holder | Steam version |
| 55 | 1 1 | 0E5358 | 482479600 | Serpentina a vapore | Steam coil | Steam version |
| 56 | 2 2 | 0L0179 | 518612900 | Guarnizione in rame | Copper gasket | Steam version |
| 57 | 1 1 | 0H2583 | W00511900 | Raccordo | Joint | Steam version |
| 58 | 1 1 | 0E5974 | RT0061100 | Elettrovalvola - 230V 50HZ | Solenoid valve | Steam - Up to ser.: 010 |
| 58 | 1 | 0L1482 | 696617700 | Elettrovalvola 230V 50HZ | Solenoid valve | Steam - From ser. nr.: 011 |
| 59 | 1 1 | 0E5494 | 482690400 | Assieme tubo | Pipe cpl. | Steam - Up to ser.: 010 |
| 59 | 1 1 | 0L1605 | 515666100 | Tubo | Pipe | Steam - From ser. nr.: 011 |
| 60 | 1 1 | 0E0153 | W00513200 | Scaricatore | Steam trap | Steam version |
| 61 | 1 1 | 0E5493 | 482690500 | Tubo compl. | Pipe cpl. | Steam - Up to ser.: 010 |
| 61 | 1 1 | 0L1605 | 515666100 | Tubo | Pipe | Steam - From ser. nr.: 011 |
| 62 | - 4 | 0L0355 | 648613200 | Contattore | Contactor | K8,K10,K81.K101 a,b,c,d,p,q,r,s |
| 62 | - 2 | 0L0355 | 648613200 | Contattore | Contactor | K8,K10 i,l,m,n,e,f,g,h,t,u,v,z x.y.j.w |
| 62 | - 2 | 0L0678 | 648613300 | Contattore | Contactor | |
| 63 | - 1 | 0F0058 | W00507401 | Morsetteria | Connection block | a,b,c,d,p,q,r,s |
| 64 | 2 2 | 0L2017 | 639629600 | Morsetto | Terminal block | ROW VERSION |
| 65 | 1 1 | 0L2019 | 639629800 | Morsetto | End terminal block | ROW VERSION |

Per gli interruttori automatici vedi bollettino tecnico nr. CG-2003_21 (pag. 16)

For automatic fuses see technical bulletin nr. CG-2003_21 (pag. 16)

Da Ser.Nr./From Ser.nr.: 228 /

| Lavastoviglie a cesto trascinato - 1 vasca Rack Type dishwasher - 1 tank | | | | - RT 10 - RT 10 | Grassetto = variazioni Bold Print = changes | |
|---|--------------|----------------------|-----------|--------------------------------|--|--------------------|
| Pos. | Q.tà Q.ty | Cod.ric. Part No. | | Descrizione | Description | Note / Notes |
| 66 | 1 1 | 0L2018 | 639629700 | Piastra terminale | End plate | ROW VERSION |
| | | | | Pagina 5: Cond. fumane | Page 5: Condensing | ill: 21318z |
| 1 | 1 | | W00467701 | Pannello superiore | Panel upper | Up to Ser: 227 |
| 1 | 1 | 0L1043 | 800663600 | Assieme supporto ventola | Fan Support Assembly | From Ser: 228 |
| 2 | 1 | 0E5951 | 611619601 | Motore; ventola CU | Motor | |
| 3 | 1 | 0E5952 | 549641800 | Ventilatore | Fan | |
| 4 | 1 | 0E5949 | RT0059200 | Coperchio | Top | Up to Ser: 227 |
| 4 | 1 | 0L1044 | 501699800 | Coperchio | Top | From Ser: 228 |
| 5 | 1 | 0E5581 | W00209700 | Condensatore | Condenser | |
| 6 | 1 | 0E5225 | W00536100 | Guarnizione | Gasket | L=210 |
| 7 | 2 | 0E2365 | W00530400 | Passacavo | Cable inlet | |
| 8 | 4 | 0E5225 | W00536100 | Guarnizione | Gasket | L=440 |
| 9 | 4 | 0E5225 | W00536100 | Guarnizione | Gasket | L=175 |
| 10 | 2 | 0E5225 | W00536100 | Guarnizione | Gasket | L=1200 |
| 11 | 1 | 0E5948 | RT0059000 | Involucro; per unità CU | Casing; for CU | |
| 12 | 2 | 0E2331 | W00530300 | Passacavo | Cable inlet | |
| 13 | 1 | | RT0059100 | Separatore | Air flow | |
| 14 | 1 | 0E5577 | W00214700 | Chiusura ventilatore | Closure plate; for fan | |
| 15 | 1 | 0E5579 | W00214600 | Fascia scatola ventilatore | | |
| 16 | 6 | 0TH056 | 217042065 | Vite M4x6 | Screw | |
| 17 | 2 | 048126 | 518609801 | Fascetta 13-20; inox | Hose clamp 13-20 | Up to Ser: 227 |
| 17 | 2 | 049888 | 518613100 | Fascetta 12-22; inox | Hose clamp 12-22 | From Ser: 228 |
| 18 | 1 | 0E5969 | 501693300 | Paragocce | Splashguard | |
| 19 | 2 | 0E5770 | W00243200 | Gocciolatoio | Drip guard | |
| 20 | 1 | 0E5968 | 507619100 | Coperchio; motore vent. (2) | Cover; for fan | |
| 21 | 1 | 0E5970 | 507619000 | Coperchio; motore vent. (1) | Cover; for fan | |
| 22 | 1 mt | 0E5225 | W00536100 | Neoprene per Assieme | Fan assembly support | |
| | | | | Pagina 6: HAB | Page 6: HAB | ill: 21301 |
| | [| | | Riscaldamento elettrico | Electric heated | |
| | [| | | Riscaldamento vapore | Steam heated | |
| 1 | 1 - | 0E5593 | 482256700 | Outer top | | |
| 1 | - 1 | 0E5594 | 482742300 | Coperchio | Outer top | 1). |
| 1 | - 1 | 0E5595 | 482742200 | | Outer top | 2). |
| 2 | 1 - | 0E5753 | 482423900 | | Mounting plate | |
| 2 | - 1 | 0E5776 | 491335000 | | Mounting plate | |
| 3 | 1 1 | 0E5032 | 475770402 | Termostato | Thermostat | |
| 4 | 1 1 | 0E5080 | 481950105 | Controllo di temperatura | Overh. protection | |
| 5 | 3 3 | 046994 | 648608700 | Contattore | Contactore | Up to ser. nr. 322 |
| 5 | 3 3 | 0L0360 | 648612900 | Contattore 24V | Contactore 24V | From ser. nr. 323 |
| 5 | 3 3 | 0L0354 | 648612700 | Contattore 230V | Contactore 230V | |
| 6 | 1 1 | 0E5124 | 767620500 | Protezione | Motor protection | 380 - 440V |
| 6 | | 0E5450 | 767620700 | Protettore termico | Motor protection | 200 - 255V |
| 7 | 1 | 0L0042 | 652606400 | Interruttore aut.; 20A 3-P | Automatic switch; 20A | |
| 7 | 1 | 0L0041 | 652606200 | Interruttore aut.; 10A 3-P | Automatic switch; 10A | |
| 8 | 1 1 | 0E5176 | 481601300 | Fermo | Terminal block | |

1). Macchine con alimentazione SX / Left feeded machines
2).Macchine con alimentazione DX / Right feeded machines

Da Ser.Nr./From Ser.nr.: 228 /

Page: 15 Ed.2010-02

Doc. Nr.: 6-50 001A

| Lavastoviglie a cesto trascinato - 1 vasca Rack Type dishwasher - 1 tank | | | | - RT 10 - RT 10 | Grassetto = variazioni Bold Print = changes | |
|---|--------------|----------------------|-----------|--------------------------------------|--|--|
| Pos. | Q.tà Q.ty | Cod.ric. Part No. | | Descrizione | Description | Note / Notes |
| 11 | 2 2 | 0E5248 | 482204200 | Tappo | Sealing plug | |
| 12 | 4 4 | 0E5754 | 482424400 | | Top holder | |
| 13 | 1 1 | 0E5249 | 476040100 | Guarnizione | Gasket | |
| 14 | 1 1 | 0E5596 | 461090471 | Tubo | Outlet pipe | |
| 15 | 2 2 | 0E5150 | 462479801 | Morsetto | Clamp | |
| 16 | 2 2 | 0E5734 | 482250306 | | Rail | |
| 17 | 1 1 | 0E5250 | 482254100 | | Stand | |
| 18 | 1 1 | 0E5251 | 476804800 | Scarico | Drain | |
| 19 | 1 1 | 0E5252 | 482428200 | Scarico | Drain | |
| 20 | 2 2 | 0E5597 | W00129800 | Piastrina | Closing plate | |
| 21 | 1 1 | 0E5779 | 482267500 | | Feeding ladder | |
| 22 | 4 4 | 0E5007 | 482252100 | Supporto | Carrier | |
| 23 | 2 2 | 0E5005 | 482349500 | Albero | Shaft | |
| 24 | 2 2 | 0E5006 | 482257600 | Guida | Slide shoe | |
| 25 | 1 1 | 0E2728 | 482760000 | Tendina | Curtain | |
| 26 | 1 1 | 0H2300 | 478566403 | Vite | Screw | LKCS 5x50 |
| 27 | 1 1 | | 464321201 | | Washer | |
| 28 | 1 1 | 0E5081 | 467969525 | Ventola | Fan | |
| 29 | 1 - | 0E5752 | 482423700 | | El. cassette | |
| 29 | - 1 | 0E5773 | 482742700 | | El. cassette | |
| 30 | 1 - | 0L2882 | 5066A0800 | Clip | Clip | |
| 31 | 1 1 | 0E3032 | 475934603 | | Rail | |
| 32 | 1 1 | 0E5123 | 477594000 | Distanziale | Motor spacer | Up to ser. nr.: 822 |
| 32 | 1 1 | 0E5801 | W00016101 | Distanziale | Motor spacer | From ser. nr.: 823 |
| 33 | 1 1 | 0E5048 | 735923240 | Cuneo | Wedge | |
| 34 | 1 1 | 0E5599 | 482700000 | Motore | Motor | 50Hz 220-240/380-415V |
| 34 | 1 1 | 0E5600 | 482700001 | | Motor | Up to ser. nr.: 822 60Hz 220-255/380-440V |
| 34 | 1 1 | 0E5800 | W00337001 | Motore | Motor | Up to ser. nr.: 822 50Hz/60Hz From ser. nr.: 823 |
| 35 | 1 1 | 0E5747 | 482415600 | | Drain | |
| 36 | - 1 | 0E5772 | 482742400 | | Cover plate | |
| | | | | Pagina 7: HAB, Riscaldam. | Page 7: HAB, heating | ill: 21302 |
| 1 | 1 | 0E0153 | W00513200 | Scaricatore | Steam trap | |
| 2 | 1 | 0E5601 | 482691200 | Tubo | Pipe | 1). Up to ser. nr.: 010 |
| 2 | 1 | 0E5602 | 482691300 | Tubo | Pipe | 2). Up to ser. nr.: 010 |
| 2 | 1 | 0L1601 | 515666500 | Tubo | Pipe | From ser. nr.: 011 |
| 3 | 1 | 0E0686 | 742111520 | Tubo | Angular element | 3/4" |
| 4 | 1 | 0E5603 | 475829910 | Nipple 3/4" | Nipple 3/4" | Up to ser. nr.: 010 |
| 4 | 1 | 0L2235 | W00814901 | Nipple 3/4" | Nipple 3/4" | From ser. nr.: 011 |
| 5 | 1 | 0H2583 | 63597003 | Raccordo 3/4" | Connection 3/4" | Up to ser. nr.: 010 |
| 5 | 1 | 072457 | W00526300 | Raccordo 3/4" | Connection 3/4" | From ser. nr.: 011 |
| 6 | 3 | 0E5056 | W00525500 | Nipplo | Pipe nut | 3/4" |
| 7 | 1 | 0E5604 | 482691900 | Serpentina | Steam coil | |
| 8 | 12 | 0E5127 | 476040200 | Guarnizione | Gasket | |

1). Macchine con alimentazione SX / Left feeded machines
2).Macchine con alimentazione DX / Right feeded machines

Da Ser.Nr./From Ser.nr.: 228 /

Page: 16 Ed.2013-03

Doc. Nr.: 6-50 001A

| Lavastoviglie a cesto trascinato - 1 vasca Rack Type dishwasher - 1 tank | | | | - RT 10 - RT 10 | Grassetto = variazioni Bold Print = changes | |
|---|--------------|----------------------|-----------|------------------------------|--|---------------------------------|
| Pos. | Q.tà Q.ty | Cod.ric. Part No. | | Descrizione | Description | Note / Notes |
| 9 | 6 | 0E5126 | 464212500 | Resistenza | Heating element | 220 / 400V |
| 9 | 6 | 0E5253 | 464212501 | Resistenza | Heating element | 240 / 415V |
| 9 | 6 | 0E5605 | 464212502 | Resistenza | Heating element | 200V |
| 9 | 6 | | 464212503 | Resistenza | Heating element | 255 / 440V |
| 10 | 2 | 0E5606 | W00503801 | Nipple | Pipe nipple | 3/4" |
| 11 | 1 | 0E5607 | 482691400 | Tubo | Pipe | 1). Up to ser. nr.: 010 |
| 11 | 1 | 0E5608 | 482691500 | Tubo | Pipe | 2). Up to ser. nr.: 010 |
| 11 | 1 | 0L1605 | 515666100 | Tubo | Pipe | From ser. nr.: 011 |
| 12 | 1 | 0E2200 | 482174003 | Elettrovalvola | Solenoid valve | 24V - 50 Hz |
| 12 | 1 | 0E2280 | 482174006 | Elettrovalvola | Solenoid valve | 24V - 60 Hz |
| 12 | 1 | 0L1482 | 696617700 | Elettrovalvola | Solenoid valve | 230V - 50 Hz From ser. nr.: 011 |
| 13 | 1 | 0E5609 | W00511800 | Raccordo | Angle coupling | 3/4" |
| 14 | 4 | 0L2236 | 543633L00 | Guarnizione | Gasket | |
| | | | | Elementi di fissaggio | Attachment elements | |
| | | 0KU151 | W00501200 | Dado flangiato M4 | Flange nut M4 | |
| | | 0E5372 | W00501300 | Dado flangiato M5 | Flange nut M5 | |
| | | 0H2562 | W00501400 | Dado flangiato M6 | Flange nut M6 | |
| | | 0E5063 | W00501500 | Dado flangiato M8 | Flange nut M8 | |
| | | 0E5592 | W00501600 | Dado flangiato M10 | Flange nut M10 | |
| | | 0E0900 | W00523200 | Fascetta d=24 | Hose clamp d=24 | |
| | | 0E0650 | W00523400 | Fascetta d=38 | Hose clamp d=38 | |
| | | 0E2686 | W00523500 | Fascetta d=50 | Hose clamp d=50 | |
| | | 072582 | W00523600 | Fascetta d=65 | Hose clamp d=65 | |
| | | 0E1358 | W00523700 | Fascetta d=75 | Hose clamp d=75 | |
| | | 0E5558 | W00523900 | Fascetta d=112 | Hose clamp d=112 | |