



## **IMPULSE™** COUNTER ELECTRIC DISPENSER



### **FEATURES**

**Merchandising** - Accepts a variety of merchandising messages

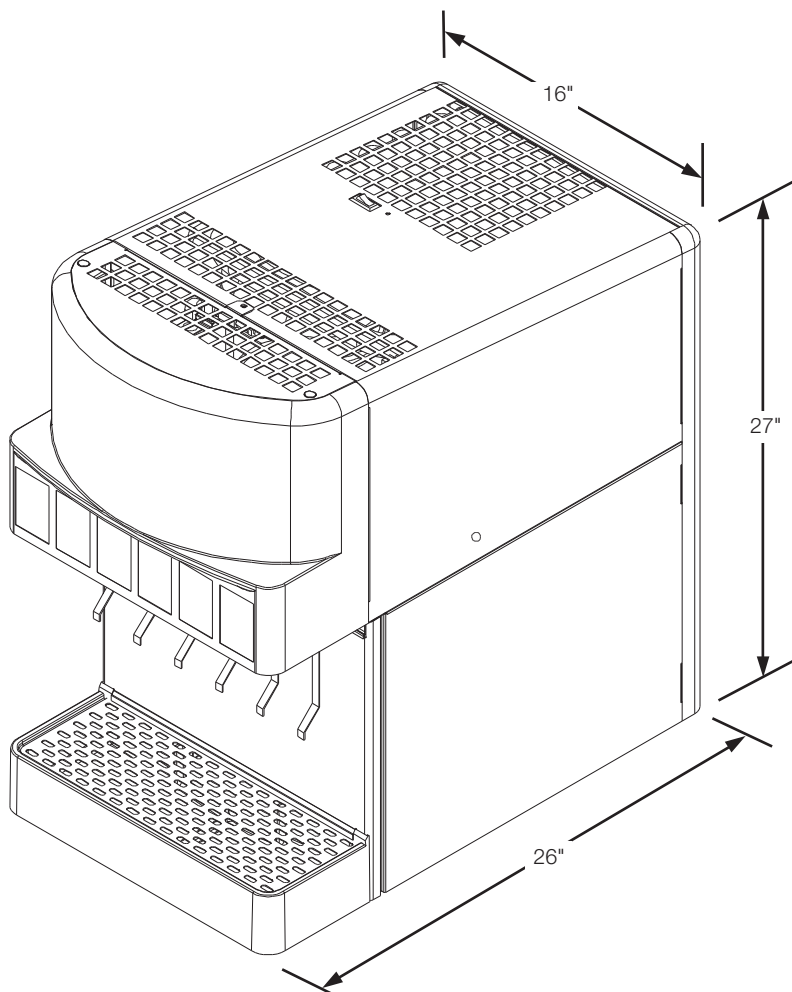
**Engineering advantage** - Designed for performance, reliability and easy serviceability

**Ease of service** - Common components across all units  
and greater inventory efficiencies for ease of service

**Serviceability** - Critical components such as the valves and ice bank control  
are easily accessible for service

**Flexibility** - 3-2-1 manifold for maximum carb non-carb flexibility

**Options** - Available with colder ambient carbonation



PART NUMBER	DESCRIPTION
851000153	Impulse™ 1-6 UF-1 Sanitary Lever Valves, Integral Carbonation, 120V / 60Hz
851000317	Impulse™ 1-6 UF-1 Sanitary Lever Valves, Remote Carbonation, 120V / 60Hz

## TECHNICAL SPECIFICATIONS

TYPE OF VALVES . . . . . UF-1 sanitary lever  
 NUMBER OF VALVES . . . . . 6  
 OPTIONAL NUMBER  
 OF NON CARB VALVES . . . . . 3-2-1 manifold  
 REFRIGERANT . . . . . R-134a  
 ELECTRICAL REQUIREMENTS . . 120 V / 60 Hz  
 CONTINUOUS  
 DRINK CAPACITY . . . . . 2.5 12 oz (355 mL)  
 drinks/min @  
 75°F (24°C) ambient

PEAK DRINK CAPACITY . . . . . 217 12 oz (355 mL)  
 drinks/min  
 @ 75°F (24°C) ambient  
 CUP CLEARANCE . . . . . 10.25" (26 cm)  
 COMPRESSOR . . . . . 1/3 HP  
 WATER BATH SIZE . . . . . 17 gal (64.4 L)  
 ICE BANK SIZE . . . . . 30 lb (13.6 kg)  
 SHIPPING WEIGHT . . . . . 124 lb (56 kg)

AGENCY LISTINGS . . . . .   

