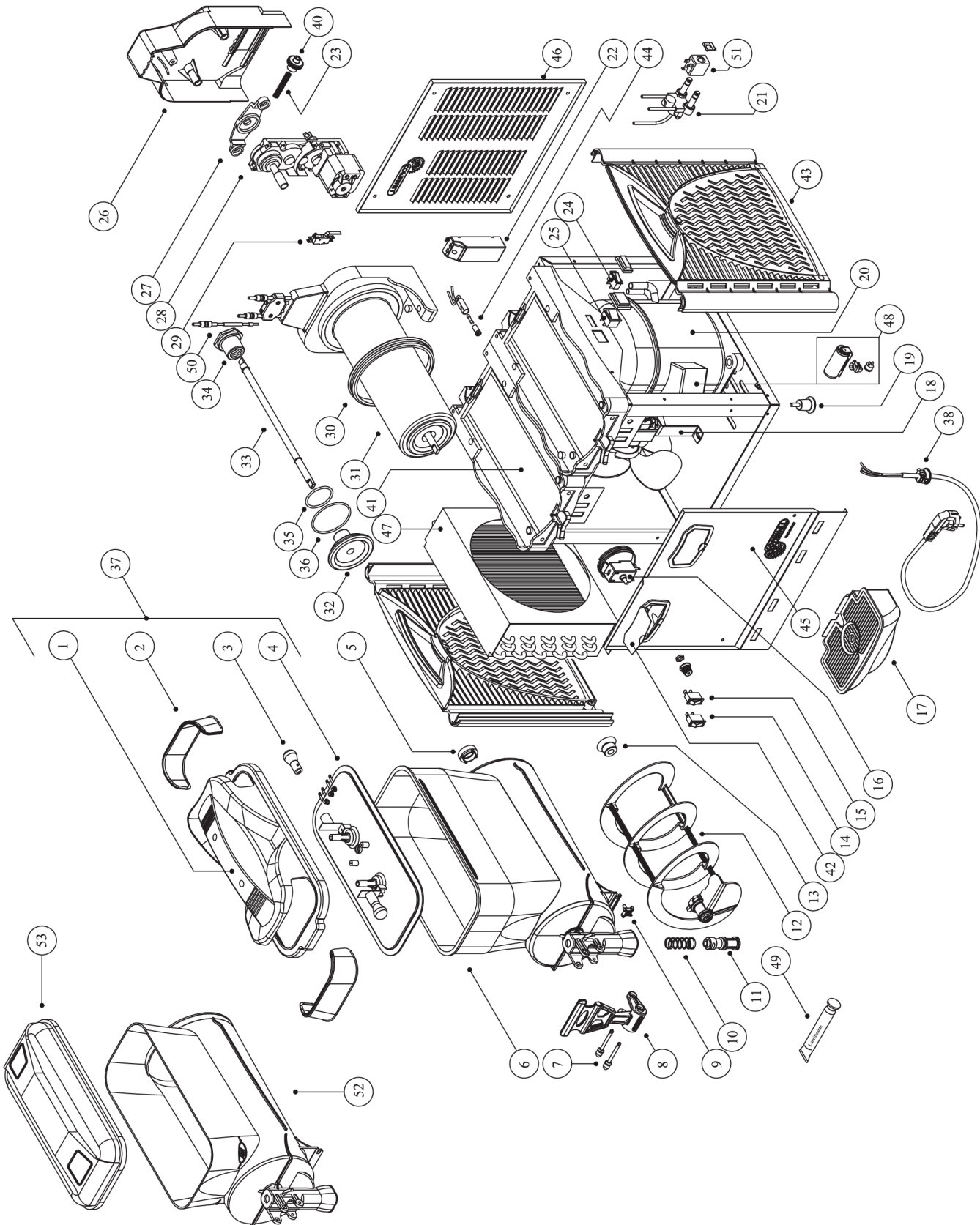


OASIS FUB MACHINE ASSEMBLY



OASIS FUB MACHINE ASSEMBLY

ITEM	SCHROEDER PN	DESCRIPTION
1	2107	LID
2	2122	SCREEN FOR LID
3	2158	12V-10W LAMP
4	2127	UNDER-LID
5	2112	METAL RING FOR SPIRAL BLADE
6	2133	BOWL OASIS 10Lt
7	2150	ROTATION PIN
8	2117	TAP LEVER
9	2149	FIXING KNOB
10	2120	TAP SPRING
11	2134	TAP VALVE
12	2113	SPIRAL BLADE
13	2115	SPIRAL BLADE GASKET
14	2137	SLUSH/DRINK SWITCH
15	56	SPIRAL BLADE SWITCH
16	2160	THERMOSTAT
17	2161	COMPLETE DRIP TRAY
18	2138	FAN MOTOR 220-240V - 50/60Hz
	2208	FAN MOTOR 115V - 60Hz
19	2153	RUBBER LEG H=35
20	2186	COMPRESSOR 220-240V - 50Hz
	2187	COMPRESSOR 115V - 60Hz
21	2143	ELECTROVALVE COMPLETE 220V
	2184	ELECTROVALVE COMPLETE 115V
22	2166	TRANSFORMER 220-240V - 50Hz
	2167	TRANSFORMER 115V - 60Hz
23	2157	THICKNESS CONTROL SPRING
24	56	LIGHT SWITCH
25	57	MAIN SWITCH
26	2108	BACK SUPPORT COVER
27	2131	MOTOR-GEARBOX SUPPORT
28	2121	MOTOR-GEARBOX 220/115V - 50/60Hz
29	2168	MICRO-SWITCH
30	2116	BOWL GASKET
31	2110	EVAPORATOR
32	2145	EVAPORATOR COVER
33	2101	TRANSMISSION SHAFT
34	2111	METAL RING M25
35	2123	EVAPORATOR COVER INNER OR (SMALL)
36	154	EVAPORATOR COVER INNER OR (LARGE)
37	2159	COMPLETE LID
38	54	CABLE CORD 220V
	407	CABLE CORD 115V
40	2169	THICKNESS CONTROL KNOB
41	2125	EVAPORATOR PLATE
42	2126	SWITCHES BOX
43	2148	SIDE PANEL
44	2172	FUSE
45	2220	FRONT PANEL
46	2174,01	BACK PANEL
47	2146,01	CONDENSER
48	2186,01	ELECTRIC PARTS KIT 220-240V - 50Hz
	2187,01	ELECTRIC PARTS KIT 115V - 60Hz
49	2118	LUBRICANT TUBE
50	2103	ELECTRIC CONTACT SHAFT
51	2105	COIL 220V - 5060 Hz
	2183	COIL 115V - 50/60Hz
52	2133,01	BOWL KREAM LINE 6 Lt
53	2107,02	KREAM LINE LID

