



## Modular ice maker - Granular system

Hotel	██████████
Restaurant	██████████
Fast food	██████████
Bar	██████████
Disco	██████████
Fish market	██████████
Supermarket	██████████
Medical & SPA	██████████
Industry	██████████

### ► Position n°



### ► Features & Plus

- Granular ice - 80-82% dry
- 1l (water) - 1kg (ice)
- AISI 304 SS Scotch Brite finish
- Tropical class +43°C
- Specific volume 1 m<sup>3</sup> = 550 kg of ice
- Removable and cleanable air filter
- AISI 304 SS evaporator
- Air cooling system
- Easy cleanable internal rounded surfaces
- Dust-proof water basin
- RoHS Free
- Electromechanical operation
- ON-OFF rocker switch
- Rotation sensor on low speed shaft
- Automatic water charge
- Frame in INOX



Removable and cleanable air filter



AISI 304 SS evaporator



Dust-proof water basin



Easy cleanable internal rounded surfaces



Frame in INOX

## Years Warranty

subject to limitations

### ► Prod. 24h

	Air temp.	Water temp.	lbs
	50° F	50° F	1367
	70° F	60° F	1190
	90° F	70° F	992

### ► Certifications available for this model



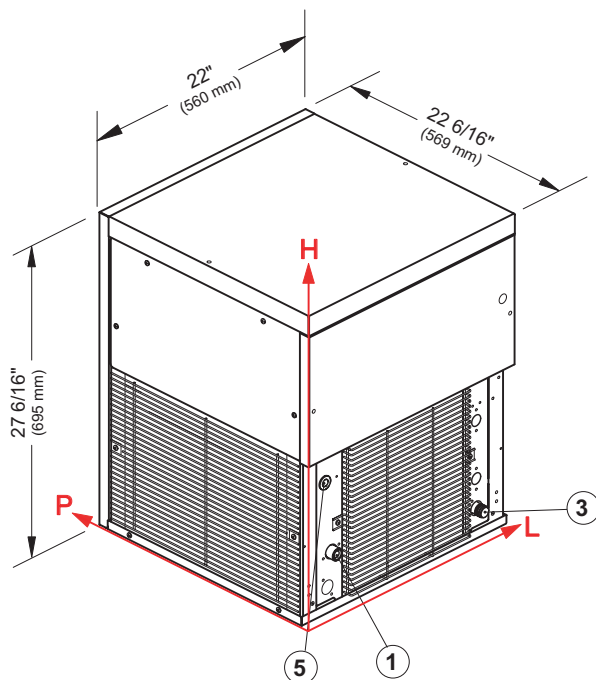


Ice Flakes

# G 510



## Modular ice maker - Granular system



### ► Working conditions

- Location: **Indoor**

	Min	Max
Ambient temperature	+50° F	+110° F
Water temperature	+37° F	+90° F
Voltage	-10%	+10%
Water inlet pressure	1bar (14 psi)	6bar (84 psi)

### ► Connections

All measures are referred to the down-left corner (L-H-Ø)

- ① Water in.: 3 6/8" - 5 2/16" - 3/4"
- ② Water out.: 18 14/16" - 2 9/16" - 15/16"
- ③ Electrical connection: 2 11/16" - 11 7/16" - 15/16"

### ► Technical information

Production in 24h *	992 lbs	Water consumption **	12 gal/100 lbs
Cooling system	A	Sizes (L-P-H in)	22 - 22 6/16 - 27 6/16
Refrigerant	R404A	Sizes with pack (L-P-H in)	25 6/16 - 25 6/16 - 35 13/16
Standard voltage	220 V ~ 60Hz	Net weight	225 lbs
Electrical consumption ***	1700 W	Gross weight	249 lbs
Fuse	20 A	Finish	AISI 304 stainless steel, scotch brite

All the technical information must be considered at the following conditions:

\* Production at Ambient temperature **+90° F** / Water temperature **+70° F**

\*\* Water consumption at Ambient temperature **+70° F** / Water temperature **+60° F**

\*\*\* Electrical consumption at ambient temperature **+109° F**

Models and specifications are subject to change without notice

Rev. 01 - Issued January 2016



**BREMA ICE MAKERS SPA**

Via dell'Industria 10,  
20020 Villa Cortese (MI), Italy

tel. +39 0331 434811  
fax +39 0331 433833

[www.bremaice.it](http://www.bremaice.it)  
[info@bremaice.it](mailto:info@bremaice.it)

Bim + Data  
download



Installation



We are Brema

