



*CB 840*

# LIST OF THE EXPLODED VIEWS



*SHELL ASSY*

*COOLING SYSTEM*

*HYDRAULIC CIRCUIT*

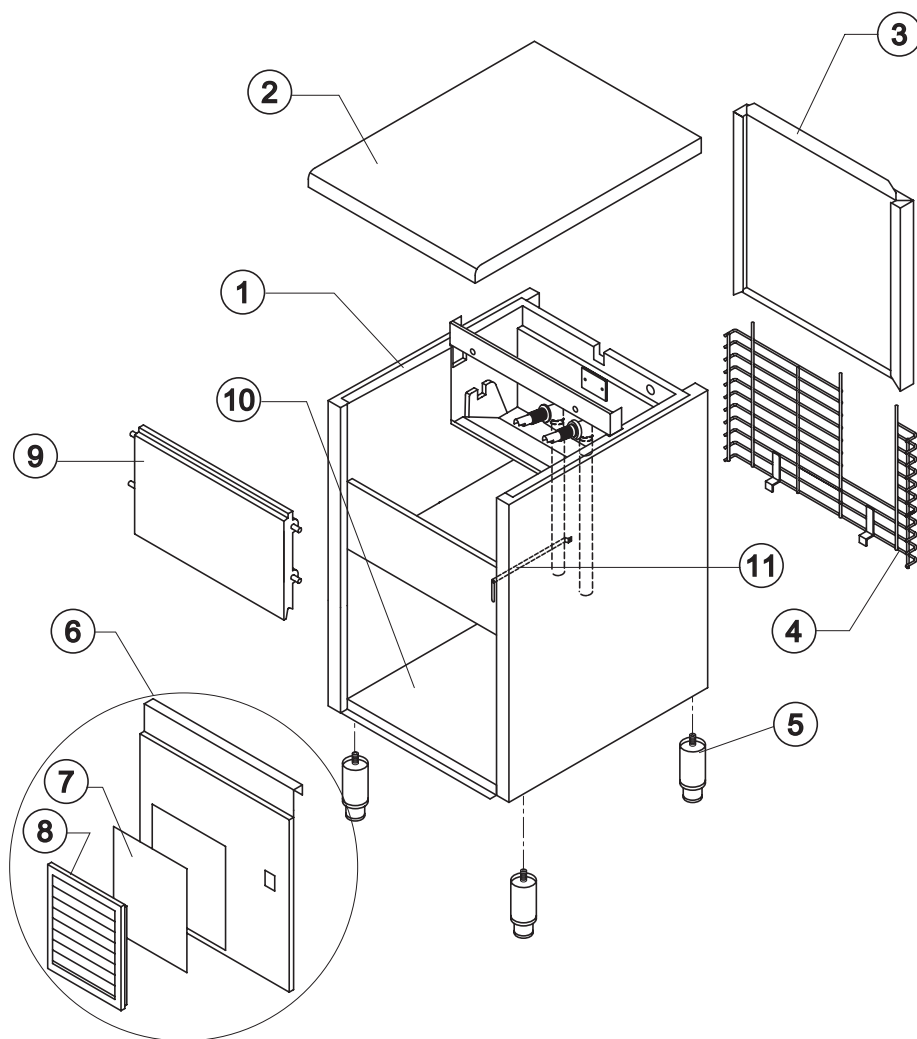
*ELECTRIC PARTS*

Rev. 13 - 16/01/2015



# CB 840

# SHELL ASSY



| Ref. | Spare Description               | Code             |       |
|------|---------------------------------|------------------|-------|
| 1    | Foamed Cabinet Assy             | See Table        |       |
| 2    | Top Assembly                    | C22673           |       |
| 3    | Rear Panel Assembly             | C21184           |       |
| 4    | Rear Grid                       | D12015           |       |
| 5    | Adjustable Stainless Steel Foot | 20613            |       |
| 6    | Front Grid Panel                | C22509           |       |
| 7*   | Filtering Panel                 | 18106            |       |
| 8    | Frame + Grid & Filter           | C10205           |       |
| 9    | Door Assy                       | C10275           |       |
| 10   | Base Plate                      | 21280            |       |
| 11   | Bulb-holder Pipe                | Current Version  | 20521 |
| 11   | Bulb-holder Pipe                | Till s/n. 258692 | 20520 |

### Ref. 1 - Foamed Cabinet Assy

| Condensation | Code    |
|--------------|---------|
| Air          | C11009A |
| Water        | C11009W |

Rev. 13 - 16/01/2015



# CB 840

# COOLING SYSTEM

### Common Parts

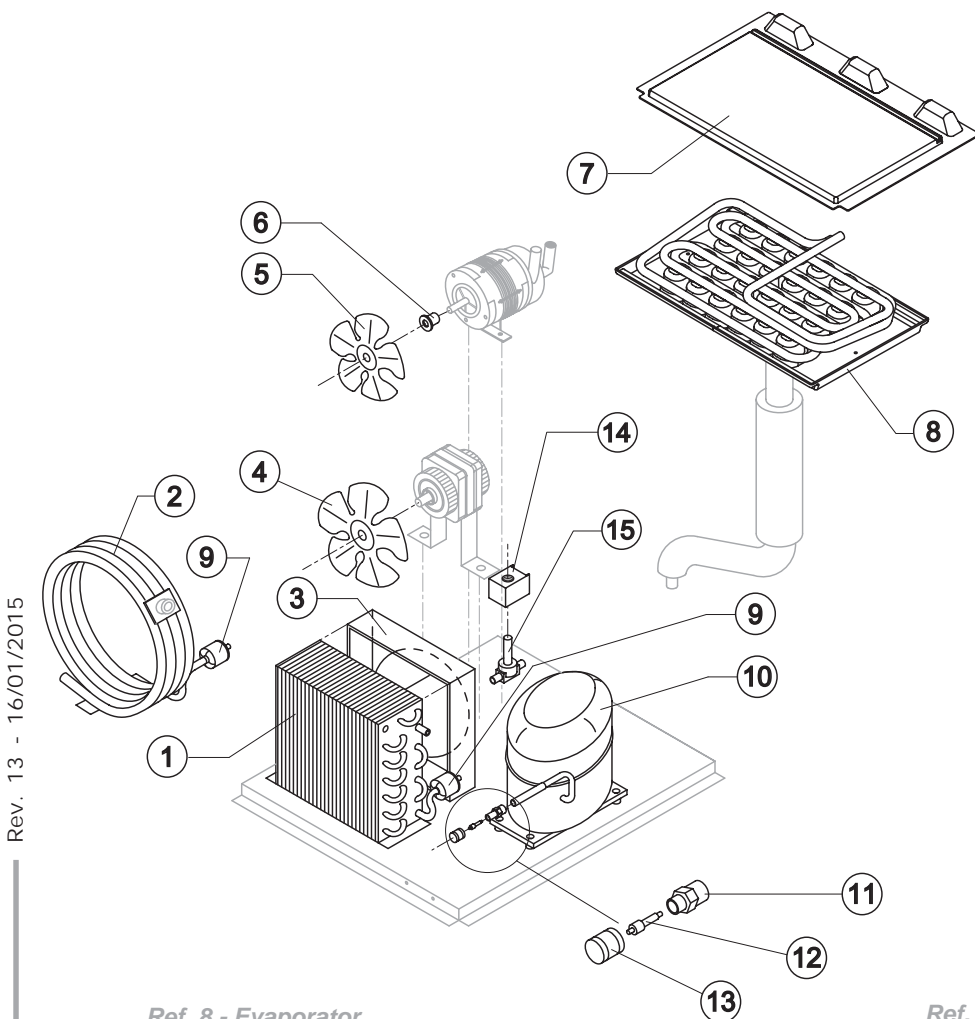
| Ref. | Spare Description          | Code                      |
|------|----------------------------|---------------------------|
| 5    | Sucking Fan                | 10213                     |
| 6    | Fan Fixing Hub             | 10014                     |
| 7    | Evaporator Cover Panel     | from s/n. 224659<br>10448 |
| 8    | Evaporator                 | See Table                 |
| 9*   | Solid Core Drier           | 14089                     |
| 10   | Compressor                 | See Table                 |
| 11   | Vacuum-Charge Valve Body   | 14007                     |
| 12*  | Vacuum-Charge Valve Device | 14005                     |
| 13*  | Vacuum-Charge Valve Plug   | 14006                     |
| 14*  | Hot Gas Valve Coil         | See Table                 |
| 15*  | Hot Gas Valve Body         | 20410                     |

### Parts for Air-Cooled Version Only

| Ref. | Spare Description      | Code  |
|------|------------------------|-------|
| 1    | Air Condenser          | 20264 |
| 3    | Air Condenser Conveyor | 10163 |
| 4    | Sucking Fan            | 20031 |

### Parts for Water-Cooled Version Only

| Ref. | Spare Description | Code                      |
|------|-------------------|---------------------------|
| 2    | Water Condenser   | 14034                     |
| 4    | Sucking Fan       | Till s/n. 221034<br>10213 |



### Ref. 8 - Evaporator

| Kind of Cube     | Code   |
|------------------|--------|
| 18 g. (Standard) | D10047 |
| 33 g.            | D10090 |
| 13 g.            | D10418 |
| 42 g.            | D10480 |

### Ref. 10 - Compressor

| Voltage | Code                   |
|---------|------------------------|
| T11     | 23875                  |
| T12     | 23504A                 |
| T13     | 231155 current version |
| T13     | 23552 Till s/n. 712343 |
| T19     | 23552 Till s/n. 605530 |

### Ref. 14\* - Hot Gas Valve Coil

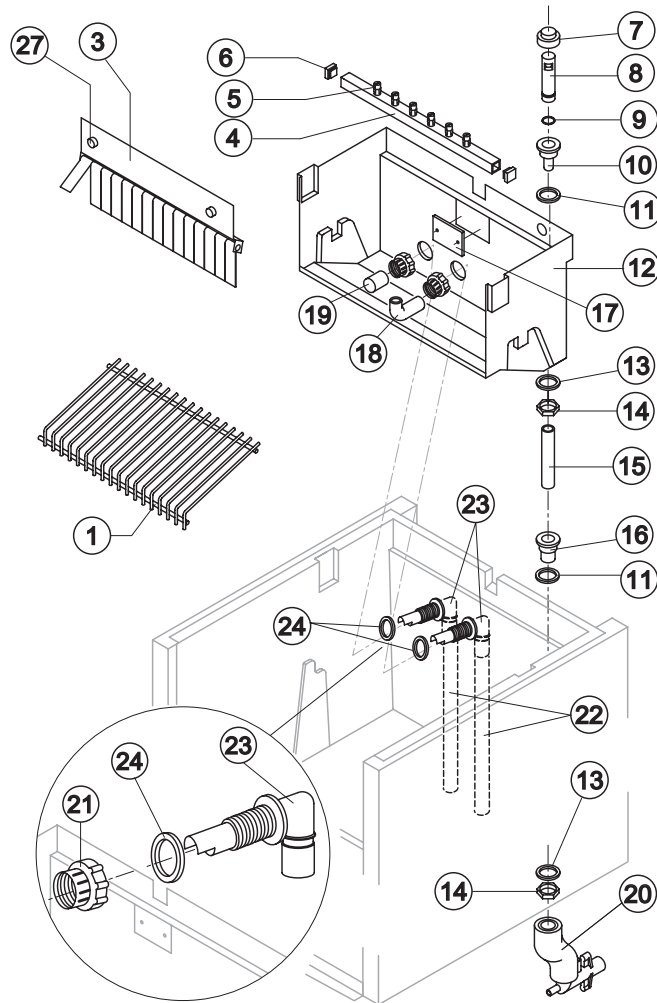
| Voltage | Code                   |
|---------|------------------------|
| T11     | 23091                  |
| T12     | 23091                  |
| T13     | 23256                  |
| T19     | 23256 Till s/n. 605530 |

Rev. 13 - 16/01/2015



# CB 840

# HYDRAULIC CIRCUIT



**Ref. 1 - Ice Cube Slide**

| Kind of Cube     | Code   |
|------------------|--------|
| 18 g. (Standard) | D12017 |
| 33 g.            | D12031 |
| 13 g.            | D12039 |
| 42 g.            | D12071 |

**Ref. 4\* - Sprayers Bar Ass.**

| Kind of Cube     | Code   |
|------------------|--------|
| 18 g. (Standard) | C20058 |
| 33 g.            | C20156 |
| 13 g.            | C20190 |
| 42 g.            | C20802 |

## Common Parts

| Ref. | Spare Description                          | Code                      |
|------|--|---------------------------|
| 1    | Ice Cubes Slide                            | See Table                 |
| 3    | Flags Support Assy                         | C22059                    |
| 4*   | Sprayers Bar Assembly                      | See Table                 |
| 5    | Sprayer                                    | D20002                    |
| 6    | Sprayers Bar Plug                          | 10012                     |
| 7*   | Overflow Cap                               | 10305                     |
| 8*   | Overflow Pipe                              | 10133                     |
| 9*   | OR Gasket for Overflow Pipe                | 20233                     |
| 10   | Overflow Pipe Nipple                       | 10471                     |
| 11   | Silicone Gasket                            | 13006                     |
| 12   | Inner Basin                                | 10034                     |
| 13   | Semirigid Polyethylene Gasket              | 13007                     |
| 14   | Bin Discharge Nut                          | 10096                     |
| 15*  | Overflow Pipe                              | 13109                     |
| 16   | Water Outlet Nipple                        | 10472                     |
| 17   | Slide Keep Plate                           | Till s/n. 227891<br>10009 |
| 18   | Sprayers Feeding Pipe                      | 13005                     |
| 19*  | Pump Suction Filter                        | 20005                     |
| 21   | Fittings Locking Ring                      | 10405                     |
| 22   | Pump Suction/Delivery Pipe                 | 13140                     |
| 23   | Fitting of the Pump Suction/Delivery Pipes | 10404                     |
| 24   | Gasket for Pump Suction/Delivery Pipes     | 13143                     |
| 27   | Fixing Screw                               | 20009                     |

## Parts for Air Cooled Version Only

| Ref. | Spare Description   | Code   |
|------|---------------------|--------|
| 20   | Discharges Manifold | C10006 |

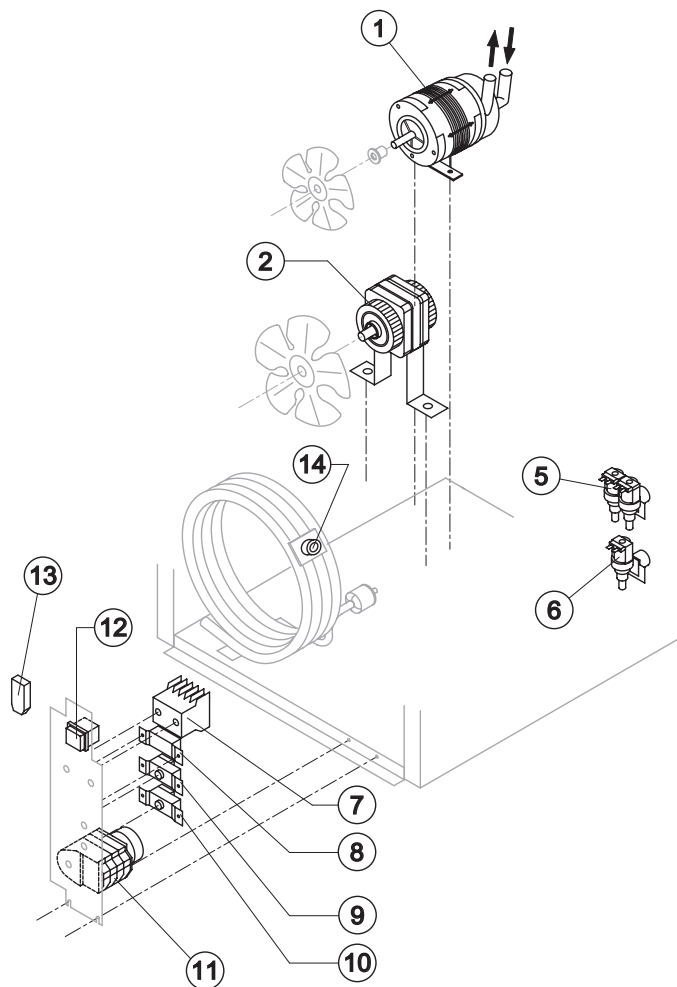
## Parts for Water Cooled Version Only

| Ref. | Spare Description   | Code   |
|------|---------------------|--------|
| 20   | Discharges Manifold | C26452 |



# CB 840

# ELECTRIC PARTS



### Common Parts

| Ref. | Spare Description           | Code                 |
|------|-----------------------------|----------------------|
| 1*   | Pump Assy                   | See Table -          |
| 2*   | Fan Motor                   | See Table -          |
| 7    | Contactor                   | Only T13 e T19 23595 |
| 8*   | Condenser Pressure Switch   | See Table -          |
| 9*   | Bin Thermostat              | R23005               |
| 10*  | Evaporator Thermostat       | R23591               |
| 11*  | Timer                       | See Table -          |
| 12*  | Green Light Switch (On-Off) | 23327                |

### Parts for Air-Cooled Version Only

| Ref. | Spare Description              | Code            |
|------|--------------------------------|-----------------|
| 6*   | 1 Way- Water Inlet Valve       | See Table -     |
| 13   | Anti Radio Interference Filter | Only T11 C23459 |

### Parts for Water-Cooled Version Only

| Ref. | Spare Description              | Code            |
|------|--------------------------------|-----------------|
| 5*   | 2 Ways- Water Inlet Valve      | See Table -     |
| 13   | Anti Radio Interference Filter | Only T11 C23457 |
| 14*  | Safety Thermostat              | C23114          |

### Ref. 1\* - Pump Assy

| Voltage | Code                    |
|---------|-------------------------|
| T11     | C23377                  |
| T12     | C23377                  |
| T13     | C23663                  |
| T19     | C23663 Till s/n. 605530 |

### Ref. 2\* - Fan motor

| Tension | Air                    | Water<br>Till s/n. 221034 |
|---------|------------------------|---------------------------|
| T11     | 23067                  | 23029                     |
| T12     | 23681                  | 23029                     |
| T13     | 23621                  | 23683                     |
| T19     | 23621 Till s/n. 605530 | -                         |

### Ref. 5\* - 2 Ways- Water inlet

| Voltage          | Cube 18g/13g | Cube 33g | Cube 42g |
|------------------|--------------|----------|----------|
| T11              | 23010        | 23010    | 23781    |
| T12              | 23010        | 23781    | 23781    |
| T13              | 23261        | 23758    | 23758    |
| T19              | 23261        | 23758    | 23758    |
| Till s/n. 605530 |              |          |          |

### Ref. 6\* - 1 Way - Water Inlet

| Voltage          | Cube 18g/13g | Cube 33g | Cube 42g |
|------------------|--------------|----------|----------|
| T11              | 23001        | 23001    | 23220    |
| T12              | 23001        | 23220    | 23220    |
| T13              | 23260        | 23281    | 23281    |
| T19              | 23260        | 23281    | 23281    |
| Till s/n. 605530 |              |          |          |

### Ref. 8\* - Cond. Pressure

| Voltage          | Code  |
|------------------|-------|
| T11              | 23175 |
| T12              | 23175 |
| T13              | 23175 |
| T19              | 23680 |
| Till s/n. 605530 |       |

### Ref. 11\* - Timer

| Voltage          | 18g Cube | 33g Cube | 13g Cube | 42g Cube |
|------------------|----------|----------|----------|----------|
| T11              | 23222    | 23248    | 23247    | 23780    |
| T12              | 231078   | 231080   | 231077   | 231080   |
| T13              | 23259    | 23786    | 23258    | 23786    |
| T19              | 23259    | 23786    | 23258    | 23786    |
| Till s/n. 605530 |          |          |          |          |

Rev. 13 - 16/01/2015