



**C 80**

# LIST OF THE EXPLODED VIEWS



*SHELL ASSY*

*COOLING SYSTEM*

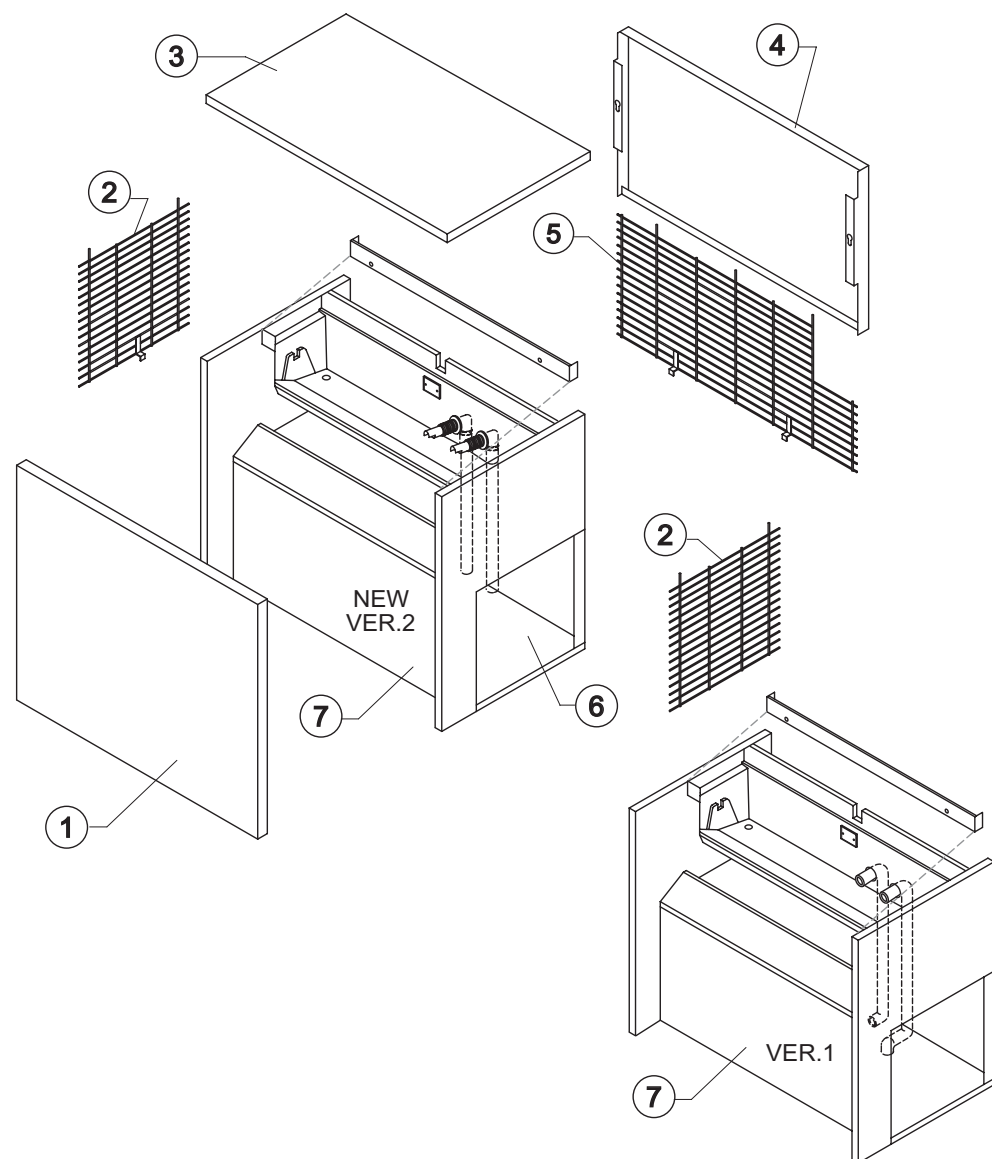
*HYDRAULIC CIRCUIT*

*ELECTRIC PARTS*



# C 80

## SHELL ASSY



Rev. 6 - 29/05/06

Ref.	Spare Description	Code	
1	Front Panel Assembly	C22067B	
2	Side Grid	D12010	
3	Top Assembly	C22066	
4	Rear Panel	22027	
5	Rear Grid	Current Version	D12069
5	Rear Grid	Till s/n. 132695	D12009
6	Base Plate		21022
7	Foamed Cabinet Assy	See Table	-

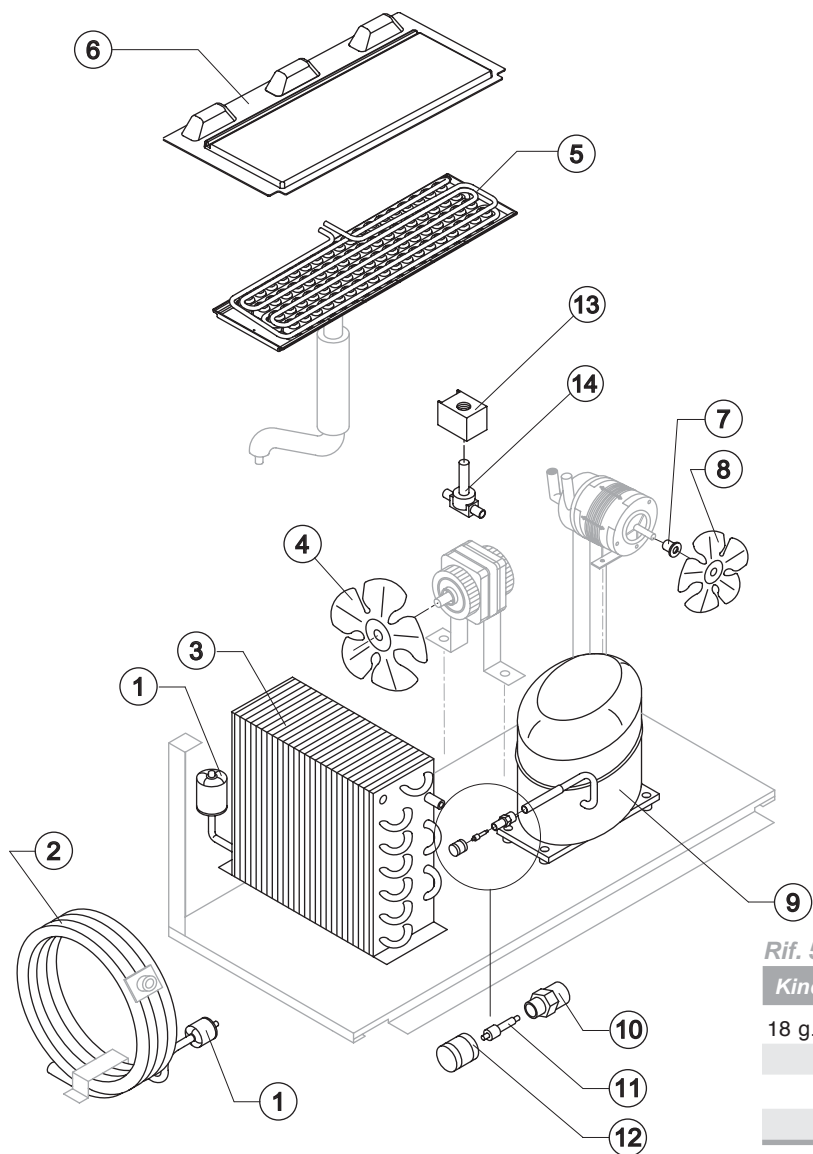
### Ref. 7 - Foamed Cabinet Assy

Code	Condensation	Note
C11005A	Air	Version 2
C11005W	Water	Version 2
C11005		Version 1



# C 80

# COOLING SYSTEM



### Common Parts

Ref.	Spare Description	Code
1	Solid Core Drier	14089
5	Evaporator	See Table
6	Evaporator Cover Panel	Current Version 10453
6	Evaporator Cover Panel	Till s/n. 249637 10032
7	Fan Fixing Hub	10014
8	Sucking Fan	10213
9	Compressor	See Table
10	Vacuum-Charge Valve Body	14007
11	Vacuum-Charge Valve Device	14005
12	Vacuum-Charge Valve Plug	14006
13	Hot Gas Valve Coil	See Table
14	Hot Gas Valve Body	20410

### Parts for Air-Cooled Version Only

Ref.	Spare Description	Code
3	Air Condenser	20030
4	Sucking Fan	20031

### Parts for Water-Cooled Version Only

Ref.	Spare Description	Code
2	Water Condenser	14034
4	Sucking Fan	Till s/n. 221219 10213

### Rif. 5 - Evaporator

Kind of Cube	Code
18 g. (Standard)	D10048
33 g.	D10091
13 g.	D10419
42 g.	D10467

### Ref. 9 - Compressor

Tension	Note	Code
220/240V 50 Hz	Current Version	23503
220/240V 50 Hz	Till s/n. 55025	23444
220/230V 60 Hz	Current Version	23504
220/230V 60 Hz	Till s/n. 55025	23465
110/115V 60 Hz	Current Version	23553
110/115V 60 Hz	Till s/n. 55025	23554

### Ref. 13 - Hot Gas Valve Coil

Tension	Code
220/240V 50 Hz	23091
220/230V 60 Hz	23091
110/115V 60 Hz	23256

Rev. 6 - 29/05/06



# C 80

# HYDRAULIC CIRCUIT

### Common Parts

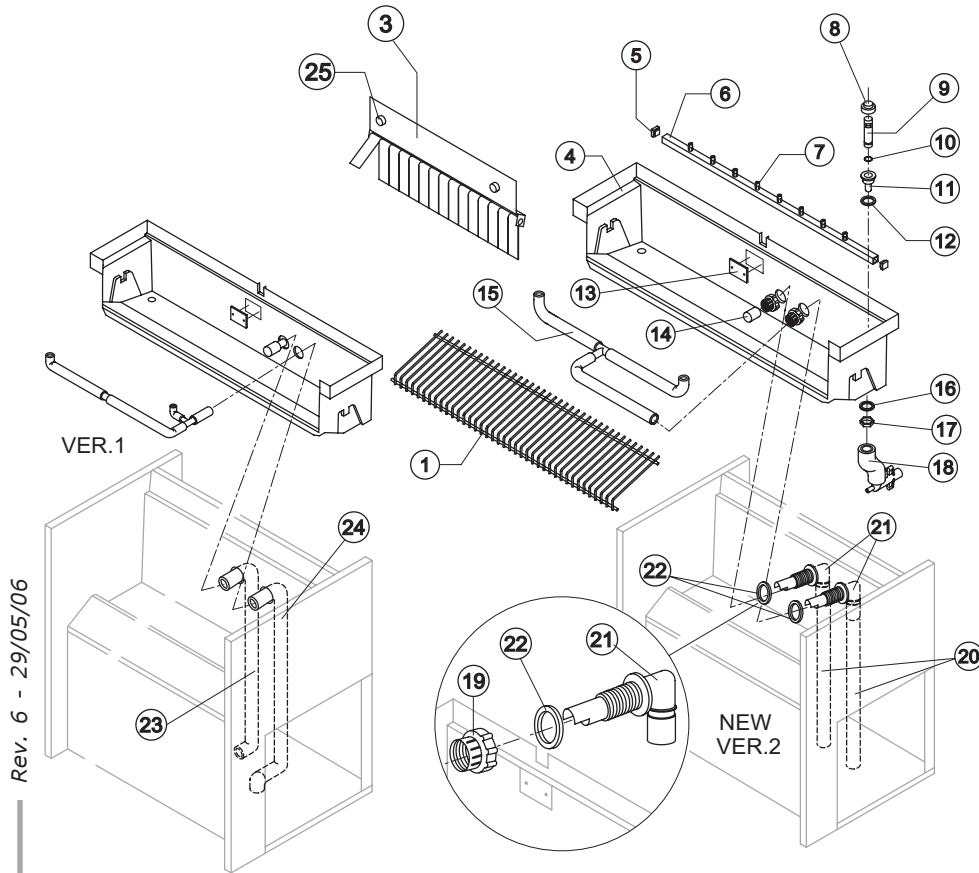
Ref.	Spare Description	Code	
1	Ices Cube Slide	See Table	
3	Flags Support Assy	C22060	
4	Inner Basin	10028	
5	Sprayers Bag Plug	10012	
6	Sprayers Bar Assembly	See Table	
7	Sprayer	D20002	
8	Overflow Cap	10305	
9	Overflow Pipe	10133	
10	OR Gasket for Overflow Pipe	20233	
11	Water Outlet Nipple	10472	
12	Silicone Gasket	13006	
13	Slide Keep Plate	10009	
14	Pump Suction Filter	20005	
15	Sprayers Feeding Pipe Assy	C13101	
16	Semirigid Polyethylene Gasket	13007	
17	Bin Discharge Nut	10096	
19	Fittings Locking Ring	Version 2	10405
20	Pump Suction/Delivery Pipe	Version 2	13136
21	Fitting of the Pump Suction/Delivery Pipes	Version 2	10404
22	Gasket for Pump Suction/Delivery Pipes	Version 2	13143
23	Pump Suction Pipe	Version 1	13003
24	Pump Delivery Pipe	Version 1	13002
25	Fixing Screw	20009	

### Parts for Air Cooled Version Only

Ref.	Spare Description	Code
18	Discharges Manifold	C10006

### Parts for Water Cooled Version Only

Ref.	Spare Description	Code
18	Discharges Manifold	C26452



Rev. 6 - 29/05/06

### R6f. 1 - Ice Cube Slide

Kind of Cube	Code
18 g. (Standard)	D12011
33 g.	D12032
13 g.	D12041
42 g.	D12032

### Ref. 6 - Sprayers Bar Ass.

Kind of Cube	Code
18 g. (Standard)	C20459
33 g.	C20460
13 g.	C20461
42 g.	C20460



# C80

## ELECTRIC PARTS

### Common Parts

Ref.	Spare Description	Code
2	Fan Motor	See Table
3	1 Way- Water Inlet Valve	See Table
7	Pump	See Table
9	Contactor	Only 110V 60 Hz 23595
10	Condenser Pressure Switch	23175
11	Bin Thermostat	R23421
12	Evaporator Thermostat	R23591
13	Timer	See Table

### Parts for Air-Cooled Version Only

Ref.	Spare Description	Code
8	Anti Radio Interference Filter	Only 220V 50 Hz C23459

### Parts for Water-Cooled Version Only

Ref.	Spare Description	Code
1	Safety Thermostat	C23114
4	2 Ways- Water Inlet Valve (Till s/n. 132695)	See Table
8	Anti Radio Interference Filter	Only 220V 50 Hz C23457

### Ref. 2 - Fan Motor

Tension	Air	Water Till s/n. 221219
220/240V 50 Hz	23067	23029
220/230V 60 Hz	23681	23029
110/115V 60 Hz	23621	23683

### Ref. 3 - 1 Way- Water Inlet Valve

Tension	18g/13g Cube	33g Cube	42g Cube
220/240V 50 Hz	23001	23001	23220
220/230V 60 Hz	23001	23220	23220
110/115V 60 Hz	23260	23631	23631

### Ref. 4 - 2 Ways- Water Inlet Valve

Tension	Code
220/240V 50 Hz	23010
220/230V 60 Hz	23010
110/115V 60 Hz	23261

### Ref. 7 - Pump

Tension	Version 1	Version 2
220/240V 50 Hz	23002	23377
220/230V 60 Hz	23002	23377
110/115V 60 Hz	23264	23663

### Ref. 13 - Timer

Tension	18 g Cube	33 g Cube	13 g Cube	42 g Cube
220/240V 50 Hz	23222	23248	23247	23780
220/230V 60 Hz	23248	23780	23247	23780
110/115V 60 Hz	23259	23786	23258	23786

Rev. 6 - 29/05/06

