

PARTS LIST

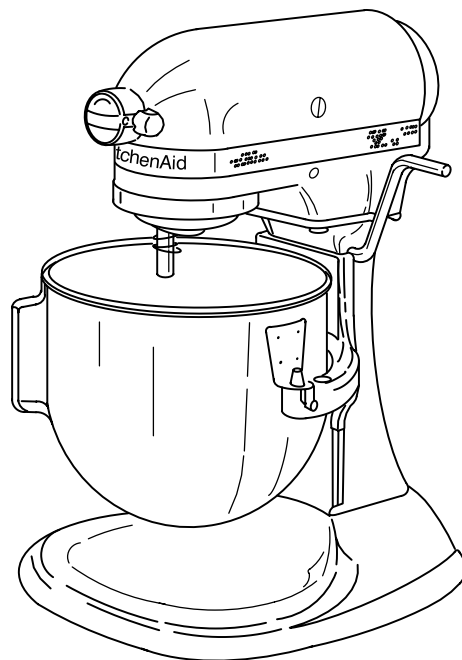
for

KitchenAid®

INTERNATIONAL PART NUMBERS ITALICIZED

**MIXER
VARIATIONS
OF**

**K5SS, KSM5, KP50P, KPM5,
KSM50P, KSMC50S, AND KPM50
SOLID STATE**



COLOR VARIATION PARTS

For Models: K5SS, KSM5, KP50P, KPM5, KSM50P, KSMC50S, AND KPM50

MOTOR HOUSING

- 4162086 White
- 4169509 Cobalt Blue
- 4176086 Imperial Gray
- 4176185 Almond Creme
- 4173581 Gloss Black
- 4176132 Empire Green
- 4176315 Empire Red
- 4176316 Majestic Yellow
- 9704025 Metallic Chrome
- 240291-15 Royal Crimson
- 4176176 *KPM50 Model*

Domestic and *International*

END COVER

- 4162055 White
- 4169506 Cobalt Blue
- 4176087 Imperial Gray
- 4176190 Almond Creme
- 4173583 Gloss Black
- 4176134 Empire Green
- 4176318 Empire Red
- 4176319 Majestic Yellow
- 4176339 Metallic Chrome
- 4176224 Royal Crimson
- 3179869 *KPM50 Model*

TRIM BAND

- 9702637 K5SSWH Model
- 9704880 KSMC50S Model
- 9706869 KSM50P Model
- 9701262 White on White
- 9707107 Professional Model
- 9706975 *5KPM5 Model*
- 9706977 *5KPM50 Model*
- 9705172 (*International*)
- 9705184 (*Japan*)

LOWER GEARCASE

- 4162129 White
- 9701508 *White*
(*International*)
- 4176000 Cobalt Blue
- 4176088 Imperial Gray
- 4176186 Almond Creme
- 4173582 Gloss Black
- 4176173 Empire Green
- 4176177 Professional Mdl.
- 9704500 Empire Red
- 9704502 Majestic Yellow
- 9704027 Metallic Chrome
- 240354-48 Royal Crimson
- 4162128 KSMC50S Model
- 9701512 *KPM50 Model*

PLANETARY

- 4162075 White
- 4169508 Cobalt Blue
- 4176089 Imperial Gray
- 4176187 Almond Creme
- 4173584 Gloss Black
- 4176133 Empire Green
- 4176321 Empire Red
- 4176322 Majestic Yellow
- 4176338 Metallic Chrome
- 4176226 Royal Crimson

COLUMN

- 240148-4 White
- 9701109 *White*
(*International*)
- 4169504 Cobalt Blue
- 4176149 Imperial Gray
- 240148-17 Almond Creme
- 4173585 Gloss Black
- 4176141 Empire Green
- 9702393 Empire Red
- 9702394 Majestic Yellow
- 9702392 Metallic Chrome
- 240148-16 Royal Crimson
- 240148-14 KSMC50S Model

BOWL SUPPORT

- 4162015 White
- 4169505 Cobalt Blue
- 4176092 Imperial Gray
- 4176188 Almond Creme
- 240160-11 Gloss Black
- 4176140 Empire Green
- 9702423 Empire Red
- 9702424 Majestic Yellow
- 9702422 Metallic Chrome
- 4176222 Royal Crimson

BASE & FOOT ASSEMBLY

- 4162202 White
- 4169511 Cobalt Blue
- 4176090 Imperial Gray
- 4176189 Almond Creme
- 240493-13 Gloss Black
- 4176142 Empire Green
- 3179299 Empire Red
- 9704505 Majestic Yellow
- 3179298 Metallic Chrome
- 4176223 Royal Crimson
- 9705145 KSMC50S Model
- 9701516 *KPM5 Model*

Any color not listed is no longer available. If additional colors are added, this page will be updated.

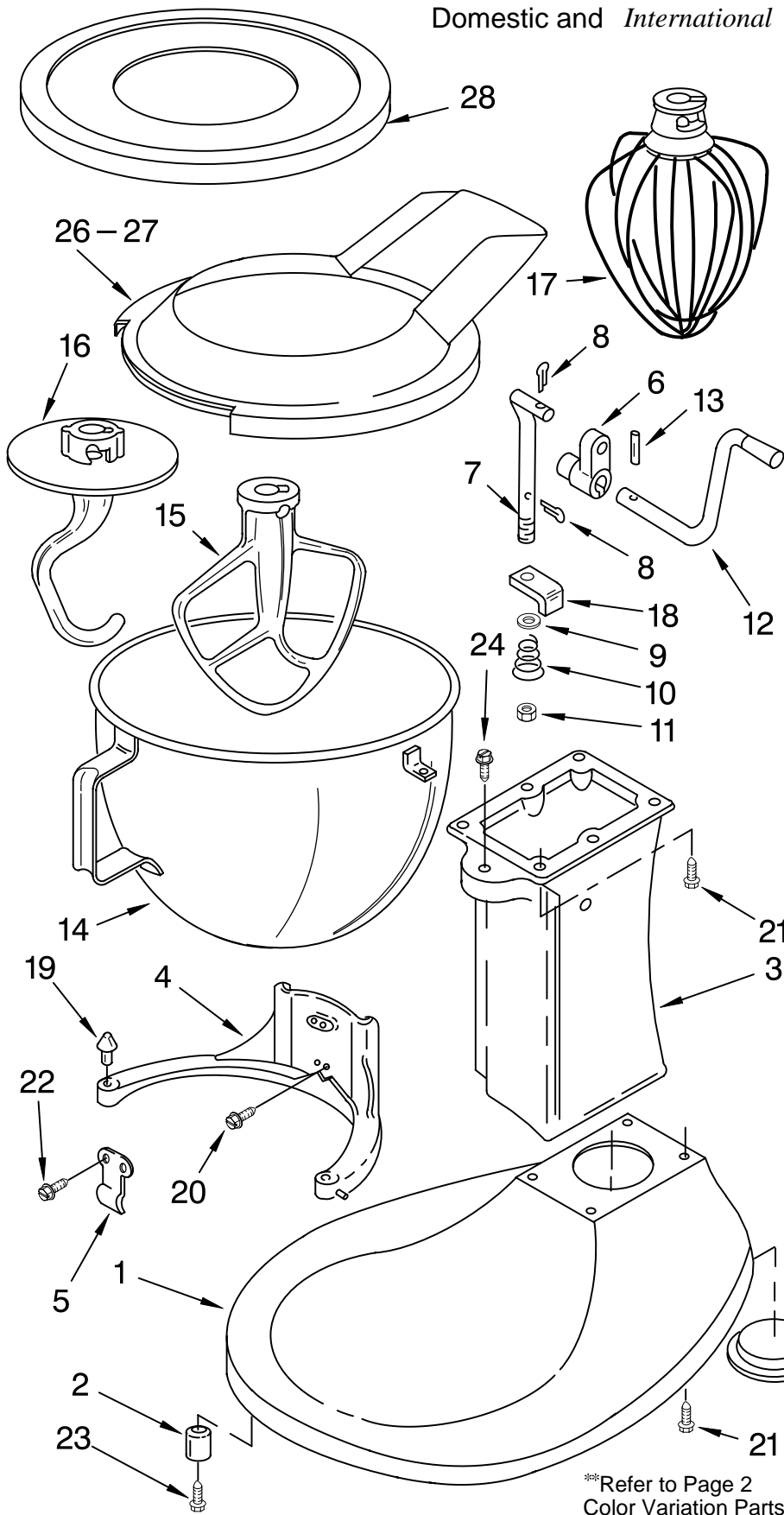
Availability of all colors subject to change.

FOR ORDERING INFORMATION REFER TO PARTS PRICE LIST

BASE AND PEDESTAL UNIT

For Models: K5SS, KSM5, KP50P, KPM5, KSM50P, KSMC50S, AND KPM50

Domestic and *International*



| Illus. No. | Part No. | DESCRIPTION |
|------------|----------|---|
| 1 | ** | Base & Foot Supports |
| 2 | 9703414 | Foot, Rubber (4) |
| 3 | ** | Column Assembly |
| 4 | ** | Bowl Support |
| 5 | 3182857 | Latch, Bowl Spring |
| 6 | 4162874 | Arm, Bowl Lift |
| 7 | 4159620 | Rod, Bowl Lift |
| 8 | 9704608 | Cotter Pin 5/64 X 1/2 (2) |
| 9 | 4159514 | Washer |
| 10 | 4159622 | Spring |
| 11 | 4159092 | Nut, 1/4-28 |
| 12 | 4159615 | Handle, Bowl Lift |
| 13 | 9703442 | Roll Pin |
| 14 | 4162116 | Bowl (5 Qt) |
| | 4176043 | KSMC50S Model |
| | 4176144 | Professional Mdl. (2 Bowls) |
| 15 | 9707670 | Beater, Flat |
| | 4176045 | KSMC50S Model |
| | 4176182 | Professional Mdl. |
| 16 | 9707672 | Dough Hook |
| | 3183236 | KSMC50S Model |
| | 3183233 | KSM50P Model |
| | 9708033 | <i>International</i> Model |
| 17 | 9704309 | Wire Whip |
| | 4176306 | <i>International</i> Model |
| 18 | 4162022 | Bracket, Bowl Lift |
| 19 | 4162028 | Pin, Bowl Locating |
| 20 | 3400018 | Screw, 10-24 X 1/2 |
| 21 | 4162403 | Screw, Special 5/16-18 X 3/4 Pan Head (4) |
| 22 | 3400024 | Screw, 10-24 X 1/4 Machine Round Head |
| 23 | 4159349 | Screw, #8 X 3/8 Phil. Rd. Hd. Type B |
| 24 | 3182904 | Screw, Dbl. Ended |
| 25 | 4176184 | Plug |
| 26 | 4176453 | Pouring Shield One-Piece (<i>International</i>) |
| | 3177975 | KPM5 Model |
| 27 | 9706633 | Pouring Shield |
| 28 | 3177925 | Cover, Bowl(2) Professional Mdl. |

LITERATURE PARTS

- LIT4176922 Repair Parts List
- LIT9706634 Use & Care Guide
- LIT9705170 Use & Care Guide
(*International*)
- LIT9706978 KPM50 & 5K5SS

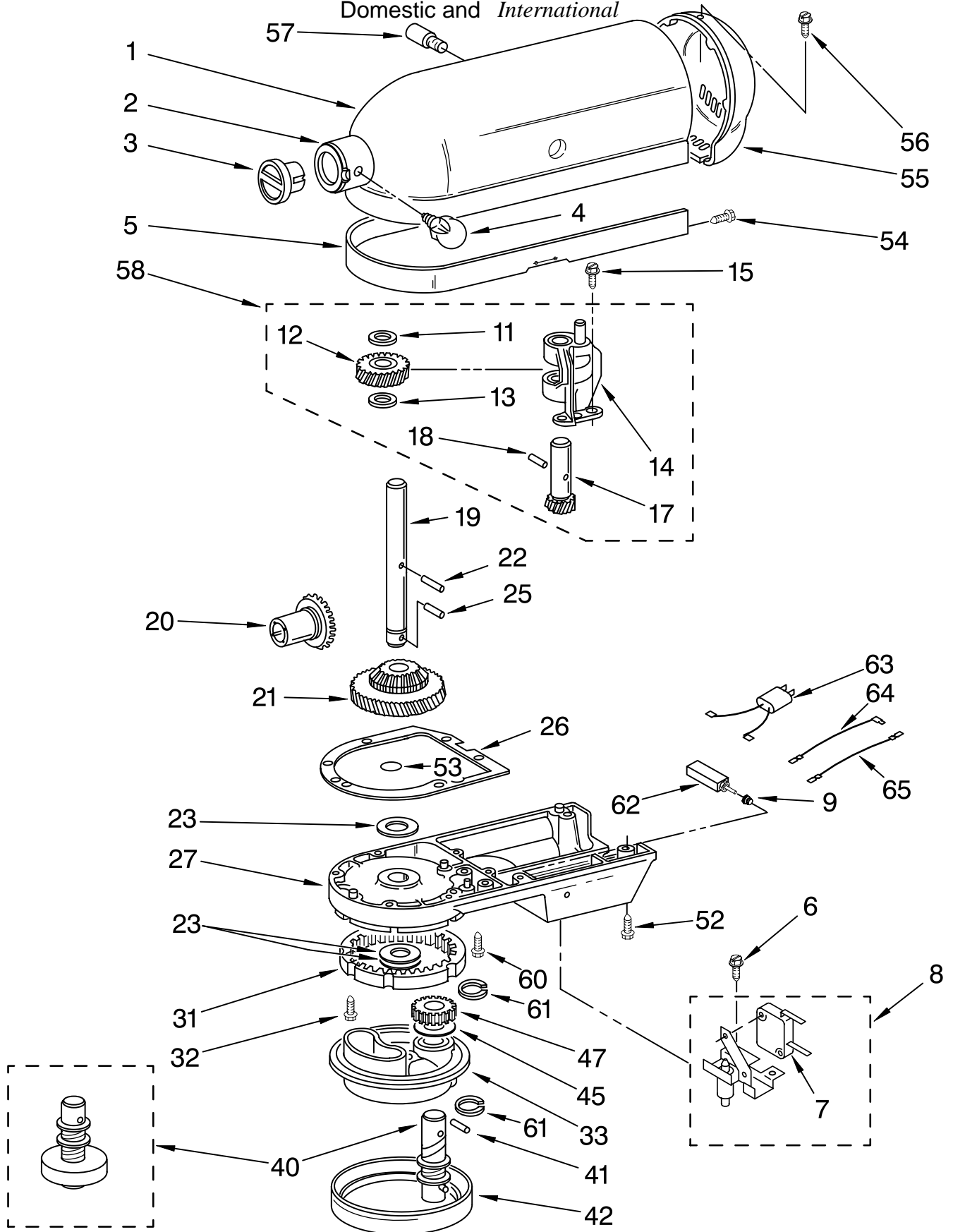
**Refer to Page 2
Color Variation Parts

FOR ORDERING INFORMATION REFER TO PARTS PRICE LIST

CASE, GEARING AND PLANETARY UNIT

For Models: K5SS, KSM5, KP50P, KPM5, KSM50P, KSMC50S, AND KPM50

Domestic and *International*



FOR ORDERING INFORMATION REFER TO PARTS PRICE LIST

CASE, GEARING AND PLANETARY UNIT

For Models:K5SS, KSM5, KP50P, KPM5, KSM50P, KSMC50S, AND KPM50

Domestic and *International*

| Illus. No. | Part No. | DESCRIPTION | Illus. No. | Part No. | DESCRIPTION | Illus. No. | Part No. | DESCRIPTION |
|------------|----------|--|------------|----------|--|------------|----------|--|
| 1 | ** | Gearcase Motor Housing | 18 | 9705444 | Pin | 52 | 3400025 | Screw 10-24 X 1 Fil. Head (2) |
| 2 | 4159709 | Ring, Attachment Hub | 19 | 4161956 | Shaft, Vertical Center | 53 | 4159817 | "O" Ring |
| 3 | | Cap, Attachemnt Hub | 20 | 9703907 | Gear, Attachment Hub Bevel (23T) | 54 | 4159430 | Screw, Self Tapping 6-32 X 1/4" Phil. Pan Hd. Type F |
| | 4159713 | Chrome | 21 | 9703905 | Bevel Pinion (19T) & Center Gear (62T) | 55 | ** | Cover, End |
| | 4176209 | White | 22 | 4161950 | Pin (Vertical Center Shaft) | 56 | 4162914 | Screw, 6-32 X 3/8 Phil. Oval Hd. |
| 4 | | Thumb Screw | 23 | 3180163 | Washer, Fiber | 57 | 4176183 | <i>Pin-Guard (International)</i> |
| | 4162142 | Black | 25 | 9705443 | Pin | 58 | 4162101 | Worm Gear Bracket And Gear (10 T & 23 T) (Incls. Illus 11 thru 14 17 & 18) |
| | 4176211 | White (Storm Gray) | 26 | 4162324 | Gasket, Transmission Case | 60 | 3400026 | Machine Screw 10-24 X 1 3/4 Fil. Hd. (2) |
| 5 | ** | Band, Trim | 27 | ** | Lower Gear Case | 61 | 9703438 | Ring, Retaining |
| 6 | 246132 | <i>Screw (International)</i> | 31 | 9703904 | Gear, Internal (59T) | 62 | 4176099 | <i>Circuit Breaker, (5KPM50 Model)</i> |
| 7 | 9701129 | <i>Microswitch (International)</i> | 32 | 4160595 | Screw, Special (5) | 63 | 9705132 | <i>RF Filter 110/230 V (International)</i> |
| 8 | 9701014 | <i>Bowl Actuator Assembly (International)</i> | 33 | ** | Planetary | 64 | 9701105 | <i>Jumper Wire Breaker to Board (International)</i> |
| 9 | 9701663 | <i>Seal, Reset Button</i> | 34 | 4176067 | Agitator Shaft (Incls Illus. 61) | 65 | 9702311 | <i>Lead, Circuit (2) (International)</i> |
| 11 | 3180161 | Washer, Fiber | 35 | 4176082 | KSMC50S Model 3184052 <i>Agitator Shaft (Includes Cup) (International)</i> | | 9702309 | <i>KPM50 Model</i> |
| 12 | 4162897 | Worm Gear (23T) | 40 | 4161950 | Pin (Agitator Shaft Pinion) | | | |
| 13 | 3180161 | Washer, Fiber (.031" Thick) | 41 | 4161950 | Pin (Agitator Shaft Pinion) | | | |
| 14 | 4162099 | Worm Gear Bracket And Bearing | 42 | 4162074 | Ring, Planetary Drip | | | |
| 15 | 3400022 | Screw And L.W. Assy. #10-24 X 7/16" Phil. Fil. Hd. (3) | 45 | 3180160 | Washer, Shim | | | |
| 17 | 4162037 | Shaft & Pinion (10T) | 47 | 9703903 | Pinion, Gear (18T) (Agitator Shaft) <i>(International)</i> | | | |

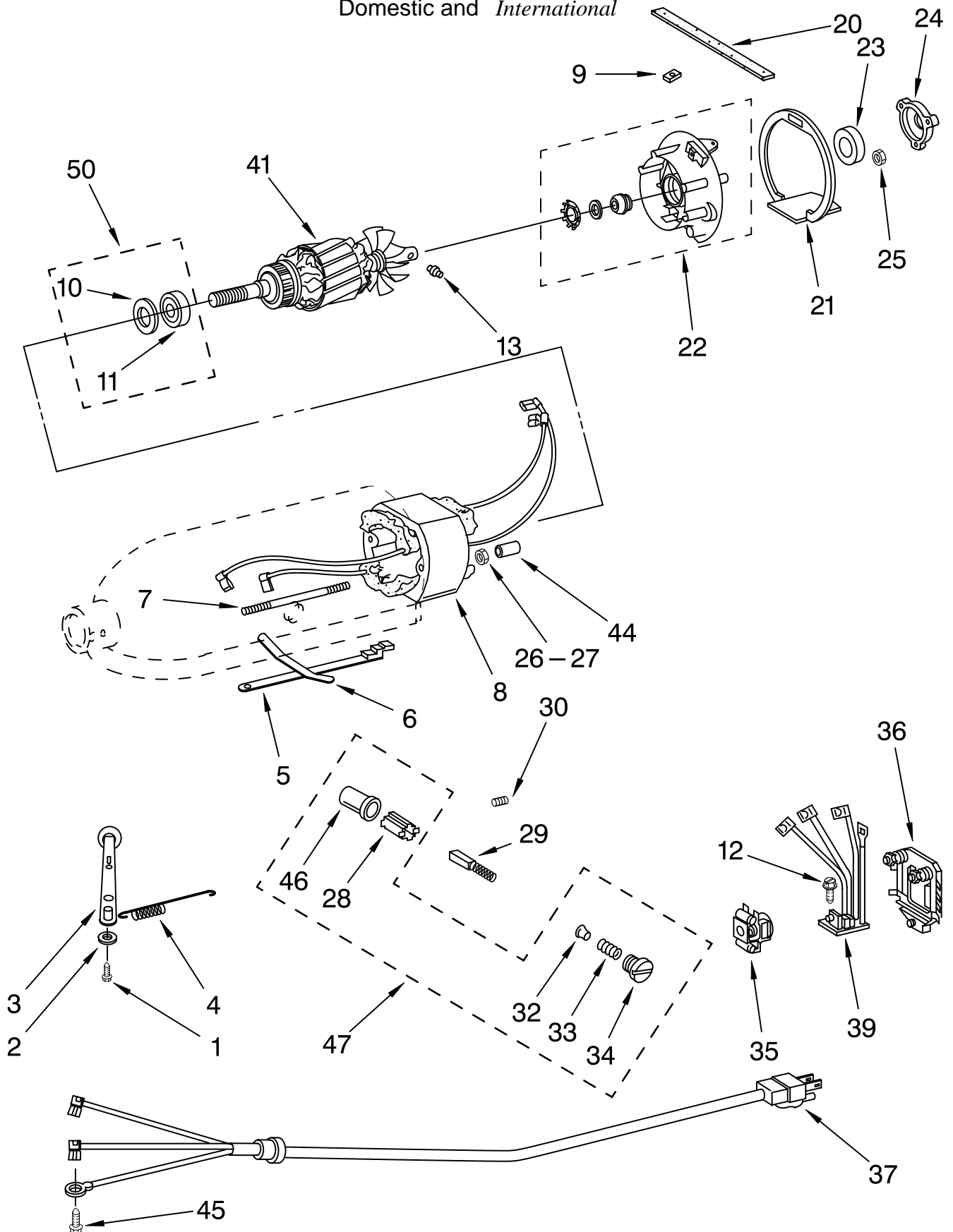
**Refer to Page 2
Color Variation Parts

FOR ORDERING INFORMATION REFER TO PARTS PRICE LIST

MOTOR AND CONTROL PARTS

For Models: K5SS, KSM5, KP50P, KPM5, KSM50P, KSMC50S, AND KPM50

Domestic and *International*



FOR ORDERING INFORMATION REFER TO PARTS PRICE LIST

MOTOR AND CONTROL PARTS

For Models:K5SS, KSM5, KP50P, KPM5, KSM50P, KSMC50S, AND KPM50

Domestic and *International*

| Illus. No. | Part No. | DESCRIPTION | Illus. No. | Part No. | DESCRIPTION | Illus. No. | Part No. | DESCRIPTION |
|------------|----------|--|------------|----------|--|---|----------|---|
| 1 | 4160965 | Screw, Pivot | 30 | 4159262 | Set Screw, 10-24 X 1/4" | Following Parts Not Illustrated | | |
| 2 | 4161697 | Washer, Spring | | | Hdls. Cup Pt | OPTIONAL ATTACHMENTS, ACCESSORIES AND SERVICE ITEMS | | |
| 3 | | Switch Lever And Stud | 32 | 4161745 | Cap, Spring Seat | 4164778 | | Mixer Attachment Pak (Includes Food Grinder (FG-A), Food Strainer (FVSP), And Vegetable Slicer, (RVS-A) (FPP-A) |
| | 3184193 | Black | 33 | 4161746 | Spring, Cap | | | |
| | 3184194 | White (Storm Gray) | 34 | | Cap, Brush Holder | | | |
| 4 | 3183680 | Spring, Control Plate | | 3184212 | Black | | | |
| | | | | 3184211 | White | | | |
| 5 | 3184176 | Speed Link & Cam | 35 | 4159675 | Governor Assembly | | | |
| 6 | 4162035 | Spring, Flat | 36 | 4162402 | Control Plate Assembly | | | |
| 7 | 4162344 | Screw, Stator | 37 | | Cord & Plug 110 Volt | | | |
| 8 | 9702695 | Field Assembly (115 Volts) Must Use With Item 41) | | 9701025 | White | 4164749 | | Food Grinder (FG-A) |
| | 294046 | (KSMC50S Model) | | 9701044 | KSMC50S Model | | | |
| | 9701670 | Field Assembly (220 Volts) (Must use with Item 41) | | 9702318 | White (International) | 4164751 | | Grain Mill (GM-A) |
| | | | | 9702314 | KPM5 Model | 4164768 | | Pasta Maker And Food Grinder (Includes SNP Pasta Maker Plates) (SN/FG-A) |
| | 4176215 | 100 Volt (Japan Only) | | 9703280 | KPM50 Model | | | |
| 9 | 9701584 | Seal, Screw (KPM5 & KPM50 Models Only) | | 9701026 | Black | | | |
| | | | | 9702319 | Cord & Plug (220 Volts) | | | |
| 10 | 9704324 | Washer, Ball Bearing (Front) | | 3180059 | 2-Wire Cord (International) | 4164775 | | Fruit/Vegetable Strainer Parts (Use With FG-A Model Only) (FVSP) |
| 11 | 4159001 | Ball Bearing SKF-6200ZJ | 39 | 9706595 | Phase Control Board (115 Volt) | | | |
| 12 | 3400402 | Screw, Self Tapping 4-40 X 5/16" Phil. Pan Hd. Type TT | | 9706596 | Phase Control Board (220 Volts) | 4164750 | | Rotor Slicer/Shredder (With 4 Standard Cones) Fine Shredder, Coarse Shredder, Thick Slicer, And Thin Slicer (RVS-A) |
| 13 | 4159662 | Stud, Governor Drive | 41 | 4162959 | Armature & Bearing (115 V.) Incls. Illus 11) (Must use with Illus. 8) | | | |
| 20 | 9701104 | Seal (International) | | 241991-4 | Armature & Bearing (220 Volts) Incls. Illus. 11 (Must Use With Illus. 8) | 3177975 | | Pouring Shield (KPS2CL) |
| | 9701584 | KPM5 & KPM50 | | 4176214 | Armature (100 Volts) (Japan Only) | 9701671 | | Pouring Shield (International) |
| 21 | 4162351 | Seal, End 3184356 International | | 44 | 4162634 | Sleeve, Motor Stud | | |
| 22 | 3180526 | Bracket, Bearing Assembly | | 45 | 3184609 | Screw, Self Tapping (10-24 X 1/2") Phil. | 4164824 | Pasta Maker Plates (SNP-A) |
| 23 | 3180238 | Washer, Felt | | 46 | 3179908 | Housing, Brush Holder | 4164774 | Fruit/Vegetable Strainer And Food Grinder (FVS/FG-A) |
| 24 | 4162347 | Cap, Motor Bearing | | 47 | 4162546 | Brush Holder (Incls. Illus. 28, 32, 33, 34, & 46) | 3180616 | Cover, Decorative (Cotton Polyester) |
| 25 | 8533905 | Nut, Machine Hex (10-24) | | 50 | 4176025 | Ball Bearing And Washer Kit | 4162838 | Food Tray (FT) |
| 26 | 8533905 | Nut, Hex Machine (10-24) | | | | | 4164748 | Juicer (JE) |
| 27 | 3400900 | Lock Washer #10 Ext. Shake-proof | | | | | 4164747 | Can Opener (CO) |
| 28 | 4162320 | Insert, Brush Holder | | | | | 4164803 | Sausage Stuffer Kit (SSA) |
| 29 | 9706416 | Brush & Spring Assembly | | | | | 4162154 | Water Jacket (K5AWJ) |
| | | | | | | | 3177925 | Bowl Cover, Plastic Non-Sealing |
| | | | | | | | 4176100 | 5 Qt. Bowl, Polished Stainless Steel |
| | | | | | | | 4164839 | Speed Disc (Service Tool) |
| | | | | | | | 4160588 | Grease, Planetary |

FOR ORDERING INFORMATION REFER TO PARTS PRICE LIST