



**SERVICE PARTS MANUAL
ICE SERIES CUBERS**

MODEL - ICE0855GA1,2,3 ("G"=Grande Cube)

MODEL - ICE0856GA1,2,3 (" G"=Grande Cube)

MODEL - ICE1006A6,7,8 (Dual Serpentine Evaporator)

MODEL - ICE1006W5,6,7 (Dual Serpentine Evaporator)

MODEL - ICE1006R6,7,8 (Dual Serpentine Evaporator)



14-1033

Date 1/22/16

This parts list contains the service parts available for the ICE Series icemakers listed below:

ICE0855GA1,2,3, ("G"=Grande)

ICE0856GA1,2,3 ("G"=Grande)

ICE1006A6,7,8 (Dual Serpentine Evaporator)

ICE1006W5,6,7 (Dual Serpentine Evaporator)

ICE1006R6,7,8 (Dual Serpentine Evaporator)

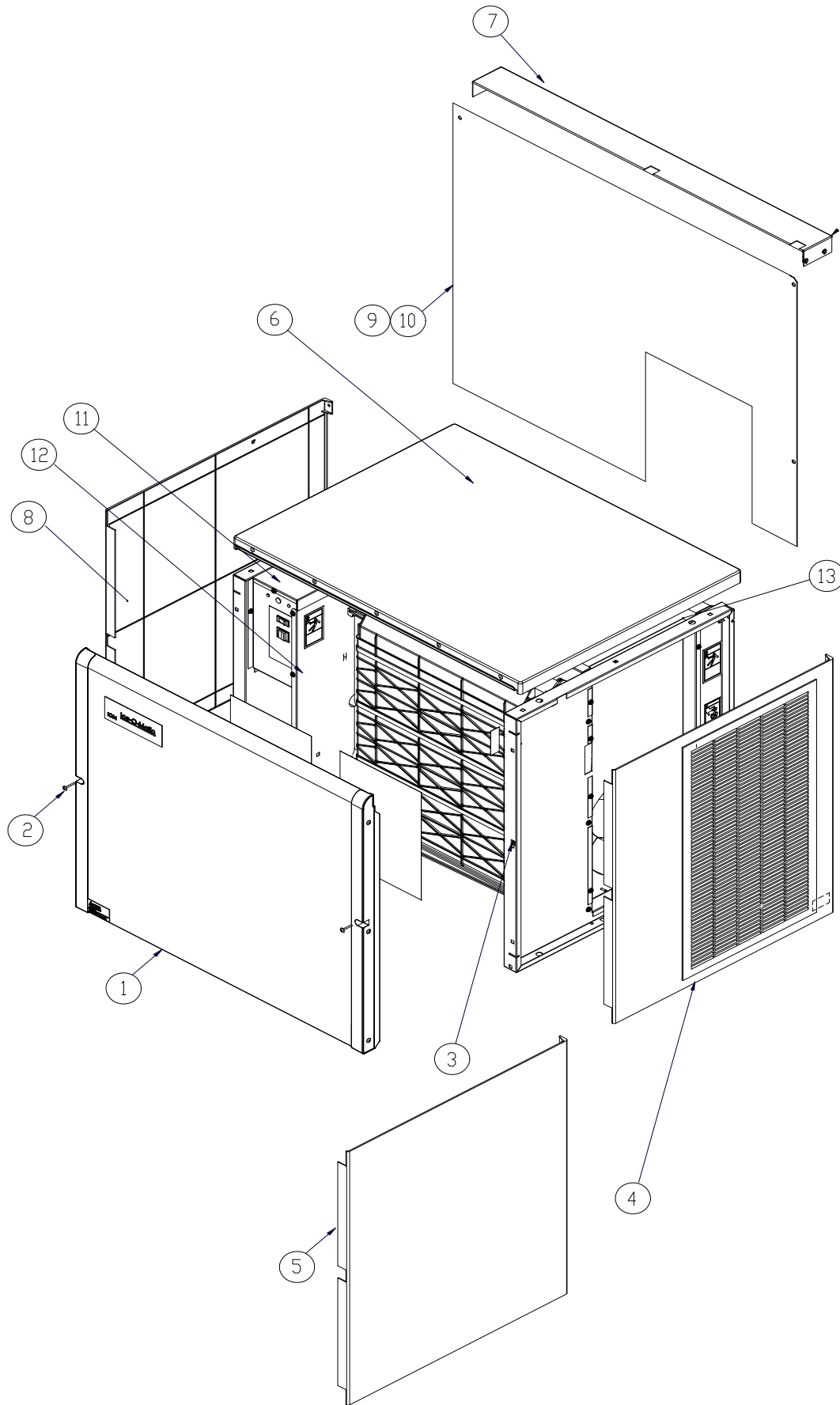
Check the model number on the data plate and refer to the correct listing for the specific component.

Check carefully that the correct part is identified and ordered.

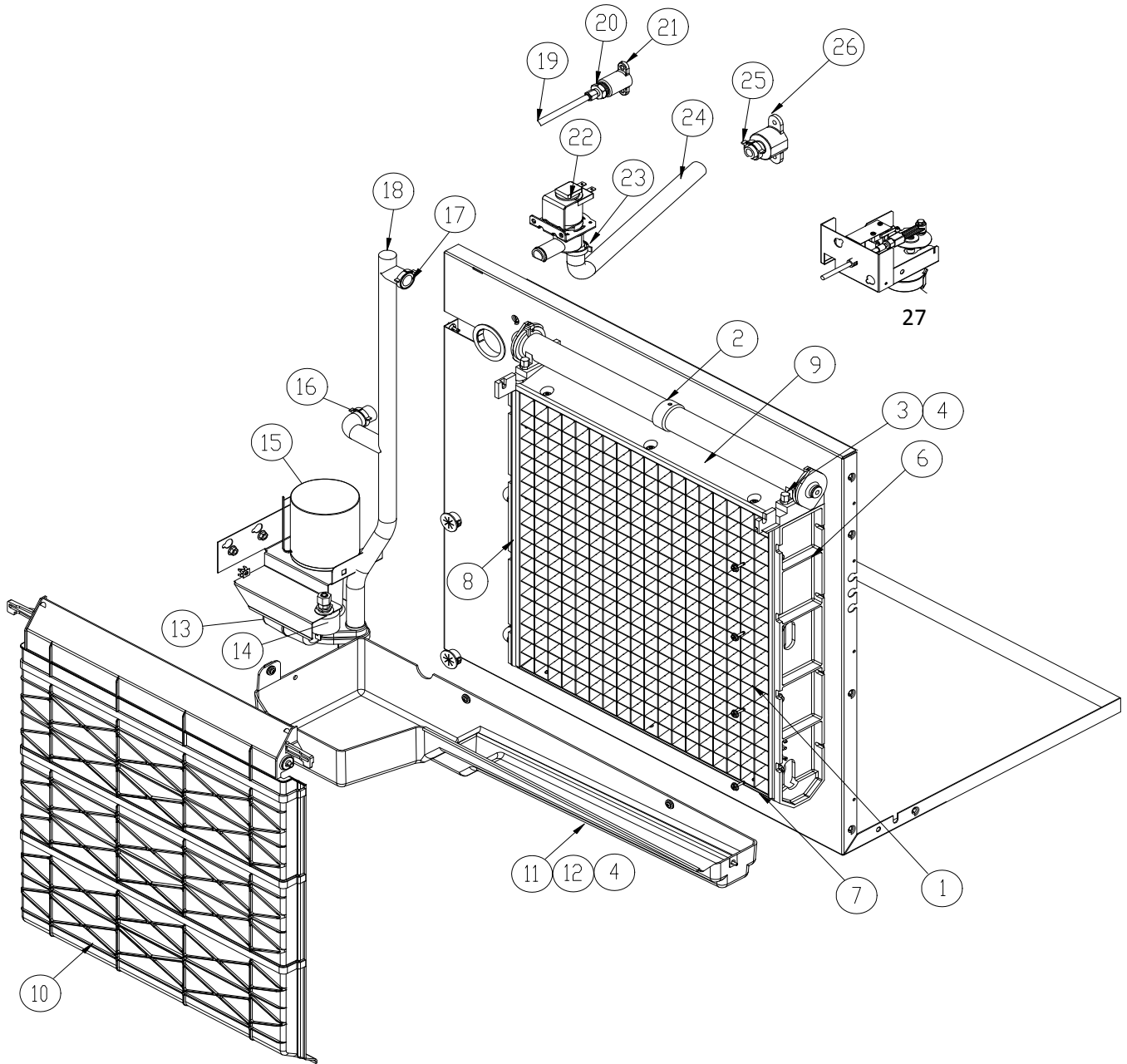
| | |
|-------------------------------------------|---------------------|
| Table of Contents | Page 1 |
| Cabinet Assembly | Page 2 - 3 |
| Evaporator/Water System | Page 4 - 5 |
| Air Cooled | Page 6 - 7 |
| Water Cooled | Page 8 - 9 |
| Remote | Page 10 - 11 |
| Control Box-Compressor Information | Page 12 - 13 |
| Remote Condenser | Page 14 - 15 |

The ICE Series Service Manual is available separately, Part number 9081270-01

Manual Subject to Change



| Item No. | Model Number | | | Description |
|----------|--------------|-------------|-------------|---------------------------------------------------|
| | ICE0855 | ICE0856 | ICE1006 | |
| 1 | 2031511-02S | 2031511-02S | 2031511-02S | Front Panel |
| | 9051562-03 | 9051562-03 | 9051562-03 | Front Panel End Cap, Right Hand |
| | 9051562-04 | 9051562-04 | 9051562-04 | Front Panel End Cap, Left Hand |
| 2 | 9031098-04 | 9031098-04 | 9031098-04 | Front Panel Screws |
| 3 | 9031141-01 | 9031141-01 | 9031141-01 | Plastic Nut |
| 4 | 2101483-02S | 2101483-02S | 2101483-02S | Right Side Panel-Air Cooled Only (Metal) |
| 5 | N/A | N/A | 3021969-02 | Right Side Panel-Water/Remote Only (Metal) |
| 6 | N/A | N/A | 2101425-01S | Top Panel Water and Remote |
| | 2101425-05S | 2101425-05S | 2101425-05S | Top Panel Air Cooled |
| 7 | N/A | N/A | 3012724-01 | Rear Brace |
| 8 | 3021969-02 | 3021969-02 | 3021969-02 | Left Side Panel (Metal) |
| 9 | N/A | N/A | 3021740-01 | Rear Panel |
| 10 | 9031046-01 | 9031046-01 | 9031046-01 | Rear Panel Screws |
| 11 | 3012905-01 | 3012905-01 | 3012905-01 | Control Box Top Cover |
| 12 | 3012891-01 | 3012891-01 | 3012891-01 | Control Box Side Cover |
| 13 | 3012931-01 | N/A | N/A | Machine Compartment Cover |
| | 3012681-01 | 3012681-01 | 3012681-01 | Junction Box Cover, Not Shown |



| Item No. | Model Number | | | | Description |
|----------|--------------------|--------------------|--|--------------------|-----------------------------------------------|
| | ICE0855 | ICE0856 | | ICE1006 | |
| 1 | N/A | N/A | | 2051281-81 | Evaporator Full Cube |
| 1 | N/A | N/A | | 2051281-82 | Evaporator Half Cube |
| 1 | N/A | N/A | | 2051281-83* | Evaporator Half Cube, ICE1006HAN (NOSIL) |
| 1 | 2051283-81 | 2051283-81 | | N/A | Evaporator Grande Cube |
| 2 | 2041338-01 | 2041338-01 | | 2041338-01 | Water Distribution Tube |
| 3 | 9031122-01 | 9031122-01 | | 9031122-01 | Thumb Screw |
| 4 | 9031004-19 | 9031004-19 | | 9031004-19 | Rubber Washer |
| 5 | N/A | N/A | | N/A | Curtain Stopper |
| 6 | 9051170-03 | 9051170-03 | | 9051170-03 | Evaporator Mounting Panel Right Side |
| 7 | 9051135-04 | 9051135-04 | | 9051135-04 | Evaporator Water Return |
| 8 | 9051170-04 | 9051170-04 | | 9051170-04 | Evaporator Mounting Panel Left Side |
| 9 | 9051135-05 | 9051135-05 | | 9051135-05 | Evaporator Spillway |
| 10 | 9051154-12 | 9051154-12 | | 9051154-12 | Evaporator Splash Curtain |
| 11 | 9051537-01 | 9051537-01 | | 9051537-01 | Water Return Trough |
| 12 | 9031046-24 | 9031046-24 | | 9031046-24 | Water Return Trough Screw |
| 13 | 9131111-101 | 9131111-101 | | 9131111-101 | Float, Includes Fittings |
| 14 | 9131026-02 | 9131026-02 | | 9131026-02 | Caplug (Float Deflector) |
| 15 | 9161079-03 | 9161079-03 | | 9161079-03 | Water Pump |
| | 3012509-01 | 30125009-01 | | 3012509-01 | Water Pump Bracket |
| 16 | 9021010-04 | 9021010-04 | | 9021010-04 | Clamp |
| 17 | 9021010-04 | 9021010-04 | | 9021010-04 | Clamp |
| 18 | 9051472-01 | 9051472-01 | | 9051472-01 | Water Pump Tube |
| 19 | 3032898-26 | 3032898-26 | | 3032898-26 | Water Float Tubing (26 inches long) |
| 20 | 9091083-01 | 9091083-01 | | 9091083-01 | Water Inlet Body, Does Not Include Nut |
| | 9091083-03 | 9091083-03 | | 9091083-03 | Water Inlet Nut, Does Not Include Body |
| 21 | 9091074-01 | 9091074-01 | | 9091074-01 | Drop Adapter |
| 22 | 9041105-02 | 9041105-02 | | 9041105-02 | Purge Valve |
| 23 | 9021010-04 | 9021010-04 | | 9021010-04 | Clamp |
| 24 | 3051222-18 | 3051222-18 | | 3051222-18 | Purge Drain Hose (18 inches long) |
| 25 | 9021010-03 | 9021010-03 | | 9021010-03 | Clamp |
| 26 | 9091140-01 | 9091140-01 | | 9091140-01 | Purge Drain Fitting |
| 27 | 1051210-02A | 1051210-02A | | 1051210-02A | Complete Assembly |
| 27 | 2062251-02 | 2062251-02 | | 2062251-02 | No Longer Available |

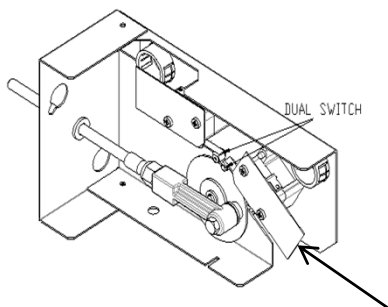
*Note=Evaporator without silicone.

- The **1051210-XX** assembly will fit all ICE Models from October 1999 and EC Models.
- Units installed with a double cam switch, either Field installed or Factory installed will require the complete assembly and a potential wiring change as per the New Wiring Diagram included with the assembly.
- Individual component parts are not available for the **1051210-XX** assembly.
- Individual component parts are No Longer Available for previous version of the Harvest Assist Assembly
- Parts for the **2061962-XX** Harvest Assist Assembly are not compatible with **1051210-XX** Harvest Assist Assembly.
- Proper assembly and alignment of the parts is critical to proper operation, this includes cam and probe alignment.
- If a **1051210-XX** assembly fails, it must be returned to Ice-O-Matic.

1051210-XX are only supplied as complete assemblies, individual components are not available.

Please reference the above Model Numbers to insure the correct assembly is supplied

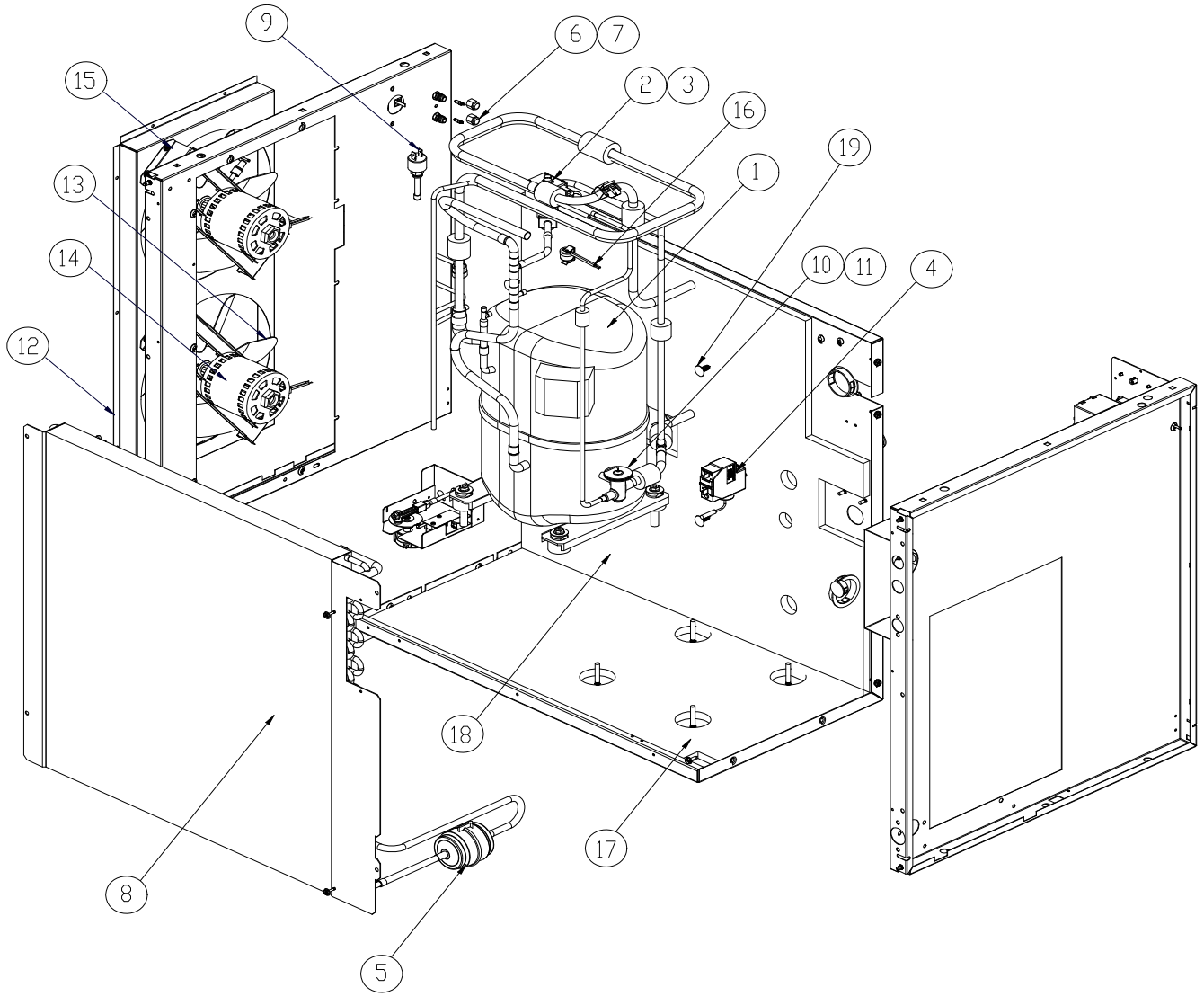
THE DUAL CAM SWITCH HARVEST ASSIST ASSEMBLIES ARE NO LONGER AVAILABLE



1051199-01 No Longer Available

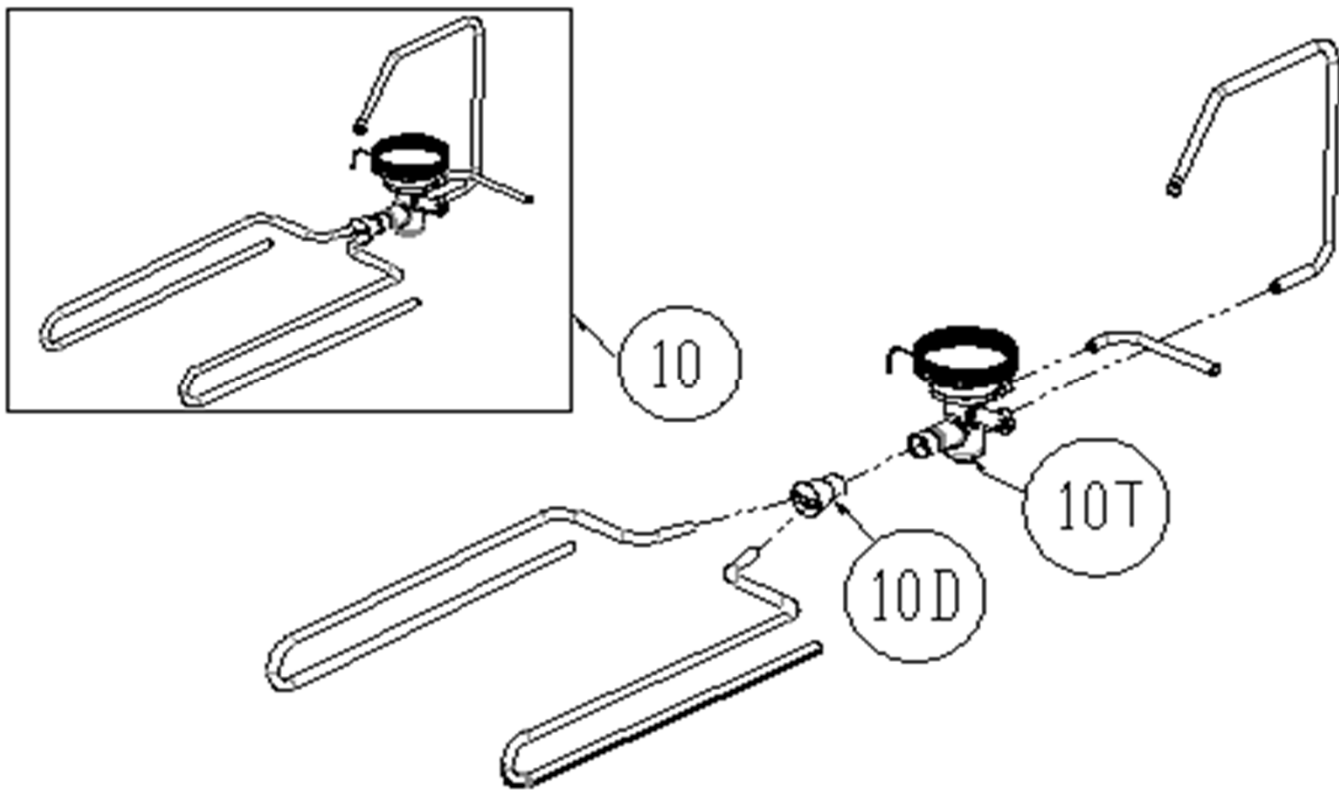


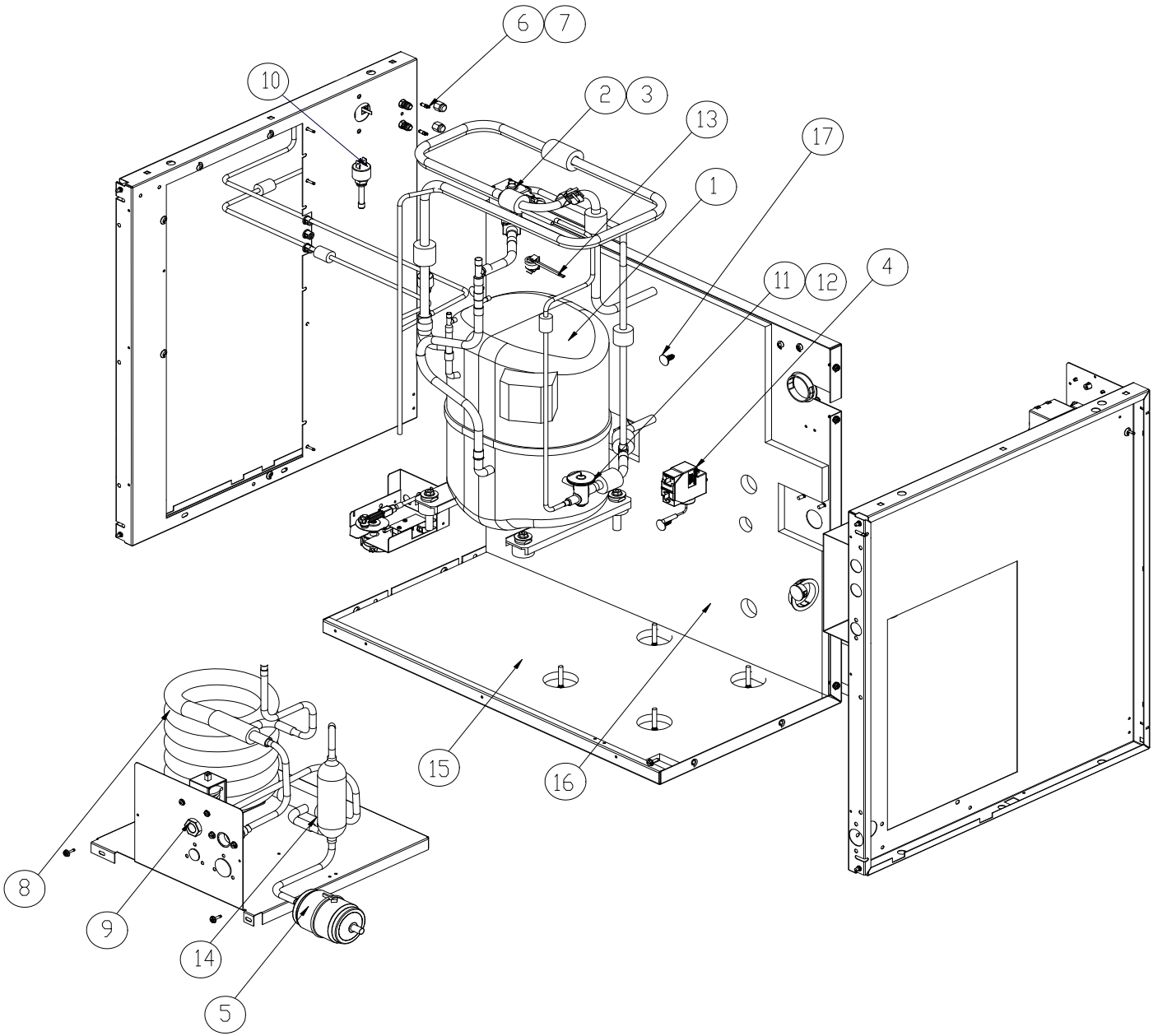
1051210-02 Reference Above for Specific Model Number



| Item No. | Model Number | | | Description |
|----------|--------------|--------------|--------------|-----------------------------------------------|
| | ICE0855 | ICE0856 | ICE1006 | |
| 1 | 9181141-12 | 9181140-11 | 9181140-11 | Compressor Kit |
| 2 | 9151123-02 | 9151123-02 | 9151123-02 | Hot Gas Valve Body |
| 3 | 9151123-04 | 9151123-04 | 9151123-04 | Hot Gas Valve Coil |
| 4 | 9041104-101A | 9041104-101A | 9041104-101A | Low Pressure Control |
| 5 | 9151163-03 | 9151163-03 | 9151163-03 | Filter Drier |
| 6 | 9091086-02 | 9091086-02 | 9091086-02 | Service Valve Core |
| 6A | 9091086-01 | 9091086-01 | 9091086-01 | Service Valve Body |
| 7 | 9091086-03 | 9091086-03 | 9091086-03 | Service Valve Cap |
| 8 | 9141122-01 | 9141122-01 | 9141122-01 | Condenser |
| 9 | 9041106-01 | 9041106-01 | 9041106-01 | Fan Control 9041096-01 is NLA |
| 10 | 2041982-01S | 2041982-01S | 2041982-01S | Expansion Valve Assembly |
| 10D | 9151061-01 | 9051061-01 | 9151061-01 | Distributor Only |
| 10T | 9151166-01 | 9151166-01 | 9151166-01 | Expansion Valve Only |
| 11 | NA | NA | NA | NA |
| 12 | 3012741-01 | 3012741-01 | 3012741-01 | Fan Shroud |
| 13 | 9131383-01 | 9131383-01 | 9131383-01 | Fan Blade |
| 14 | 9161124-02 | 9161124-03 | 9161124-03 | Fan Motor |
| 15 | 3013252-01 | 3013252-01 | 3013252-01 | Fan Motor Brkt |
| 16 | 9041098-01 | 9041098-01 | 9041098-01 | High Temperature Safety Control |
| 17 | 9131512-01 | 9131512-01 | 9131512-01 | Insulation Panel, Lower |
| 18 | See Item 17 | See Item 17 | See Item 17 | Insulation Panel Divider, Included in Item 17 |
| 19 | 9031154-01 | 9031154-01 | 9031154-01 | Insulation Clip (Christmas Tree) |

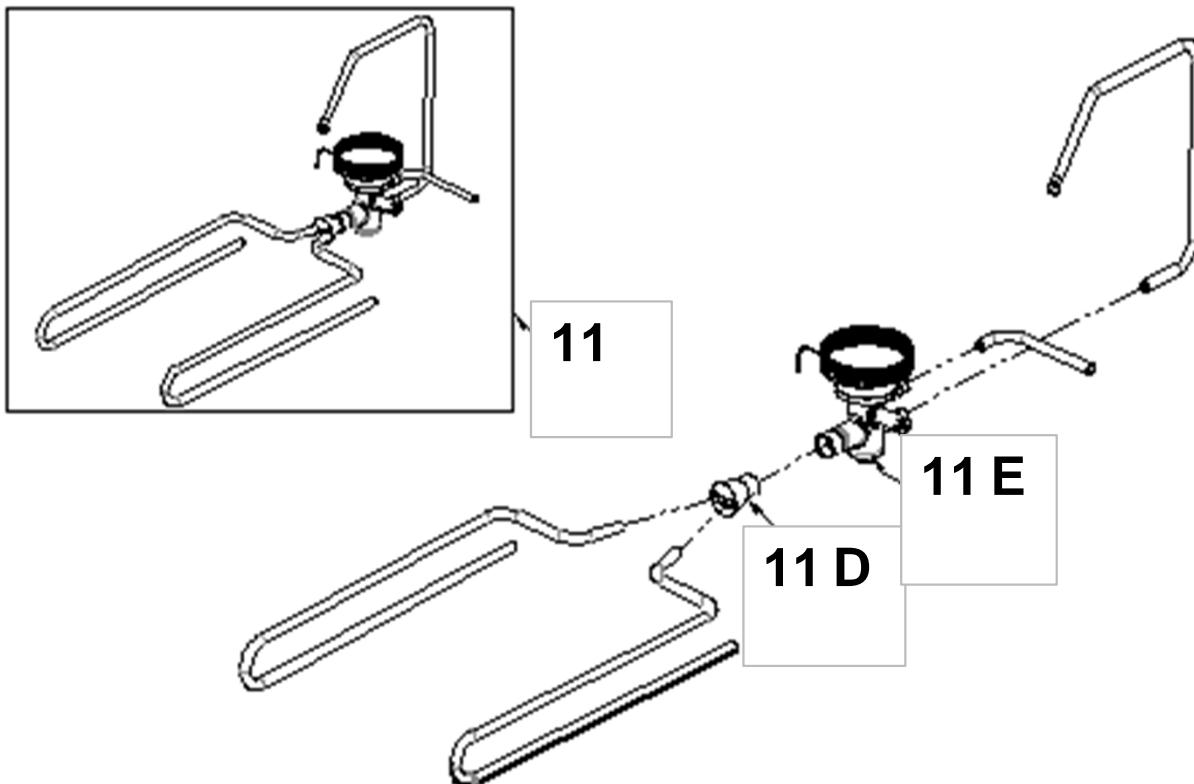
See Page 13 for Compressor Components

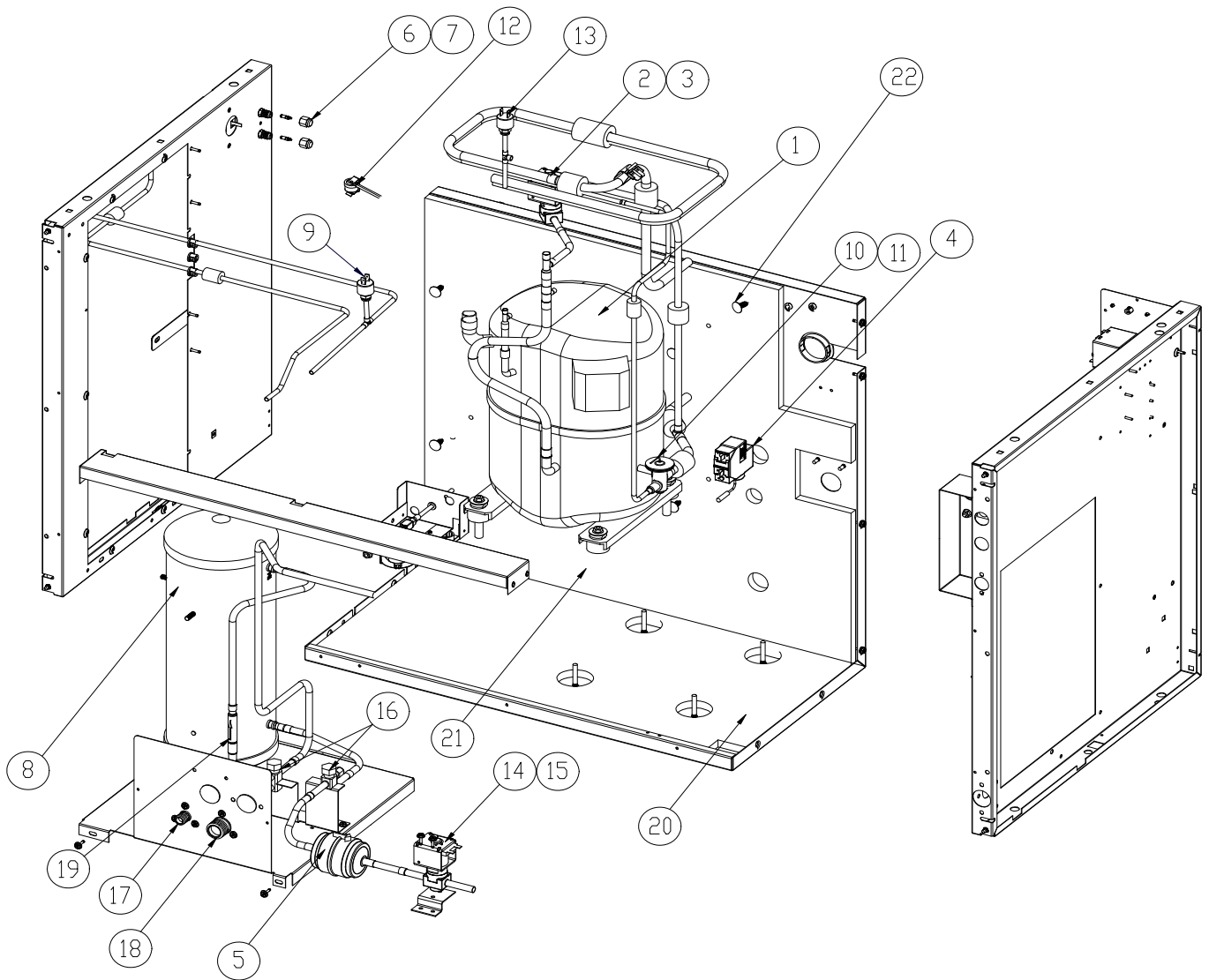




| Item | Model Number | | | | |
|------|--------------|--|--------------|--|------------------------------------------------|
| No. | | | ICE1006 | | Description |
| 1 | | | 9181140-11 | | Compressor |
| 2 | | | 9151123-02 | | Hot Gas Valve Body |
| 3 | | | 9151123-04 | | Hot Gas Valve Coil |
| 4 | | | 9041104-101A | | Low Pressure Control |
| 5 | | | 9151163-02 | | Filter Drier |
| 6 | | | 9091086-02 | | Service Valve Core |
| 6A | | | 9091086-01 | | Service Valve Body |
| 7 | | | 9091086-03 | | Service Valve Cap |
| 8 | | | 9141061-02 | | Water Condenser |
| 9 | | | 9041059-01 | | Water Valve |
| 10 | | | 9041091-01 | | High Pressure Control |
| 11 | | | 2041982-01S | | Expansion Valve Assembly |
| 11D | | | 9151061-01 | | Distributor Only |
| 11E | | | 9151166-01 | | Expansion Valve Only |
| 12 | | | NA | | NA |
| 13 | | | 9041098-01 | | High Temperature Safety Control |
| 14 | | | 9151155-01 | | Receiver |
| 15 | | | 9131512-01 | | Insulation Panel, Lower |
| 16 | | | See Item 15 | | Insulation Panel, Divider, Included in Item 15 |
| 17 | | | 9031154-01 | | Insulation Clip |

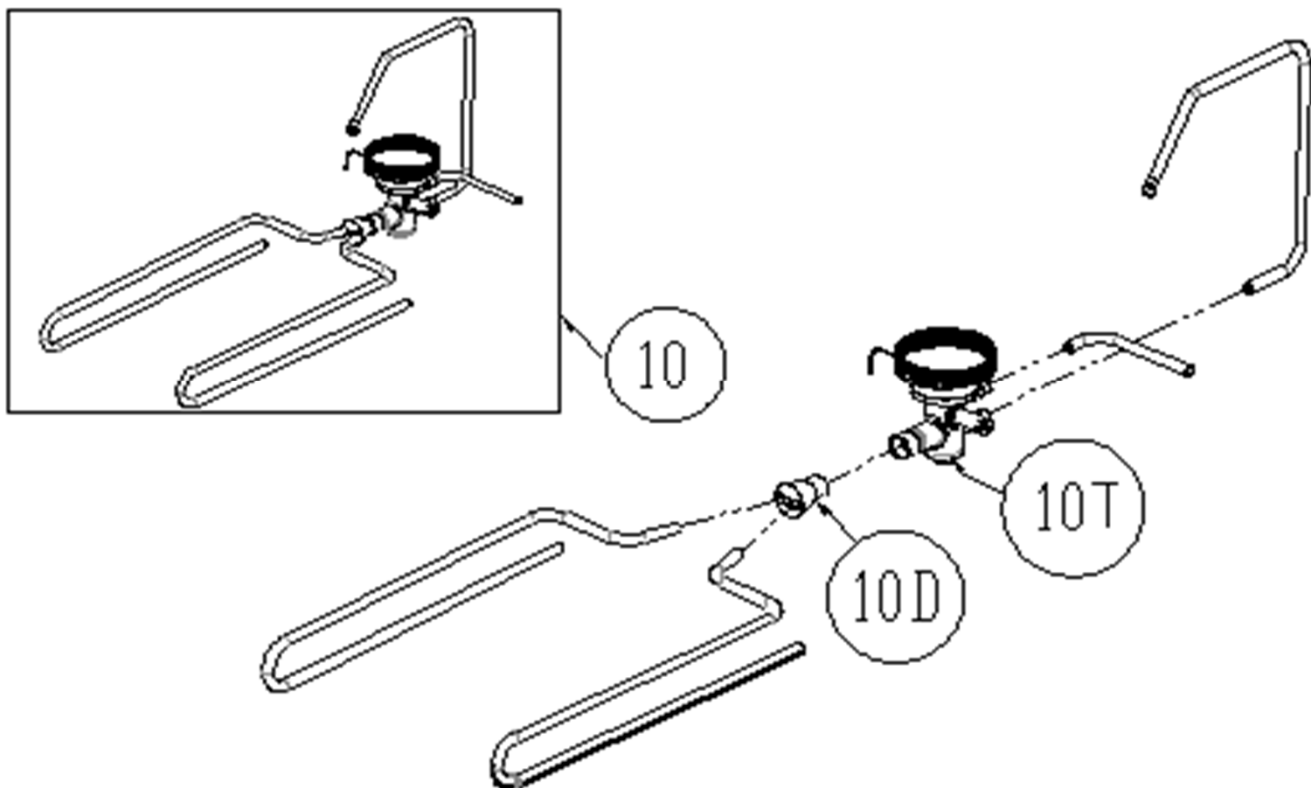
Reference Page 13 for specific compressor components.

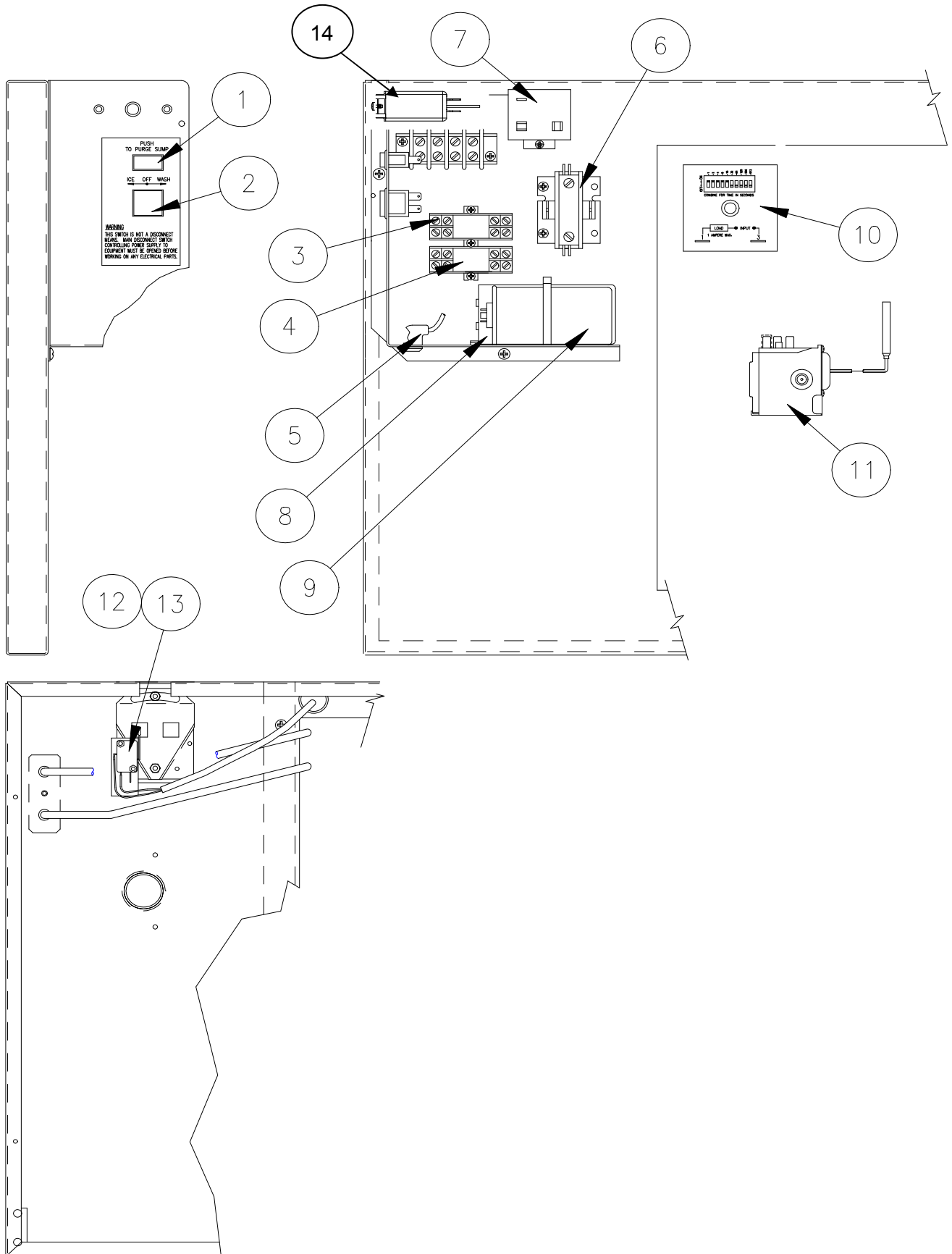




| Item No. | Model Number | | | Description |
|----------|--------------|--|-----------------------|--------------------------------------------------|
| 1 | | | ICE1006 9181140-11 | Compressor |
| 2 | | | 9151123-02 | Hot Gas Valve Body |
| 3 | | | 9151123-04 | Hot Gas Valve Coil |
| 4 | | | 9041104-101A | Low Pressure Control Replaces |
| 5 | | | 9151163-03 | Filter Drier |
| 6 | | | 9091086-02 | Service Valve Core |
| | | | 9091086-01 | Service Valve Body |
| 7 | | | 9091086-03 | Service Valve Cap |
| 8 | | | 9151060-01 | Receiver |
| 9 | | | 9041091-01 | High Pressure Control |
| 10 | | | 2041982-01S | Expansion Valve Assembly |
| 10D | | | 9151061-01 | Distributor Only |
| 10T | | | 9151166-01 | Expansion Valve Only |
| 11 | | | NA | NA |
| 12 | | | 9041098-01 | High Temperature Safety Control |
| 13 | | | 9041092-02 | Pump Down Control |
| 14 | | | 9151123-02 | Liquid Line Solenoid Body |
| 15 | | | 9151123-04 | Liquid Line Solenoid Coil |
| 16 | | | N/A | Valve-Shut Off |
| 17 | | | 9091001-11 | Remote Fitting 3/8 Male |
| 18 | | | 9091001-12 | Remote Fitting 1/2 Male |
| 19 | | | 9151139-01 | Check Valve |
| 20 | | | 9131512-01 | Insulation Panel, Lower |
| 21 | | | See Item 20 | Insulation Panel, Divider, Included with Item 20 |
| 22 | | | 9031154-01 | Insulation Clip |

Reference Page 13 for specific compressor components.

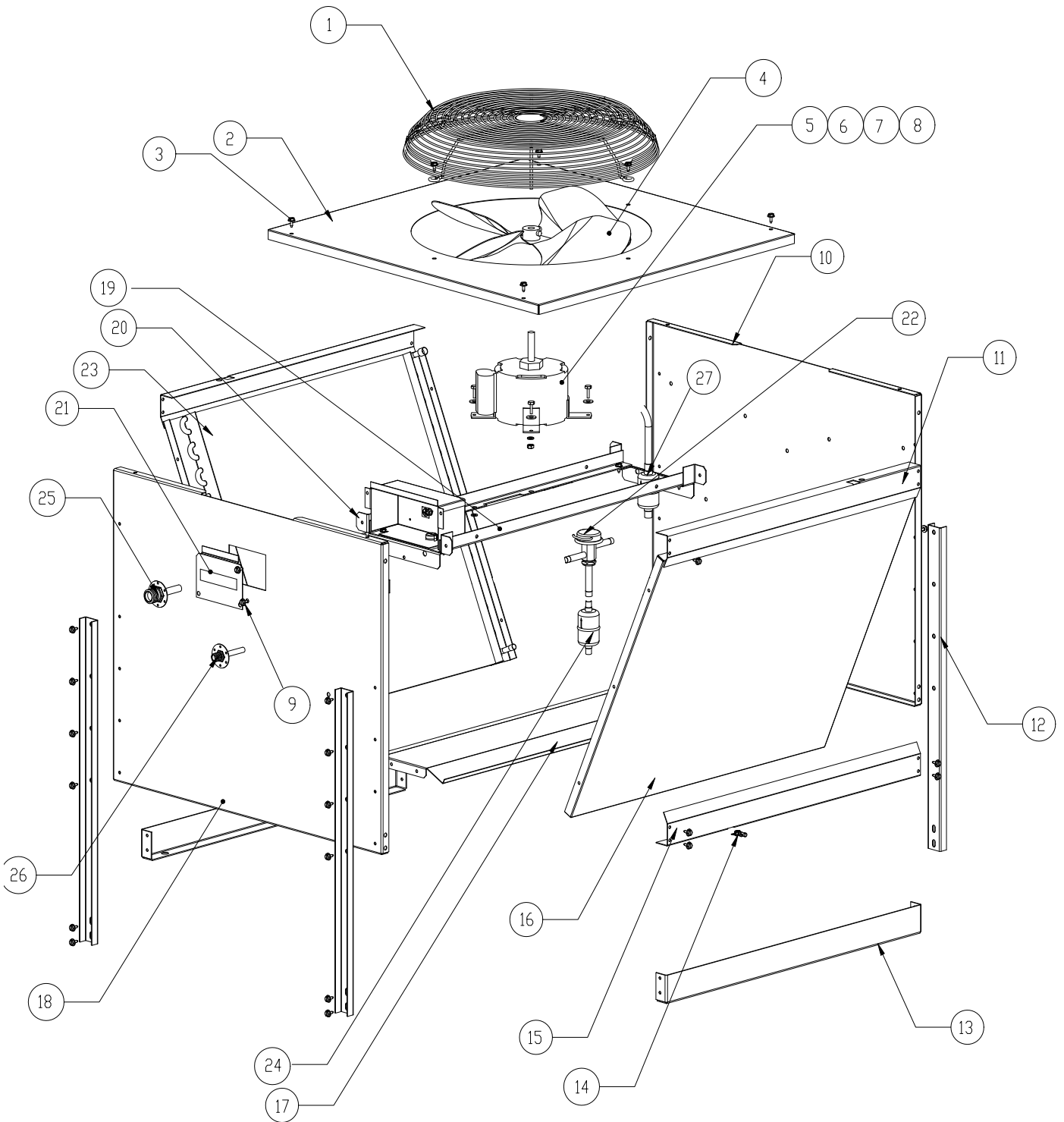




| Item No. | Model Number | | | | Description |
|----------|--------------|--------------|--|--------------|-------------------------|
| | ICE0855 | ICE0856 | | ICE1006 | |
| 1 | 9101348-01 | 9101348-01 | | 9101348-01 | Purge Switch |
| 2 | 9101349-01 | 9101349-01 | | 9101349-01 | ON-OFF-WASH Switch |
| 3 | 9101083-01 | 9101083-01 | | 9101083-01 | Relay Socket |
| 4 | 9101084-02 | 9101084-02 | | 9101084-02 | Relay |
| 5 | 9101218-12 | 9101218-12 | | 9101218-12 | Water Pump Cord |
| 6 | 9101002-06 | 9101002-06 | | 9101002-06 | Contactora |
| 7 | See Below | See Below | | See Below | Compressor Start Relay |
| 8 | See Below | See Below | | See Below | Start Capacitor |
| 9 | See Below | See Below | | See Below | Run Capacitor |
| 10 | 9101148-01 | 9101148-01 | | 9101148-01 | Timer |
| 11 | 9041104-101A | 9041104-101A | | 9041104-101A | Low Pressure Control |
| 12 | 2061471-03 | 2061471-03 | | 2061471-03 | Curtain Switch Assembly |
| 13 | 9101124-02 | 9101124-02 | | 9101124-02 | Curtain Switch |
| 14 | 9041097-01 | 9041097-01 | | 9041097-01 | Bin Thermostat |

Specific Compressor Components

| | Model Number | | | | Description |
|--|--------------|------------|--|------------|----------------------------|
| | ICE0855 | ICE0856 | | ICE1006 | |
| | 9181141-12 | | | | Compressor CS14K6E-PFJ-255 |
| | 9181003-07 | | | | Start Capacitor |
| | 9181009-12 | | | | Run Capacitor |
| | 9181010-12 | | | | Relay |
| | | | | | |
| | | 9181140-11 | | | Compressor CS12K6E-PFV-255 |
| | | 9181003-07 | | | Start Capacitor |
| | | 9181009-16 | | | Run Capacitor |
| | | 9181010-12 | | | Relay |
| | | | | | |
| | | | | | |
| | | | | 9181140-11 | Compressor CS12K6E-PFV-255 |
| | | | | 9181003-07 | Start Capacitor |
| | | | | 9181009-16 | Run Capacitor |
| | | | | 9181010-12 | Relay |



ICE1000R6

| Item | | VRC2061 | | Description |
|------|--|------------|--|------------------------------|
| 1 | | 9131452-01 | | Fan Guard |
| 2 | | 3013222-01 | | Top Panel |
| 3 | | 9031019-04 | | ¼-20 x 1/2 Screw |
| 4 | | 9131451-01 | | Fan Blade |
| 5 | | 9161117-01 | | Fan Motor |
| 6 | | 9031001-02 | | ¼-20 x ¾ Cap Screw |
| 7 | | 9031003-01 | | Flat Washer |
| 8 | | 9031118-02 | | Flanged Lock Nut |
| 9 | | 9031019-04 | | ¼-20 x 1/2 Screw |
| 10 | | 3013224-01 | | Rear Panel |
| 11 | | 3013226-01 | | Brace |
| 12 | | 3013227-01 | | Leg |
| 13 | | 3013228-01 | | Leg Brace |
| 14 | | N/A | | T-Nut-Shipping Only |
| 15 | | 3013226-01 | | Brace |
| 16 | | N/A | | Cover Panel |
| 17 | | 3013225-01 | | Center Panel |
| 18 | | 3013223-01 | | Front Panel |
| 19 | | 3013234-01 | | Motor Brace |
| 20 | | 3013233-01 | | Motor Brace Support |
| 21 | | 3013229-01 | | Junction Box Cover |
| 22 | | 9151027-07 | | Mixing Valve |
| 23 | | 9141135-01 | | Condenser-Same on Both Sides |
| 24 | | NA | | NA |
| 25 | | 9091001-12 | | 1/2 Coupling |
| 26 | | 9091001-11 | | 3/8 Coupling |
| 27 | | NA | | NA |