

# ***Ice-O-Matic***<sup>®</sup>

**SERVICE PARTS MANUAL**

**ICE SERIES CUBERS**

**MODEL - ICE0250A4-T4-W4, ICE0400A3-T3-W3**

**MODEL - ICE0500A3-T3-W3-R4, ICE0606A3-T3-W3-R4**

Includes 50Hz. Units



Ice-O-Matic  
11100 East 45th Ave  
Denver, Colorado 80239

**14-1021**

Date 11/4/15



This parts list contains the service parts available for the ICE Series icemakers listed below:

**ICE0250 A4, T4 and W4, Includes 50 hz. Models**

**ICE0400 A3, T3 and W3, Includes 50 hz. Models**

**ICE0500 A3, T3, W3 and R4**

**ICE0606 A3, T3, W3 and R4 Includes 50 hz. Models**

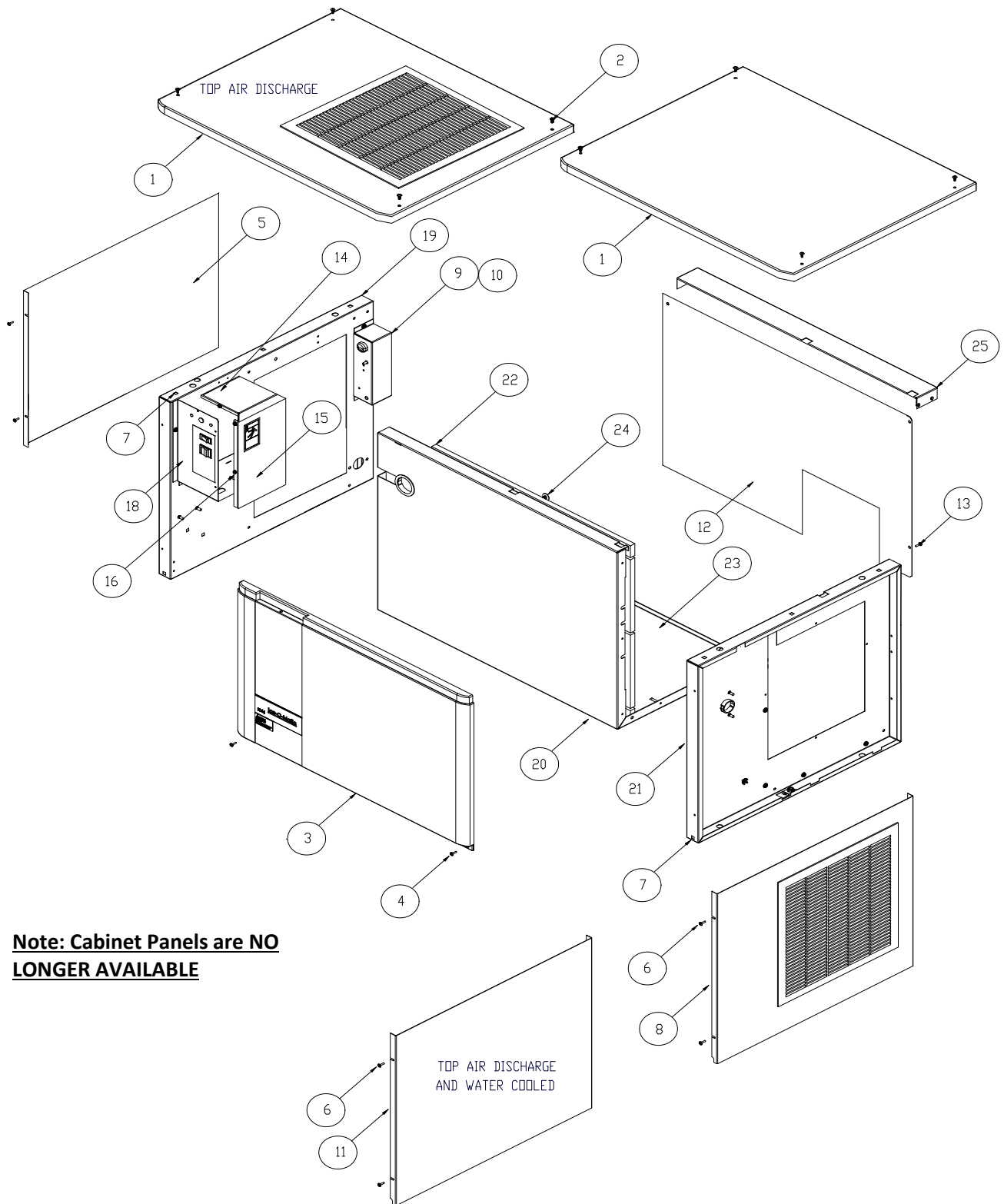
Check the model number on the data plate and refer to the correct listing for the specific component.

Check carefully that the correct part is identified and ordered.

Table of Contents	Page 1
Cabinet Assembly	Page 2 - 3
<b><u>Note: Cabinet Panels are NO LONGER AVAILABLE</u></b>	
Evaporator/Water System	Page 4 - 5
Air Cooled and Top Discharge	Page 6 - 7
Water Cooled	Page 8 - 9
Remote	Page 10 - 11
Control Box	Page 12 - 13
Specific Compressor Components	Page 13
Harvest Assist Assembly	Page 14 - 15
Remote Condenser	Page 16 - 17

**The ICE Series Service Manual is available separately, Part number 9081270-01**

Ice-O-Matic  
11100 East 45th Ave.  
Denver Co. 80239  
800-423-3367



**Note: Cabinet Panels are NO LONGER AVAILABLE**

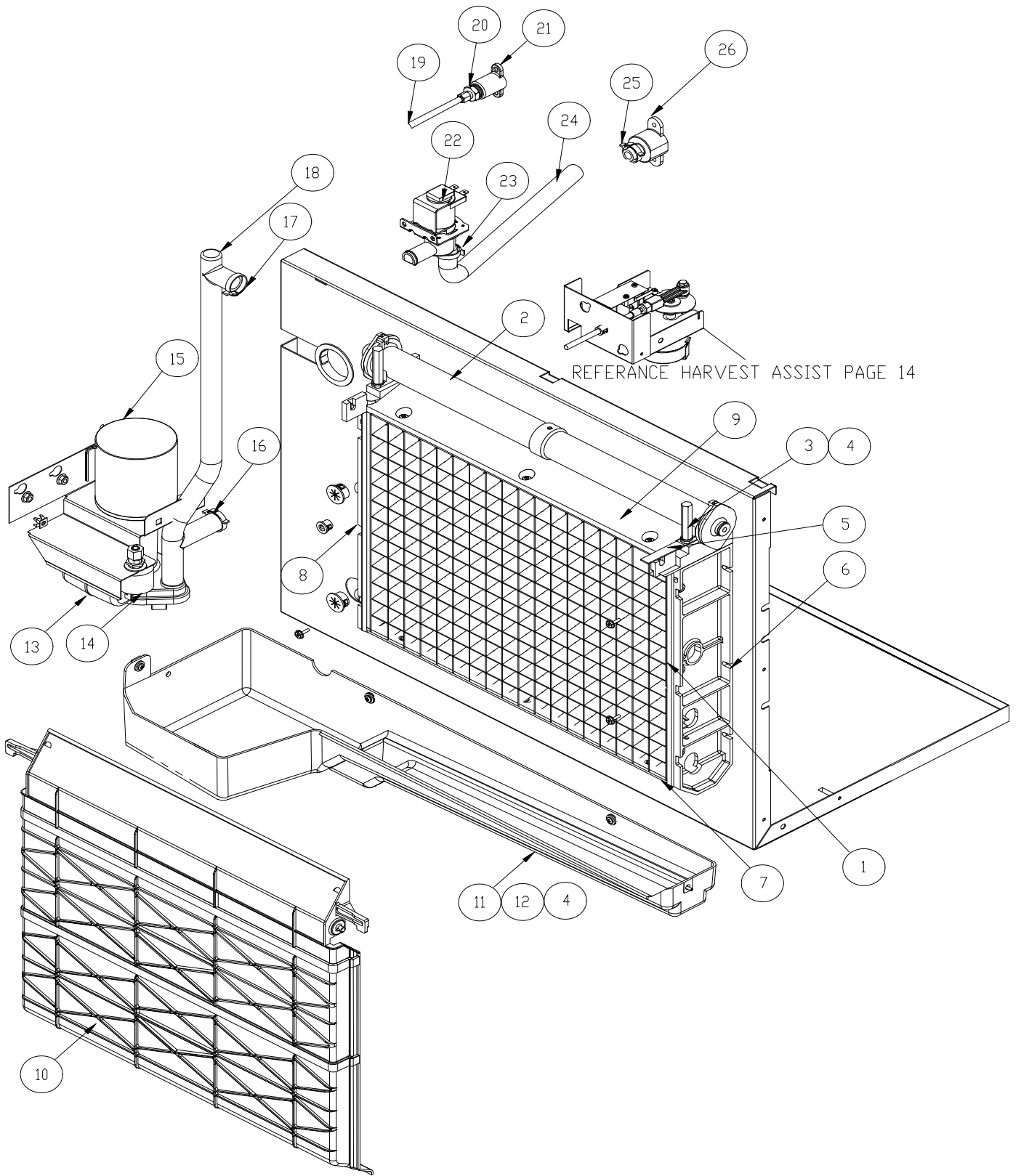
Top Air Discharge Kit Part Number 1051142-01 **NO LONGER AVAILABLE**

# ICE Series Service Parts

# Cabinet Assembly

Item No.	Model Number					Description
	ICE0250	ICE0400	ICE0406	ICE0500	ICE0606	
1	2101285-01	2101285-01	2101285-01	2101285-01	2101285-01	Top Panel-Air Cooled <u>NLA</u>
1	2101280-01	2101280-01	2101280-01	2101280-01	2101280-01	Top Panel-Top Discharge <u>NLA</u>
1	9051466-01	9051466-01	9051466-01	9051466-01	9051466-01	Top Panel-Water Cooled/Remote <u>NLA</u>
2	9031098-02	9031098-02	9031098-02	9031098-02	9031098-02	Top Panel Screw
3	2031465-01	2031465-01	2031465-01	2031465-01	2031465-01	Front Panel
4	9031098-02	9031098-02	9031098-02	9031098-02	9031098-02	Front Panel Screw
5	3021915-01	3021915-01	3021915-01	3021915-01	3021915-01	Left Hand Side Panel
6	9031046-03	9031046-03	9031046-03	9031046-03	9031046-03	Side Panel Screws
7	9031141-01	9031141-01	9031141-01	9031141-01	9031141-01	Plastic Nut Insert
8	2031504-01	2031504-01	2031504-01	2031504-01	2031504-01	Right Side Panel-Louvered <u>NLA</u>
9	3012681-01	3012681-01	3012681-01	3012681-01	3012681-01	Junction Box Cover
10	9031046-01	9031046-01	9031046-01	9031046-01	9031046-01	Junction Box Cover Screw
11	3021914-01	3021914-01	3021914-01	3021914-01	3021914-01	Right Side Panel <b>Non-Louvered</b> <u>NLA</u>
12	3021742-01	3021742-01	3021742-01	3021742-01	3021742-01	Rear Panel
13	9031046-01	9031046-01	9031046-01	9031046-01	9031046-01	Rear Panel Screw
14	3012905-01	3012905-01	3012905-01	3012905-01	3012905-01	Control Box Top Cover
15	3012904-01	3012904-01	3012904-01	3012904-01	3012904-01	Control Box Side Cover
16	9031046-01	9031046-01	9031046-01	9031046-01	9031046-01	Control Box Screws
17	N/A	N/A	N/A	N/A	N/A	N/A
18	3012855-01	3012855-01	3012855-01	3012855-01	3012855-01	Control Box Front Cover
19	2021650-01	2021650-01	2021650-01	2021650-01	2021650-01	Left Hand Frame Side
20	2021648-01	2021648-01	2021648-01	2021648-01	2021648-01	Divider Base Assembly
21	2021649-01	2021649-01	2021649-01	2021649-01	2021649-01	Right Hand Frame Side
22	9131181-01	9131181-01	9131181-01	9131181-01	9131181-01	Insulation
23	9131121-04	9131121-04	9131121-04	9131121-04	9131121-04	Insulation
24	9031154-01	9031154-01	9031154-01	9031154-01	9031154-01	Retainer "Christmas Tree Clip"
25	3012724-01	3012724-01	3012724-01	3012724-01	3012724-01	Brace

Item No.	Model Number			Description
	ICE0305	ICE0405	ICE0605	
1	2101285-01	2101285-01	2101285-01	Top Panel-Air Cooled <u>NLA</u>
1	2101280-01	2101280-01	2101280-01	Top Panel-Top Discharge <u>NLA</u>
1	9051466-01	9051466-01	9051466-01	Top Panel-Water Cooled/Remote <u>NLA</u>
2	9031098-02	9031098-02	9031098-02	Top Panel Screw
3	2031465-01	2031465-01	2031465-01	Front Panel
4	9031098-02	9031098-02	9031098-02	Front Panel Screw
5	3021915-01	3021915-01	3021915-01	Left Hand Side Panel
6	9031046-03	9031046-03	9031046-03	Side Panel Screws
7	9031141-01	9031141-01	9031141-01	Plastic Nut Insert
8	2031504-01	2031504-01	2031504-01	Right Side Panel-Louvered <u>NLA</u>
9	3012681-01	3012681-01	3012681-01	Junction Box Cover
10	9031046-01	9031046-01	9031046-01	Junction Box Cover Screw
11	3021914-01	3021914-01	3021914-01	Right Side Panel <b>Non-Louvered</b> <u>NLA</u>
12	3021742-01	3021742-01	3021742-01	Rear Panel
13	9031046-01	9031046-01	9031046-01	Rear Panel Screw
14	3012905-01	3012905-01	3012905-01	Control Box Top Cover
15	3012904-01	3012904-01	3012904-01	Control Box Side Cover
16	9031046-01	9031046-01	9031046-01	Control Box Screws
17	3012931-01	3012931-01	3012931-01	Machine Compartment Cover
18	3012855-01	3012855-01	3012855-01	Control Box Front Cover
19	2021650-01	2021650-01	2021650-01	Left Hand Frame Side
20	2021648-01	2021648-01	2021648-01	Divider Base Assembly
21	2021649-01	2021649-01	2021649-01	Right Hand Frame Side
22	9131181-01	9131181-01	9131181-01	Insulation
23	9131121-04	9131121-04	9131121-04	Insulation
24	9031154-01	9031154-01	9031154-01	Retainer "Christmas Tree Clip"
25	3012724-01	3012724-01	3012724-01	Brace



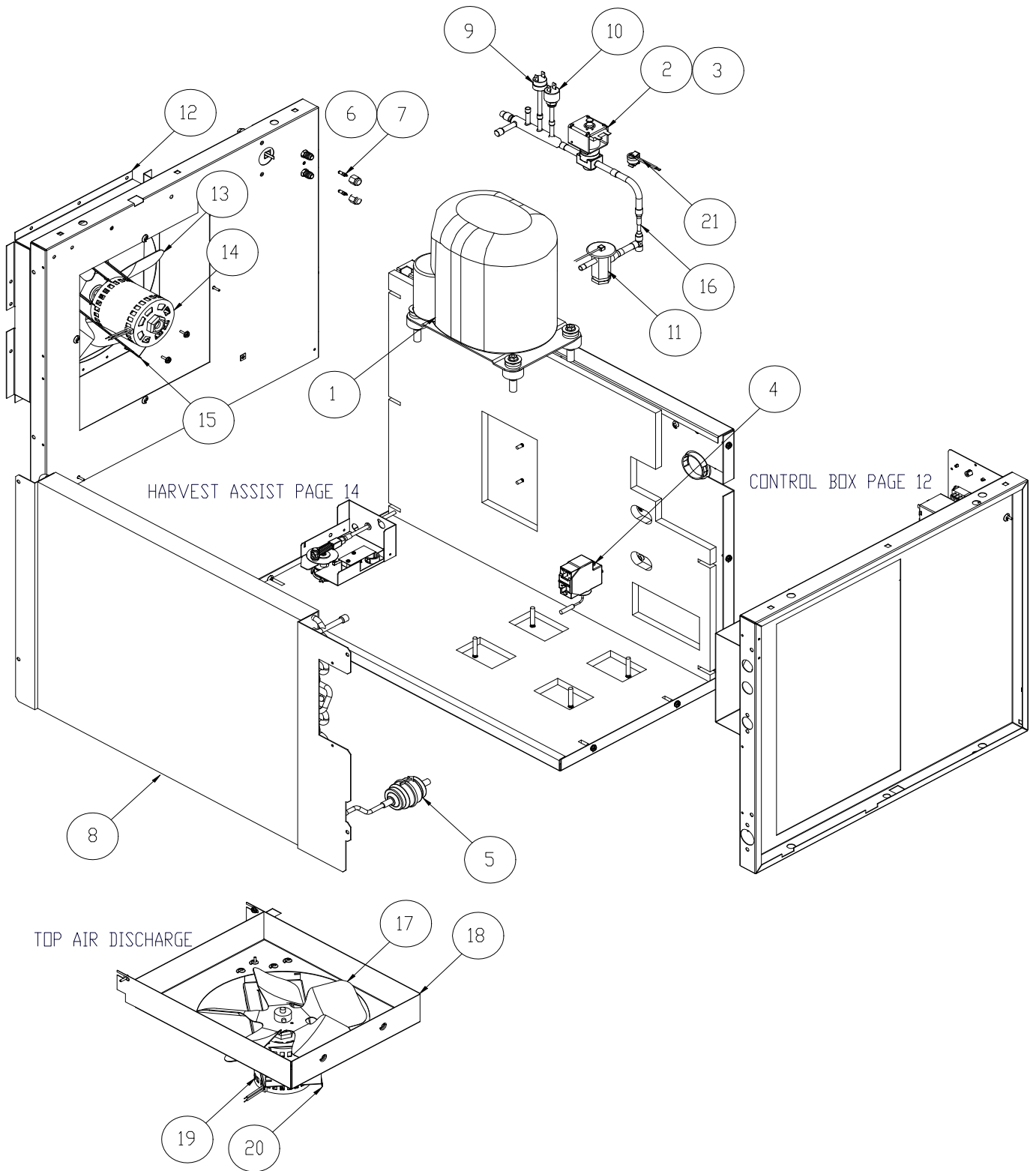
# ICE Series Service Parts

# Evaporator/Water System

Item No.	Model Number					Description
	ICE0250	ICE0400	ICE0406	ICE0500	ICE0606	
1	2051156-81	2051148-81	2051148-81	2051148-81	2051148-81	Evaporator Full Cube
1	2051156-82	2051148-82	2051148-82	2051148-82	2051148-82	Evaporator Half Cube
2	2041338-01	2041338-01	2041338-01	2041338-01	2041338-01	Water Distribution Tube
3	9031122-05	9031122-05	9031122-05	9031122-05	9031122-05	Thumb Screw
4	9031004-19	9031004-19	9031004-19	9031004-19	9031004-19	Rubber Washer
5	3012747-01	N/A	N/A	N/A	N/A	Curtain Stopper
6	9051136-08	9051136-06	9051136-06	9051136-06	9051136-06	Evaporator Mounting Panel Right Side
7	9051135-04	9051135-04	9051135-04	9051135-04	9051135-04	Evaporator Water Return
8	9051136-07	9051136-05	9051136-05	9051136-05	9051136-05	Evaporator Mounting Panel Left Side
9	9051135-05	9051135-05	9051135-05	9051135-05	9051135-05	Evaporator Spillway
10	9051154-07	9051154-08	9051154-08	9051154-08	9051154-08	Evaporator Splash Curtain
11	9051537-01	9051537-01	9051537-01	9051537-01	9051537-01	Water Return Trough
12	9031046-24	9031046-24	9031046-24	9031046-24	9031046-24	Water Return Trough Screw
13	9131111-101	9131111-101	9131111-101	9131111-101	9131111-101	Float (Includes Fittings)
14	9131026-02	9131026-02	9131026-02	9131026-02	9131026-02	Caplug (Float Deflector)
15	9161076-01	9161076-01	9161076-02	9161076-01	9161076-02	Water Pump
	3012509-01	3012509-01	3012509-01	3012509-01	3012509-01	Water Pump Bracket
16	9021010-04	9021010-04	9021010-04	9021010-04	9021010-04	Clamp
17	9021010-04	9021010-04	9021010-04	9021010-04	9021010-04	Clamp
18	9051142-02	9051142-01	9051142-01	9051142-01	9051142-01	Water Pump Tube
19	3032898-26	3032898-26	3032898-26	3032898-26	3032898-26	Water Float Tubing (26 Inches required)
20	9091083-01	9091083-01	9091083-01	9091083-01	9091083-01	Water Inlet Fitting
21	9091074-01	9091074-01	9091074-01	9091074-01	9091074-01	Drop Adapter
22	9041105-01	9041105-01	9041105-02	9041105-01	9041105-02	<b>Purge Valve 9041086 Series is NLA</b>
	9041105-101	9041105-101	9041105-101	9041105-101	9041105-101	<b>Purgve Valve Mounting Brkt pre 2006 units</b>
23	9021010-04	9021010-04	9021010-04	9021010-04	9021010-04	Clamp
24	9051280-11	9051280-11	9051280-11	9051280-11	9051280-11	Purge Drain Hose
25	9021010-03	9021010-03	9021010-03	9021010-03	9021010-03	Clamp
26	9091140-01	9091140-01	9091140-01	9091140-01	9091140-01	Purge Drain Fitting

**Note: When installing a 9041105 Series Purge Valve the Mounting Bracket is required on pre 2006 units**

Item No.	Model Number - 50 Cycle Units			Description
	ICE0305	ICE0405	ICE0605	
1	2051156-01	2051148-01	2051148-01	Evaporator Full Cube
1	2051156-02	2051148-02	2051148-02	Evaporator Half Cube
2	2041338-01	2041338-01	2041338-01	Water Distribution Tube
3	9031122-05	9031122-05	9031122-05	Thumb Screw
4	9031004-19	9031004-19	9031004-19	Rubber Washer
5	3012747-01	N/A	N/A	Curtain Stopper
6	9051136-08	9051136-06	9051136-06	Evaporator Mounting Panel Right Side
7	9051135-04	9051135-04	9051135-04	Evaporator Water Return
8	9051136-07	9051136-05	9051136-05	Evaporator Mounting Panel Left Side
9	9051135-05	9051135-05	9051135-05	Evaporator Spillway
10	9051154-07	9051154-08	9051154-08	Evaporator Splash Curtain
11	9051537-01	9051537-01	9051537-01	Water Return Trough
12	9031046-24	9031046-24	9031046-24	Water Return Trough Screw
13	9131111-101	9131111-101	9131111-101	Float (Includes fittings)
14	9131026-02	9131026-02	9131026-02	Caplug (Float Deflector)
15	9161076-02	9161076-02	9161076-02	Water Pump
	3012509-01	3012509-01	3012509-01	Water Pump Bracket
16	9021010-04	9021010-04	9021010-04	Clamp
17	9021010-04	9021010-04	9021010-04	Clamp
18	9051142-02	9051142-01	9051142-01	Water Pump Tube
19	3032898-26	3032898-26	3032898-26	Water Float Tubing (26 Inches required)
20	9091083-01	9091083-01	9091083-01	Water Inlet Fitting
21	9091074-01	9091074-01	9091074-01	Drop Adapter
22	9041105-02	9041105-02	9041105-02	<b>Purge Valve 9041086 Series is NLA</b>
	9041105-101	9041105-101	9041105-101	<b>Purgve Valve Mounting Brkt pre 2006 units</b>
23	9021010-04	9021010-04	9021010-04	Clamp
24	9051280-11	9051280-11	9051280-11	Purge Drain Hose
25	9021010-03	9021010-03	9021010-03	Clamp
26	9091140-01	9091140-01	9091140-01	Purge Drain Fitting





# ICE Series Service Parts

# Air Cooled and Top Air Discharge

Item No.	Model Number					Description
	ICE0250A	ICE0400A	ICE0406A	ICE0500A	ICE0606A	
1	9181121-11	9181121-11	9181126-11	9181124-11	1051189-01	Compressor Kit *See Note below
2	9151123-01	9151123-01	9151123-01	9151123-01	9151123-01	Hot Gas Valve Body
3	9151123-03	9151123-03	9151123-04	9151123-03	9151123-04	Hot Gas Valve Coil
4	9041104-101A	9041104-101A	9041104-101A	9041104-101A	9041104-101A	Low Pressure Control (Replaces 9041094-01)
5	9151163-01	9151163-01	9151163-01	9151163-01	9151163-01	Filter Drier (Replaces 9151004)
6	9091086-02	9091086-02	9091086-02	9091086-02	9091086-02	Service Valve Core
7	9091086-03	9091086-03	9091086-03	9091086-03	9091086-03	Service Valve Cap
8	9141106-01	9141106-01	9141106-01	9141120-01	9141120-01	Condenser
9	9041106-01	9041106-01	9041106-01	9041106-01	9041106-01	Fan Control ( <b>9041096-01 is NLA</b> )
10	9041091-01	9041091-01	9041091-01	9041091-01	9041091-01	High Pressure Control
11	9151154-101	9151149-101	9151149-101	9151149-101	9151151-101	Expansion Valve
12	3013112-01	3013112-01	3013112-01	3013112-01	3013112-01	Fan Shroud
13	9131332-02	9131332-02	9131332-02	9131332-02	9131332-02	Fan Blade for the 9161089 Fan Motor
	<b>9131383-01</b>	<b>9131383-01</b>	<b>9131383-01</b>	<b>9131383-01</b>	<b>9131383-01</b>	Fan Blade for 9161124 Fan motor
	<b>9161124-01</b>	<b>9161124-01</b>	<b>9161124-03</b>	<b>9161124-01</b>	<b>9161124-03</b>	<b>Fan Motor EM&amp;S Motor</b>
	<b>3013252-01</b>	<b>3013252-01</b>	<b>3013252-01</b>	<b>3013252-01</b>	<b>3013252-01</b>	Fan Mtr. Bracket for 9161124 Fan Motor
14	1051209-01	1051209-01		1051209-01		<b>Fan Motor 9161089-02 is NLA, AO Smith</b>
			1051209-03		1051209-03	<b>Fan Motor 9161089-03 is NLA, AO Smith</b>
15	3012527-01	3012527-01	3012527-01	3012527-01	3012527-01	Fan Motor Bracket for the 9161089 Fan Motor
16	9091136-01	9091136-01	9091136-01	9091136-01	N/A	Restrictor
17	9131332-02	9131332-02	9131332-02	9131332-02	9131332-02	Fan Blade (Top Air Discharge) <b>AO Smith Mtr</b>
18	3012725-01	3012725-01	3012725-01	3012725-01	3012725-01	Fan Shroud (Top Air Discharge)
	<b>1051209-01</b>	<b>1051209-01</b>		<b>1051209-01</b>		<b>Fan Motor 9161089-02 is NLA, AO Smith</b>
			<b>1051209-03</b>		<b>1051209-03</b>	<b>Fan Motor 9161089-03 is NLA, AO Smith</b>
20	3012527-01	3012527-01	3012527-01	3012527-01	3012527-01	Fan Motor Bracket (Top Air Discharge)
21	9041098-01	9041098-01	9041098-01	9041098-01	9041098-01	High Temperature Safety Control

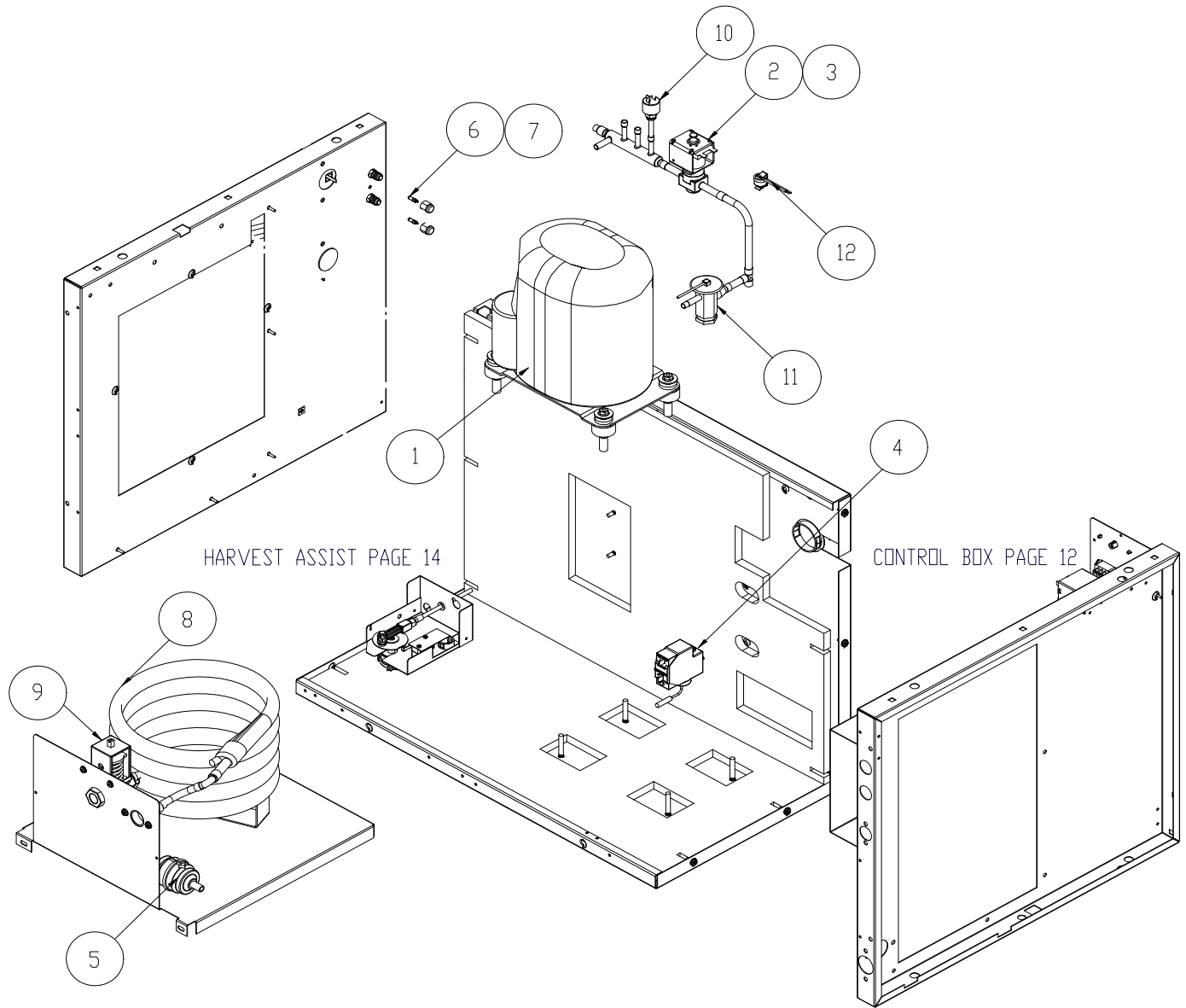
**9161078-01 is NLA, Replaced by 9161124-01**

\* Note ICE0606 Air Cooled Compressor 9181125-11 is NLA, Replaced by **1051189-01** (May 2012) **9181145-11**

Item No.	Model Number			Description
	ICE0305A	ICE0405A	ICE0605A	
1	9181127-11	9181127-11	1051190-01	Compressor Kit *See Note below
2	9151123-01	9151123-01	9151123-01	Hot Gas Valve Body
3	9151123-04	9151123-04	9151123-04	Hot Gas Valve Coil
4	9041104-101A	9041104-101A	9041104-101A	Low Pressure Control (Replaces 9041094-01)
5	9151163-01	9151163-01	9151163-01	Filter Drier (Replaces 9151004)
6	9091086-02	9091086-02	9091086-02	Service Valve Core
7	9091086-03	9091086-03	9091086-03	Service Valve Cap
8	9141106-01	9141106-01	9141120-01	Condenser
9	9041106-01	9041106-01	9041106-01	Fan Control ( <b>9041096-01 is NLA</b> )
10	9041091-01	9041091-01	9041091-01	High Pressure Control
11	9151154-101	9151149-101	9151151-101	Expansion Valve
12	3013112-01	3013112-01	3013112-01	Fan Shroud
13	9131383-01	9131383-01	9131383-01	Fan Blade
14	<b>9161124-02</b>	<b>9161124-02</b>	<b>9161124-02</b>	<b>Fan Motor 9161078-02 is NLA</b>
15	2021612-01	2021612-01	3013109-01	Fan Motor Bracket
16	N/A	9091136-01	N/A	Restrictor
17	N/A	N/A	N/A	Fan Blade (Top Air Discharge)
18	N/A	N/A	N/A	Fan Shroud (Top Air Discharge)
19	N/A	N/A	N/A	Fan Motor (Top Air Discharge)
20	N/A	N/A	N/A	Fan Motor Bracket (Top Air Discharge)
21	9041098-01	9041098-01	9041098-01	High Temperature Safety Control

**9161078-02 is NLA, Replaced by 9161124-02**

\* Note ICE0605 Air Cooled Compressor 9181128-11 is NLA, Replaced by **1051190-01** (May 2012) **9181147-11**

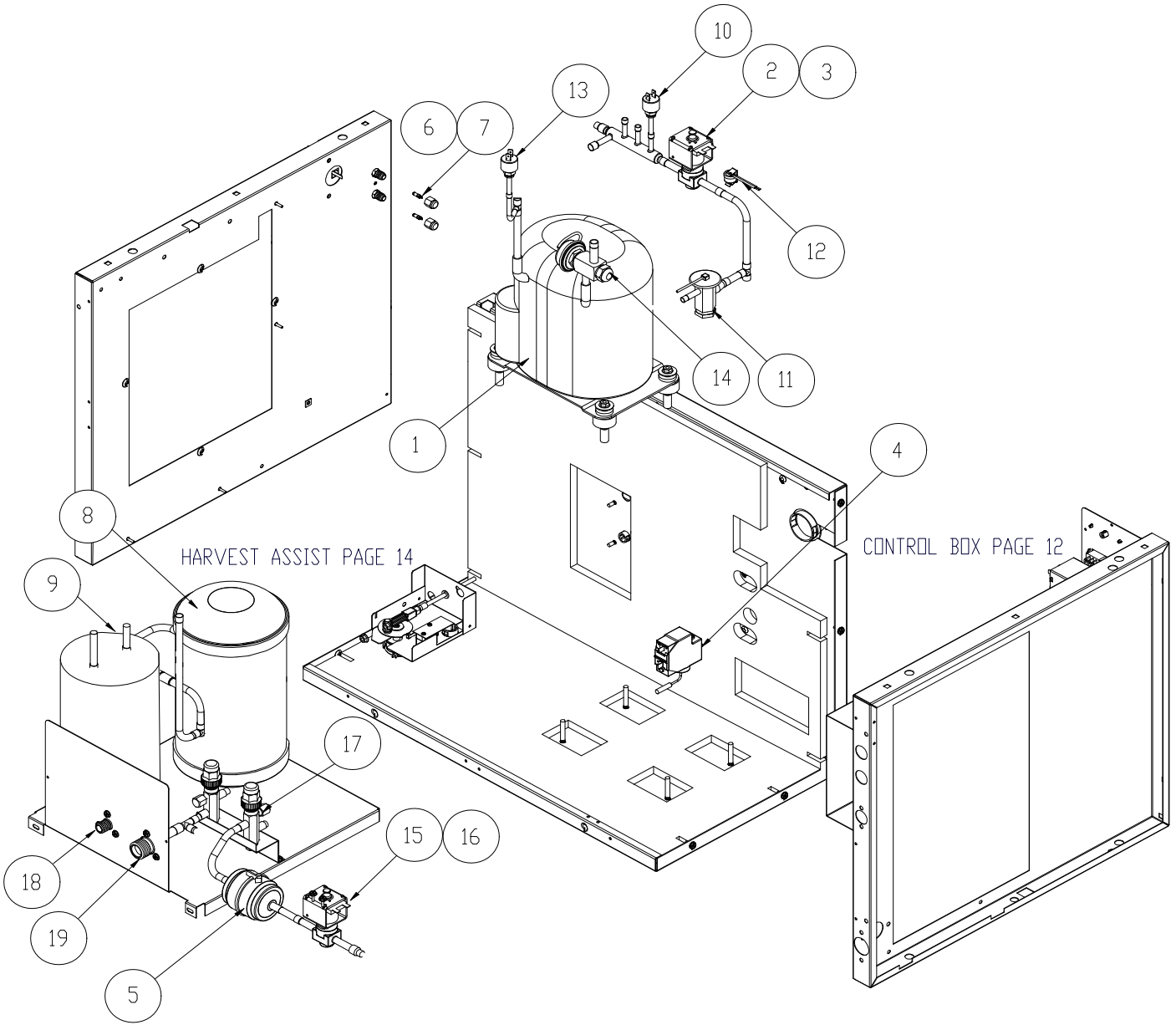


Item No.	Model Number					Description
	ICE0250W	ICE0400W	ICE0406W	ICE0500W	ICE0606W	
1	9181121-11	9181121-11	9181126-11	9181124-11	1051189-01	Compressor Kit *See Note below
2	9151123-01	9151123-01	9151123-01	9151123-01	9151123-01	Hot Gas Valve Body
3	9151023-03	9151023-03	9151123-04	9151023-03	9151123-04	Hot Gas Valve Coil
4	9041104-101A	9041104-101A	9041104-101A	9041104-101A	9041104-101A	Low Pressure Control (Replaces 9041094-01)
5	9151163-01	9151163-01	9151163-01	9151163-01	9151163-01	Filter Drier (Replaces 9151004)
6	9091086-02	9091086-02	9091086-02	9091086-02	9091086-02	Service Valve Core
7	9091086-03	9091086-03	9091086-03	9091086-03	9091086-03	Service Valve Cap
8	9141061-01	9141023-01	9141023-01	9141024-01	9141024-01	Condenser
9	9041059-01	9041059-01	9041059-01	9041059-01	9041059-01	Water Valve
10	9041091-01	9041091-01	9041091-01	9041091-01	9041091-01	High Pressure Control
11	9151154-101	9151149-101	9151149-101	9151149-101	9151151-101	Expansion Valve
12	9041098-01	9041098-01	9041098-01	9041098-01	9041098-01	High Temperature Safety Control

\* Note ICE0606 Water Cooled Compressor 9181125-11 is NLA, Replaced by **1051189-01** (May 2012) **9151145-11**

Item No.	Model Number			Description
	ICE0305W	ICE0405W	ICE0605W	
1	9181127-11	9181127-11	1051190-01	Compressor Kit *See Note below
2	9151123-01	9151123-01	9151123-01	Hot Gas Valve Body
3	9151123-04	9151123-04	9151123-04	Hot Gas Valve Coil
4	9041104-101A	9041104-101A	9041104-101A	Low Pressure Control (Replaces 9041094-01)
5	9151163-01	9151163-01	9151163-01	Filter Drier (Replaces 9151004)
6	9091086-02	9091086-02	9091086-02	Service Valve Core
7	9091086-03	9091086-03	9091086-03	Service Valve Cap
8	9141061-01	9141023-01	9141024-01	Condenser
9	9041059-01	9041059-01	9041059-01	Water Valve
10	9041091-01	9041091-01	9041091-01	High Pressure Control
11	9151154-101	9151149-101	9151149-101	Expansion Valve
12	9041098-01	9041098-01	9041098-01	High Temperature Safety Control

\* Note ICE0605 Water Cooled Compressor 9181128-11 is NLA, Replaced by **1051190-01** (May 2012) **9181147-11**

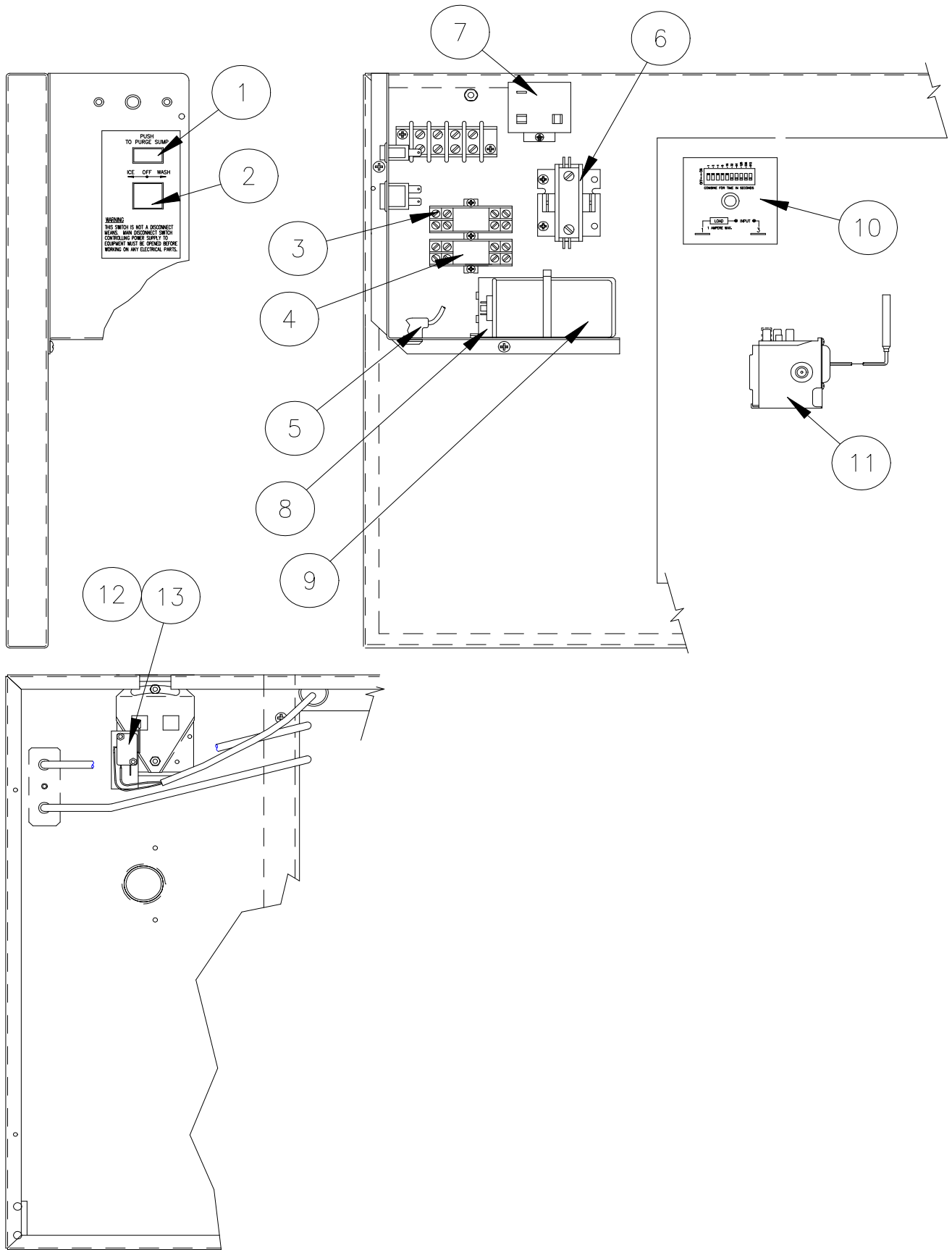


Item No.	Model Number					Description
	ICE0250	ICE0400	ICE0406	ICE0500R	ICE0606R	
1	N/A	N/A	N/A	9151124-11	1051189-01	Compressor Kit *See Note below
2	N/A	N/A	N/A	9151123-01	9151123-01	Hot Gas Valve Body
3	N/A	N/A	N/A	9151123-03	9151123-04	Hot Gas Valve Coil
4	N/A	N/A	N/A	9041104-101A	9041104-101A	Low Pressure Control (Replaces 9041094-01)
5	N/A	N/A	N/A	9151163-03	9151163-03	Filter Drier (Replaces 9151004)
6	N/A	N/A	N/A	9091086-02	9091086-02	Service Valve Core
7	N/A	N/A	N/A	9091086-03	9091086-03	Service Valve Cap
8	N/A	N/A	N/A	9151074-01	9151074-01	Receiver
9	N/A	N/A	N/A	2091204-01	N/A	Accumulator
10	N/A	N/A	N/A	9041091-01	9041091-01	High Pressure Control
11	N/A	N/A	N/A	9151149-101	9151151-101	Expansion Valve
12	N/A	N/A	N/A	9041098-01	9041098-01	High Temperature Safety Control
13	N/A	N/A	N/A	9041092-02	9041092-02	Pump Down Control
14	N/A	N/A	N/A	9151146-01	N/A	CPR Valve (9151086-01 is NLA)
15	N/A	N/A	N/A	9151123-02	9151123-02	Liquid Line Solenoid Body
16	N/A	N/A	N/A	9151123-03	9151123-04	Liquid Line Solenoid Coil
17	N/A	N/A	N/A	9091137-01	9091137-01	Valve-Shut Off
18	N/A	N/A	N/A	9091001-11	9091001-11	Remote Fitting 3/8 Male
19	N/A	N/A	N/A	9091001-12	9091001-12	Remote Fitting 1/2 Male
20	N/A	N/A	N/A	9151139-01	9151139-01	Check Valve

\* Note ICE0606 Remote Cooled Compressor 9181125-11 is NLA, Replaced by **1051189-01** (May 2012) **9151145-11**

Item No.	Model Number			Description
	ICE0305	ICE0405	ICE0605R	
1	N/A	N/A	1051190-01	Compressor Kit *See Note below
2	N/A	N/A	9151123-01	Hot Gas Valve Body
3	N/A	N/A	9151123-04	Hot Gas Valve Coil
4	N/A	N/A	9041104-101A	Low Pressure Control (Replaces 9041094-01)
5	N/A	N/A	9151163-03	Filter Drier (Replaces 9151004)
6	N/A	N/A	9091086-02	Service Valve Core
7	N/A	N/A	9091086-03	Service Valve Cap
8	N/A	N/A	9151074-01	Receiver
9	N/A	N/A	N/A	Accumulator
10	N/A	N/A	9041091-01	High Pressure Control
11	N/A	N/A	9151149-101	Expansion Valve
12	N/A	N/A	9041098-01	High Temperature Safety Control
13	N/A	N/A	9041092-02	Pump Down Control
14	N/A	N/A	N/A	Crankcase Pressure Regulator
15	N/A	N/A	9151123-02	Liquid Line Solenoid Body
16	N/A	N/A	9151123-04	Liquid Line Solenoid Coil
17	N/A	N/A	9091137-01	Valve-Shut Off
18	N/A	N/A	9091001-11	Remote Fitting 3/8 Male
19	N/A	N/A	9091001-12	Remote Fitting 1/2 Male
20	N/A	N/A	9151139-01	Check Valve

\* Note ICE0605 Remote Cooled Compressor 9181128-11 is NLA, Replaced by **1051190-01** (May 2012) **9181147-11**



# ICE Series Service Parts

# Control Box

Item No.	Model Number					Description
	ICE0250	ICE0400	ICE0406	ICE0500	ICE0606	
1	1051208-01	1051208-01	1051208-01	1051208-01	1051208-01	Purge Switch <b>9101139-03 is NLA</b>
2	9101349-01	9101349-01	9101349-01	9101349-01	9101349-01	ON-OFF-WASH Switch <b>9101195-01 is NLA</b>
3	9101083-01	9101083-01	9101083-01	9101083-01	9101083-01	Relay Socket
4	9101084-01	9101084-01	9101084-02	9101084-01	9101084-02	Relay
5	9101218-12	9101218-12	9101218-12	9101218-12	9101218-12	Water Pump Cord
6	9101002-07	9101002-07	9101002-06	9101002-07	9101002-06	Contactor
7	See Below	See Below	See Below	See Below	See Below	Compressor Start Relay
8	See Below	See Below	See Below	See Below	See Below	Start Capacitor
9	N/A	N/A	See Below	See Below	See Below	Run Capacitor
10	9101148-01	9101148-01	9101148-01	9101148-01	9101148-01	Timer
11	9041104-101A	9041104-101A	9041104-101A	9041104-101A	9041104-101A	Low Pressure Control (Replaces 9041094-01)
12	2061471-03	2061471-03	2061471-03	2061471-03	2061471-03	Curtain Switch Assembly
13	9101124-02	9101124-02	9101124-02	9101124-02	9101124-02	Curtain Switch

Item No.	ICE0305	ICE0405	ICE0605	Description
1	1051208-01	1051208-01	1051208-01	Purge Switch <b>9101139-03 is NLA</b>
2	9101349-01	9101349-01	9101349-01	ON-OFF-WASH Switch <b>9101195-01 is NLA</b>
3	9101083-01	9101083-01	9101083-01	Relay Socket
4	9101084-02	9101084-02	9101084-02	Relay
5	9101218-12	9101218-12	9101218-12	Water Pump Cord
6	9101002-06	9101002-06	9101002-06	Contactor
7	See Below	See Below	See Below	Compressor Start Relay
8	See Below	See Below	See Below	Start Capacitor
9	N/A	N/A	See Below	Run Capacitor
10	9101148-01	9101148-01	9101148-01	Timer
11	9041104-101A	9041104-101A	9041104-101A	Low Pressure Control (Replaces 9041094-01)
12	2061471-03	2061471-03	2061471-03	Curtain Switch Assembly
13	9101124-02	9101124-02	9101124-02	Curtain Switch

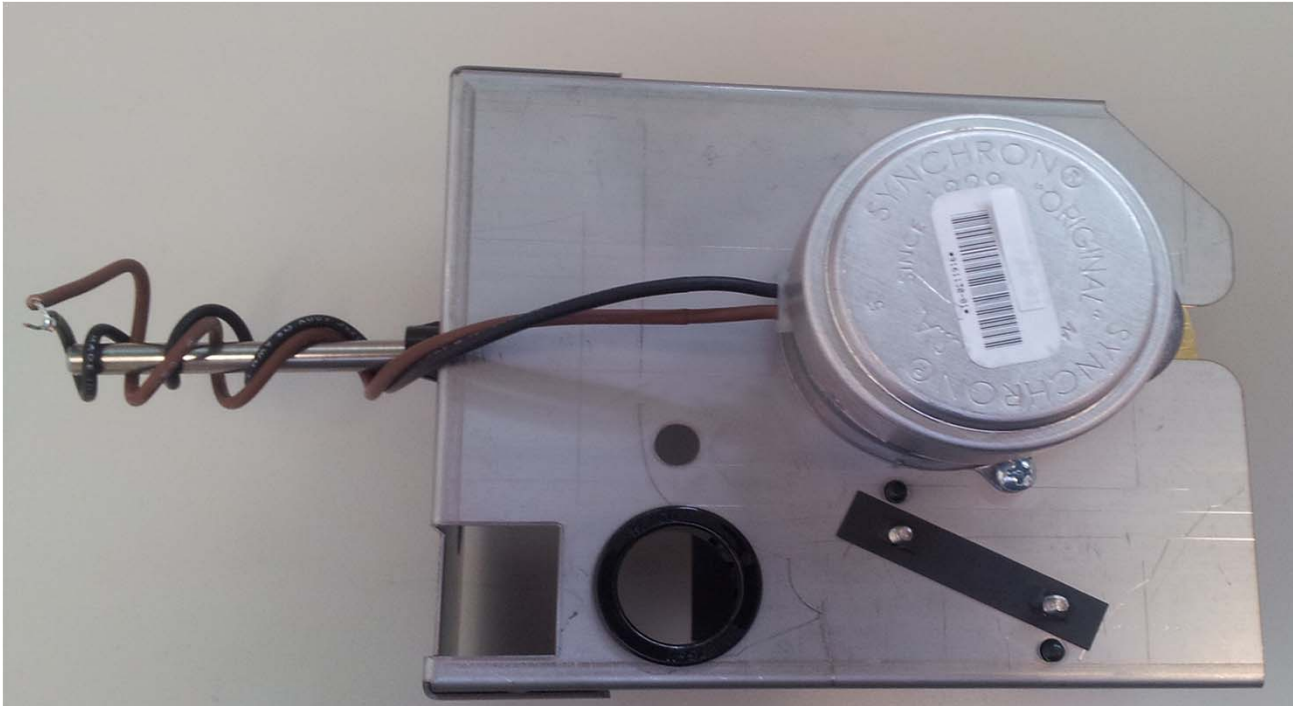
### Compressor Components-Check the Compressor Model Number for correct start components

ICE0250	ICE0400	ICE0406	ICE0500	ICE0606	Description
9181121-01	9181121-01	9181126-01	9181124-01	<b>9181125-01</b>	Compressor ( <b>Replaced by 1051189-01</b> )
9181005-37	9181005-37	9181005-44	9181005-43	<b>Internal</b>	Overload
9181004-27	9181004-27	9181010-29	9181010-28	<b>9181010-10</b>	Relay
9181003-39	9181003-39	9181003-45	9181003-40	<b>9181003-19</b>	Start Capacitor
N/A	N/A	9181009-08	9181009-11	<b>9181009-16</b>	Run Capacitor

ICE0305	ICE0405	ICE0605	Description
9181127-01	9181127-01	<b>9181128-01</b>	Compressor ( <b>Replaced by 1051190-01</b> )
9181005-44	9181005-44	<b>Internal</b>	Overload
9181010-30	9181010-30	<b>9181010-10</b>	Relay
9181003-45	9181003-45	<b>9181003-44</b>	Start Capacitor
9181009-08	9181009-08	<b>9181009-17</b>	Run Capacitor

<p>Compressor <b>9181125-11</b> is NLA Replaced by <b>1051189-01</b> which includes compressor PN <b>9181145-11</b></p> <p><b>9181125-11 = CS08KQE-PFV-255</b></p> <p><b>9181145-11 = RST70C1E-PFV</b></p>	ICE0606	Description
	<b>9181145-11</b>	Compressor ( 9181145-11)
	<b>Internal</b>	Overload
	<b>9181010-27</b>	Relay
	<b>9181003-53</b>	Start Capacitor
	<b>9181009-19</b>	Run Capacitor

<p>Compressor <b>9181128-11</b> is NLA Replaced by <b>1051190-01</b> which includes compressor PN <b>9181147-11</b></p> <p><b>9181128-11 = CS08KQE-PFZ-255</b></p> <p><b>9181147-11 = RST80C1E-PFZ</b></p>	ICE0605	Description
	<b>9181147-11</b>	Compressor ( 9181147-11)
	<b>Internal</b>	Overload
	<b>9181010-01</b>	Relay
	<b>9181003-54</b>	Start Capacitor
	<b>9181009-17</b>	Run Capacitor



**1051210-XXA** Reference Page 15 for Specific Model Number and Part Number

- The **1051210-XXA** assembly will fit all ICE Models from October 1999 and EC Models.
- Units installed with a double cam switch, either Field installed or Factory installed will require the complete assembly and a potential wiring change as per the New Wiring Diagram included with the assembly.
- Individual component parts are not available for the **1051210-XXA** assembly.
- Individual component parts are No Longer Available for previous version of the Harvest Assist Assembly
- Parts for the **2061962-XX** Harvest Assist Assembly are not compatible with **1051210-XXA** Harvest Assist Assembly.
- Proper assembly and alignment of the parts is critical to proper operation, this includes cam and probe alignment.
- If a **1051210-XXA** assembly fails, it must be returned to Ice-O-Matic.



# ICE Series Service Parts

# Harvest Assist Assembly

Reference the Model Numbers below for the specific Harvest Assist Assembly

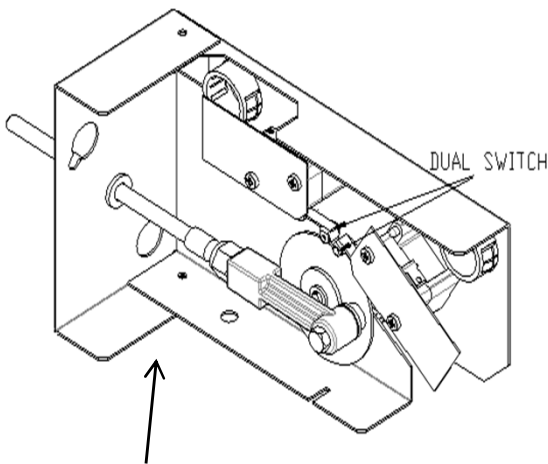
Item No.	Model Number					Description
	ICE0250	ICE0400	ICE0406	ICE0500	ICE0606	
1	1051210-01A	1051210-01A	1051210-02A	1051210-01A	1051210-02A	Complete Assembly
	2061962-01S	2061962-01S	2061962-02S	2061962-01S	2061962-02S	No Longer Available

Item No.	ICE0305	ICE0405	ICE0605	Description
	1	1051210-02A	1051210-02A	
	2061962-02S	2061962-02S	2061962-02S	No Longer Available

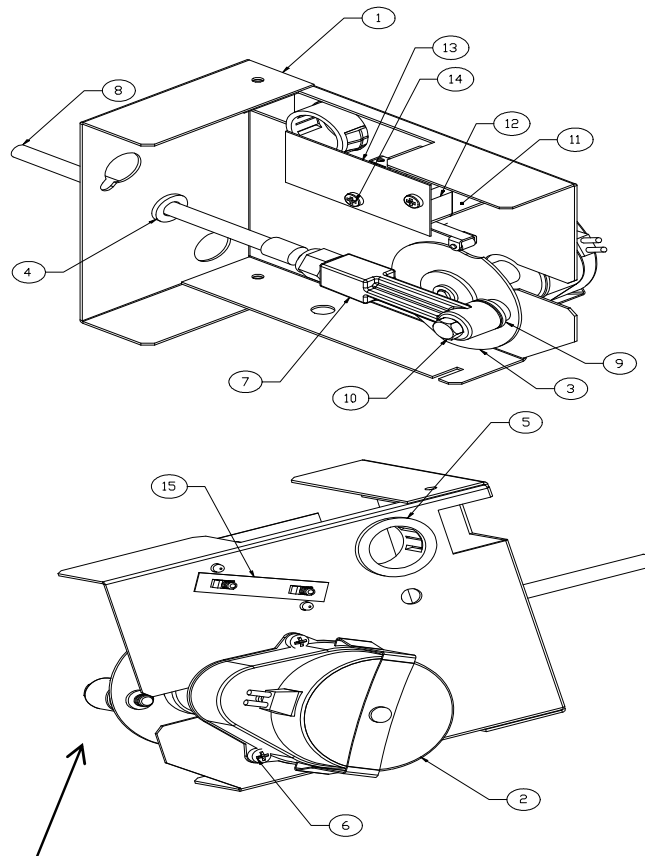
1051210-XXA are only supplied as complete assemblies, individual components are not available.

Please reference the above Model Numbers to insure the correct assembly is supplied

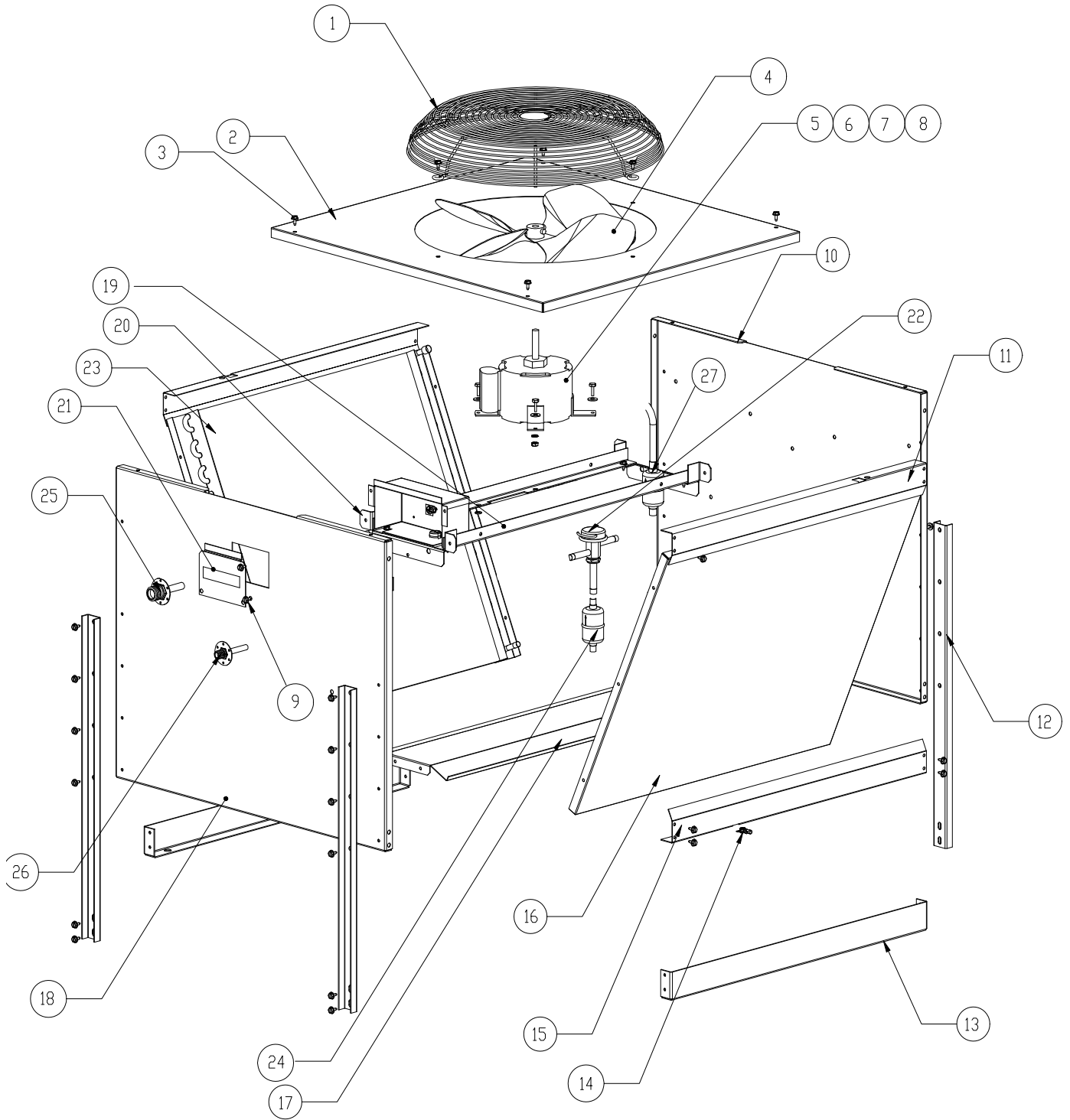
**THE DUAL CAM SWITCH HARVEST ASSIST ASSEMBLIES ARE NO LONGER AVAILABLE**



1051199-01	No Longer Available
1051200-01	No Longer Available
1051201-01	No Longer Available
1051202-01	No Longer Available
1051207-01	No Longer Available



2061962-01S	No Longer Available
2061962-02S	No Longer Available



Item No.	Model Number		Description
	VRC1001	VRC1061	
1	9131452-01	9131452-01	Fan Guard
2	3013222-01	3013222-01	Top Panel
3	9031019-04	9031019-04	¼-20 x 1/2 Screw
4	9131451-01	9131451-01	Fan Blade
5	9161117-02	9161117-01	Fan Motor
6	9031001-02	9031001-02	¼-20 x ¾ Cap Screw
7	9031003-01	9031003-01	Flat Washer
8	9031118-02	9031118-02	Flanged Lock Nut ¼-20
9	9031019-04	9031019-04	¼-20 x 1/2 Screw
10	3013224-01	3013224-01	Rear Panel
11	3013226-01	3013226-01	Brace
12	3013227-01	3013227-01	Leg
13	3013228-01	3013228-01	Leg Brace
14	N/A	N/A	T-Nut-Shipping Only
15	3013226-01	3013226-01	Brace
16	3013232-01	3013232-01	Cover Panel
17	3013225-01	3013225-01	Center Panel
18	3013223-01	3013223-01	Front Panel
19	3013234-01	3013234-01	Motor Brace
20	3013233-01	3013233-01	Motor Brace Support
21	3013229-01	3013229-01	Junction Box Cover
22	9151142-02	9151142-02	Head Pressure Control Valve
23	9141135-01	9141135-01	Condenser
24	9151143-01	9151143-01	Filter
25	9091001-12	9091001-12	1/2 Coupling
26	9091001-11	9091001-11	3/8 Coupling
27	9151143-02	9151143-02	Filter

ICE0500R    ICE0606R  
 ICE0605R