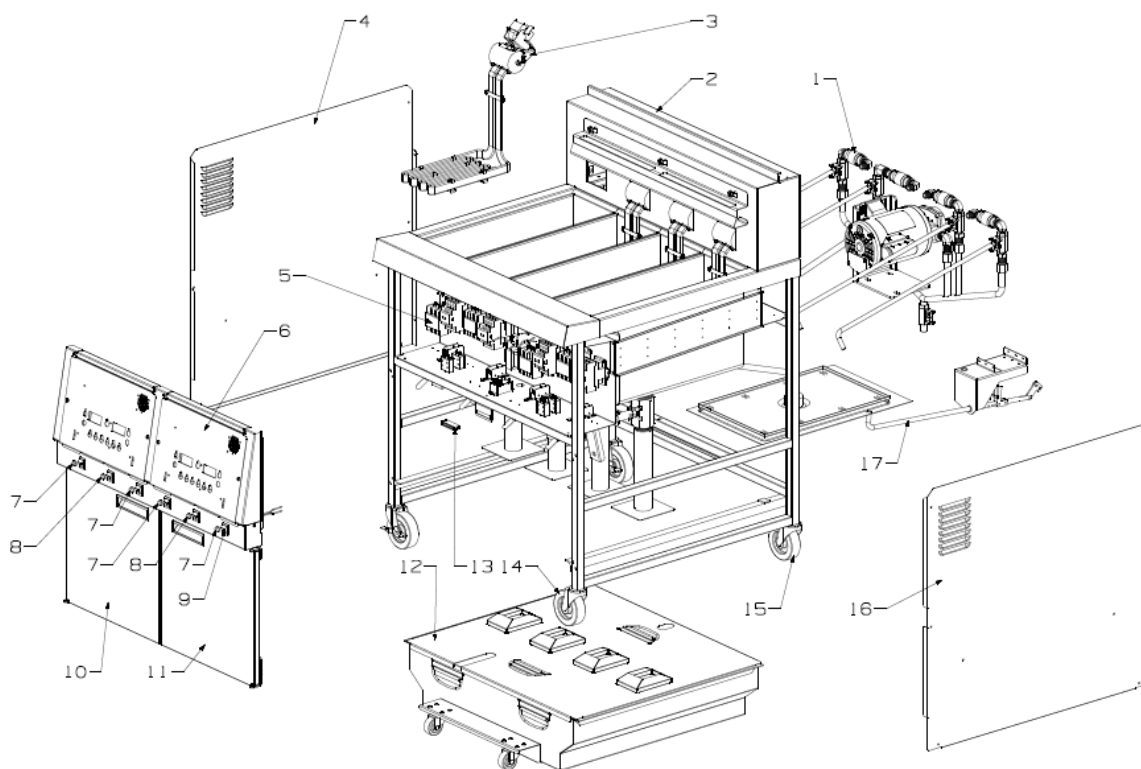


## 第四部份. 零件清单

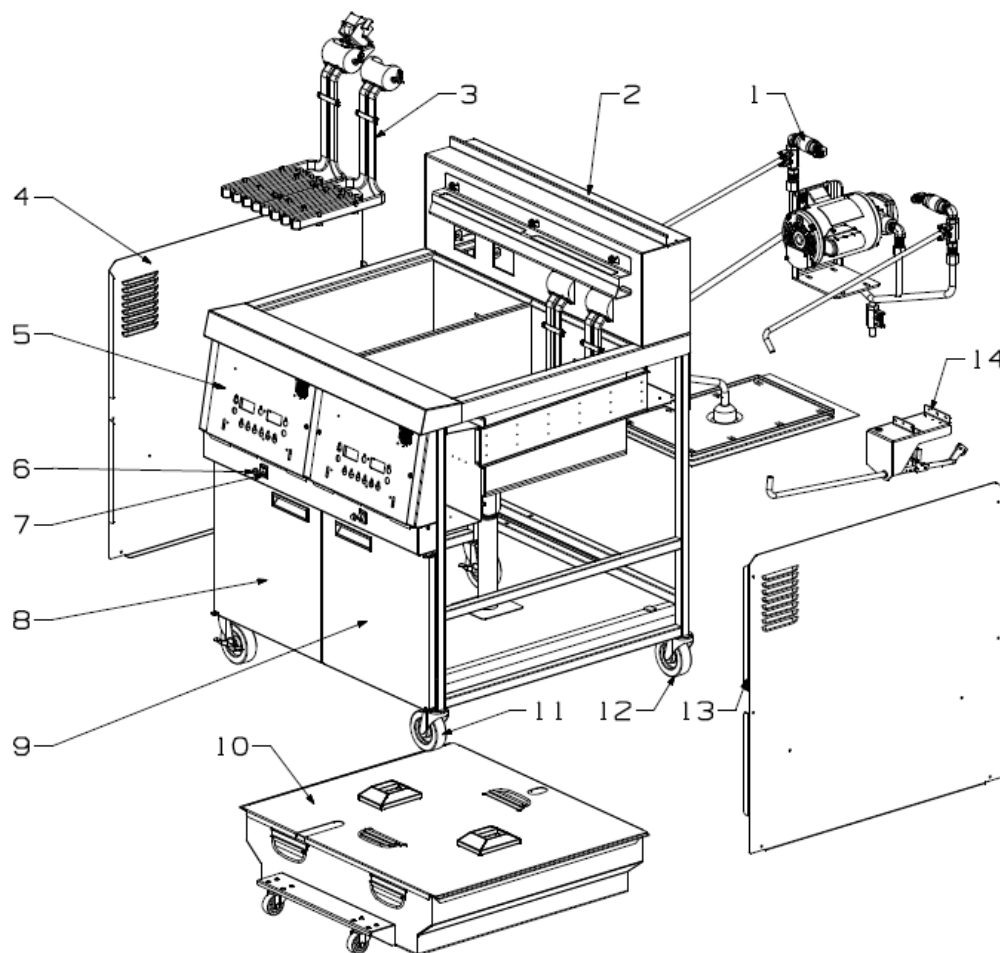
### 4-1 总装配 OFE142 分槽



ITEM	PART NUMBER	DESCRIPTION	QUANTITY
1	95896	PIPING SYSTEM	1
2	93654	ASSY-POT AND ENCLOSURE	1
B/3	91632	ASSY-SPLIT ELEMENT & HUB	4
4	92223	PANEL-LH SIDE	1
5	85957	ELECTRICAL PARTS ASSY	1
A/6	140281	KIT-14X C1500 CONTROL ASSY (SN: BF1304003&after)	2
A/6	140284	KIT-14X C1000 CONTROL ASSY (before SN: BF1304003)	2
B/7	38503	LIGHT-INDICATOR 28V	4
B/8	16624	LIGHT - INDICATOR - 250V	2
A/9	52224	COVERED POWER SWITCH	6
10	84842	ASSY-LH DOOR OFE-142	1
11	84843	ASSY-RH DOOR OFE-142	1
12	92171	ASSY-DRAIN PAN-OFE142	1
13	17002	MAGNET	1
14	52064	CASTER 4" SWIVEL W/BRAKE	2
15	60312	CASTER 4 SWIVEL W-O BRAKE	2
16	92196	PANEL-RH SIDE	1
17	93926	ROD ASSY-FULL VAT GPS	1

Recommend Parts: A=Truck Stock, B=Dist. Stock

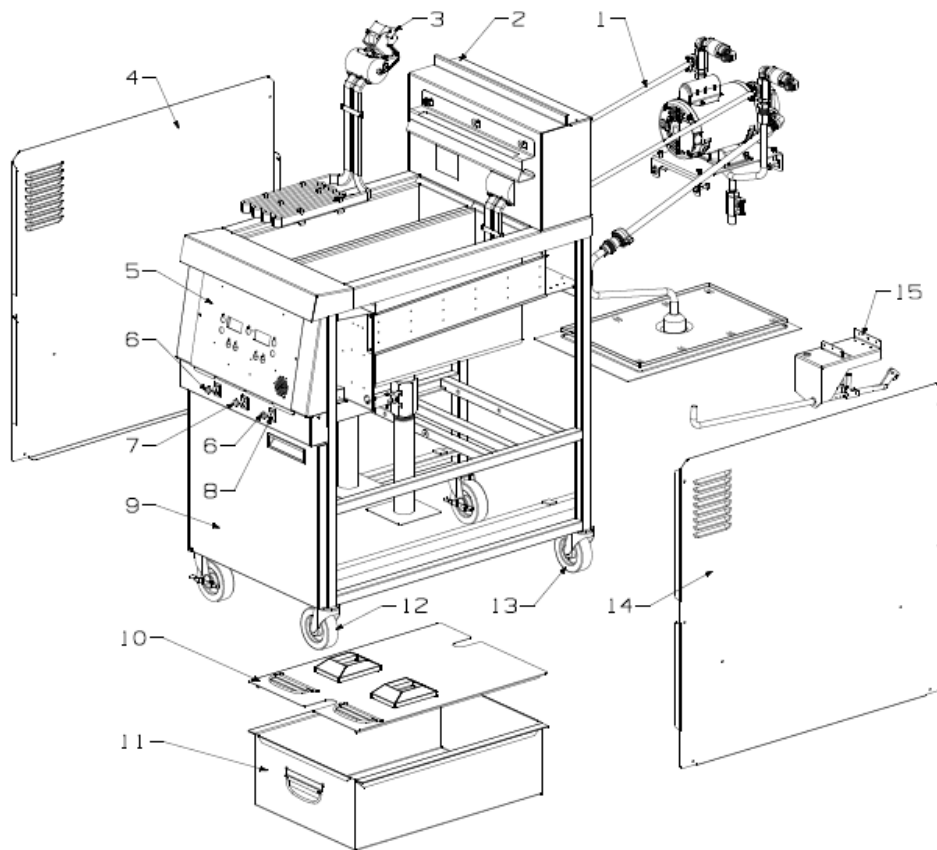
## 4-2 总装配 OFE142 全槽



ITEM	PART NUMBER	DESCRIPTION	QUANTITY
1	95785	PIPING SYSTEM	1
2	93631	ASSY-POT AND ENCLOSURE	2
B/3	89184	ASSY-FULL ELEMENT & HUB	2
4	92223	PANEL-LH SIDE	1
A/5	140281	KIT-14X C1500 CONTROL ASSY (SN: BF1304003&after)	2
A/5	140284	KIT-14X C1000 CONTROL ASSY (before SN: BF1304003)	2
B/6	16624	LIGHT - INDICATOR - 250V	2
B/7	52224	COVERED POWER SWITCH	2
8	84842	ASSY-LH DOOR OFE-142	1
9	84843	ASSY-RH DOOR OFE-142	1
10	91628	ASSY-DRAIN PAN-142F	1
11	52064	CASTER 4" SWIVEL W/BRAKE	2
12	60312	CASTER 4 SWIVEL W-O BRAKE	2
13	92196	PANEL-RH SIDE	1
14	93926	ROD ASSY-FULL VAT GPS	1

Recommend Parts: A=Truck Stock, B=Dist. Stock

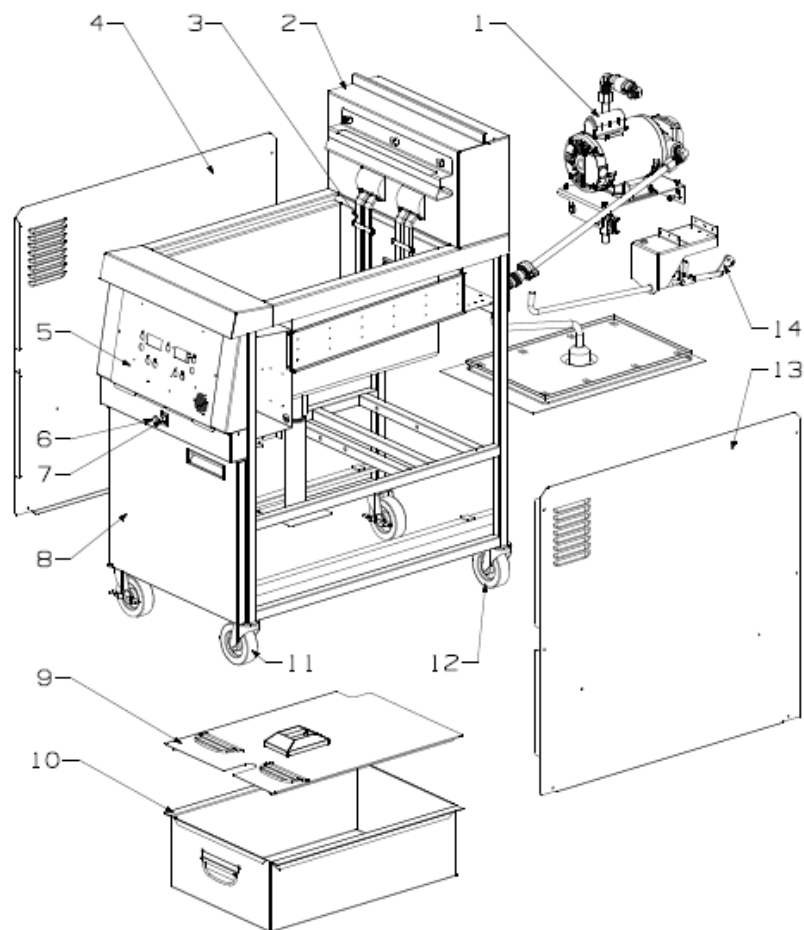
## 4-3 总装配 OFE141 分槽



ITEM	PART NUMBER	DESCRIPTION	QUANTITY
1	93978	PIPING SYSTEM-SPLIT VAT GDS	1
2	88758	POT ASSY-OFE141 SPLIT	1
B/3	91632	ASSY-SPLIT ELEMENT & HUB	2
4	92223	PANEL-LH SIDE	1
A/5	140281	KIT-14X C1500 CONTROL ASSY (SN: BF1304003&after)	1
A/5	140284	KIT-14X C1000 CONTROL ASSY (before SN: BF1304003)	1
B/6	38503	LIGHT-INDICATOR 28V	2
B/7	16624	LIGHT - INDICATOR - 250V	1
B/8	52224	COVERED POWER SWITCH	3
9	88697	ASSY-DOOR OFE-141	1
10	88804	WELD ASSY-DRAIN PAN COVER	1
11	88734	WELD ASSY-DRAIN PAN	1
12	52064	CASTER 4" SWIVEL W/BRAKE	2
13	60312	CASTER 4 SWIVEL W-O BRAKE	2
14	92196	PANEL-RH SIDE	1
15	93926	ROD ASSY-FULL VAT GPS	1

Recommend Parts: A=Truck Stock, B=Dist. Stock

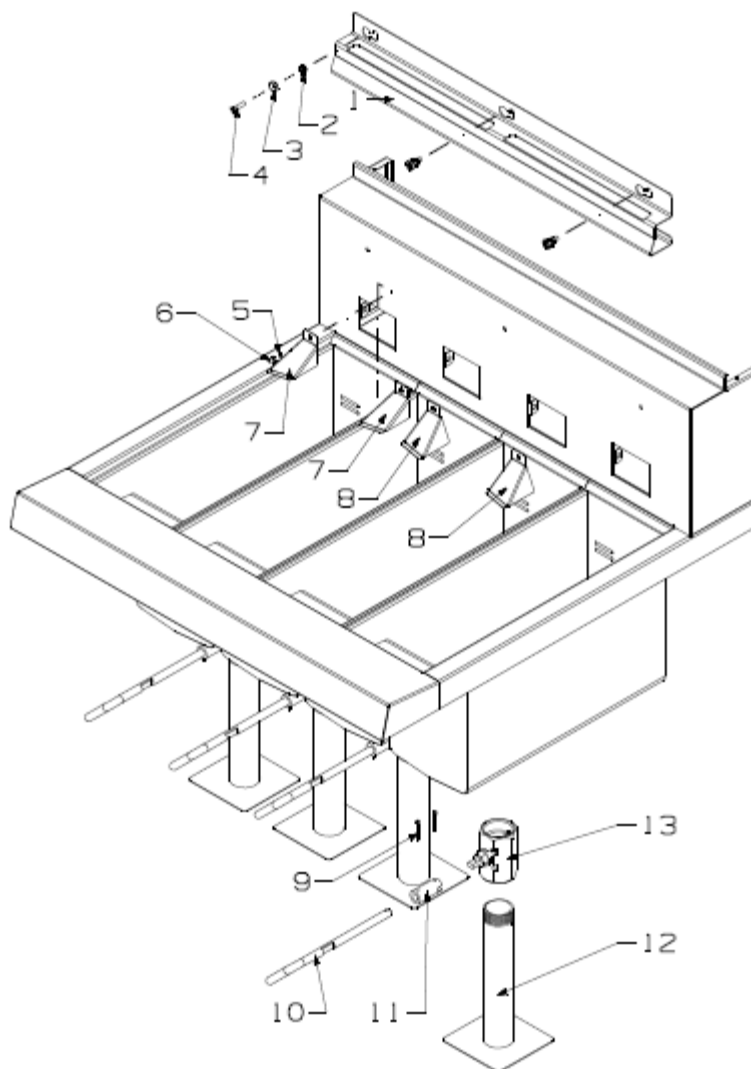
## 4-4 总装配 OFE141 全槽



ITEM	PART NUMBER	DESCRIPTION	QUANTITY
1	93887	PIPING SYSTEM-FULL VAT GPS	1
2	88736	POT ASSY-OFE141 FULL	1
B/3	89184	ASSY-FULL ELEMENT & HUB	1
4	92223	PANEL-LH SIDE	1
A/5	140281	KIT-14X C1500 CONTROL ASSY (SN: BF1304003&after)	1
A/5	140284	KIT-14X C1000 CONTROL ASSY (before SN: BF1304003)	1
B/6	16624	LIGHT - INDICATOR - 250V	1
B/7	52224	COVERED POWER SWITCH	1
8	88697	ASSY-DOOR OFE-141	1
9	88731	WELD ASSY-DRAIN PAN COVER	1
10	88734	WELD ASSY-DRAIN PAN	1
11	52064	CASTER 4" SWIVEL W/BRAKE	2
12	60312	CASTER 4 SWIVEL W-O BRAKE	2
13	92196	PANEL-RH SIDE	1
14	93926	ROD ASSY-FULL VAT GPS	1

Recommend Parts: A=Truck Stock, B=Dist. Stock

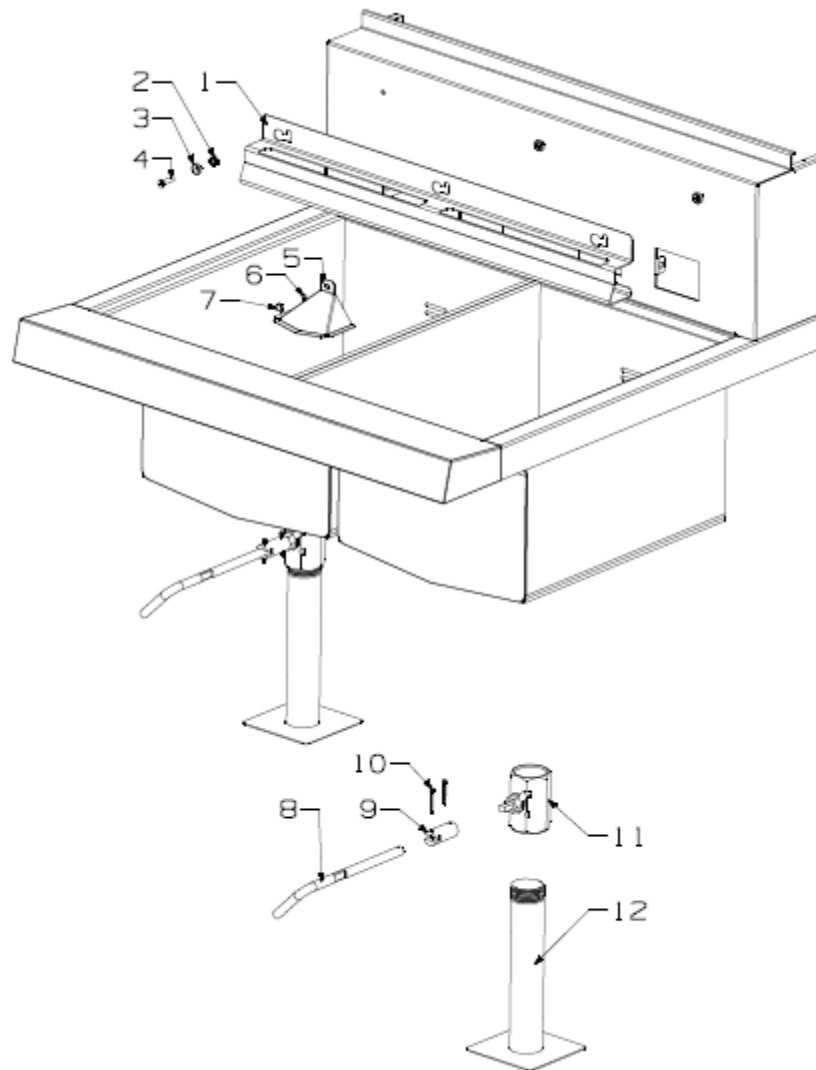
## 4-5 锅桶组件-OFE142 分槽



ITEM	PART NUMBER	DESCRIPTION	QUANTITY
1	95809	HANGER-BASKET	1
2	NS02-002	NUT KEPS 1/4-20 C	3
3	95807	SPACER-HANGER	3
4	SC01-068	SCREW 1/4-20 X 1 PH FHD S	3
5	LW01-012	#10 SPLIT RING SS	4
6	NS03-030	NUT #10-32 ACORN	4
7	157422-002	FORM-HOOD OIL DIVERTER-LEFT	2
8	157356-002	FORM-HOOD OIL DIVERTER-RIGHT	2
9	17255	PIN-COTTER	8
10	91348	ROD-NORMALLY OPEN DRAIN	4
11	55142	COUPLING - DRAIN VALVE	4
12	91304	WELD ASSY-E142 DRAIN EXT SQ	4
B/13	17261	VALVE DRAIN BODY ONLY	4

Recommend Parts: A=Truck Stock, B=Dist. Stock

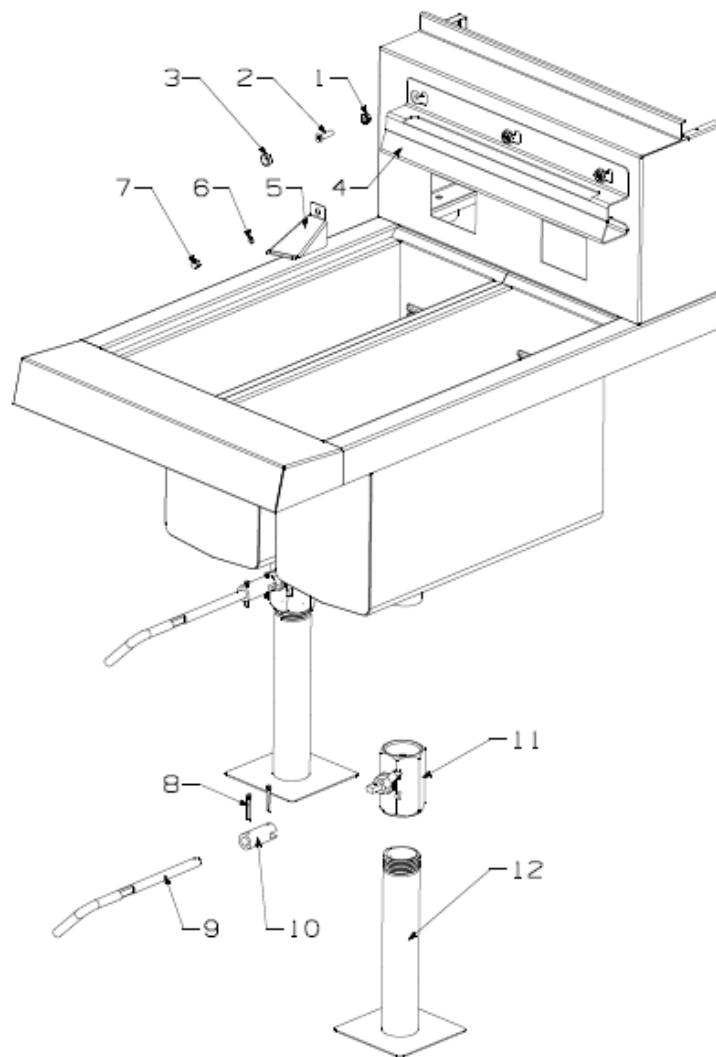
## 4-6 锅桶组件-OFE142 全槽



ITEM	PART NUMBER	DESCRIPTION	QUANTITY
1	95809	HANGER-BASKET	1
2	NS02-002	NUT KEPS 1/4-20 C	3
3	95807	SPACER-HANGER	3
4	SC01-068	SCREW 1/4-20 X 1 PH FHD S	3
5	157339-002	FORM-HOOD-OIL DIVERTER	2
6	LW01-012	#10 SPLIT RING SS	2
7	NS03-030	NUT #10-32 ACORN	2
8	91348	ROD-NORMALLY OPEN DRAIN	2
9	55142	COUPLING - DRAIN VALVE	2
10	17255	PIN-COTTER	4
B/11	17261	VALVE DRAIN BODY ONLY	2
12	91304	WELD ASSY-E142 DRAIN EXT SQ	2

Recommend Parts: A=Truck Stock, B=Dist. Stock

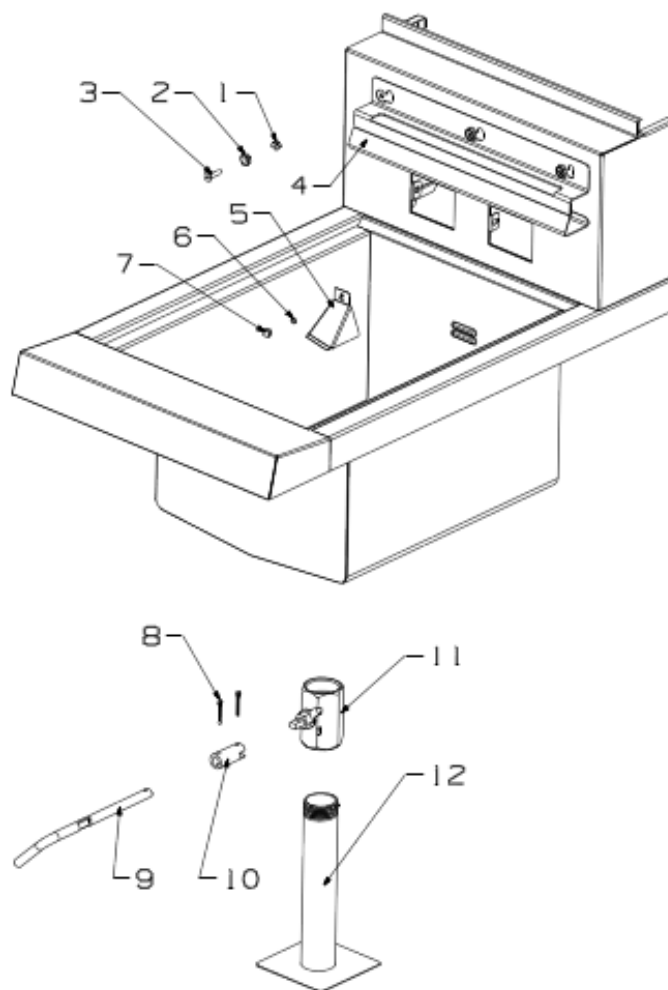
## 4-7 锅桶组件-OFE141 分槽



ITEM	PART NUMBER	DESCRIPTION	QUANTITY
1	NS02-002	NUT KEPS 1/4-20 C	3
2	95807	SPACER-HANGER	3
3	SC01-068	SCREW 1/4-20 X 1 PH FHD S	3
4	96342	HANGER-BASKET 141	1
5	157422-002	HOOD-OIL DIVERTER LEFT	2
6	LW01-012	#10 SPLIT RING SS	2
7	NS03-030	NUT #10-32 ACORN	2
8	17255	PIN-COTTER	4
9	91348	ROD-NORMALLY OPEN DRAIN	2
10	55142	COUPLING - DRAIN VALVE	2
B/11	17261	VALVE DRAIN BODY ONLY	2
12	91304	WELD ASSY-E142 DRAIN EXT SQ	2

Recommend Parts: A=Truck Stock, B=Dist. Stock

## 4-8 锅桶组件-OFE141 全槽

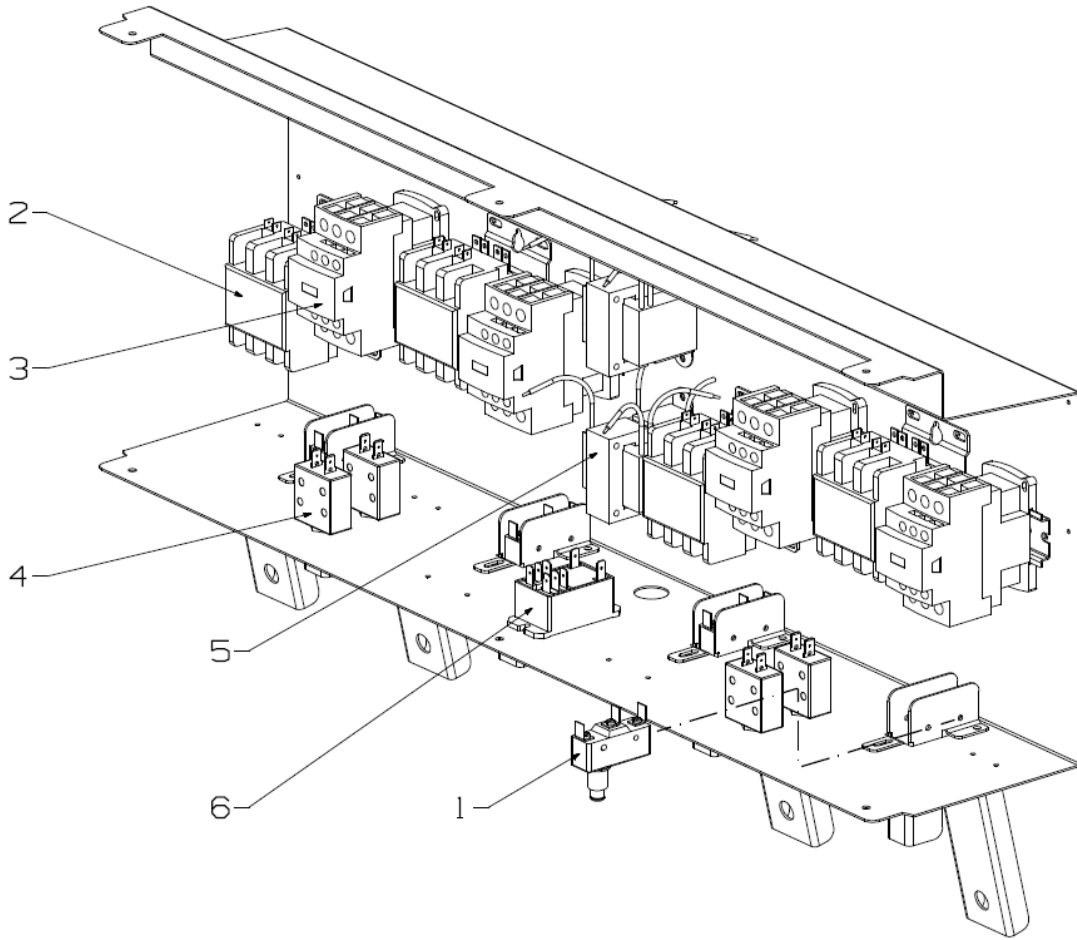


ITEM	PART NUMBER	DESCRIPTION	QUANTITY
1	NS02-002	NUT KEPS 1/4-20 C	3
2	95807	SPACER-HANGER	3
3	SC01-068	SCREW 1/4-20 X 1 PH FHD S	3
4	96342	HANGER-BASKET 141	1
5	157356-002	HOOD-OIL DIVERTER RIGHT	1
6	LW01-012	#10 SPLIT RING SS	1
7	NS03-030	NUT #10-32 ACORN	1
8	17255	PIN-COTTER	2
9	91348	ROD-NORMALLY OPEN DRAIN	1
10	55142	COUPLING - DRAIN VALVE	1
B/11	17261	VALVE DRAIN BODY ONLY	1
12	91304	WELD ASSY-E142 DRAIN EXT SQ	2

Recommend Parts: A=Truck Stock, B=Dist. Stock



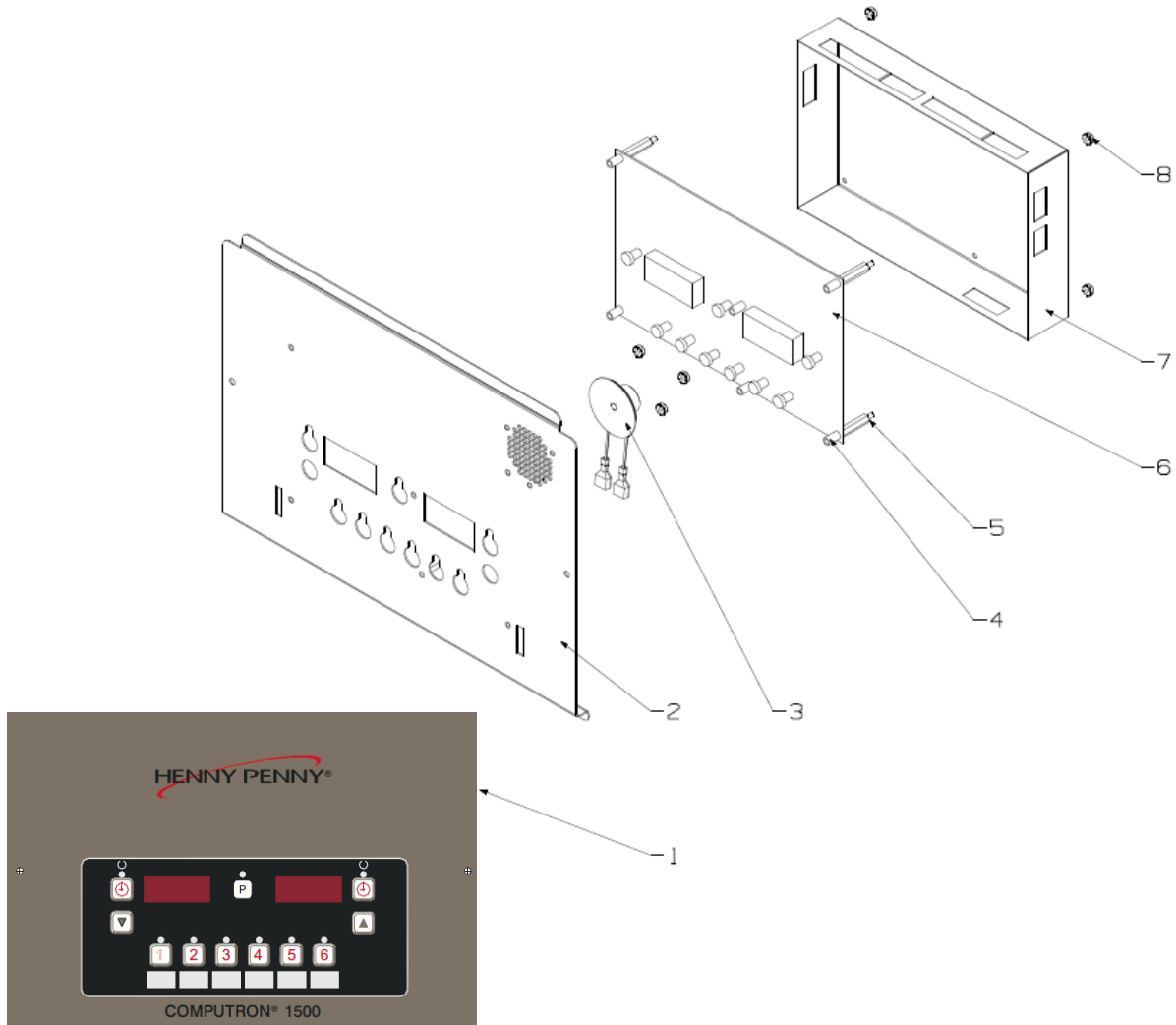
## 4-9 电器组件



ITEM	PART NUMBER	DESCRIPTION	QUANTITY
A/1	18227	SWITCH-MICRO-250F	1/VAT
A/2	51795	CONTACTOR - 24VAC	1/ VAT
A/3	65073	CONTACTOR-SQUARE D-24V	1/ VAT
A/4	EF02-125	BREAKER-PUSH BUTTON RESET	2/ WELL
A/5	86087	ASSY-24V/240V 75VA TRANSFORMER	1/ WELL
B/6	91727	RELAY-POWER DPDT 240VAC	1

Recommend Parts: A=Truck Stock, B=Dist. Stock

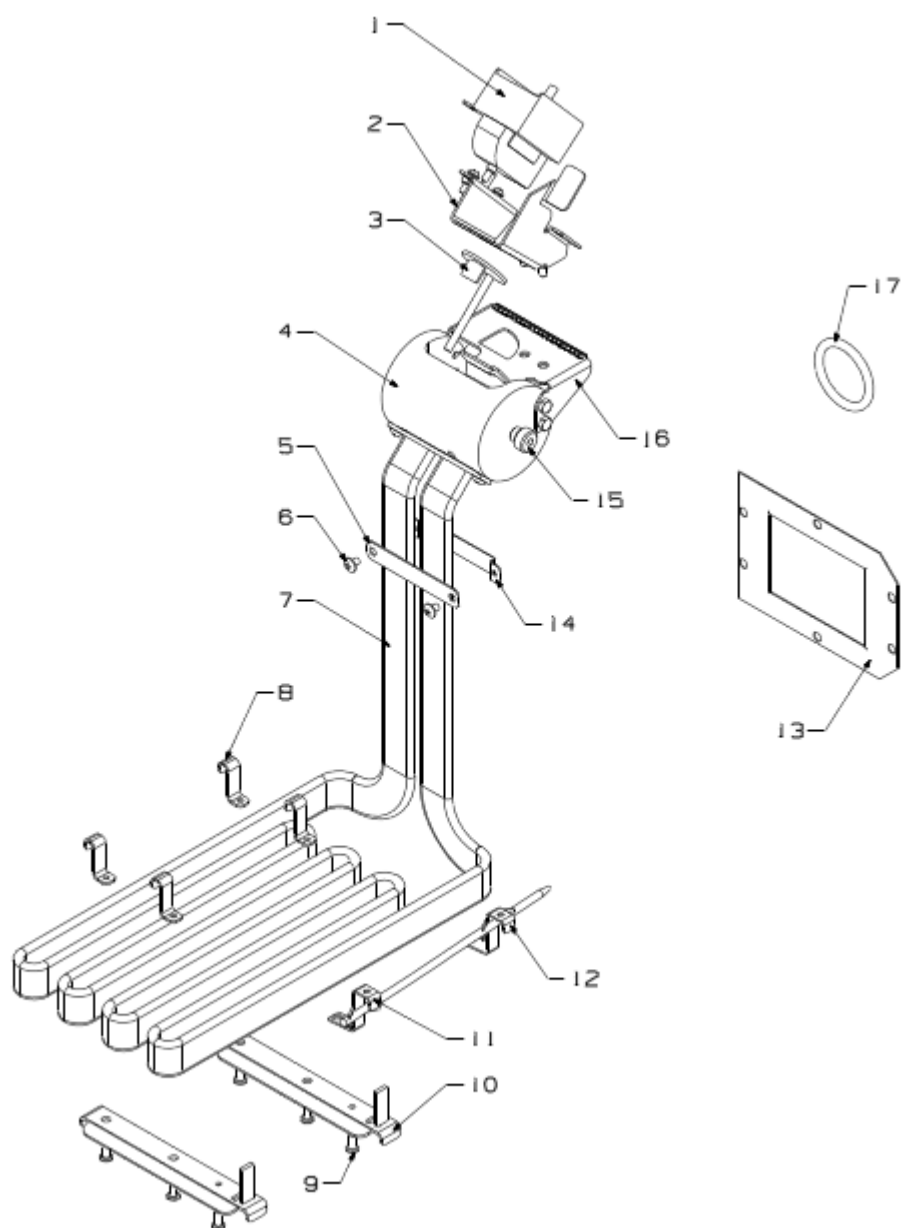
**4-10 控制面板组件**



ITEM	PART NUMBER	DESCRIPTION	QUANTITY
1	87332	DECAL-CONTROL PANEL C1500 (SN: BF1304003& after )	1
1	88742	DECAL-CONTROL PANEL C1000 (before SN: BF1304003)	1
2	87367	STUD ASSY-CONTROL C1500 (SN: BF1304003 & after )	1
2	93995	STUD ASSY-CONTROL C1000 (before SN: BF1304003)	
B/3	ME70-005	SPEAKER-16 OHM-2 INCH	1
4	ME50-053	SPACER-.250ODx.171IDx.453LG AL	6
5	ME50-062	STANDOFF-1/4 HEX M/F 1.125 LG	5
B/6	88440	CONTROL-C1500 GM PCB ASSY (SN: BF1304003& after )	1
B/6	79506	CONTROL-C1000 GM PCB ASSY (before SN: BF1304003)	1
7	89119	COVER-PCB SPLIT	1
8	NS02-005	NUT HEX KEPS #6-32 C	9

Recommend Parts: A=Truck Stock, B=Dist. Stock

## 4-11 分槽加热丝组件

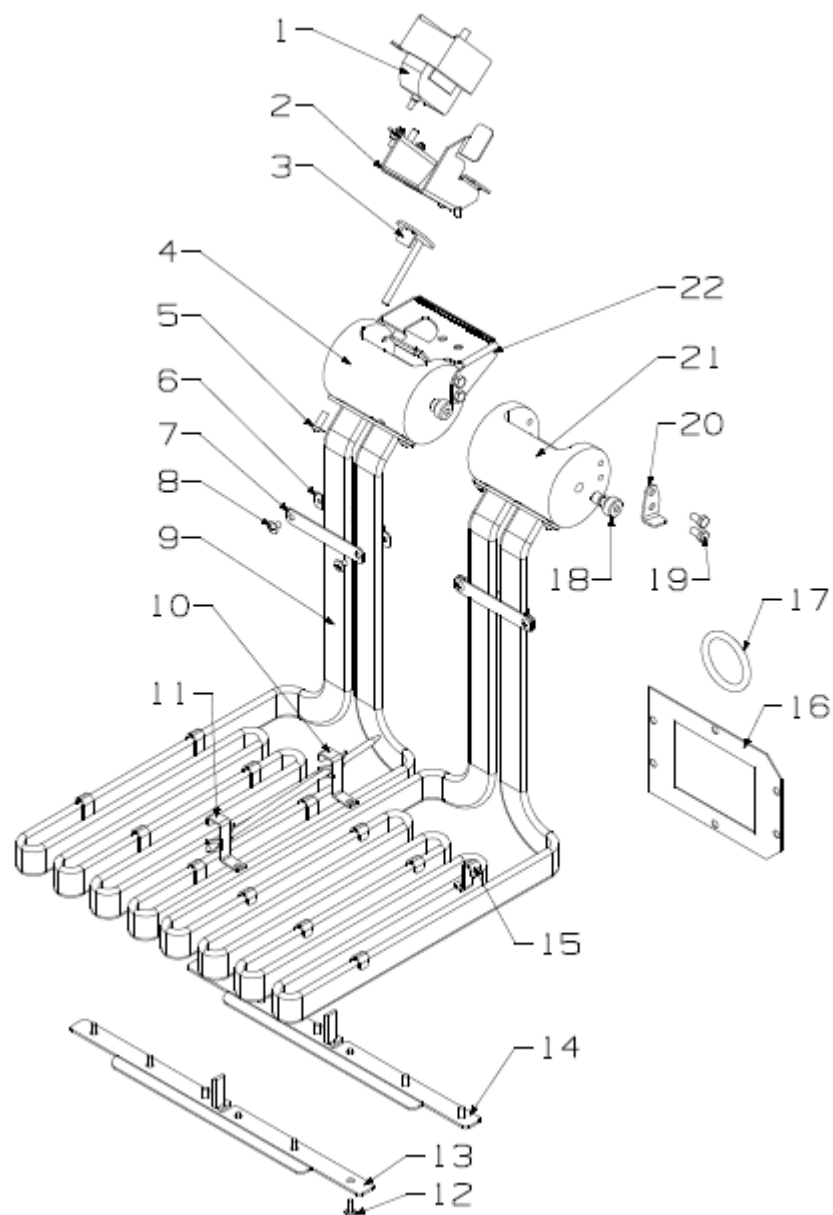


**4-11 分槽加热丝组件**

ITEM	PART NUMBER	DESCRIPTION	QUANTITY
A/1	60241	HIGH LIMIT-425 DEG CE SETTING	1
2	91635	STUD ASSY-PIVOT HI LIMIT BRKT	1
3	91624	WELD ASSY-HI LIMIT RESET PIN	1
4	74209	HOUSING-ELEMENT PIVOT	1
5	75819	PLATE-FRONT CAPILLARY	1
6	SC01-076	SCREW #8-32 X 1/4 PH THD	2
B/7	78484-005	ELEMENT-HEATING 7 KW 220V	1
8	78499	STRAP-SPREADER LVE10X	4
9	SC04-003	SCREW #8-32 X 3/8 PH PHD	6
10	91630	WELD ASSY-SPREADER SPLIT	2
11	91639	GUARD-SPLIT FRONT HI LIMIT	1
12	91641	GUARD-SPLIT REAR HI LIMIT	1
B/13	76964	GASKET-PIVOT HUB .015	1
14	75818	BRACKET-REAR CAPILLARY	1
15	75022	SCREW-REWORKED 3/8 SHOULDER	2
16	92393	BRACKET-HI-LIMIT MOUNTING	1
A/17	OR01-004	#8115 O-RING	2

Recommend Parts: A=Truck Stock, B=Dist. Stock

## 4-12 全槽加热丝组件

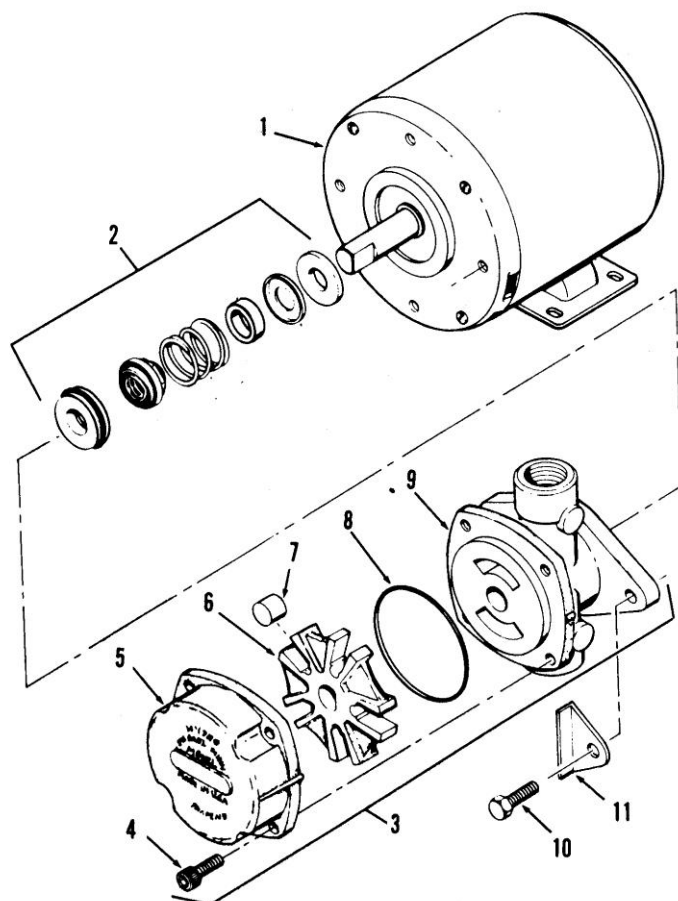


**4-12 全槽加热丝组件**

ITEM	PART NUMBER	DESCRIPTION	QUANTITY
A/1	60241	HIGH LIMIT-425 DEG CE SETTING	1
2	91635	STUD ASSY-PIVOT HI LIMIT BRKT	1
3	91624	WELD ASSY-HI LIMIT RESET PIN	1
4	74209	HOUSING-ELEMENT PIVOT	1
5	SC01074	SCREW #10-32 X 1/2 PH THD	4
6	75818	BRACKET-REAR CAPILLARY	2
7	75819	PLATE-FRONT CAPILLARY	2
8	SC01-076	SCREW #8-32 X 1/4 PH THD	4
B/9	78484-005	ELEMENT-HEATING 7 KW 220V	2
10	78615	GUARD-FULL REAR HI LIMIT LVE	1
11	78614	GUARD-FULL FRONT HI LIMIT LVE	1
12	SC04-003	SCREW #8-32 X 3/8 PH PHD	12
13	92323	WELD ASSY-SPREADER FULL	1
14	92444	WELD ASSY-SPREADER FULL OFE142	1
15	78499	STRAP-SPREADER LVE10X	12
B/16	76964	GASKET-PIVOT HUB .015	2
A/17	OR01-004	#8115 O-RING	4
18	75022	SCREW-REWORKED 3/8 SHOULDER	4
19	SC01-084	SCREW #10-32 X 3/8 HEX HD	6
20	91599	HEATER LIMIT BRACKET	1
21	82459	HOUSING-ELEMENT PIVOT RH FULL	1
22	92393	BRACKET-HI-LIMIT MOUNTING	1

Recommend Parts: A=Truck Stock, B=Dist. Stock

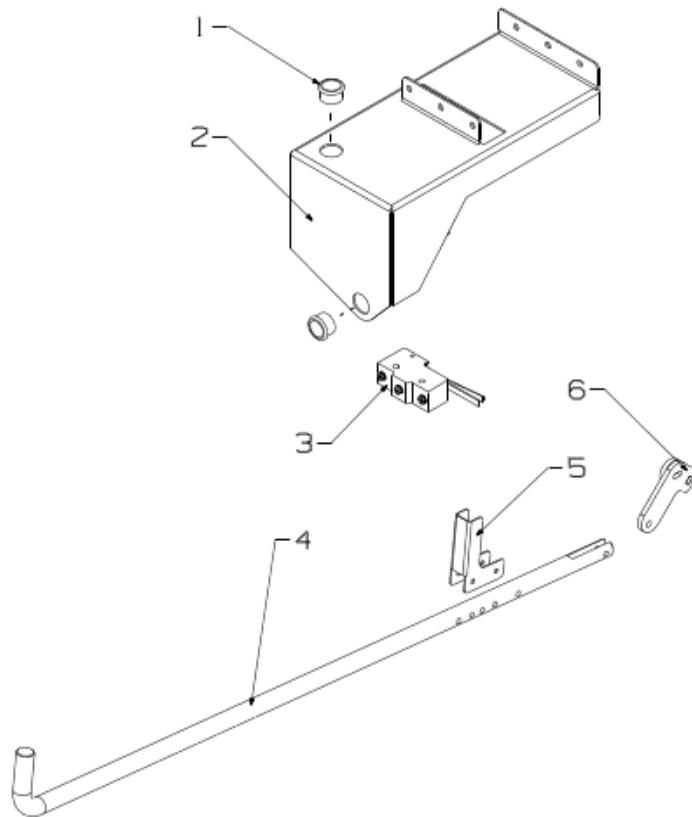
## 4-13 马达和泵



ITEM	PART NUMBER	DESCRIPTION	QUANTITY
A/1	89323	MOTOR, 1/2 HP - 50/60 H	1
A/2	17476	SEAL KIT	1
B/3	17437	PUMP ASSEMBLY	1
4	SC01-132	SCREW, Pump Cover	1
5	17451	COVER, Pump	1
B/6	17447	ROTOR, Pump	1
A/7	17446	ROLLER, Pump	5
A/8	17453	O-RING	1
9	17454	BODY, Pump	1
10	17456	SHIELD, Pump	2
11	SC01-026	SCREW, Pump Shield	1

Recommend Parts: A=Truck Stock, B=Dist. Stock

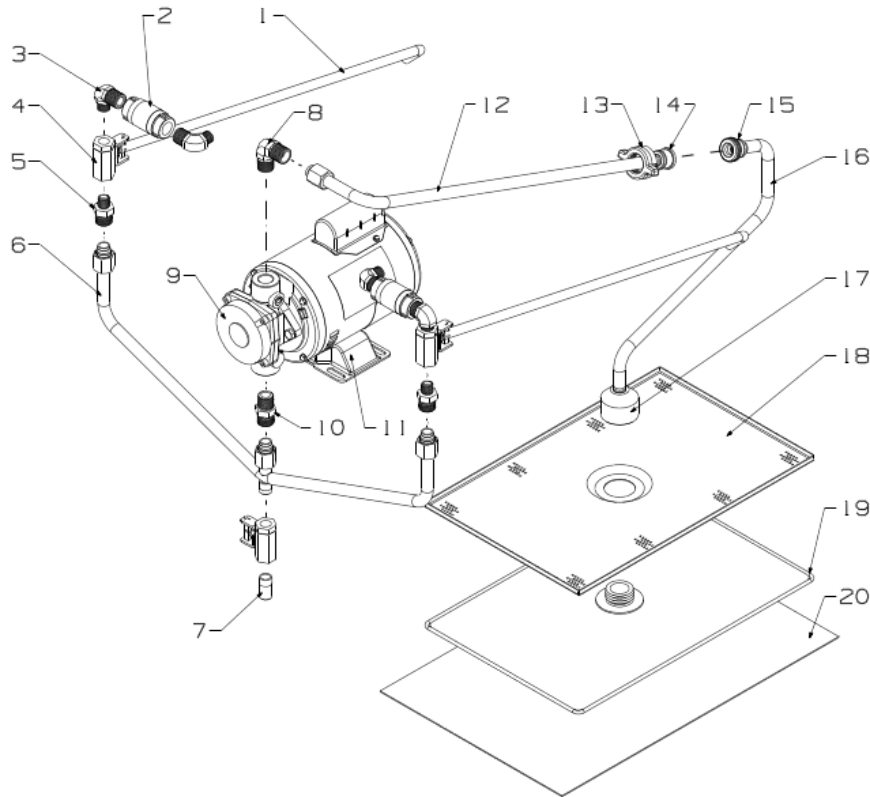
## 4-14 GDS 拉杆系统



ITEM	PART NUMBER	DESCRIPTION	QUANTITY
1	EF02-106	BUSHING-SNAP 1/2 ID PLASTIC	2
2	93927	BRACE-MOTOR ROD SUPPORT	1
A/3	95757	MICROSWITCH-RIGID LEVER	1
4	95028	ROD B-MOTOR SWICH	1
5	95031	BOARD-LIMIT	1
6	93402	WELD ASSY-ROCKER	1

Recommend Parts: A=Truck Stock, B=Dist. Stock

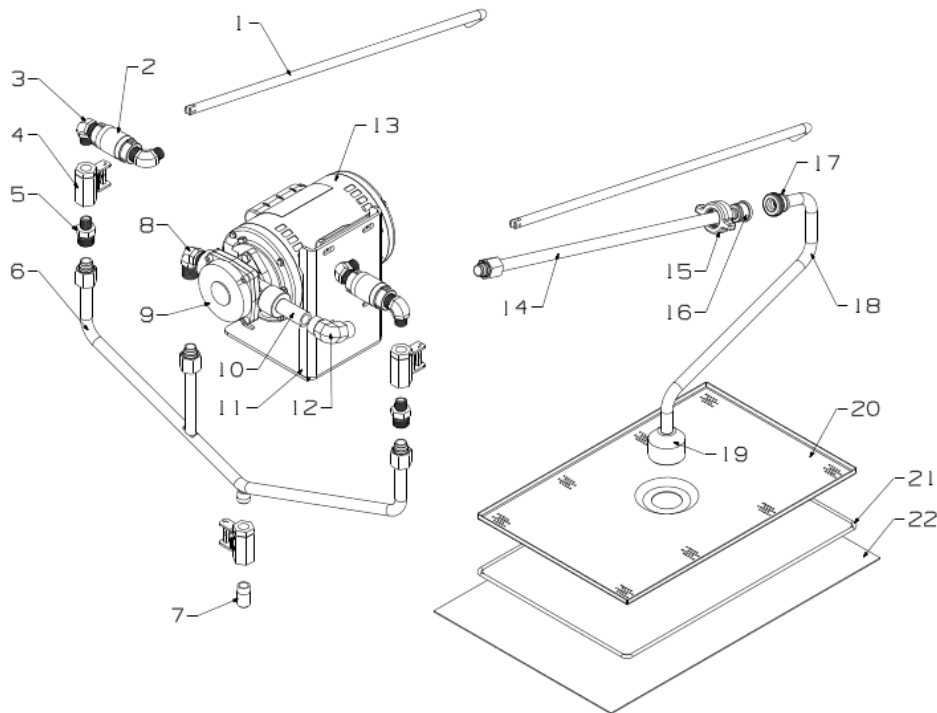


**4-15 过滤系统-OFE142 全槽 (泵垂直)**

ITEM	PART NUMBER	DESCRIPTION	QUANTITY
1	92161	ROD-RETURN OPEN DRAIN OFE142	2
A/2	74469	VALVE-1/2 CHECK	2
3	93080	ELBOW 3/8NPT MALE-1/2NPT MALE	4
B/4	17308	VALVE FILTER	3
5	91231	FITTING CONNECTOR MALE	2
6	95645	WELD TUBE ASSY-VALVE TO POT	1
7	93023	0.5 NIPPLE-3/8 NPT X 1	1
8	17407	CONNECTOR 1/2 MALE ELBOW	1
B/9	17437	ASSY-SUB PUMP 5 GPM	1
10	16807	FITTING CONNECTOR MALE	1
A/11	89323	MOTOR-1/2 HP FILTER PUMP	1
12	96066	ASSY-TOP OIL RETURN	1
13	69288	UNION-HANDLE FITTING	1
14	69287	UNION-MALE FITTING	1
15	69286	UNION-FEMALE FITTING	1
16	96068	TUBE-PICK UP	1
17	65208	NUT-FILTER-FEMALE	1
18	65211	CRUMB CATCHER	1
19	89412	ASSY-FILTER SECTION-WELDMENT	1
20	12102	PHT FILTER ENVELOPES-100CT	1

Recommend Parts: A=Truck Stock, B=Dist. Stock

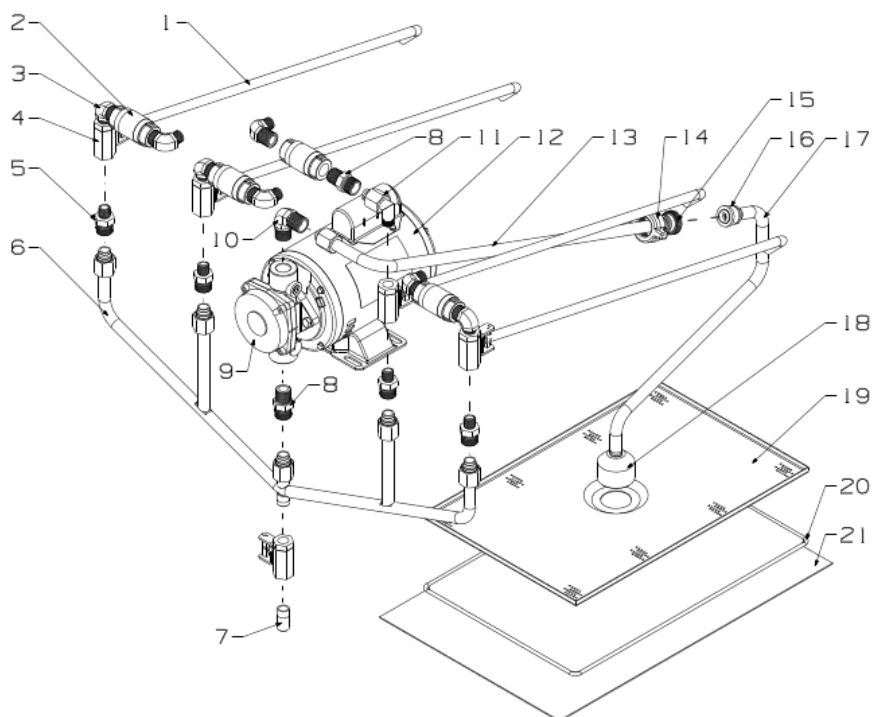
## 4-16 过滤系统-OFE142 全槽(泵水平)



ITEM	PART NUMBER	DESCRIPTION	QUANTITY
1	92161	ROD-RETURN OPEN DRAIN OFE142	2
A/2	74469	VALVE-1/2 CHECK	2
3	93080	ELBOW 3/8NPT MALE-1/2NPT MALE	4
B/4	17308	VALVE FILTER	3
5	91231	FITTING CONNECTOR MALE	2
6	95645	WELD TUBE ASSY-VALVE TO POT	1
7	93023	0.5 NIPPLE-3/8 NPT X 1	1
B/8	17407	CONNECTOR 1/2 MALE ELBOW	1
9	17437	ASSY-SUB PUMP 5 GPM	1
10	151875	1/2NPT-TUBE	1
11	151894	SOLEPLATE-MOTOR	1
12	FP01-118	ELBOW-5/8 TUBE-1/2 NPT FEMALE	1
A/13	89323	MOTOR-1/2 HP FILTER PUMP	1
14	96066	ASSY-TOP OIL RETURN	1
15	69288	UNION-HANDLE FITTING	1
16	69287	UNION-MALE FITTING	1
17	69286	UNION-FEMALE FITTING	1
18	96068	TUBE-PICK UP	1
19	65208	NUT-FILTER-FEMALE	1
20	65211	CRUMB CATCHER	1
21	89412	ASSY-FILTER SECTION-WELDMENT	1
22	12102	PHT FILTER ENVELOPES-100CT	1

Recommend Parts: A=Truck Stock, B=Dist. Stock

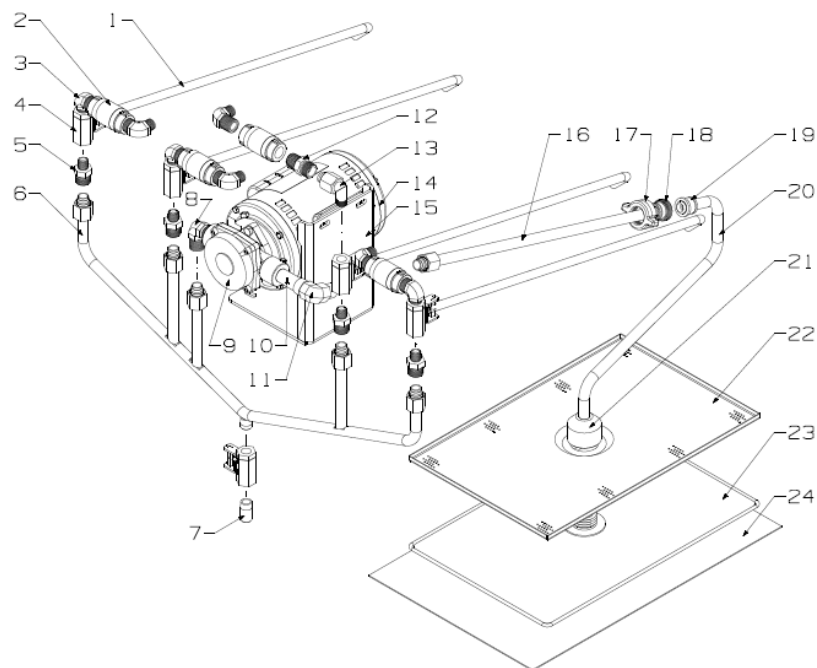
## 4-17 过滤系统-OFE142 分槽(泵垂直)



ITEM	PART NUMBER	DESCRIPTION	QUANTITY
1	92161	ROD-RETURN OPEN DRAIN OFE142	4
A/2	74469	VALVE-1/2 CHECK	4
3	93080	ELBOW 3/8NPT MALE-1/2NPT MALE	7
B/4	17308	VALVE FILTER	5
5	91231	FITTING CONNECTOR MALE	4
6	95897	WELD TUBE ASSY-VALVE TO POT	1
7	93023	0.5 NIPPLE-3/8 NPT X 1	1
8	16807	FITTING CONNECTOR MALE	2
B/9	17437	ASSY-SUB PUMP 5 GPM	1
10	17407	CONNECTOR 1/2 MALE ELBOW	1
11	93079	ASSY-TILT TUBE C	1
A/12	89323	MOTOR-1/2 HP FILTER PUMP	1
13	96066	ASSY-TOP OIL RETURN	1
14	69288	UNION-HANDLE FITTING	1
15	69286	UNION-MALE FITTING	1
16	69287	UNION-FEMALE FITTING	1
17	96068	TUBE-PICK UP	1
18	65208	NUT-FILTER-FEMALE	1
19	65211	CRUMB CATCHER	1
20	89412	ASSY-FILTER SECTION-WELDMENT	1
21	12102	PHT FILTER ENVELOPES-100CT	1

Recommend Parts: A=Truck Stock, B=Dist. Stock

## 4-18 过滤系统-OFE142 分槽(泵水平)



ITEM	PART NUMBER	DESCRIPTION	QUANTITY
1	92161	ROD-RETURN OPEN DRAIN OFE142	4
A/2	74469	VALVE-1/2 CHECK	4
3	93080	ELBOW 3/8NPT MALE-1/2NPT MALE	7
B/4	17308	VALVE FILTER	5
5	91231	FITTING CONNECTOR MALE	4
6	95897	WELD TUBE ASSY-VALVE TO POT	1
7	93023	0.5 NIPPLE-3/8 NPT X 1	1
8	17407	CONNECTOR 1/2 MALE ELBOW	1
B/9	17437	ASSY-SUB PUMP 5 GPM	1
10	151875	1/2NPT-TUBE	1
11	FP01-118	ELBOW-5/8 TUBE-1/2 NPT FEMALE	1
12	16807	FITTING CONNECTOR MALE	1
13	93079	ASSY-TILT TUBE C	1
A/14	89323	MOTOR-1/2 HP FILTER PUMP	1
15	151894	SOLEPLATE-MOTOR	1
16	96066	ASSY-TOP OIL RETURN	1
17	69288	UNION-HANDLE FITTING	1
18	69287	UNION-MALE FITTING	1
19	69286	UNION-FEMALE FITTING	1
20	96068	TUBE-PICK UP	1
21	65208	NUT-FILTER-FEMALE	1
22	65211	CRUMB CATCHER	1
23	89412	ASSY-FILTER SECTION-WELDMENT	1
24	12102	PHT FILTER ENVELOPES-100CT	1

Recommend Parts: A=Truck Stock, B=Dist. Stock

## 4-19 过滤系统-OFE141 分槽(泵垂直)

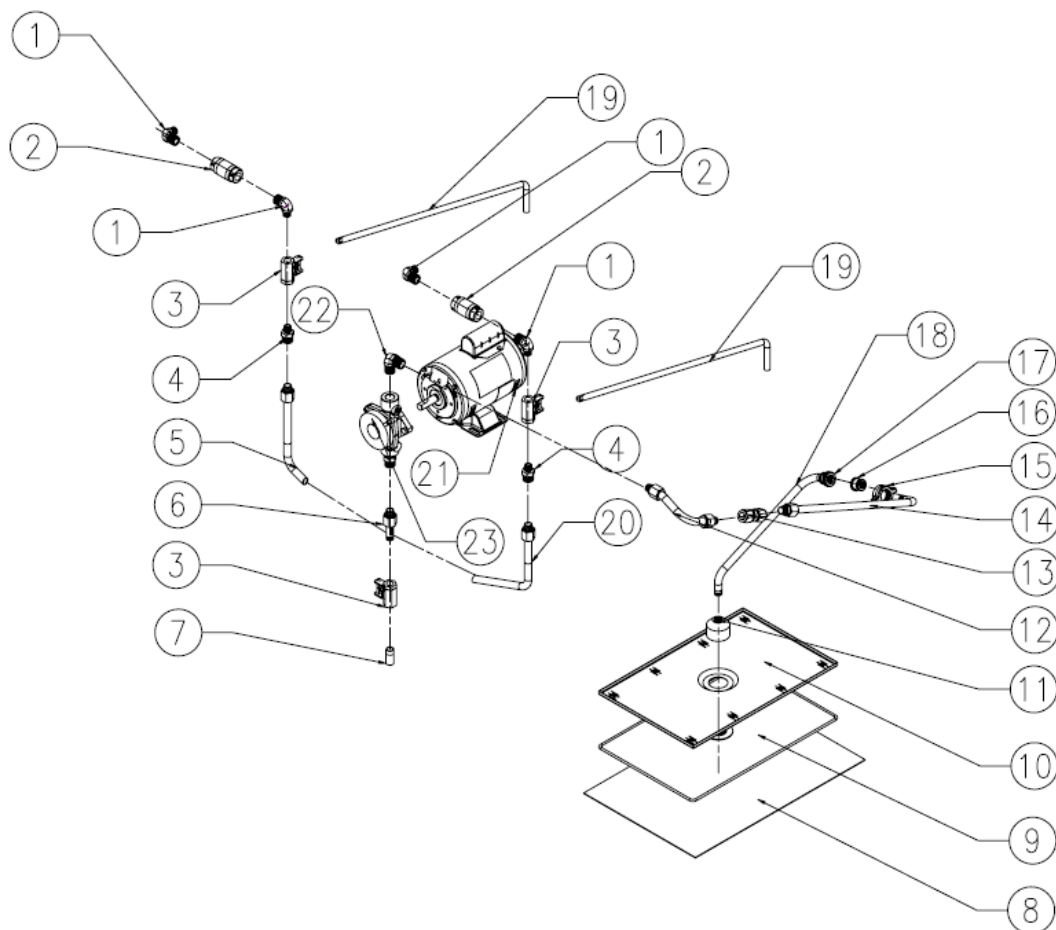
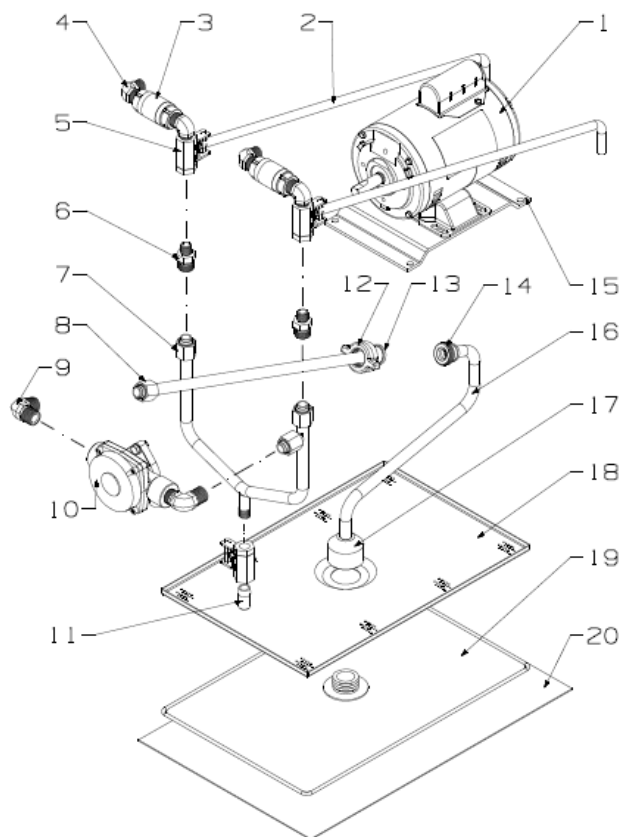


Figure 4-5

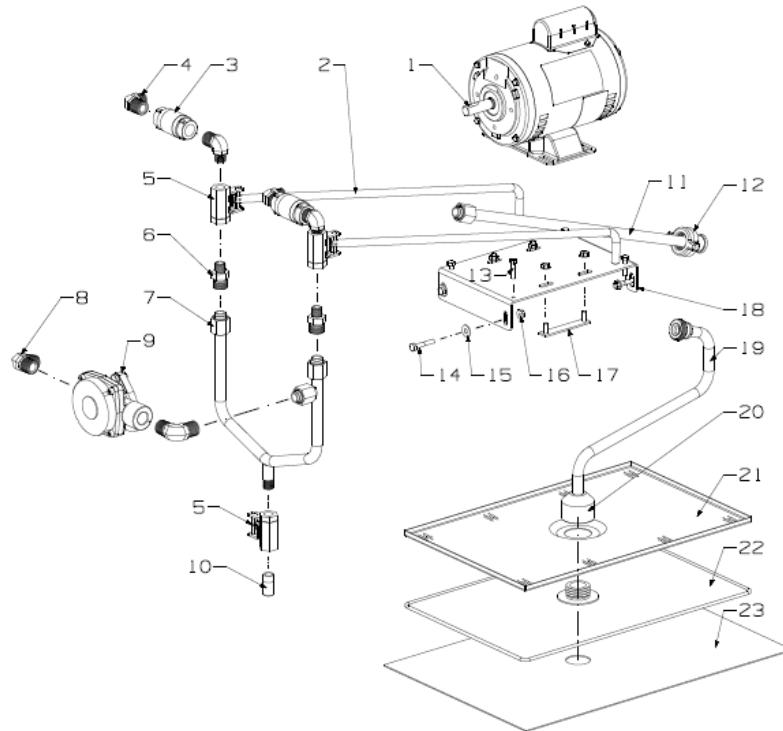
ITEM	PART NUMBER	DESCRIPTION	QUANTITY
A/1	93080	ELBOW 3/8NPT MALE-1/2NPT MALE	4
A/2	74469	VALVE-1/2 CHECK	2
B/3	17308	VALVE FILTER	3
4	91231	FITTING CONNECTOR MALE	2
5	93997	TUBE ASSY-ONE WAY TO PUMP R	1
6	93999	TUBE ASSY-PUMP TO V TUBE	1
7	93023	0.5 NIPPLE-3/8 NPT X 1SS	1
8	12102	FILTER ENVELOPE - CT OF 100	1
9	89412	ASSY-FILTER SECTION-WELDMENT	1
10	65211	CRUMB CATCHER	1
11	65208	NUT-FILTER-FEMALE	1
12	94702	TUPE A-PICK TO PUMP	1
13	FP01-202	CONNECTOR-5/8 TUBE TO 5/8 TUBE	1
14	94703	TUPE B-PICK TO PUMP	1
15	69288	UNION-HANDLE FITTING	1
16	69287	UNION-MALE FITTING	1
17	69286	UNION-FEMALE FITTING	1
18	93917	TUBE-PICK UP	1
19	91520	ROD-RETURN OPEN DRAIN OFE141	2
20	94000	TUBE ASSY-ONE WAY TO PUMP L	1
21	89323	MOTOR-1/2 HP FILTER PUMP	1
22	17407	CONNECTOR 1/2 MALE ELBOW	1
B/23	17437	PUMP SUBASSY 5GPM	1

Recommend Parts: A=Truck Stock, B=Dist. Stock

**4-20 过滤系统-OFE141 分槽 (泵水平, SN: BF1509001Before)**

ITEM	PART NUMBER	DESCRIPTION	QUANTITY
A/1	89323	MOTOR-1/2 HP FILTER PUMP	1
2	91520	ROD-RETURN OPEN DRAIN OFE141	2
A/3	74469	VALVE-1/2 CHECK	2
4	93080	ELBOW 3/8NPT MALE-1/2NPT MALE	4
B/5	17308	VALVE FILTER	3
6	91231	FITTING CONNECTOR MALE	2
7	151899	WELD ASSY-POT TO PUMP	1
8	151919	TUBE ASSY-RETURN	1
9	17407	CONNECTOR 1/2 MALE ELBOW	2
B/10	17437	ASSY-SUB PUMP 5 GPM	1
11	93023	0.5 NIPPLE-3/8 NPT X 1 SS	1
12	69288	UNION-HANDLE FITTING	1
13	69287	UNION-MALE FITTING	1
14	69286	UNION-FEMALE FITTING	1
15	151917	BRACE-PUMP MOTOR MOUNTING	1
16	151918	TUBE-PICK UP	1
17	65208	NUT-FILTER-FEMALE	1
18	65211	CRUMB CATCHER	1
19	89412	ASSY-FILTER SECTION-WELDMENT	1
20	12102	PHT FILTER ENVELOPES-100CT	1

Recommend Parts: A=Truck Stock, B=Dist. Stock

**4-20 过滤系统-OFE141 分槽(泵水平, SN: BF1509001&After)**

ITEM	PART NUMBER	DESCRIPTION	QUANTITY
A/1	89323	MOTOR-1/2 HP FILTER PUMP	1
2	91520	ROD-RETURN OPEN DRAIN OFE141	2
A/3	74469	VALVE-1/2 CHECK	2
4	93080	ELBOW 3/8NPT MALE-1/2NPT MALE	4
B/5	17308	VALVE FILTER	3
6	91231	FITTING CONNECTOR MALE	2
7	151899	WELD ASSY-POT TO PUMP	1
8	17407	CONNECTOR 1/2 MALE ELBOW	2
B/9	17437	ASSY-SUB PUMP 5 GPM	1
10	93023	0.5 NIPPLE-3/8 NPT X 1 SS	1
11	151919	TUBE ASSY-RETURN	1
12	69289	ASSY-FILTER UNION	1
13	SC01-039	SCREW 1/4-20 X 1 HEX HD	4
14	SC01-104	SCREW 1/4-20 X 1 1/2 HEX HD	4
15	WA01-002	WASHER 1/4 TYPE A-SERIES	4
16	NS04-005	SERRATED FLANGED LOCKNUT1/4-20	8
17	92930	STUD ASSY-PLATE PUMP MOUNTING	2
18	156093-002	FORM-BRACE-PUMP MOTOR MOUTNING	1
19	151918	TUBE-PICK UP	1
20	65208	NUT-FILTER-FEMALE	1
21	65211	CRUMB CATCHER	1
22	89412	ASSY-FILTER SECTION-WELDMENT	1
23	12102	PHT FILTER ENVELOPES-100CT	1

Recommend Parts: A=Truck Stock, B=Dist. Stock

## 4-21 过滤系统-OFE141 全槽(泵垂直)

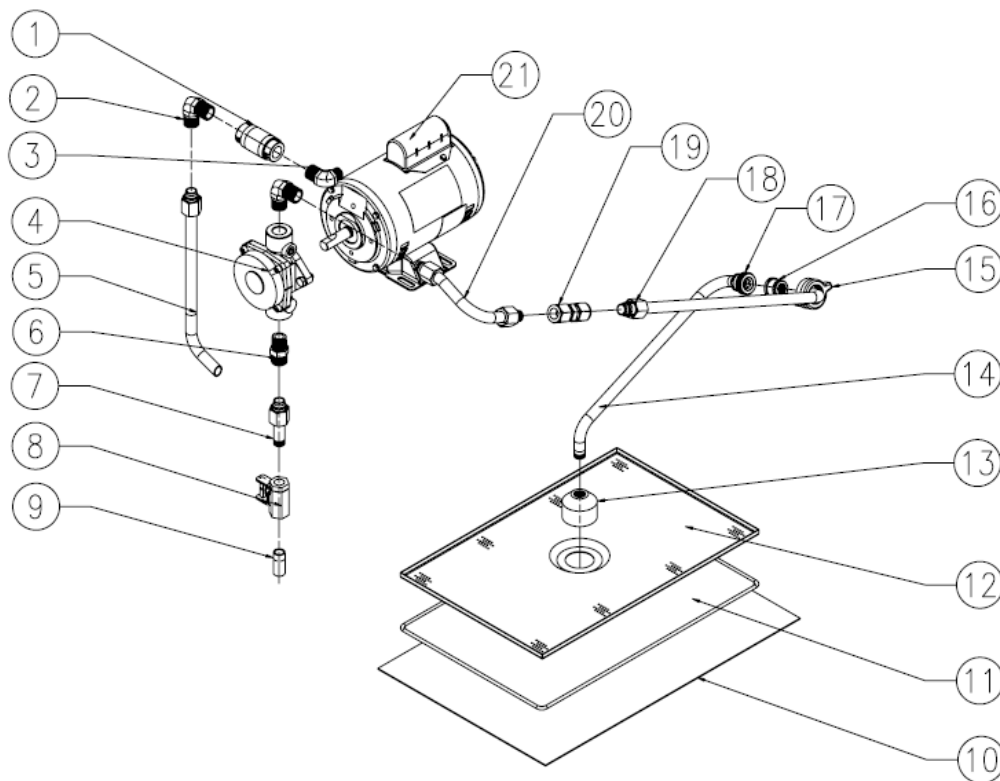


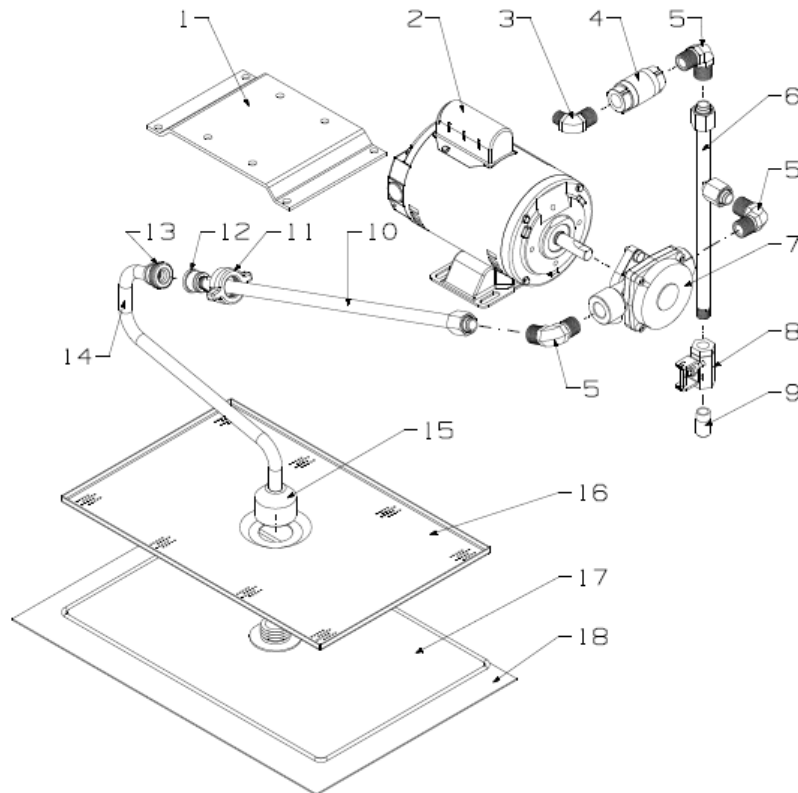
Figure 4-10

ITEM	PART NUMBER	DESCRIPTION	QUANTITY
A/1	74469	VALVE-1/2 CHECK	1
2	17407	CONNECTOR 1/2 MALE ELBOW	2
3	93080	ELBOW 3/8NPT MALE-1/2NPT MALE	1
4	17437	PUMP SUBASSY 5GPM	1
5	93890	TUBE ASSY-ONE WAY TO PUMP	1
6	16807	FITTING CONNECTOR MALE	1
7	93086	WELD ASSY-PUMP TO V TUBE	1
B/8	17308	VALVE FILTER	1
9	93023	0.5 NIPPLE-3/8 NPT X 1SS	1
10	12102	FILTER ENVELOPE - CT OF 100	1
11	89412	ASSY-FILTER SECTION-WELDMENT	1
12	65211	CRUMB CATCHER	1
13	65208	NUT-FILTER-FEMALE	1
14	93917	TUBE-PICK UP	1
15	69288	UNION-HANDLE FITTING	1
16	69287	UNION-MALE FITTING	1
17	69286	UNION-FEMALE FITTING	1
18	94703	TUPE B-PICK TO PUMP	1
19	FP01-202	CONNECTOR-5/8 TUBE TO 5/8 TUBE	1
20	94702	TUPE A-PICK TO PUMP	1
A/21	89323	MOTOR-1/2 HP FILTER PUMP	1

Recommend Parts: A=Truck Stock,B=Dist. Stock

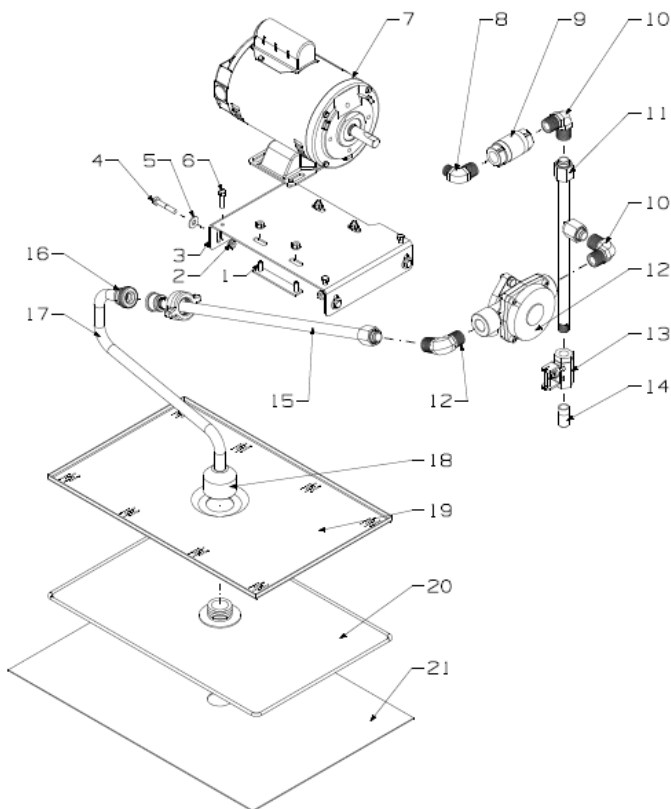


#### 4-22 过滤系统-OFE141 全槽(泵水平, SN: BF1509001&Before)



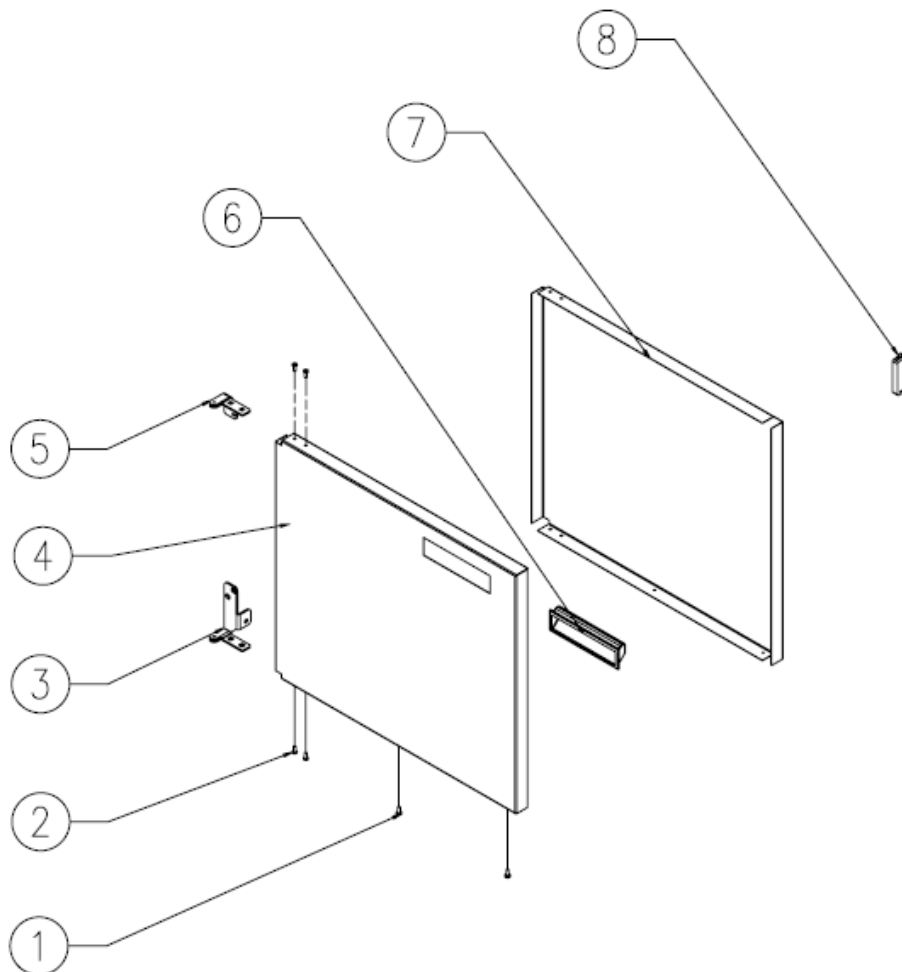
ITEM	PART NUMBER	DESCRIPTION	QUANTITY
1	151917	BRACE-PUMP MOTOR MOUNTING	1
A/2	89323	MOTOR-1/2 HP FILTER PUMP	1
3	93080	ELBOW 3/8NPT MALE-1/2NPT MALE	1
A4	74469	VALVE-1/2 CHECK	1
5	17407	CONNECTOR 1/2 MALE ELBOW	3
6	151950	WELD ASSY-POT TO PUMP	1
B/7	17437	ASSY-SUB PUMP 5 GPM	1
B/8	17308	VALVE FILTER	1
9	93023	0.5 NIPPLE-3/8 NPT X 1 SS	1
10	151919	TUBE ASSY-RETURN	1
11	69288	UNION-HANDLE FITTING	1
12	69287	UNION-MALE FITTING	1
13	69286	UNION-FEMALE FITTING	1
14	151917	BRACE-PUMP MOTOR MOUNTING	1
15	65208	NUT-FILTER-FEMALE	1
16	65211	CRUMB CATCHER	1
17	89412	ASSY-FILTER SECTION-WELDMENT	1
18	12102	PHT FILTER ENVELOPES-100CT	1

Recommend Parts: A=Truck Stock, B=Dist. Stock

**4-22 过滤系统-OFE141 全槽(泵水平, SN: BF1509001&After)**

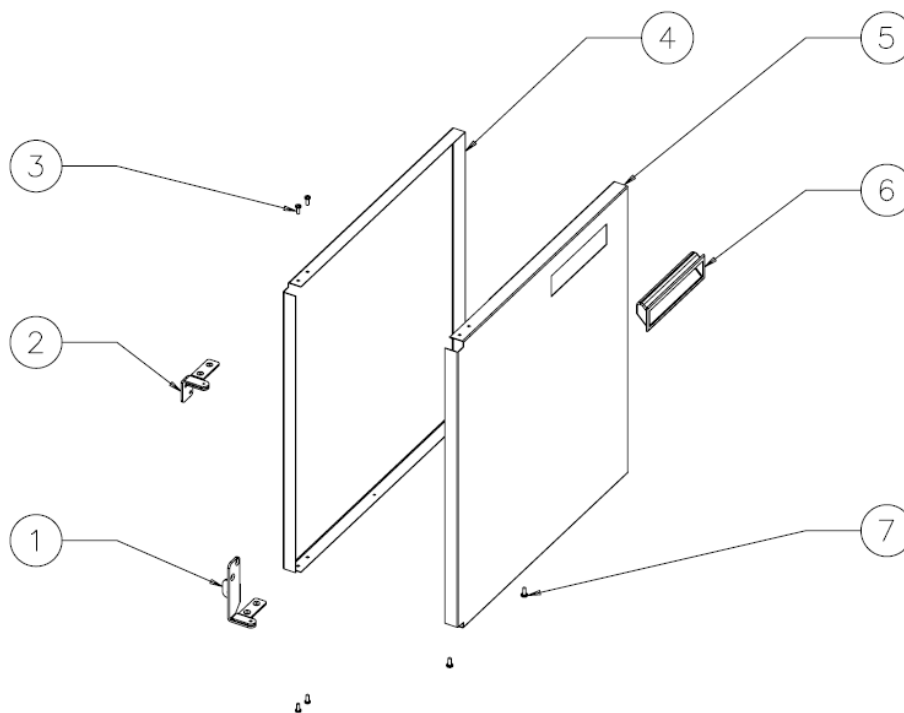
ITEM	PART NUMBER	DESCRIPTION	QUANTITY
1	92930	STUD ASSY-PLATE PUMP MOUNTING	2
2	NS04-005	SERRATED FLANGED LOCKNUT1/4-20	8
3	156113-002	FORM-BRACE-PUMP MOTOR MOUNTING	1
4	SC01-039	SCREW 1/4-20 X 1 HEX HD	4
5	WA01-002	WASHER 1/4 TYPE A-SERIES	4
6	SC01-104	SCREW 1/4-20 X 1 1/2 HEX HD	4
A/7	89323	MOTOR-1/2 HP FILTER PUMP	1
8	93080	ELBOW 3/8NPT MALE-1/2NPT MALE	1
A/9	74469	VALVE-1/2 CHECK	1
10	17407	CONNECTOR 1/2 MALE ELBOW	3
11	151950	WELD ASSY-POT TO PUMP	1
B/12	17437	ASSY-SUB PUMP 5 GPM	1
B/13	17308	VALVE FILTER	1
14	93023	0.5 NIPPLE-3/8 NPT X 1 SS	1
15	151919	TUBE ASSY-RETURN	1
16	69289	ASSY-FILTER UNION	1
17	151918	TUBE-PICK UP	1
18	65208	NUT-FILTER-FEMALE	1
19	65211	CRUMB CATCHER	1
20	89412	ASSY-FILTER SECTION-WELDMENT	1
21	12102	PHT FILTER ENVELOPES-100CT	1

Recommend Parts: A=Truck Stock, B=Dist. Stock

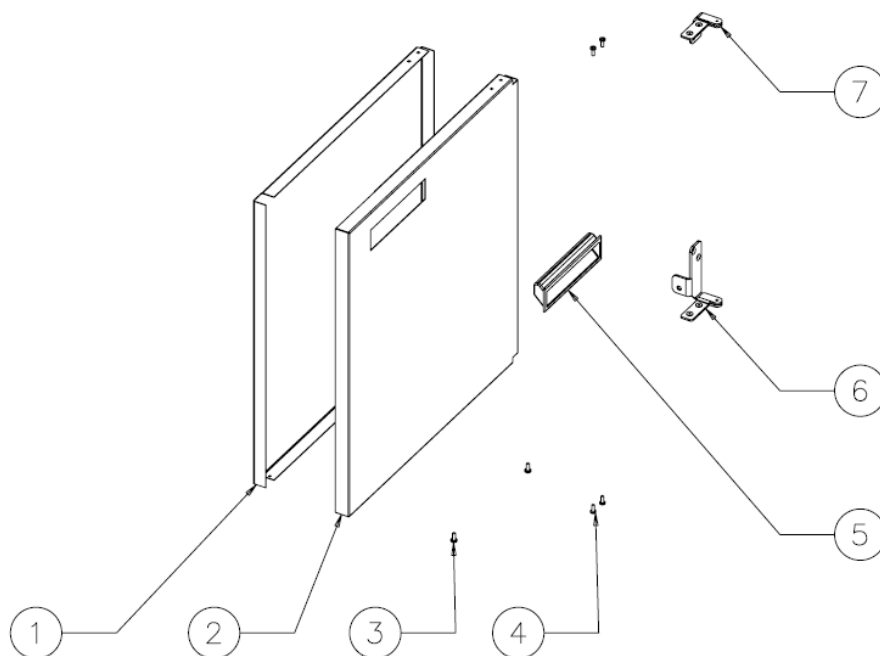
**4-23 门组件-OFE141****Figure 4-4**

ITEM	PART NUMBER	DESCRIPTION	QUANTITY
1	SC04-003	SCREW #8-32 X 3/8 PH PHD S	2
2	SC01-049	SCREW #6-32 X 3/8 PH PHD C	4
3	21034	ASSY-HINGE BOTTOM	1
4	88699	PANEL-OUTER DOOR RH	1
5	17618	PANEL-INNER DOOR RH	1
6	41836	POCKET PULL	1
7	88698	PANEL-INNER DOOR RH	1
8	17002	MAGNET	1

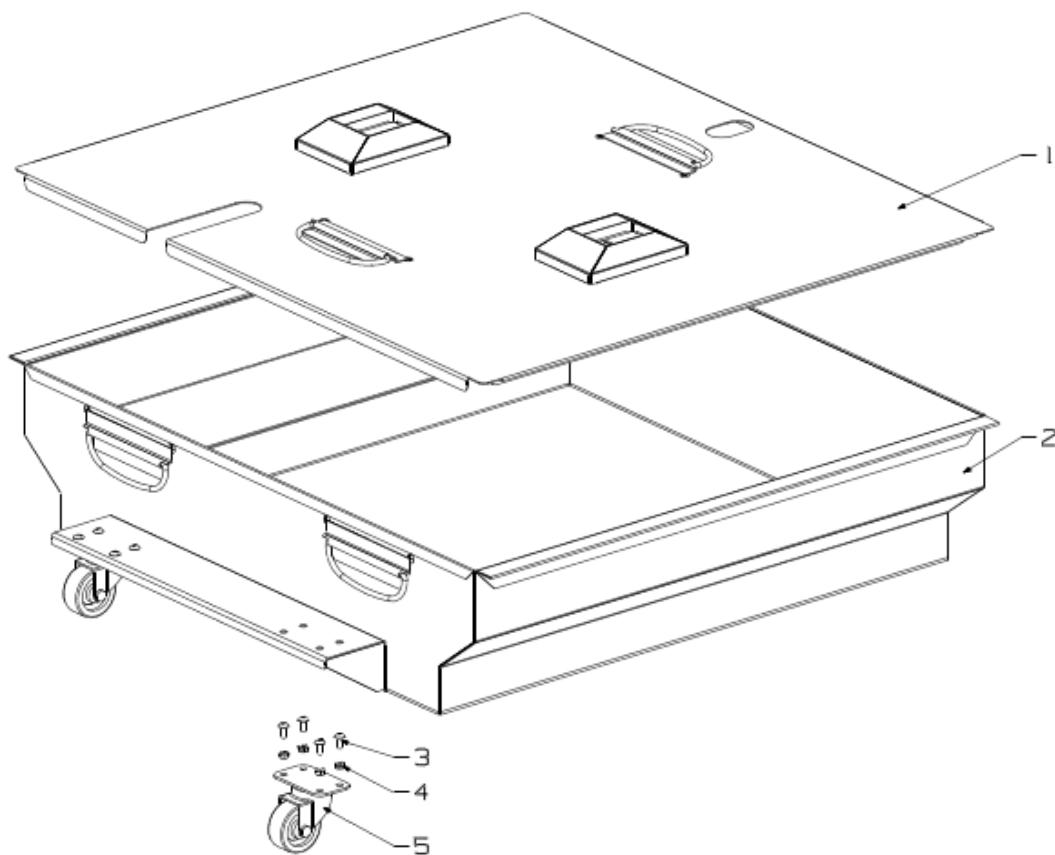
**4-24 左门组件- OFE142**



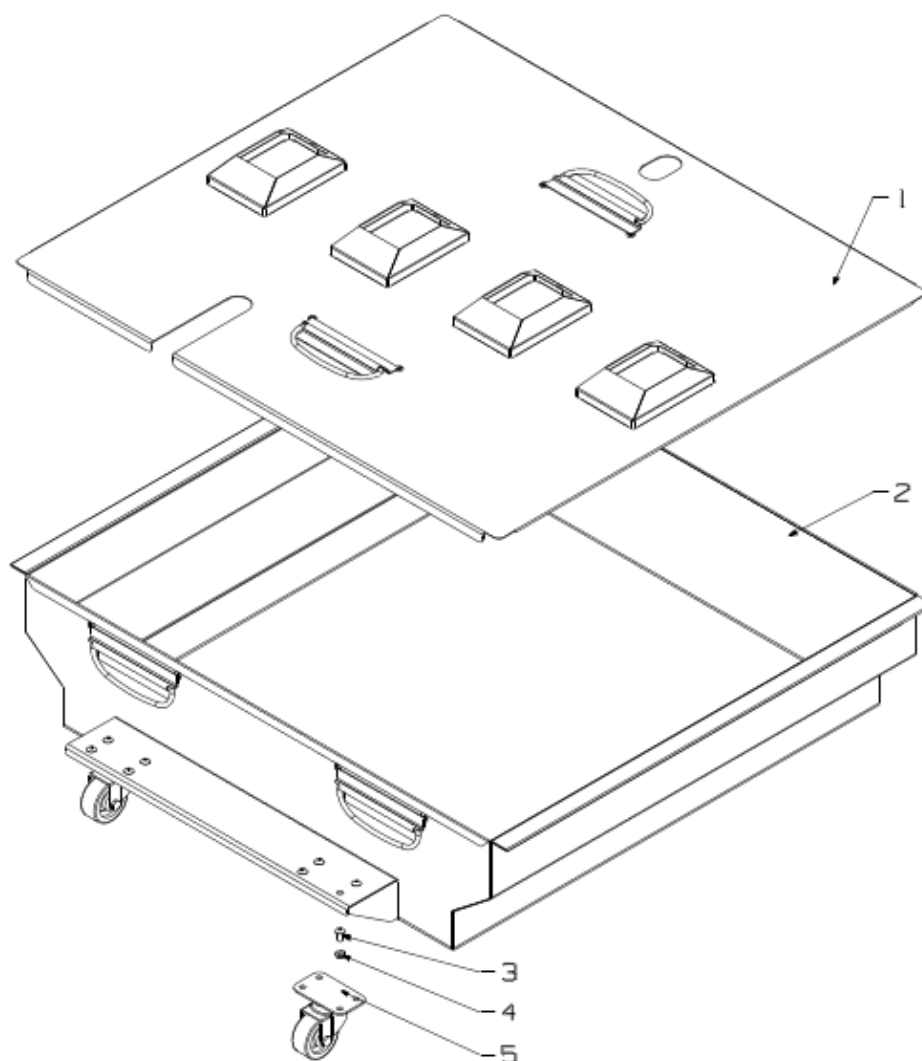
ITEM	PART NUMBER	DESCRIBE	QUANTITY
1	21034	BOTTOM HINGE ASSY	1
2	17618	TOP HINGE ASSY	1
3	SC01-049	SCREW #6-32 X 3/8 PH PHD C	4
4	84847	PANEL-INNER DOOR LH	1
5	84848	PANEL-OUTER DOOR_LH	1
6	41836	POCKET PULL	1
7	SC04-003	SCREW #8-32 X 3/8 PH PHD S	2



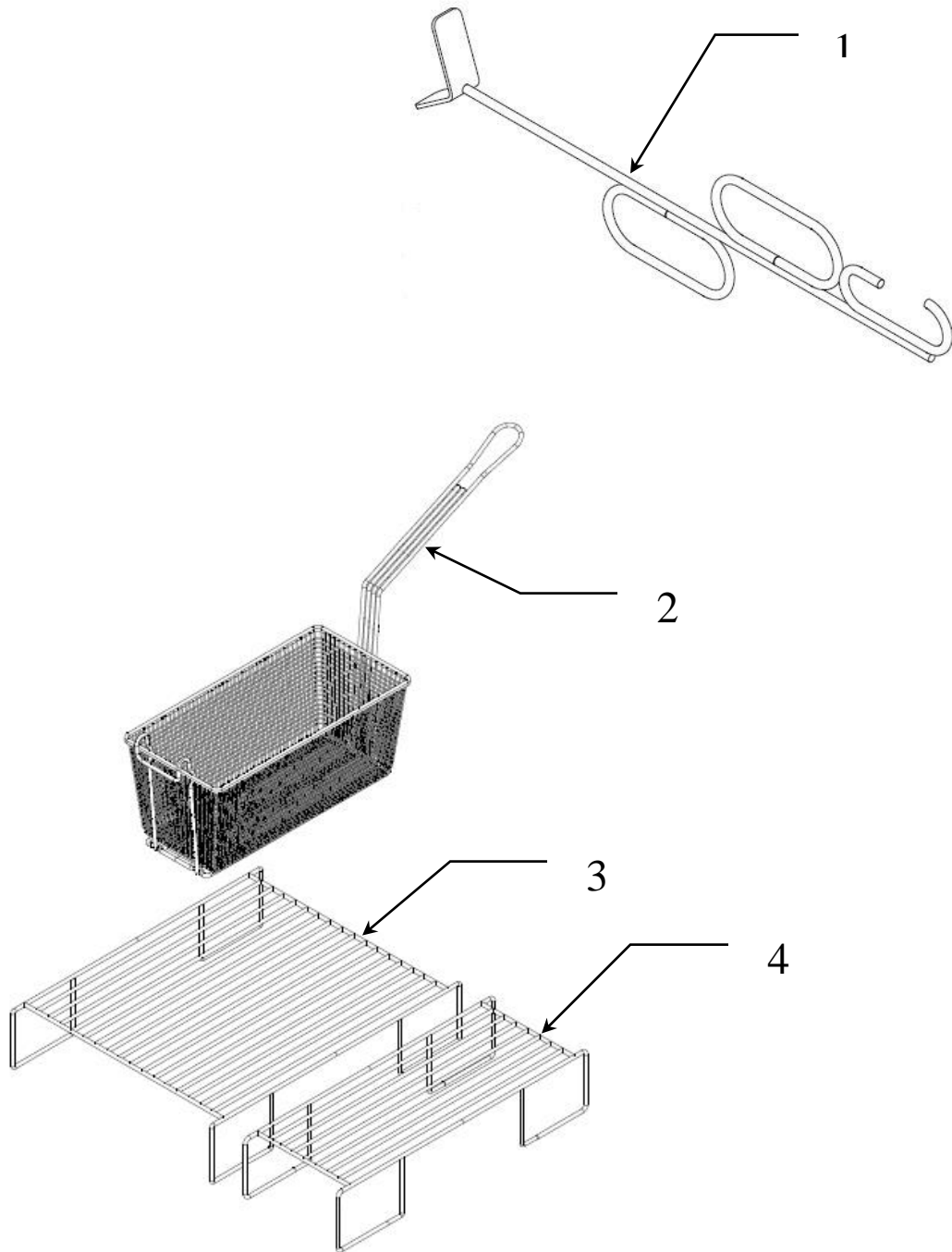
ITEM	PART NUMBER	DESCRIBE	QUANTITY
1	84849	PANEL-INNER DOOR RH	1
2	84850	PANEL-OUTER DOOR RH	1
3	SC04-003	SCREW #8-32 X 3/8 PH PHD S	2
4	SC01-049	SCREW #6-32 X 3/8 PH PHD C	4
5	41836	POCKET PULL	1
6	21433	BOTTOM HINGE ASSY-RH 342	1
7	17620	BOTTOM HINGE ASSY	1



ITEM	PART NUMBER	DESCRIPTION	QUANTITY
1	155830	ASSY-DRAIN PAN COVER-142F	1
2	92163	WELD ASSY-DRAIN PAN-142F	1
3	SC01-074	SCREW #10-32 X 1/2 PH THD S	16
4	NS02-001	NUT HEX KEPS #10-32 C	16
5	19004	CASTER-2 IN SWIVEL MTG PLATE	4



ITEM	PART NUMBER	DESCRIPTION	QUANTITY
1	155899	ASSY- DRAIN PAN COVER	1
2	92163	WELD ASSY-DRAIN PAN-142F	1
3	SC01-074	SCREW #10-32 X 1/2 PH THD S	16
4	NS02-001	NUT HEX KEPS #10-32 C	16
5	19004	CASTER-2 IN SWIVEL MTG PLATE	4



ITEM	PART NUMBER	DESCRIPTION	QUANTITY
B/1	74725	HANDLE-ELEMENT LIFT-LVE10X	1
B/2	92476	BASKET - HALF	2/FULL , 1/SPLIT
B/3	88521	SUPPORT-FRY BASKET	1/FULL VAT
B/4	91142	SUPPORT-FRY BASKET OFE141	1/SPLIT VAT

Recommend Parts: A=Truck Stock, B=Dist. Stock

**第五部份. 故障排除**



### 5-1. 故障诊断指南

问题	原因	修正
电源打开，不起作用	<ul style="list-style-type: none"> <li>• 电路断开</li> </ul>	<ul style="list-style-type: none"> <li>• 检查插座有没有插好</li> <li>• 检查断路器或保险器</li> </ul>
指示灯亮，但炸油不热	<ul style="list-style-type: none"> <li>• 上限电路断路 错误信息“E10”</li> <li>• 泄油阀开 错误信息“E15”</li> </ul>	<ul style="list-style-type: none"> <li>• 重起温度控制部分的上限电路</li> <li>• 泄油阀旋到关的位置</li> </ul>
油冒泡或沸腾	<ul style="list-style-type: none"> <li>• 油里有水</li> <li>• 油不好</li> <li>• 过滤不好</li> <li>• 过滤后锅内有残渣</li> </ul>	<ul style="list-style-type: none"> <li>• 在烹饪周期后，排油并清洁</li> <li>• 使用推荐油</li> <li>• 参考油过滤程序</li> <li>• 清洁油炸锅，完全凉干</li> </ul>
炸油不能排出	<ul style="list-style-type: none"> <li>• 泄油阀堵塞</li> </ul>	<ul style="list-style-type: none"> <li>• 打开泄油阀并用刷子彻底清洗</li> </ul>
过滤开关处于开启状态，但电机不工作	<ul style="list-style-type: none"> <li>• 电机热保护</li> </ul>	<ul style="list-style-type: none"> <li>• 参见过滤泵保护—说明书重起，手动重启过滤泵</li> </ul>

## NOTICE

更多的维修信息可以从说明书中获取，也可以登陆我公司网站[www.hennypenny.com](http://www.hennypenny.com)或拨打电话 1-800-417-8405 或 1-937-456-8405。

### 5-2. 错误代码

如果控制系统无法工作，数字显示器将显示“错误信息”。这些信息由各代码构成：包括

“E4”、“E5”、“E6”、“E10”、“E15”、“E20”、“E-31”、“E41”、“E46”、“E54”、“E-70-A&B”和“E92”。当错误代码显示时，提示音将响起；这种情况下，按任意键可取消提示音。

显示	原因	控制板修正
“E-4”	控制板过热	关闭开关，接着打开开关；如果显示器显示“E-4”，则控制板过热；检查阻碍装置各边的遮光栅格
“E-5”	炸油过热	关闭开关，接着打开开关；如果显示器显示“E-5”，加检查加热回路和温度传感器
“E-6 A”	温度传感器断路	关闭开关，接着打开开关；如果显示器显示“E-6”，检查温度传感器；可参照技术手册予以更换。
“E-6 B”	温度传感器短路	关闭开关，接着打开开关；如果显示器显示“E-6”，检查温度传感器；可参照技术手册予以更换。
“E-10”	上限电路	通过手动推启复位键，重置上限电路；如果未能重置上限电路，必须参照技术手册予以更换。
“E-15”	排油阀故障	使用阀杆关闭排油阀；如果显示器仍显示“E-15”，检查排油阀微型开关；参照技术手册
“E-41”， “E-46”	编程故障	关闭开关，接着打开开关；如果显示器显示任一错误代码，试着重新初始化控制板（特殊程序部分）；如果错误代码依旧显示，可参照技术手册更换控制板

显示	原因	控制板修正
“E-31”	风扇跳线丢失或者跳线断开	关闭开关，然后打开。如果故障仍然显示“E-31”，检查电脑板上跳线J2和J4是否连接。如果跳线连接正常，请更换电脑板。
“E-54”	电脑板组件故障	关闭开关，然后打开。如果故障代码仍在，请更换电脑板。
“E-70”	开关或者开关连接线故障，电脑板输入输出故障	沿着开关连接线，检查连接线和开关是否正常。如果开关和连接线正常，请更换电脑板。